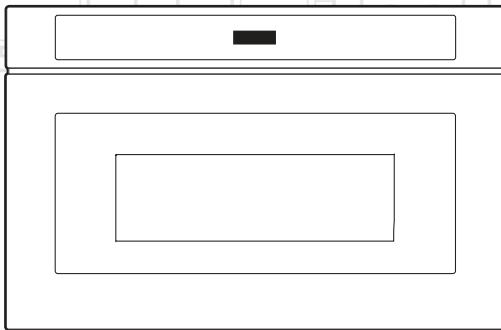




Drawer Microwave

Installation Manual



MWDR24100SS

EN | FR

TINSKB300MRR0

beko



CONTENTS

- 1 IMPORTANT SAFETY INSTRUCTIONS3**
- 2 UNPACKING YOUR DRAWER MICROWAVE4**
 - Important Notes to the Installer4
 - Important Notes to the Consumer4
- 3 INFORMATION YOU NEED TO KNOW5**
 - Clearances and Dimensions.....5
 - GROUNDING INSTRUCTIONS5
 - Drawer Microwave Measurements6
- 4 INSTALLATION INSTRUCTIONS.....7**
 - Anti-Tip Block.....7
 - Electrical Outlet.....7
 - Drawer Installation8
 - Model and Serial Number Location8
 - Care, Cleaning and Maintenance8
 - Before You Call for Service.....8





1

IMPORTANT SAFETY INSTRUCTIONS

IMPORTANT—Please Read and Follow

- Before beginning, read these instructions thoroughly and carefully.
- Because the kit includes metal parts, caution should be used in handling and installation to avoid the possibility of injury.
- Do not remove permanently affixed labels, warnings or plates from the product as this may void the warranty.
- Observe all local and national codes, requirements and ordinances.
- Installers should leave these instructions with the consumer who should retain them for the local inspector's use and for future reference.
- For SAFETY CONSIDERATIONS do not install drawer in any combustible cabinetry, which is not in accord with the stated clearances and dimensions on page 6, See Figure 1.

- **WARNING:** If the information in this manual is not followed exactly, a fire or electrical shock may result that could cause property damage, personal injury or death.
- **WARNING:** To reduce the risk of tipping, the Drawer Microwave must be secured by a properly installed Anti-Tip block.
- This appliance must be electrically grounded in accordance with local codes.
- Make sure the wall coverings and the cabinets around the Drawer Microwave can withstand the heat generated by the appliance.
- **WARNING:** Never leave children alone or unattended in the area where a appliance is in use. Never leave the drawer open when the microwave is unattended.
- **WARNING:** Stepping, leaning or sitting on the drawer may result in serious injuries and can also cause damage to the appliance.
- **Do not use the Drawer Microwave as a storage space.** This creates a potentially hazardous situation.
- Check that the time-of-day is in the display. If not, touch Stop/Clear to prevent unintended use.

WARNING

ELECTRICAL GROUNDING INSTRUCTIONS

This oven must be electrically grounded in accordance with local codes or, in the absence of local codes, with the National Electrical Code, ANSI/NFPA 70 – latest edition.

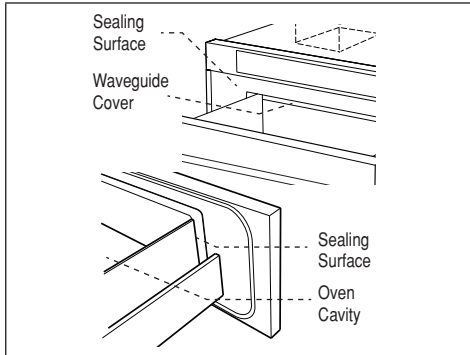
WARNING

DO NOT USE AN EXTENSION CORD WITH THIS APPLIANCE. SUCH USE MAY RESULT IN FIRE, ELECTRICAL SHOCK OR OTHER PERSONAL INJURY.



2 UNPACKING YOUR DRAWER MICROWAVE

- Remove all packing materials from inside the Drawer Microwave. **DO NOT REMOVE THE WAVEGUIDE COVER**, which is located on the top of the appliance.



- Remove the feature sticker, if there is one. Check the drawer for any damage, such as misaligned or bent drawer, damaged drawer seals and sealing surfaces, broken or loose drawer guides and dents inside the cavity or on the front side of the drawer. If there is any damage, do not operate the appliance and contact your **AUTHORIZED SERVICER**.

Important Notes to the Installer

- Read all of the Installation Manual before installing the Drawer Microwave.
- Remove all packing material before connecting the electrical supply.
- Observe all governing codes and ordinances.
- Be sure to leave these instructions with the consumer.

Important Notes to the Consumer

Keep this manual with your Use and Care Manual for future reference.

- As when using any microwave oven generating heat, there are certain safety precautions you should follow. These are listed in the Use and Care Manual. Read all and follow carefully.
- Be sure your Drawer Microwave Oven is installed and grounded properly by a qualified installer or service technician.





3 INFORMATION YOU NEED TO KNOW

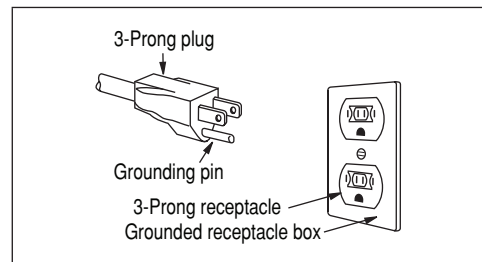
Clearances and Dimensions

- Dimensions that are shown in Figure 1 must be used. Given dimensions provide minimum clearance. Locate electrical outlet in the shaded area in the upper left-hand corner of the cut-out. See Figure 4.
- Contact surface must be solid and level. Pay special attention to the floor on which the appliance will sit. The floor of the opening should be constructed of plywood strong enough to support the weight of the oven (about 100 pounds).
- Check location where the Drawer Microwave will be installed for proper electrical supply.
- Your appliance can be built into a cabinet or wall by itself or under a gas or electric wall oven.
- Be sure that the clearance of the floor between the wall oven and the Drawer Microwave is a minimum of 2".
- The microwave interior will easily accommodate a 9" x 13" oblong dish or a bag of microwave popcorn.

GROUNDING INSTRUCTIONS

This appliance must be grounded. In the event of an electrical short circuit, grounding reduces the risk of electric shock by providing an escape wire for the electric current. The Drawer Microwave is equipped with a cord having a grounding wire with a grounding plug. The plug must be plugged into an outlet that is properly installed and grounded in accordance with the National Electrical Code and local codes and ordinances.

WARNING: Improper use of the grounding plug can result in a risk of electric shock. **Do not use an extension cord. If the power supply cord is too short, have a qualified electrician or serviceman install an outlet near the appliance.**



3 INFORMATION YOU NEED TO KNOW

Drawer Microwave Measurements

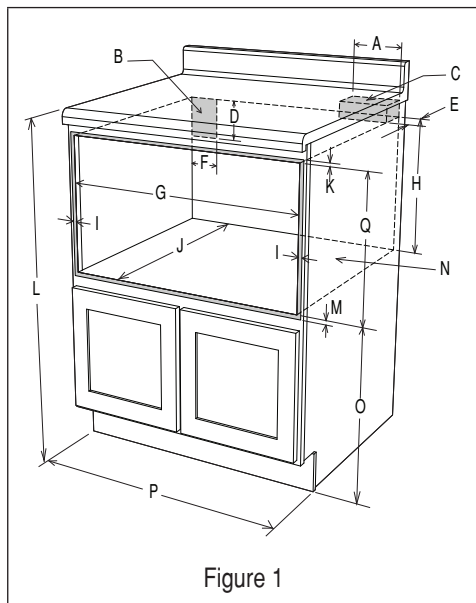


Figure 1

- A. 6" (152.40 mm)
- B. Suggested electrical outlet location*
- C. Anti-Tip block
- D. 5" (127 mm)
- E. 3-1/2" (88.90 mm)
- F. 4" (101.60 mm)
- G. 22-1/8" (561.98 mm) opening
- H. 14-13/16" (376.24 mm) to bottom of Anti-Tip block
- I. Allow 7/8" (22.23 mm) overlap
- J. 23-1/2" (596.90 mm) minimum depth
- K. Allow 3/16" (4.76 mm) overlap
- L. 36" (914.4 mm) countertop height
- M. Allow 1/8" (3.17 mm) overlap
- N. Floor must support 100 lb (45.4 kg)
- O. 19" (482.60 mm) to top of floor
- P. 24" (609.6 mm) cabinet minimum
- Q. 15-9/16" (395.27 mm) opening

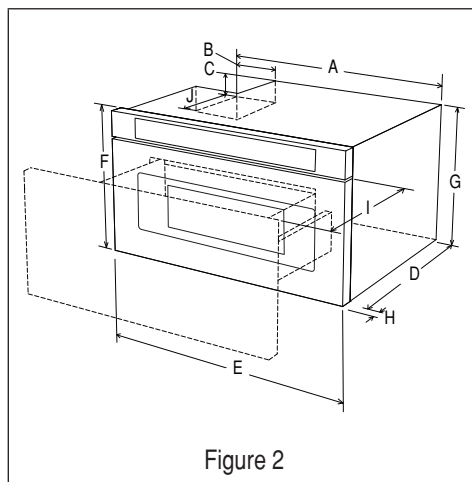


Figure 2

- A. 21-5/8" (549.28 mm)
- B. 4-11/16" (119.06 mm)
- C. 1-3/4" (44.45 mm)
- D. 21-7/8" (555.60 mm)
- E. 23-7/8" (606.43 mm)
- F. 15-7/8" (403.22 mm)
- G. 14-19/32" (370.69 mm)
- H. 1-9/64" (29 mm) door thickness
- I. 15" (381 mm) auto drawer opening
- J. 4" (101.6 mm)

Figures 1 and 2 contain many Drawer Microwave measurements for reference when planning the drawer's location.

This Drawer Microwave can be installed below any electric or gas wall oven.

* Can also be installed using an electrical outlet in an adjacent cabinet within the area where the provided electrical cord can reach. Power cord access hole in cabinet should be a minimum 1-1/2" diameter hole and deburred of all sharp edges.

IMPORTANT - Always allow sufficient power cord length to the electrical outlet to prevent tension. Always check electrical codes for requirements.



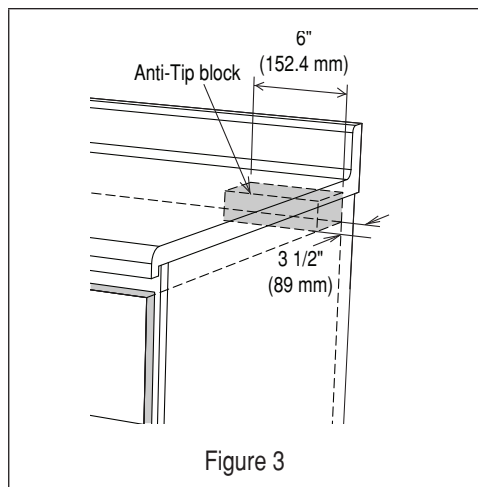
4 INSTALLATION INSTRUCTIONS

Anti-Tip Block

Normal Installation Steps

Anti-Tip Block Installation Instructions

- To reduce the risk of tipping of the drawer, the Anti-Tip block must be properly installed located 14-13/16" above the floor on which the appliance will sit. The 6" Anti-Tip block must be provided by the installer. See Figure 1 and 3. The Anti-Tip block prevents serious injury that might result from spilled hot liquids.
- If the Drawer Microwave is ever moved to a different location, the Anti-Tip block must also be moved and installed. When installed to the wall, make sure that the screws completely penetrate the dry wall and are secured in wood or metal so that the block is totally stable. When fastening, be sure that the screws do not penetrate electrical wiring or plumbing.



Electrical Outlet

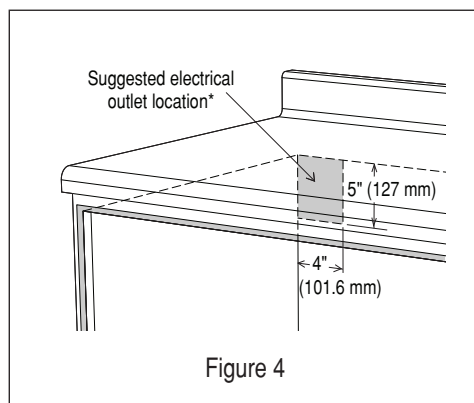
The electrical requirements are a 120 volt 60 Hz, AC only, 15 amp. or more protected electrical supply. It is recommended that a separate circuit serving only this appliance be provided.

The Drawer Microwave is equipped with a 3-prong grounding plug. It must be plugged into a wall receptacle that is properly installed and grounded. Should you only have a 2-prong outlet, have a qualified electrician install a correct wall receptacle.

NOTE: If you have any questions about the grounding or electrical instructions, consult a qualified electrician or service person.

- * Can also be installed using an electrical outlet in an adjacent cabinet within the area where the provided electrical cord can reach.

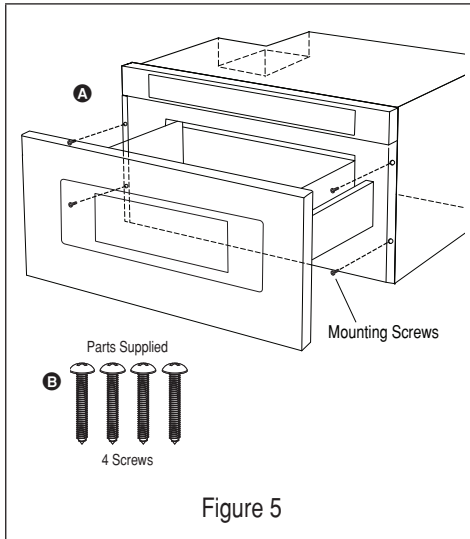
Always check electrical codes for requirements penetrate electrical wiring or plumbing.





4 INSTALLATION INSTRUCTIONS

Drawer Installation



1. Place the drawer adjacent to the wall or cabinet opening. Plug the power supply cord into the electrical outlet.
2. Carefully guide the drawer into the prepared opening. Avoid pinching the cord between the oven and the wall.
3. Slide the drawer all the way until the mounting flange is flush with the face of the cabinet. See Figure 5A.
4. Open the drawer. Using the 4 holes on the drawer as a template, pre drill the cabinet using a 1/16" bit. See Figure 5A.
5. Secure the drawer with the 4 screws supplied. See Figure 5B.

Model and Serial Number Location

The nameplate includes model number and serial number. Open the Drawer Microwave fully. The label is slightly beyond the back wall of the microwave cavity facing up from the flat surface.

Care, Cleaning and Maintenance

Refer to the Use and Care Manual for cleaning instructions.

Before You Call for Service

Read the BEFORE YOU CALL FOR SERVICE and operating instruction sections in your User Manual. It may save you time and expense. The list includes common occurrences that are not the result of defective workmanship or materials in this range.

Refer to the warrant for toll-free service number and address. Please call or write if you have inquiries about your microwave product and/or need to order parts.





www.beko.com