

MWDR24100SS



24" Built-in Microwave Drawer



GENERAL PROPERTIES

Built-in Ready	Yes
Color	Stainless Steel with Black Glass
Capacity	1.2 cu. ft.
Control Type	Touch Control w/ LED Display
Drawer Opening	Easy Touch, Auto Open
Drawer Closing	Hands Free System

FEATURES & FUNCTIONS

Auto Cook Functions	12
Digital Clock	Yes
Kitchen Timer	Yes
Interactive Cooking System	Yes
Interior Light	Yes
Quick Start	Yes
Sensor Cooking	Yes
Start /+ 30 seconds	Yes
Stop/Clear	Yes
Microwave On Indicator	Yes
End of Cooking Reminder	Yes
Child Lock	Yes
Auto Start	Yes
Stand-by Mode	Yes
Power Levels	10

PREMIUM TECHNOLOGY

AUTOMATIC SENSOR PROGRAMS

Eliminate the need to set the cooking time and power level. Beko's automatic sensor programs simplify cooking for the best results.

SPACIOUS INTERIOR

Accommodate larger vessels and containers with a spacious interior cavity that fits a 13" x 9" baking dish.

SEAMLESS INTEGRATION

Make your microwave look like it naturally belongs there. The Beko microwave drawer installs flush to your cabinet and allows for a more seamless appearance.

MWDR24100SS



24" Built-in Microwave Drawer

COOKING - MENU PRESETS

Popcorn	Yes
Reheat	Yes
Defrost	Yes
Sensor Cook	Yes
Melt, Soft & Warm Options	Yes
Beverage Center	Yes

TECHNICAL INFORMATION

Output Power	950 W
Required Power Supply	120 V / 60 Hz
Circuit Breaker (Min.)	15 A
Plug Type	120V, 3-Prong
Power Cord Length	4.16 ft.
Flush Mount	Yes
Vent Location	Bottom of Drawer

DIMENSIONS & WEIGHT

Product (H x W x D) (in.)	15 13/16 x 23 13/16 x 23
Required Cutout Size - Standard (H x W x D) (in.)	15 9/16 x 22 1/8 x 23 1/2
Required Cutout Size - Flush (H x W x D) (in.)	16 1/4 x 23 7/8 x 23 1/2
Carton (H x W x D) (in.)	21 1/2 x 27 11/16 x 29 1/16
Net Weight (lbs.)	74
Shipping Weight (lbs.)	85.8

ACCESSORIES (INCLUDED)

Flush Install Kit	Yes
-------------------	-----

WARRANTY

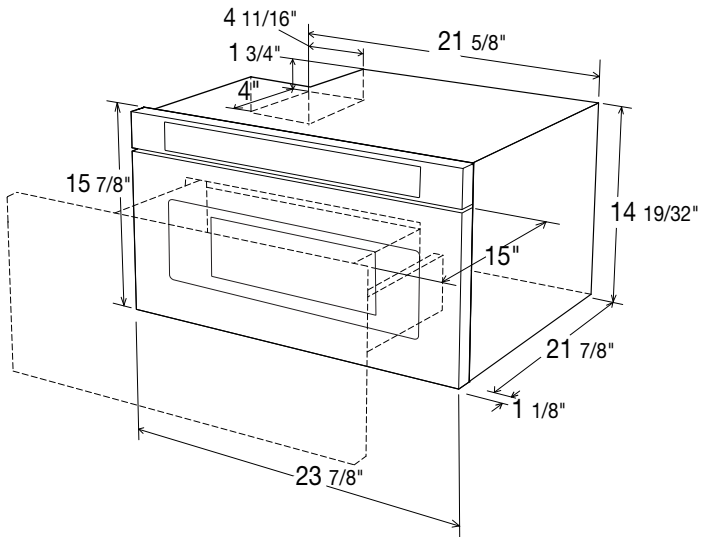
Entire Appliance	2-Year Full Warranty
------------------	----------------------

MWDR24100SS

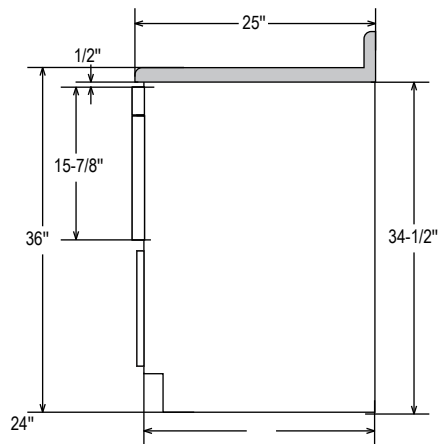
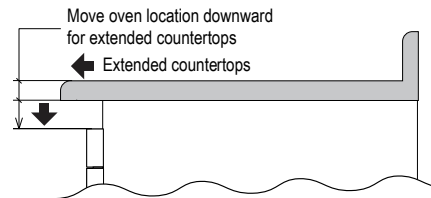
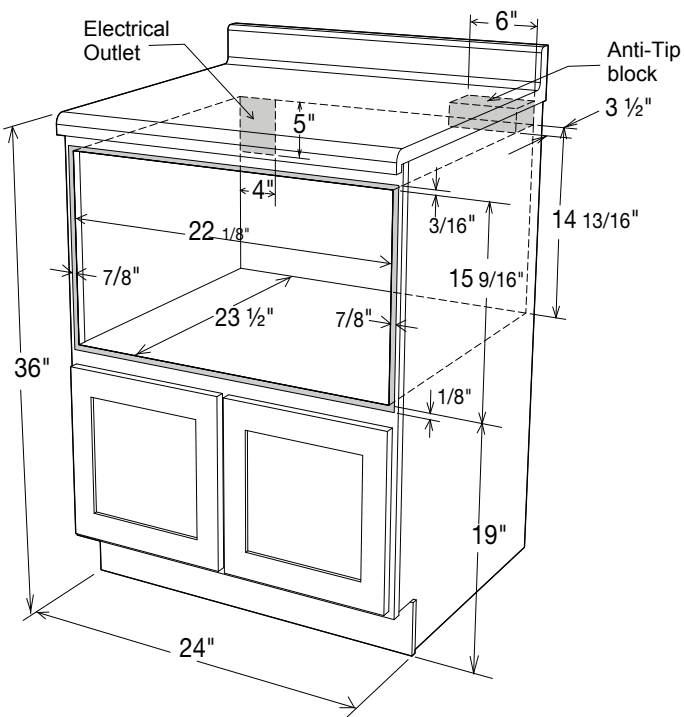


24" Built-in Microwave Drawer

Product

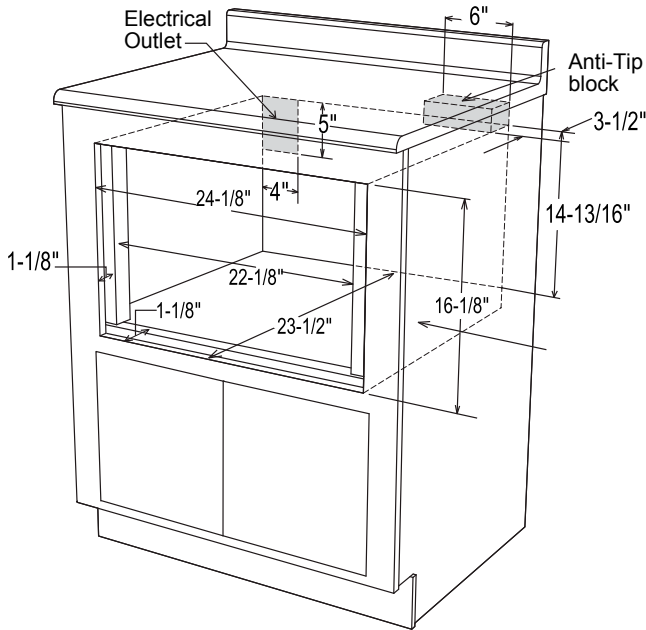


Standard Mount Installation

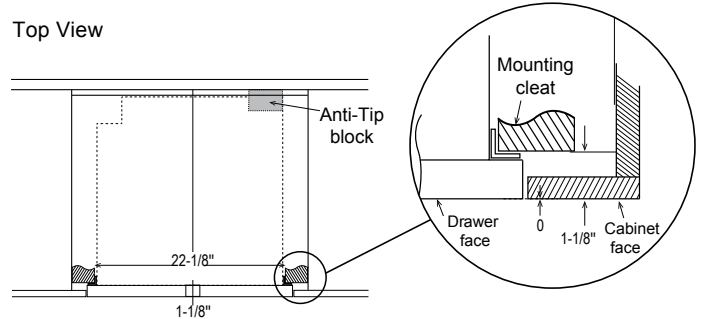


24" Built-in Microwave Drawer

Flush Mount Installation

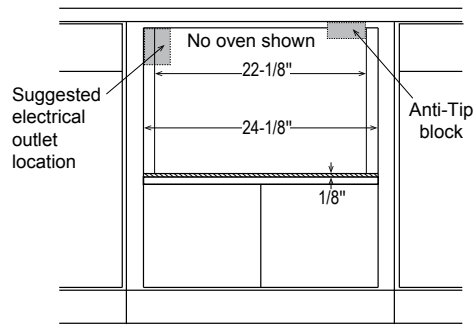


Top View

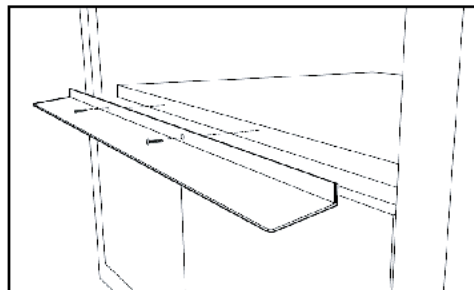
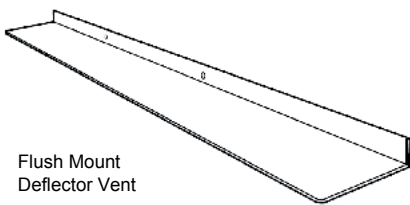


Note: the mounting surface of the finished cleat must sit 1-1/2" back from the face of the cabinet.

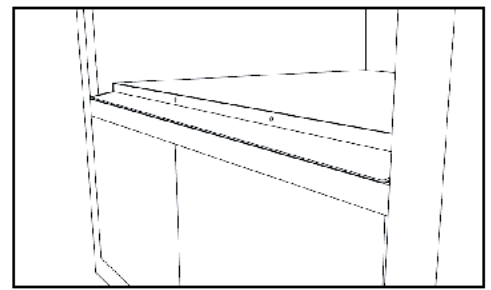
Front View



Deflector Installation



Shelf detail showing the deflector vent during installation. Position deflector vent and mark holes. Pre drill using a 1/16" (1.56 mm) bit before mounting.



Shelf detail showing the deflector vent installed.

NOTE TO THE INSTALLER: All height, width, and depth dimensions are shown in inches (as well as metric). Beko U.S., Inc. reserves the absolute and unrestricted right to change product materials and specifications, at any time, without notice. Please visit our website, www.BekoAppliances.com, or call 888.352.2356 to verify the latest specifications with final dimensional data and other details prior to installation and making a cutout. Applicable product limited warranty information may be found in accompanying product materials, or you may contact your account manager for further details. Proper installation is the responsibility of the installer. Product failure due to improper installation is not covered under the Limited Warranty.