

# MWOFS30100SS



## Countertop Microwave Oven and 30" Built-In Trim Kit



Shown with optional 30" trim kit

### GENERAL PROPERTIES

Color	Stainless Steel with Black Glass
Interior Finish	White
Capacity	2.2 cu. ft.
Control Type	Touch Control w/ LED Display
Door Opening Type	Side Opening w/ Push Button

### FEATURES & FUNCTIONS

Microwave Cooking	Yes
Sensor Cooking	Yes
Auto-cooking	Yes (9 Functions)
Defrost	Yes
Glass Turntable Diameter (in.)	16.5
Quick Start	Yes
Start /+ 30 Seconds	Yes
Stop/Cancel/Clear	Yes
End of Cooking Reminder	Yes
Child Lock	Yes
Power Levels	10
Digital Clock	Yes
Kitchen Timer	Yes
Interior Light	Yes

## PREMIUM TECHNOLOGY

### BUILT-IN INTEGRATION

Make your microwave look like it naturally belongs there. This microwave with trim kit allows for a seamless, built-in look.

### AUTOMATIC SENSOR PROGRAMS

Eliminate the need to set the cooking time and power level. Beko's automatic sensor programs simplify cooking for the best results.

### 16.5" INTERIOR DIAMETER - TURNTABLE

The spacious interior and large, 16.5" turntable accommodates larger cookware and containers.

# MWOF30100SS



## Countertop Microwave Oven and 30" Built-In Trim Kit

### COOKING - MENU PRESETS

Popcorn	Yes
Potato	Yes
Pizza Reheat	Yes
Beverage	Yes
Frozen Entrée	Yes
Frozen Vegetables	Yes
Memory	Yes

### TECHNICAL INFORMATION

Microwave Output Power (Max.)	1,100 W
Rated Input Power	1,500 W
Required Power Supply	120 V / 60 Hz
Circuit Breaker (Min.)	20 A
Plug Type	120V, 3-Prong
Power Cord Length (in.)	39

### DIMENSIONS & WEIGHT

Product (H x W x D) (in.)	12 11/16 x 24 7/16 x 19 5/8
30" Trim Kit (H x W x D) (in.)	18 7/8 x 29 3/4 x 1
Interior (H x W x D) (in.)	11 3/16 x 19 1/16 x 17 13/16
Required Cutout Size (H x W x D) (in.)	17 Min. - 17 1/8 Max. x 25 1/2 x 22 3/4
Carton (H x W x D) (in.)	16 1/8 x 26 3/4 x 22 1/2
Net Weight (lbs.)	43
Shipping Weight (lbs.)	49.6

### ACCESSORIES (INCLUDED)

Glass Turntable	Yes
-----------------	-----

### ACCESSORIES (OPTIONAL / NOT INCLUDED)

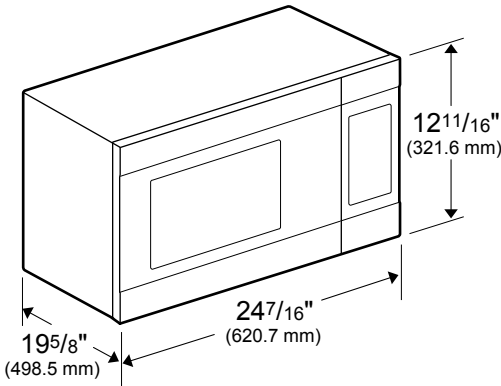
30" Built-in Trim Kit (sold separately)	MWOKT30100SS
---	--------------

### WARRANTY

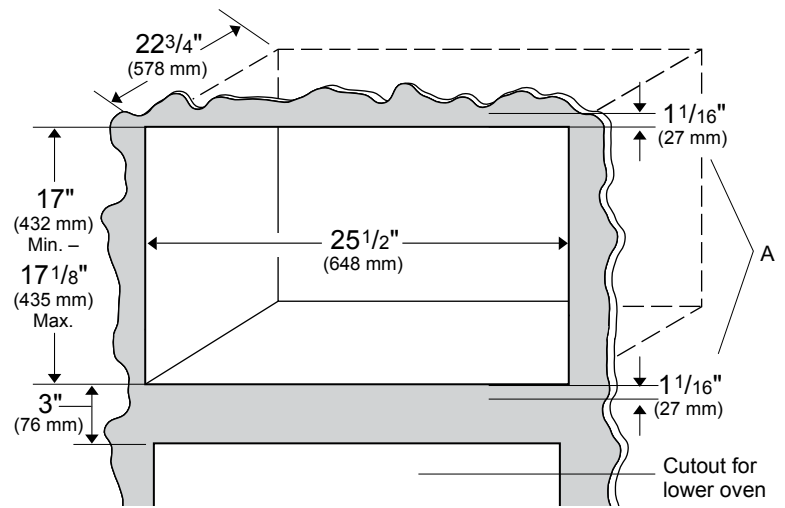
Entire Appliance	2-Year Full Warranty
------------------	----------------------

## Countertop Microwave Oven and 30" Built-In Trim Kit

### Product



### Required Cutout Dimensions with Trim Kit



### Installation Options

The microwave oven may be installed over a built-in oven. If installing over a built-in oven, make sure there is a minimum of 3" (76 mm) between the top of the lower oven cutout and the microwave oven cutout floor.

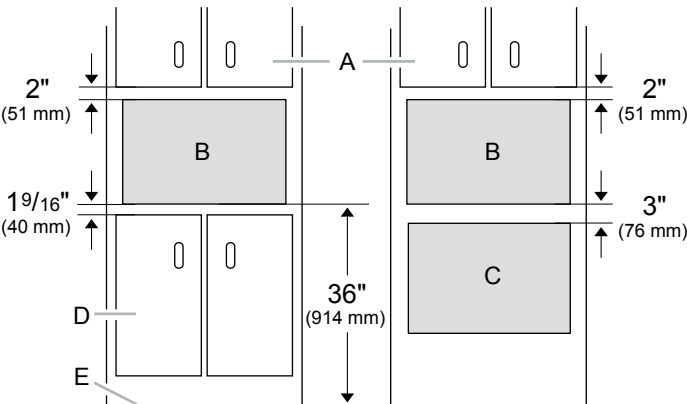
The microwave oven may also be installed in a cabinet by itself (without a built-in oven below). For best usability, we recommend a minimum distance of 36" (914 mm) from the floor to the cutout floor.

Make sure the surrounding cabinetry has clearance to open and close freely. Allow a clearance of at least 1 9/16" (40 mm) below the cutout floor (3" [7.6 mm] for installation above a built-in oven), and a clearance of at least 2" (51 mm) above the cutout opening.

A. Trim kit frame overhang

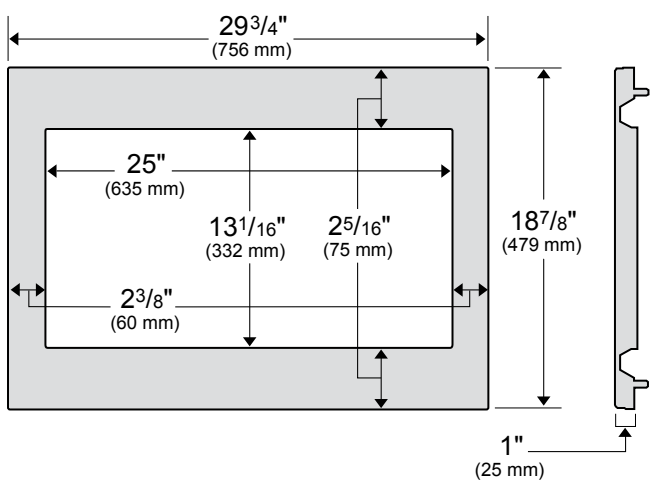
### Notes:

- Height dimension is critical: 17" (432 mm) minimum, 17 1/8" (435 mm) maximum.
- Width and depth measurements have  $\pm 1/16"$  (2 mm) tolerance.
- 3" (76 mm) minimum dimension is from lower oven cutout ceiling to microwave oven cutout floor.
- Trim kit frame extends 1 1/16" (27 mm) above and below the cutout opening.



- A. Upper cabinet
- B. Microwave oven cutout
- C. Lower oven cutout
- D. Lower cabinets
- E. Floor

### Trim Kit Frame Dimensions



NOTE TO THE INSTALLER: All height, width, and depth dimensions are shown in inches (as well as metric). Beko U.S., Inc. reserves the absolute and unrestricted right to change product materials and specifications, at any time, without notice. Please visit our website, [www.BekoAppliances.com](http://www.BekoAppliances.com), or call 888.352.2356 to verify the latest specifications with final dimensional data and other details prior to installation and making a cutout. Applicable product limited warranty information may be found in accompanying product materials, or you may contact your account manager for further details. Proper installation is the responsibility of the installer. Product failure due to improper installation is not covered under the Limited Warranty.