

MWOTR30100SS



30" Over the Range Microwave



GENERAL PROPERTIES

Color	Stainless Steel with Black Glass
Interior Finish	Stainless Steel
Capacity	1.6 cu. ft.
Control Type	Touch Control w/ LED Display
Door Opening Type	Side Opening w/ Handle
Hidden Vent	Yes
Venting Options	Recirculation or Outside Venting (Roof & Wall)

FEATURES & FUNCTIONS

Microwave Cooking	Yes
Auto-cooking	Yes
Defrost	Yes
Glass Turntable Diameter (in.)	13.6
Quick Start	Yes
Start /+ 30 Seconds	Yes
Cooktop Lighting	Yes
Stop/Cancel/Clear	Yes

PREMIUM TECHNOLOGY

300 CFM, 2-SPEED EXHAUST

Match the right amount of ventilation to the dish being prepared and quickly get rid of cooking odors with two different fan speed settings.

MULTI-STAGE COOKING

When recipes call for different power levels at different intervals, you can program the microwave to automatically cook through two stages.

MWOTR30100SS



30" Over the Range Microwave

FEATURES & FUNCTIONS CONTINUED

End of Cooking Reminder	Yes
Child Lock	Yes
Power Levels	10
Digital Clock	Yes
Kitchen Timer	Yes
Interior Light	Yes
Exhaust Filters	Yes (Hand Wash)
Exhaust Fan Speeds	High / Low / Off

COOKING - MENU PRESETS

Popcorn	Yes
Potato	Yes
Reheat	Yes
Beverage	Yes

TECHNICAL INFORMATION

Microwave Output Power (Max.)	1,000 W
Rated Input Power	1,550 W
Required Power Supply	120 V / 60 Hz
Circuit Breaker (Min.)	20 A
Plug Type	120V, 3-Prong
Power Cord Length (in.)	39
Exhaust Capacity (Max.)	300 CFM
Vented Installation (Duct Size)	Yes (3 1/4 x 10)
Recirculating Installation	Yes

DIMENSIONS & WEIGHT

Product (H x W x D) (in.)	16 7/16 x 29 7/8 x 15 7/8
Interior (H x W x D) (in.)	13 X 12 11/16 X 9 7/8
Required Cutout Size (H x W x D) (in.)	16 5/16 x 30 x 12
Carton (H x W x D) (in.)	19 7/8 x 33 1/4 x 19 1/8
Net Weight (lbs.)	55
Shipping Weight (lbs.)	61.7

ACCESSORIES (INCLUDED)

Glass Turntable	Yes
Grease Filters	Yes (2)
Charcoal Filter	Yes (1)

WARRANTY

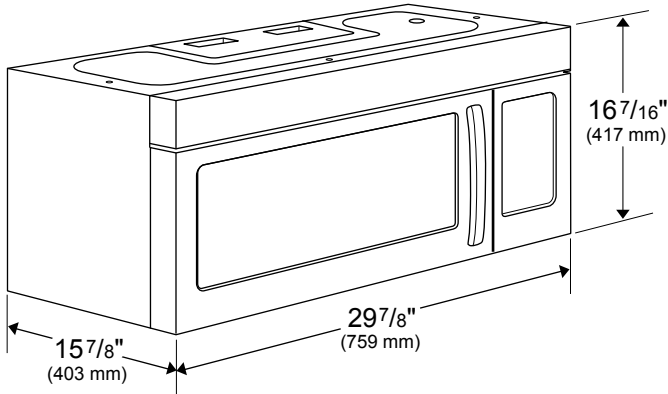
Entire Appliance	2-Year Full Warranty
------------------	----------------------

MWOTR30100SS

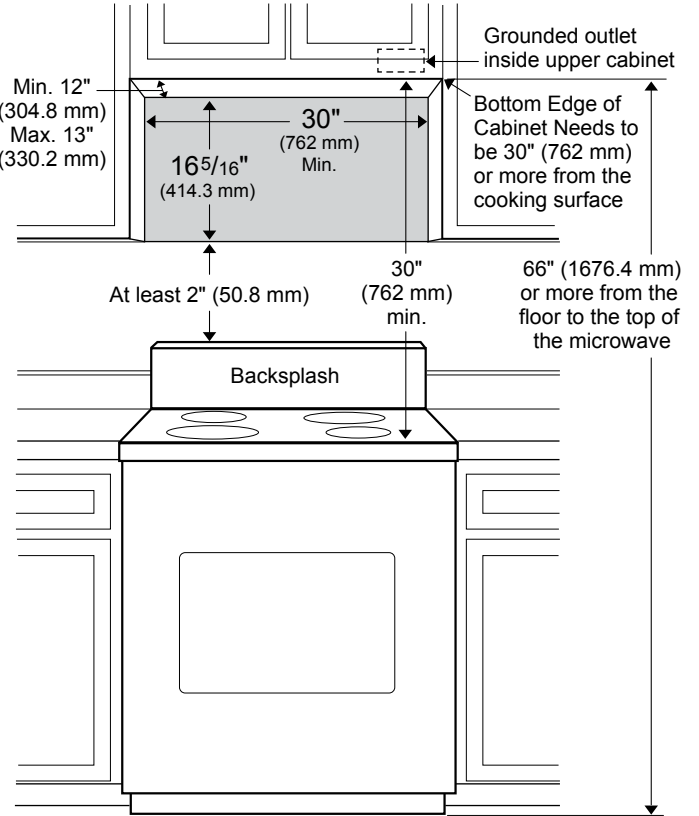


30" Over the Range Microwave

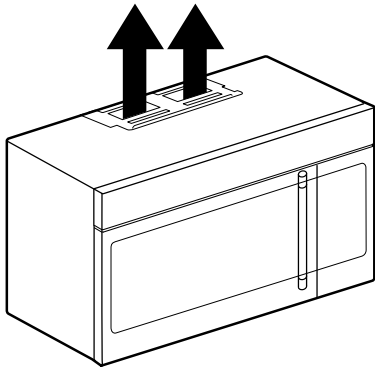
Product



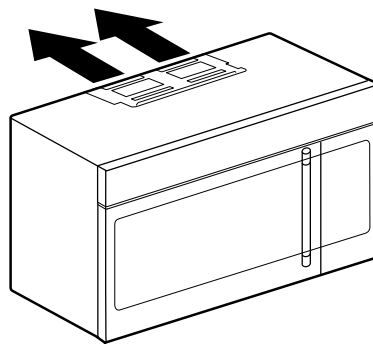
Installation



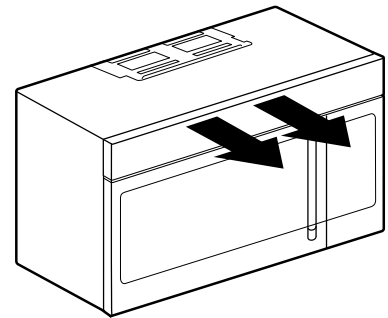
Venting Options



Outside / Roof Top Exhaust (Vertical Duct)



Outside / Wall Back Exhaust (Horizontal Duct)



Recirculating / Room (Non-vented Ductless)

NOTE TO THE INSTALLER: All height, width, and depth dimensions are shown in inches (as well as metric). Beko U.S., Inc. reserves the absolute and unrestricted right to change product materials and specifications, at any time, without notice. Please visit our website, www.BekoAppliances.com, or call 888.352.2356 to verify the latest specifications with final dimensional data and other details prior to installation and making a cutout. Applicable product limited warranty information may be found in accompanying product materials, or you may contact your account manager for further details. Proper installation is the responsibility of the installer. Product failure due to improper installation is not covered under the Limited Warranty.