

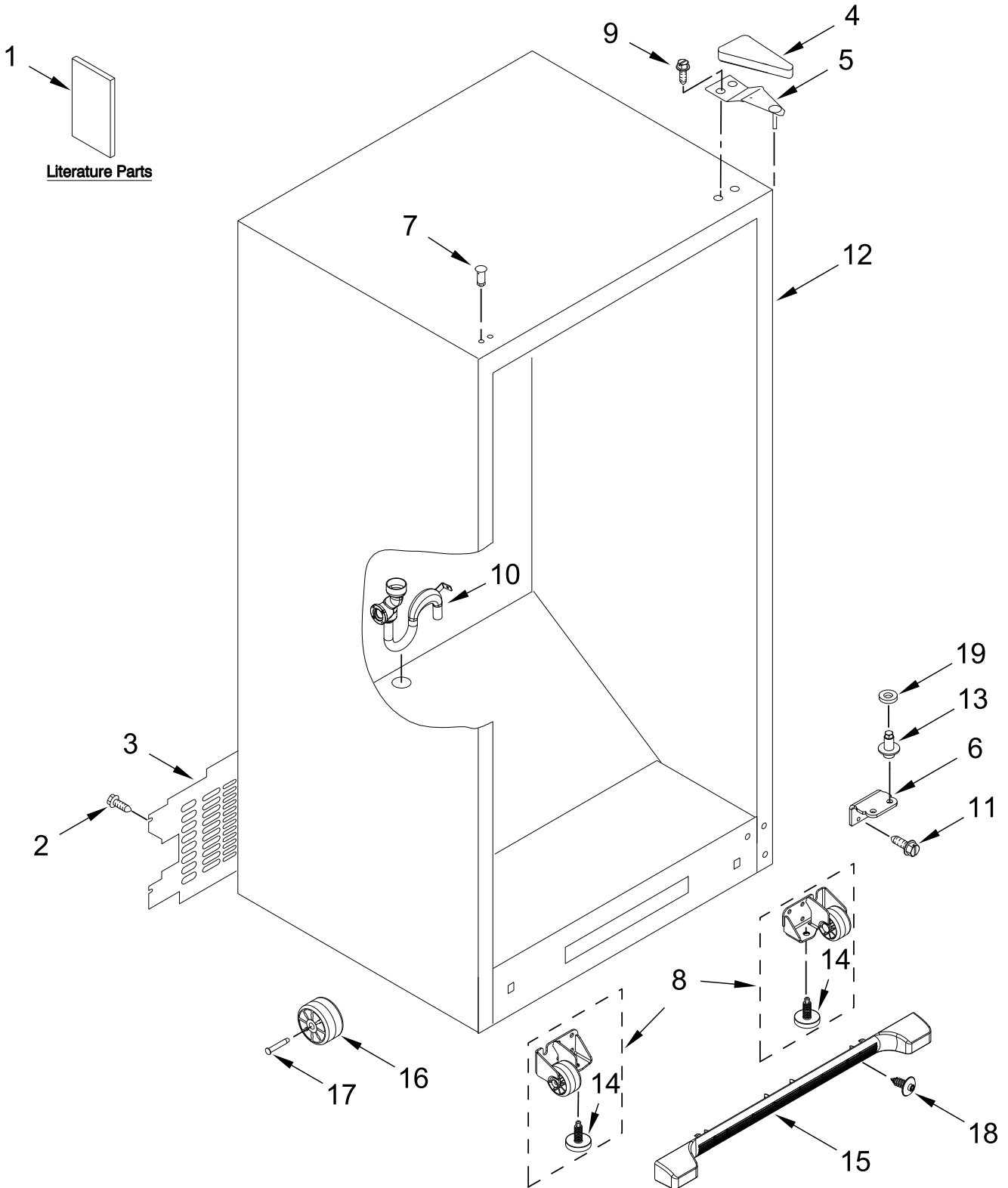


VERTICAL FREEZER

MODELS:

MZF34X18FW08 (White)

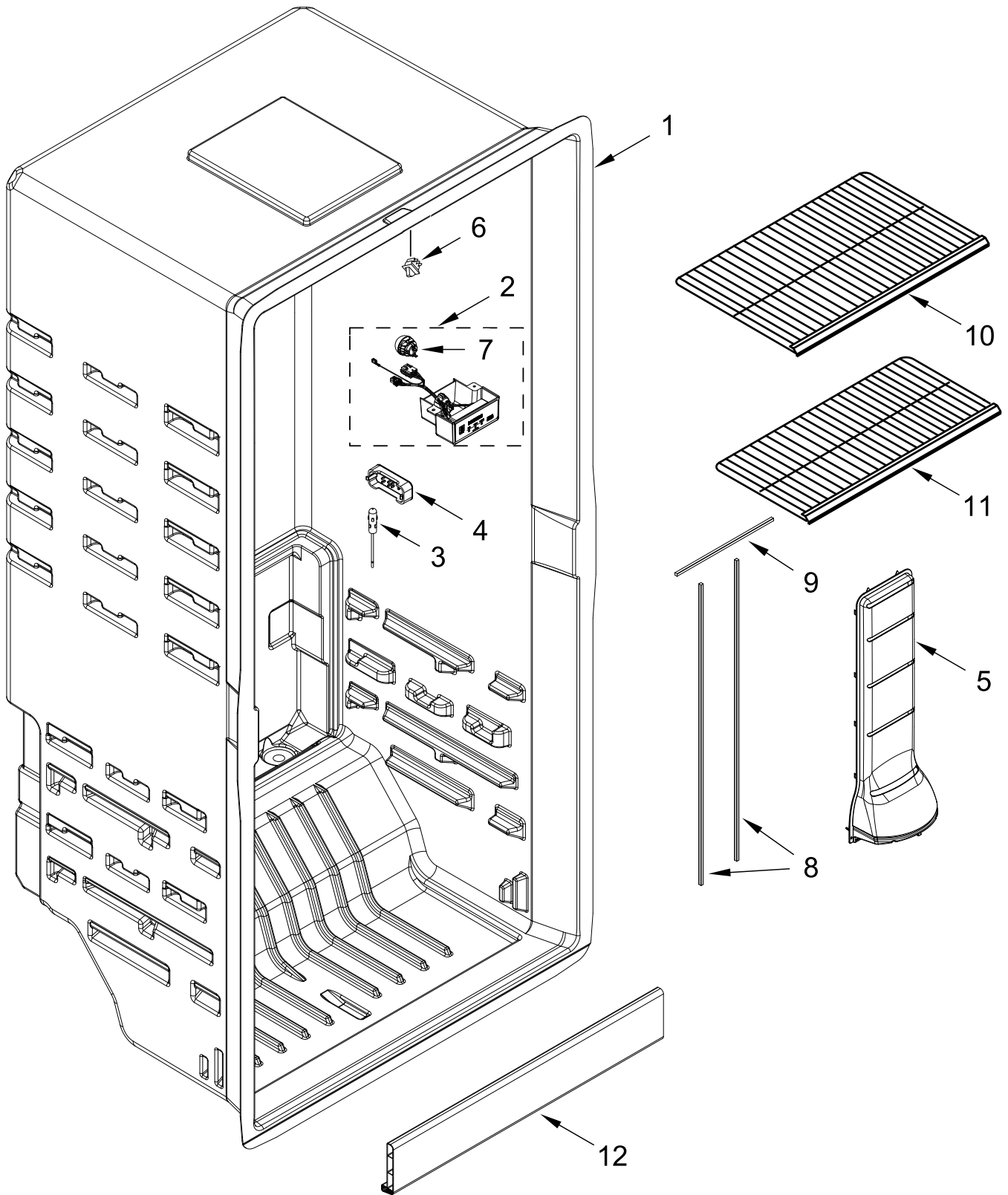
CABINET PARTS



CABINET PARTS

<u>Illus. No.</u>	<u>Part No.</u>	<u>Description</u>	<u>Illus. No.</u>	<u>Part No.</u>	<u>Description</u>	<u>Illus. No.</u>	<u>Part No.</u>	<u>Description</u>
1		Literature Parts	7		Plug, Hole	15		Cover, Toe Grille
	W11507042	Owner's Manual		W10520304	White		W10534166	White
	W11644305	Energy Guide	8		Roller Assembly	16	2150304	Roller
	W11510230	Tech Sheet		W10515763	Left Hand	17	2179826	Axle, Rivet
2	3-80675-105	Screw		W10515762	Right Hand	18	W11546550	Screw
3	W11311062	Cover, Unit	9	3400113	Screw	19	487576	Washer, Plastic
4		Cover, Hinge	10	W11291514	Tube, Drain			
	2213360	White	11	W10709365	Screw			
5	W11638835	Assembly, Top Hinge	12		Cabinet (Not A Serviceable Part)			
6		Plate, Bottom Hinge	13	W10574325	Pin, Lower Hinge			
	W10574264	White	14	W10141622	Brake, Roller			

LINER PARTS



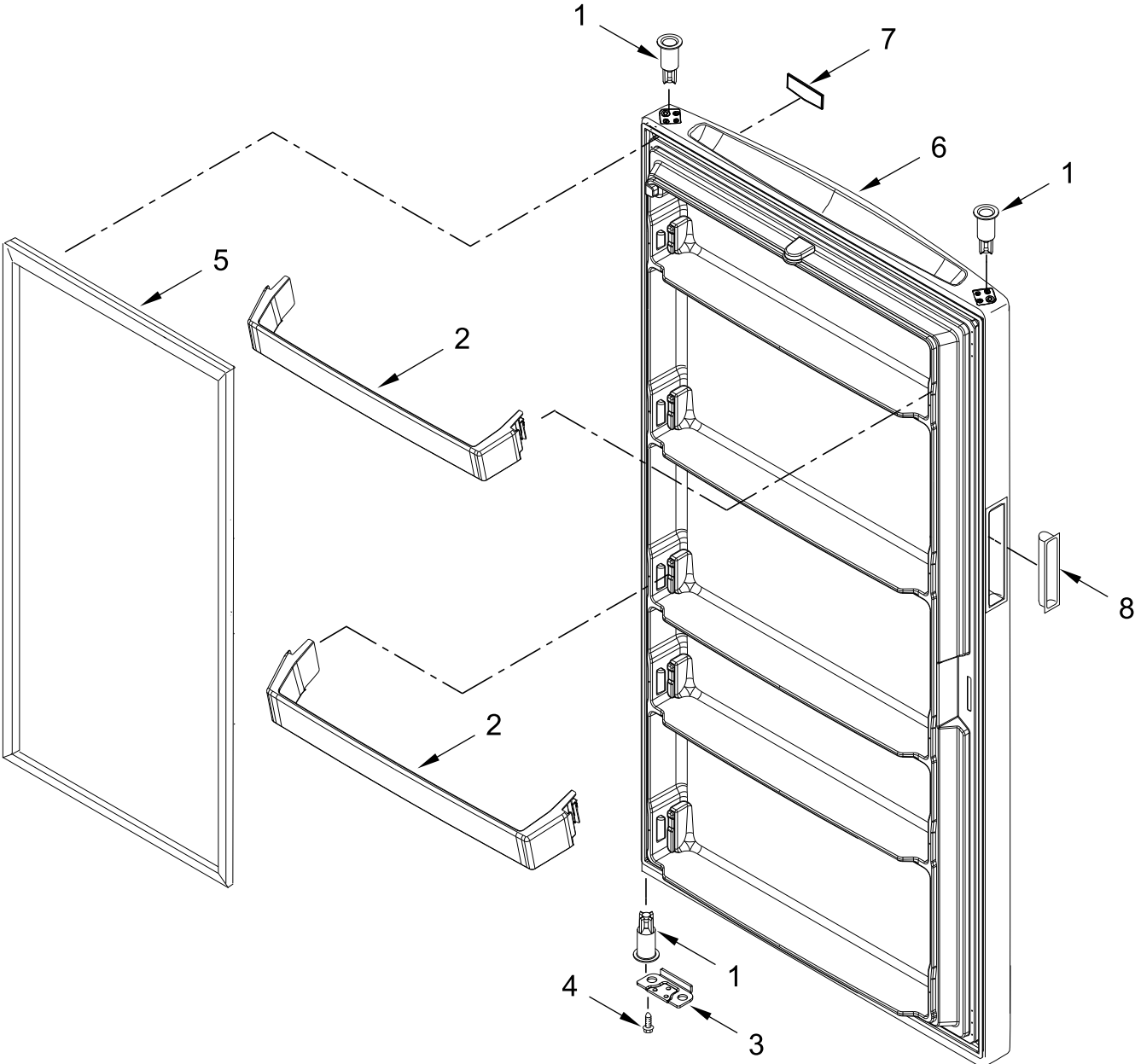
LINER PARTS

<u>Illus.</u> <u>No.</u>	<u>Part No.</u>	<u>Description</u>
1		Liner (Not A Serviceable Part)
2	W11555885	Assembly, Control
3	W10384183	Thermistor
4	W10608692	Cover, Thermistor
5	W10574583	Tower, Air

<u>Illus.</u> <u>No.</u>	<u>Part No.</u>	<u>Description</u>
6	W11514900	Switch, Light
7	W11254095	Module, LED
8	W10574368	Gasket, Air Tower (Vertical)
9	W10574564	Gasket, Air Tower (Horizontal)
10	W10569280	Wire Shelf, Deep

<u>Illus.</u> <u>No.</u>	<u>Part No.</u>	<u>Description</u>
11	W10569281	Wire Shelf, Shallow
12	W10581588	Trim, Door

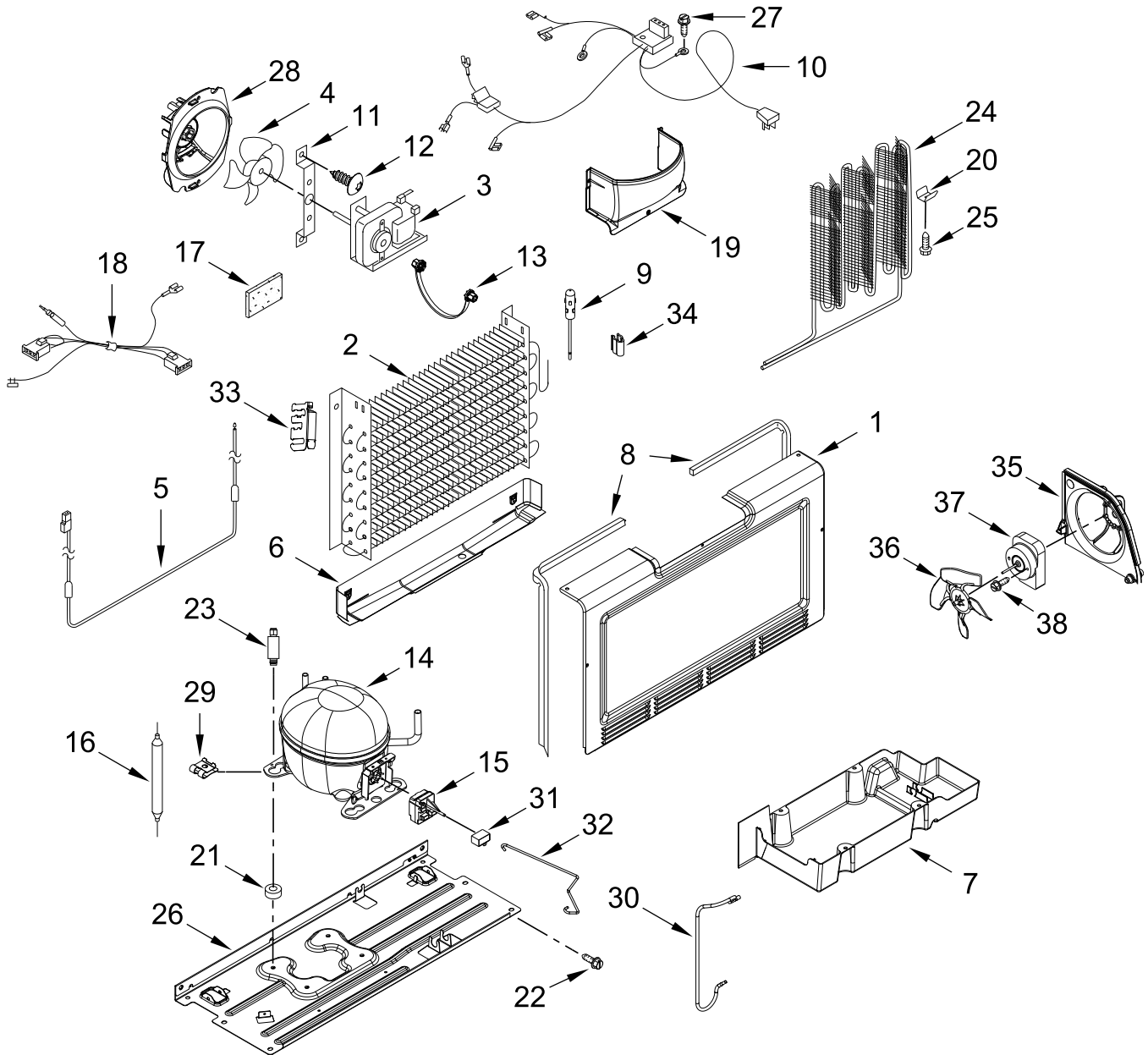
DOOR PARTS



DOOR PARTS

<u>Illus.</u> <u>No.</u>	<u>Part No.</u>	<u>Description</u>	<u>Illus.</u> <u>No.</u>	<u>Part No.</u>	<u>Description</u>	<u>Illus.</u> <u>No.</u>	<u>Part No.</u>	<u>Description</u>
1	2314293	Thimble	6		Assembly, Door (Includes Handle Cup)	8		Handle, Cup
2	W10737497	Rail, Door Shelf				W10352523		White
3	W10628869	Bracket, Door Stop		W10673691	White			
4	7101P356-60	Screw	7	W10612925	Badge			
5		Gasket, Door						
	W10574474	White						

UNIT PARTS



UNIT PARTS

<u>Illus.</u> <u>No.</u>	<u>Part No.</u>	<u>Description</u>	<u>Illus.</u> <u>No.</u>	<u>Part No.</u>	<u>Description</u>	<u>Illus.</u> <u>No.</u>	<u>Part No.</u>	<u>Description</u>
1	W10574307	Cover, Evaporator	14	W11332031	Compressor	22	W10142287	Screw
2	W11490402	Evaporator (Also Order the Following Lokring Parts)			(Also Order the Following Lokring Parts)	23	W10720825	Screw
	W11504450	4/1.8 NR MS 00 (Capillary Tube to Evaporator)		W11504420	8/6 NR MS 00 (Suction Tube to Compressor)	24	W10574289	Condenser Assembly (Also Order the Following Lokring Parts)
	W11504420	8/6 NR MS 00 (Suction Line to Evaporator)		W11504431	7/5 NR MS 00 (Discharge Tube to Compressor)		W11578570	7/4.5 NR MS 00 (Discharge Tube to Condenser)
3	W11340536	Motor, Fan		W11506622	6.35 NK AL 00 (Charging Tube to Compressor)		W11506623	5 NK MS 00 (Suction Line to Condenser)
4	2169142	Blade, Fan		W11506635	Tube, Charging (1/4 in w/ Schrader Valve)	25	W10142294	Screw
5	W11340898	Heater, Defrost	15	W11359985	Device, Start	26	W10574278	Pan, Compressor
6	W11483529	Shield, Heat	16	W10805035	Drier (Service Drier Without Dye) (Also Order the Following Lokring Parts)	27	1-80257-102	Screw
7	W10574291	Pan, Evaporator Drain		W11506623	5 NK MS 00 Drier to Condenser	28	W10574469	Shroud, Evaporator Fan
8	W10574305	Gasket, Evaporator Cover		W11504448	5/1.8 NR AL 00 (Capillary Tube to Drier)	29	W10697017	Clip, Retaining
9	W10384183	Thermistor				30	W11591093	Tube, Suction
10	W11526233	Unit Harness (Includes Power Cord)				31	W11584490	Run Capacitor
11	13058002	Clip, Evaporator Motor				32	W11379613	Strap, Bale
12	W11546547	Screw				33	W11452250	Bracket, Evaporator
13	W10150583	Grommet, Fan Motor	17	2169104	Insulation, Sound Deadening	34	W11437914	Clip, Evaporator Thermistor
			18	W11435965	Harness, Evaporator Fan	35	W11509373	Bracket, Condenser Fan
			19	W10574581	Cover, Evaporator Fan	36	W10139483	Blade, Condenser Fan
			20	W10248621	Clip, Condenser	37	W10909387	Motor, Condenser Fan
			21	10835903	Grommet	38	8533961	Screw REFRIGERANT CHARGE 49 grams (R600a)

OPTIONAL PARTS (NOT INCLUDED)

<u>Illus.</u> <u>No.</u>	<u>Part No.</u>	<u>Description</u>
		PAINT, PRESSURIZED SPRAY (12 oz.)
	350942	White Primer
	350930	White
		Important: The spray paint is not to be used where the paint may make contact with the door gaskets.
		TOUCH-UP PAINT
	72017	White
	511873	White Porcelain (2 oz.)
		PAINT, BULK (1 QT.)
	799344	White (Uncut)
		MISCELLANEOUS
	212643	Sealer, Gum (4 Feet)
	479502	Tape, Vinyl (3/4 x 108")
	505587	Sealer, Mastic (1 Qt)
	503695	Cork, Sealer
	542638	Grease, Silicone (1/2 Oz.)
	542639	Cement, Alumilastic (1 1/4 Oz.)
	833938	Kit, Terminal Connector
		TORX SCREW WRENCH
	1117510	Torx Key