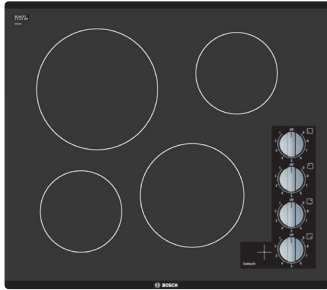


24" Electric Cooktop

500 Series – Black Frameless NEM5466UC



BOSCH
Invented for life



NEM5466UC
Black

The 24" electric cooktop, sleek in design, features optimal temperature control and is ideal for kitchens with a smaller footprint.

Features & Benefits

Precise temperature control for better cooking results.

Ceramic glass surface makes cooking and cleaning especially easy.

Residual heat indicator – warns if cooktop is warm or hot.

Push-to-turn control knobs.

Ideal for kitchens with a small footprint.

General Properties

Knob material Plastic

Element Performance

Power of Front Left heating element 1,850 W

Power of Back Left heating element 2,200 W

Power of Back Right heating element 1,200 W

Power of Front Right heating element 1,800 W

Element Size

Dimension of Front Left heating element 6"

Dimension of Back Left heating element 8"

Dimension of Back Right heating element 6"

Dimension of Front Right heating element 7"

Technical Details

Watts 7,100 W

Circuit breaker 30 A

Volts 208-240 V

Frequency 60 Hz

Plug type No plug

Energy source Electric

Dimensions & Weight

Overall appliance dimensions (HxWxD) 4" x 23 1/2" x 20 1/2"

Required cutout size (HxWxD) 4 1/3" x 22" x 19 1/4"

Minimum distance from counter front 2 1/4"

Minimum distance from rear wall 2"

Net weight 20 lbs



Accessories: To purchase Bosch accessories, cleaners & parts please visit www.bosch-home.com/us/store or call 1-800-944-2904 (Mon to Fri 5 am to 6 pm PST, Sat 6 am to 3 pm PST).

Notes: All height, width and depth dimensions are shown in inches. BSH reserves the absolute and unrestricted right to change product materials and specifications, at any time, without notice. Consult the product's installation instructions for final dimensional data and other details prior to making cutout.

Warranties: Please see Use & Care manual or Bosch website for statement of limited warranty.

For more information on our entire line of products, go to www.bosch-home.com/us or call 1-800-944-2904

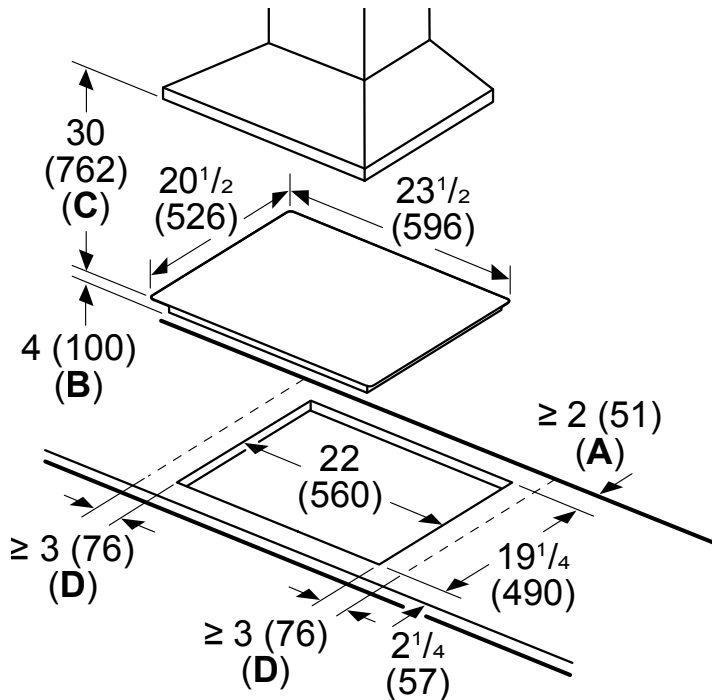
© BSH Home Appliances Corporation. All rights reserved. Bosch is a registered trademark of Robert Bosch GmbH.

24" Electric Cooktop

500 Series – Black Frameless NEM5466UC



Installation Details



A: Min. distance from the cooktop cut-out to the wall

B: Max. recessed depth

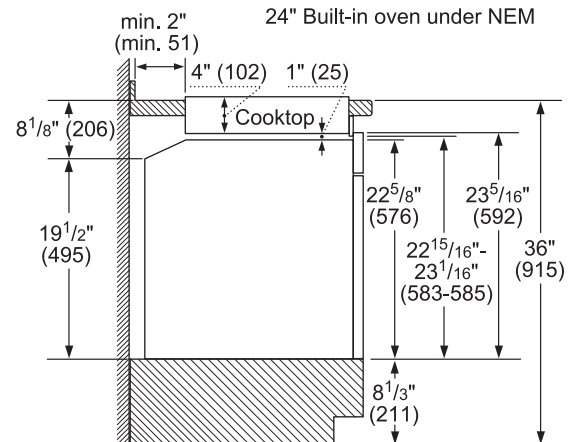
C: Min. distance between the surface of the cooktop and the underside of the exhaust hood

This distance can be smaller, check installation instructions of exhaust hood

D: Min. distance from the cooktop cut-out to the side wall

Measurements in inches (mm)

Installation above Wall Ovens

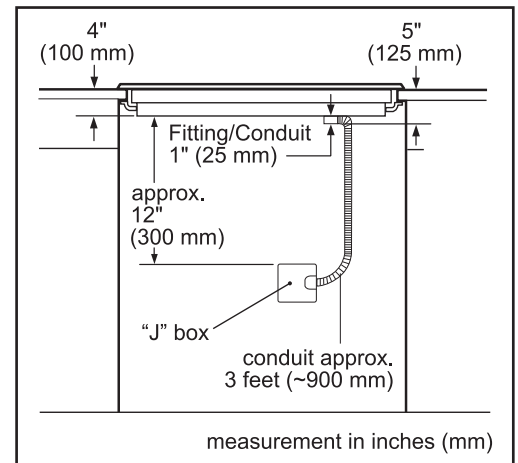


Notes: Dimensions based on standard countertop height (36" with 4³/₄" toe kick including base plate).

The built-in oven can be installed below the cooktop as long as there is at least 1" (25) of space between the bottom flat surface of the cooktop and the top of the oven.

Please allow at least 2" (51) from the countertop front edge to the edge of the cutout.

measurements in inches (mm)



Accessories: To purchase Bosch accessories, cleaners & parts please visit www.bosch-home.com/us/store or call 1-800-944-2904 (Mon to Fri 5 am to 6 pm PST, Sat 6 am to 3 pm PST).

Notes: All height, width and depth dimensions are shown in inches. BSH reserves the absolute and unrestricted right to change product materials and specifications, at any time, without notice. Consult the product's installation instructions for final dimensional data and other details prior to making cutout.

Warranties: Please see Use & Care manual or Bosch website for statement of limited warranty.

For more information on our entire line of products, go to www.bosch-home.com/us or call 1-800-944-2904

© BSH Home Appliances Corporation. All rights reserved. Bosch is a registered trademark of Robert Bosch GmbH.