

NQ70T5511D

SAMSUNG

30" Microwave Combination Wall Oven



Signature Features

1.9/5.1 cu. ft. Capacity

- Largest capacity* microwave combination oven with an integrated design that can accommodate a roast, multiple casserole dishes, or two full racks of cookies & microwave at the same time.*

*Based on combined capacity of oven and microwave.

Digital Touch Controls with Wi-Fi

- Touch Controls offer an integrated and premium design that is easy to clean.

Blue Ceramic Interior

- Blue Ceramic enamel interior offers a premium look and feel.

Available Colors



Stainless Steel (shown)



Fingerprint Resistant
Black Stainless Steel



Digital Touch Controls



Blue Ceramic Interior

Features

- 1.9/5.1 cu. ft. Capacity
- Wi-Fi Connectivity
- Glass Touch Controls
- Steam Clean & Self-Clean (Oven)
- Halogen Lights
- Easy View Window
- 2 Heavy-Duty Racks (Oven)
- Auto Latch Microwave Door
- Broil Element
- 6 Rack Positions (Oven)
- Drop-Down Door Design

Convenience

- Sensor Cook (Microwave)
- Sabbath Mode (Oven)
- Hidden Heating Element (Oven)
- Delay Start (Oven)
- Child Safety Lock
- Proofing (Oven)
- Warming Mode (Oven)
- Kitchen Timer

NQ70T5511D

SAMSUNG

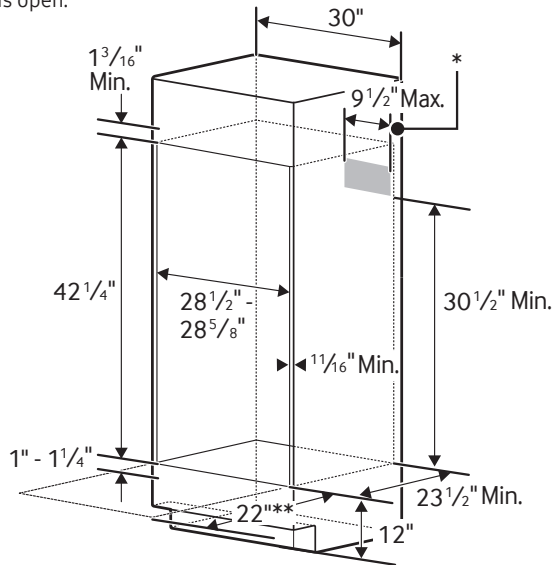
30" Microwave Combination Wall Oven

Cabinet Dimensions

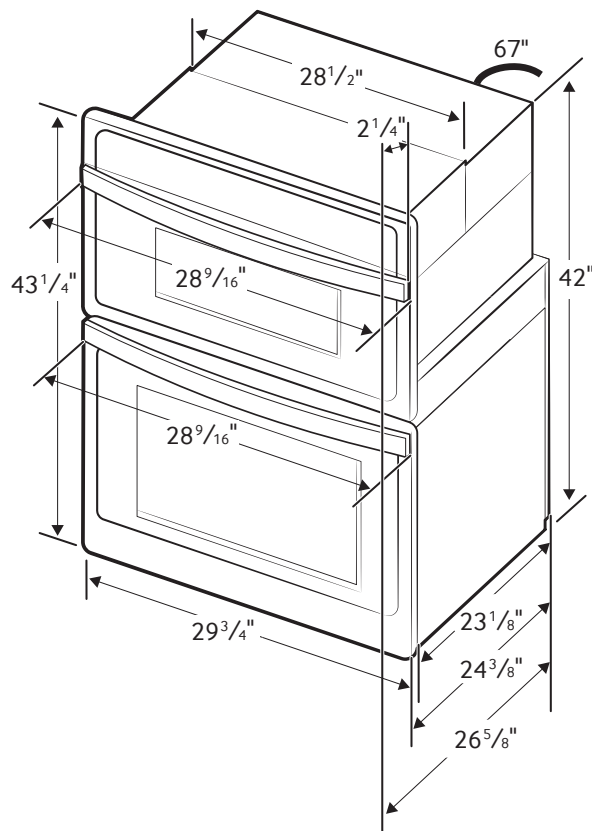
Combination Oven Installed in Cabinet

* Junction Box

** Allow a minimum of 22" for clearance to adjacent corners, drawers, walls, etc. when door is open.



Product Dimensions



Total Capacity: 1.9/5.1 cu. ft.

- Microwave: 1.9 cu. ft.
- Wall Oven: 5.1 cu. ft.
- Hidden Bake Element
- Bake: 175°F–550°F
- Broil: Low-High
- Proofing
- Sabbath Mode

Warranty

One (1) Year All Parts and Labor

Ten (10) Years Parts Warranty for Magnetron

Product Dimensions & Weight (WxHxD)

Outside (Max) Combination Oven Dimensions: 29^{3/4}" x 43^{1/4}" x 26^{5/8}"

Combination Oven Cut-Out Dimensions: 28^{1/2}" x 42^{1/4}" x 23^{1/2}"

Weight: 222.7 lbs

Shipping Dimensions & Weight (WxHxD)

Dimensions: 33^{5/8}" x 48^{3/16}" x 29^{13/16}"

Weight: 260.1 lbs

Color

Stainless Steel

Model

NQ70T5511DS/AA

UPC Code

887276384962

Fingerprint Resistant

Black Stainless Steel

NQ70T5511DG/AA

887276384955

| KW RATING | |
|--------------|---------|
| 240V | 6.2 kW |
| 208V | 4.7 kW |
| BREAKER SIZE | |
| 240V | 30 Amps |
| 208V | 30 Amps |

Actual color may vary. Design, specifications, and color availability are subject to change without notice. Non-metric weights and measurements are approximate.

©2020 Samsung Electronics America, Inc. 85 Challenger Road, Ridgefield Park, NJ 07660. Tel: 800-SAMSUNG. samsung.com. Samsung is a registered trademark of Samsung Electronics Co. Ltd.