

NSG6DG8550

SAMSUNG

Bespoke Smart Slide-In Gas Range 6.0 cu. ft.
with Flex Duo™ & Illuminated Precision Knobs



Available Color



Stainless Steel
NSG6DG8550SR

Features

- Flex Duo™
- Illuminated Precision Knobs
- Air Sous Vide
- Air Fry, Tray Included
- Convection Vegetable
- Convection+
- 2.25" LCD
- Aluminum Griddle
- Edge-to-Edge Grates
- Self Clean
- Storage Drawer

Convenience

- Wi-Fi Connectivity
- Voice-Enabled
- Convection Auto Conversion
- Self Clean
- Hidden Bake Element
- Child Safety Lock
- Delay Start
- Auto Oven Light
- Kitchen Timer
- Sabbath Mode

Specifications

Black Enamel 5-Burner Cooktop

- Right Front: 23K BTU Dual Ring Brass
- Left Front: 16K BTU
- Right Rear: 5K BTU
- Left Rear: 9.5K BTU
- Center (Oval): 10K BTU

Oven

- Upper Capacity: 3.4 cu. ft.
- Lower Capacity: 2.5 cu. ft.
- Convection Element/Heater
- Convection Bake
- Convection Roast
- Convection Vegetable
- Bake
- Variable Broil: Low/High
- Air Fry
- Air Sous Vide
- Keep Warm
- Bread Proof
- Dehydrate

Downloadable Oven Modes

- Turkey
- Spare Rib
- Pizza & Naan
- Seafood
- Brownie

Dimensions

Oven Interior Dimensions (WxHxD)

Dimensions: 24¹³/₁₆" x 21⁵/₈" x 19⁵/₈"

Product Dimensions (WxHxD)

Dimensions: 29¹⁵/₁₆" x 36¹/₄ - 37" (Adj.) x 28⁷/₁₆"
Weight: 224.0 lbs

Shipping Dimensions & Weight (WxHxD)

Dimensions: 33¹/₁₆" x 41¹/₈" x 30⁵/₁₆"
Weight: 246.0 lbs

Warranty

One (1) Year Parts and Labor

UPC

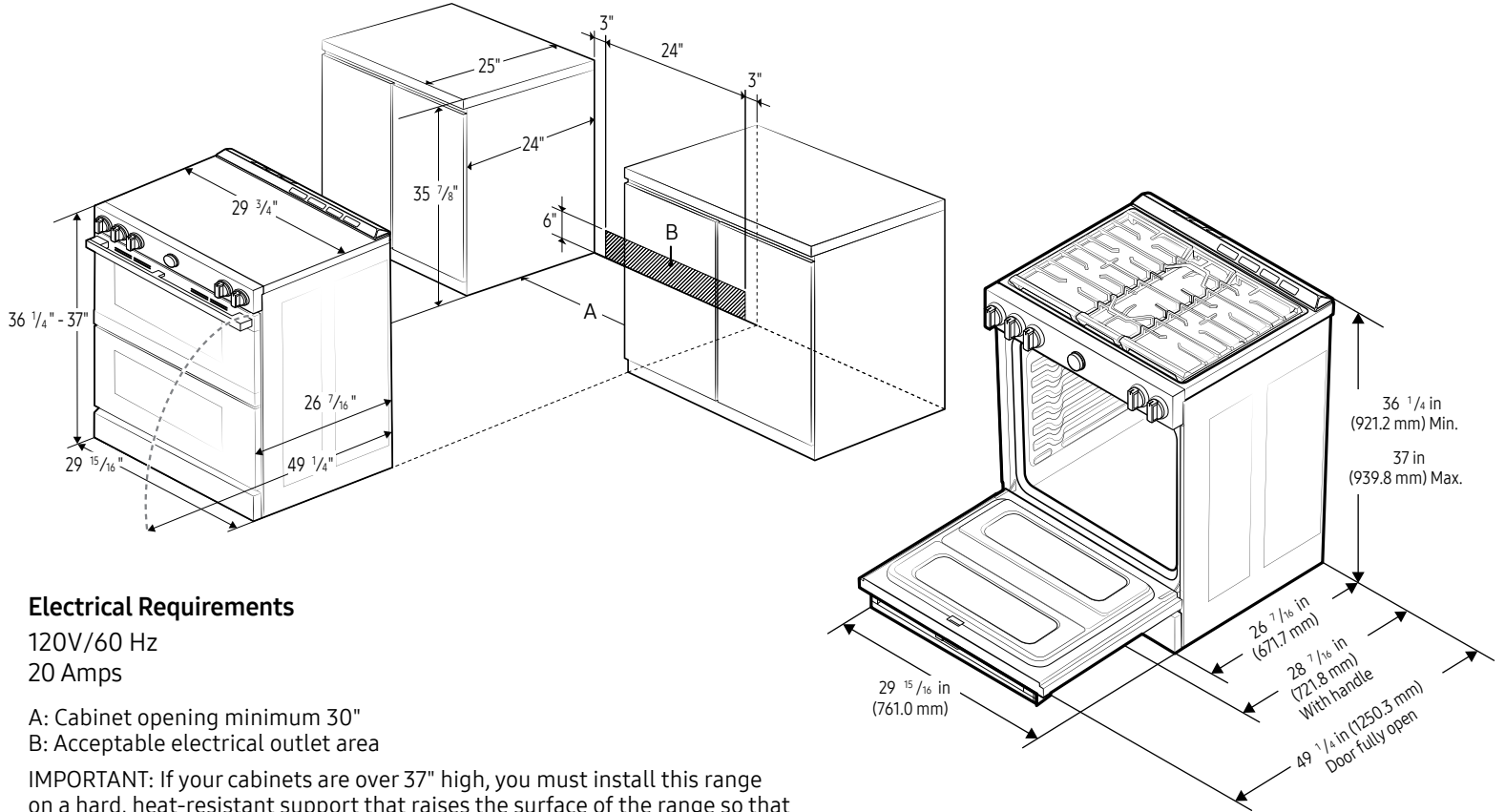
Finish	Model #	UPC Code
Stainless Steel	NSG6DG8550SR	887276870892

NSG6DG8550

SAMSUNG

Bespoke Smart Slide-In Gas Range 6.0 cu. ft.
with Flex Duo™ & Illuminated Precision Knobs

Installation Specifications



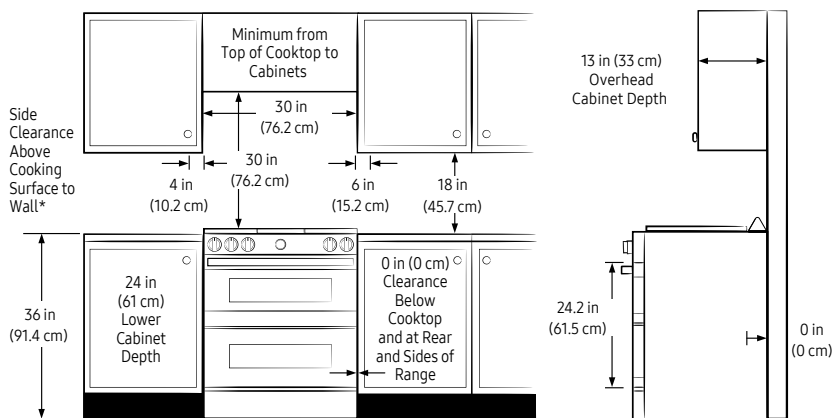
Electrical Requirements

120V/60 Hz
20 Amps

A: Cabinet opening minimum 30"
B: Acceptable electrical outlet area

IMPORTANT: If your cabinets are over 37" high, you must install this range on a hard, heat-resistant support that raises the surface of the range so that it is about even with the countertop.

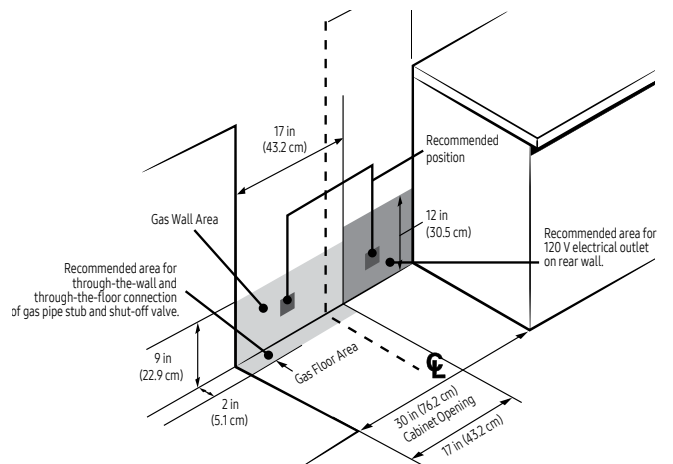
Installing Your Range



*Side clearance above cooking surface to any objects, i.e., wall.

IMPORTANT: Consult with the Installation Manual for detailed instructions before installing.
All ranges must be installed with the Anti-Tip device that is included.

Recommended Locations for Gas Piping and Electrical Outlets



Actual color may vary. Design, specifications, and color availability are subject to change without notice. Non-metric weights and measurements are approximate.

©2024 Samsung Electronics America, Inc. 85 Challenger Road, Ridgefield Park, NJ 07660. Tel: 800-SAMSUNG. samsung.com. Samsung is a registered trademark of Samsung Electronics Co. Ltd.

