

# NV51T5511S

30" Single Wall Oven

SAMSUNG



## Signature Features

### 5.1 cu. ft. Capacity

- Accommodates a roast, multiple casserole dishes, or two full racks of cookies.

### Digital Touch Controls with Wi-Fi

- Touch Controls offer an integrated and premium design that is easy to clean.

### Blue Ceramic Interior

- Blue Ceramic enamel interior offers a premium look and feel.

## Available Colors



Stainless Steel (shown)



Fingerprint Resistant  
Black Stainless Steel



Digital Touch Controls



Blue Ceramic Interior

## Features

- 5.1 cu. ft. Capacity
- Wi-Fi Connectivity
- Glass Touch Controls
- Steam Clean & Self-Clean
- Halogen Lights
- Easy View Window
- 2 Heavy-Duty Racks
- Broil Element
- 6 Rack Positions
- Drop-Down Door Design
- ADA Compliant

## Convenience

- Sabbath Mode
- Hidden Heating Element
- Delay Start
- Child Safety Lock
- Proofing
- Warming Mode
- Kitchen Timer



ADA Compliant

# NV51T5511S

SAMSUNG

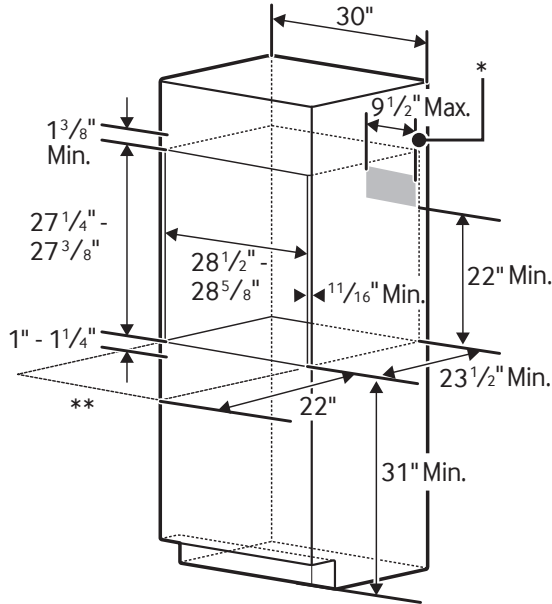
## 30" Single Wall Oven

### Cabinet Dimensions

Single Oven Installed in Cabinet

\* Junction Box

\*\* Allow a minimum of 22" for clearance to adjacent corners, drawers, walls, etc. when door is open.



### Total Capacity: 5.1 cu. ft.

- Hidden Bake Element
- Bake: 175°F–550°F
- Broil: Low-High
- Proofing
- Sabbath Mode

### Warranty

One (1) Year All Parts and Labor

### Product Dimensions & Weight (WxHxD)

Outside (Max) Wall Oven Dimensions: 29<sup>3</sup>/<sub>4</sub>" x 28<sup>13</sup>/<sub>16</sub>" x 26<sup>5</sup>/<sub>8</sub>"

Wall Oven Cut-Out Dimensions: 28<sup>1</sup>/<sub>2</sub>" x 27<sup>1</sup>/<sub>4</sub>" x 23<sup>1</sup>/<sub>2</sub>"

Weight: 129.6 lbs

### Shipping Dimensions & Weight (WxHxD)

Dimensions: 33<sup>11</sup>/<sub>16</sub>" x 33<sup>3</sup>/<sub>4</sub>" x 29<sup>13</sup>/<sub>16</sub>"

Weight: 151.9 lbs

### Color

Stainless Steel

### Model #

NV51T5511SS/AA

### UPC Code

887276384993

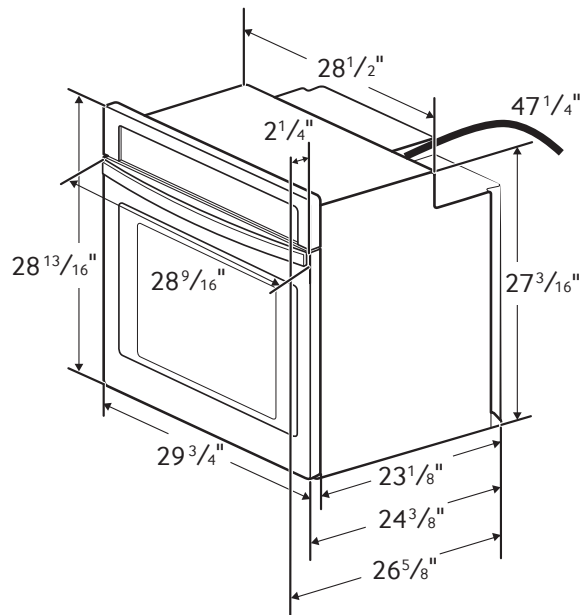
Fingerprint Resistant

Black Stainless Steel

NV51T5511SG/AA

887276385303

### Product Dimensions



KW RATING	
240V	4.5 kW
208V	3.4 kW
BREAKER SIZE	
240V	20 Amps
208V	20 Amps

Actual color may vary. Design, specifications, and color availability are subject to change without notice. Non-metric weights and measurements are approximate.

©2020 Samsung Electronics America, Inc. 85 Challenger Road, Ridgefield Park, NJ 07660. Tel: 800-SAMSUNG. samsung.com. Samsung is a registered trademark of Samsung Electronics Co. Ltd.