

NX60A6751SS

SAMSUNG

Samsung Smart Freestanding Gas Range with Flex Duo™, Stainless Cooktop & Air Fry 6.0 cu. ft. Capacity



Signature Features

Flex Duo™

- Use the full oven for a large roast or split it into two smaller ovens that can cook at different temperatures, saving both time and energy.

Air Fry

- A healthier way to prepare your favorite fried foods right in your oven with little to no oil.* No preheating required.

Air Fry tray included.

*As compared to deep frying.

Convection+

- Heated fan element saves you time by cooking food fast and more evenly.

Available Colors

 Fingerprint Resistant
Stainless Steel (shown)

 Fingerprint Resistant
Black Stainless Steel



Flex Duo™



Air Fry

Features

- Flex Duo™
- Air Fry, Tray Included
- Convection+
- Large Oven Capacity – 6.0 cu. ft.
- Fingerprint Resistant Finish
- Extra Oven Settings - Bread Proof, Dehydrate, Favorite Cook, Keep Warm
- Removable Nonstick Griddle
- Wok Ring
- Edge-to-Edge Grates
- Storage Drawer

- Flexible Cooktop:
Five-Burner Cooktop
 - Right Front: 18K BTU Dual Ring
 - Left Front: 17K BTU
 - Right Rear: 5K BTU
 - Left Rear: 9.5K BTU
 - Center (Oval): 10K BTU

Convenience

- Wi-Fi Connectivity
- Voice-Enabled
- SmartThings Cooking
- Convection Auto Conversion
- Self Clean
- Sabbath Mode
- Child Safety Lock
- Delay Start
- Auto Oven Light
- Kitchen Timer



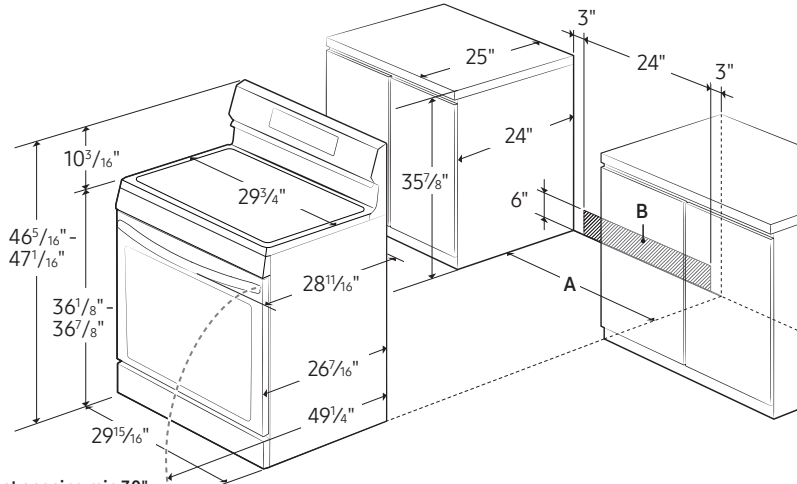
NX60A6751SS

SAMSUNG

Samsung Smart Freestanding Gas Range with Flex Duo™, Stainless Cooktop & Air Fry

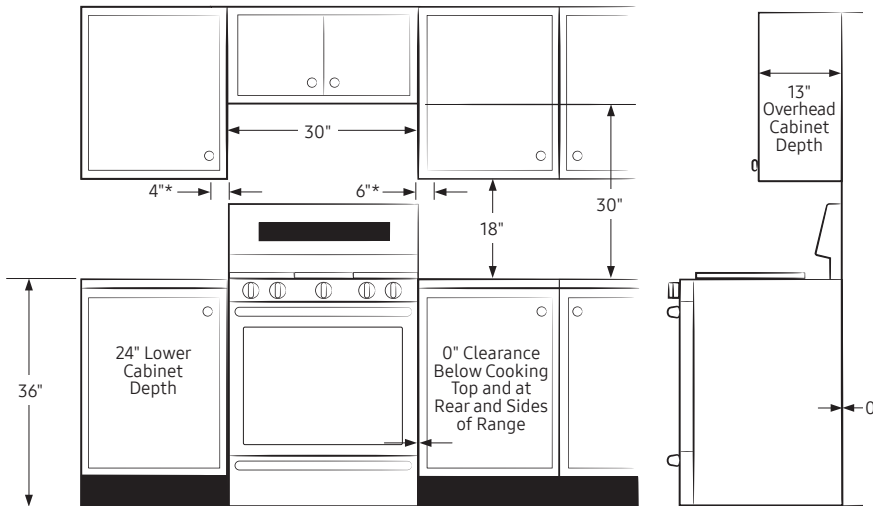
6.0 cu. ft. Capacity

Installing Your Range



A: Cabinet opening min 30"
B: Acceptable electrical outlet area

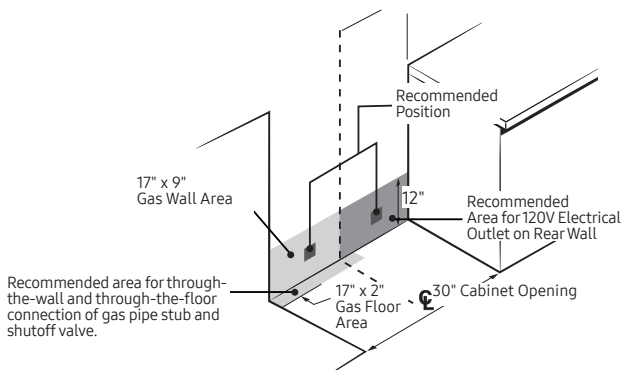
IMPORTANT: If your cabinets are over 36 3/4" high, you must install this range on a hard, heat-resistant support that raises the surface of the range so that it is about even with the countertop.



* Side clearance above cooking surface to any objects, i.e., wall.

IMPORTANT: Consult with Installation Manual for detailed instructions before installing. All ranges must be installed with the Anti-Tip device that is included.

Recommended Locations for Gas Piping and Electrical Outlets



Power Source

120 V/60 Hz/20 A

Total Power (BTU)

59,500 BTU

5-Burner Cooktop

- Right Front: 18K BTU, Dual Ring
- Left Front: 17K BTU
- Right Rear: 5K BTU
- Left Rear: 9.5K BTU
- Center (Oval): 10K BTU

Oven

- Upper Capacity: 3.4 cu. ft.
- Lower Capacity: 2.5 cu. ft.
- Convection Element/Heater
- Convection Bake
- Convection Roast
- Bake
- Variable Broil: Low/High
- Air Fry
- Bread Proof
- Dehydrate

Warranty

One (1) Year Parts and Labor

Product Dimensions & Weight (WxHxD)

Oven Interior Dimensions:

24¹³/₁₆" x 21⁵/₈" x 19⁵/₈"

Outside Net Dimensions:

29¹⁵/₁₆" x 46⁵/₁₆"-47¹/₁₆" (Adjustable) x 28¹¹/₁₆"

Weight: 219 lbs

Shipping Dimensions & Weight (WxHxD)

Dimensions:

33¹/₁₆" x 50⁹/₁₆" x 30⁵/₁₆"

Weight: 243 lbs

Color

Fingerprint Resistant

Stainless Steel

Model

NX60A6751SS

UPC Code

887276551647

Fingerprint Resistant

Black Stainless Steel

NX60A6751SG

887276551630



Actual color may vary. Design, specifications, and color availability are subject to change without notice. Non-metric weights and measurements are approximate.

©2021 Samsung Electronics America, Inc. 85 Challenger Road, Ridgefield Park, NJ 07660. Tel: 800-SAMSUNG. samsung.com. Samsung is a registered trademark of Samsung Electronics Co. Ltd.