



Microwave Oven – User’s Guide
Horno de Microondas – Guía de Usuario
Four Micro-ondes – Guide de l’utilisateur

Models:

OM-1600ST (Stainless / Acero / Aspect inoxydable)

OM-1600K (Black / Negro / Noir)

OM-1600W (White / Blanco / Blanc)

www.impecca.com

TABLE OF CONTENTS

Important Safety Instructions.....	3
What's in the Box	4
Getting to know your Microwave oven.....	4
Cautions & Warnings.....	5
Electrical Grounding.....	6
Installing your Microwave Oven.....	7
Control Panel.....	8
Operating your Microwave Oven	9
Additional Features and Functionality.....	12
Utensils and materials.....	13
Cooking Techniques	15
Cleaning and care.....	16
Troubleshooting Tips	18
Technical Specifications	19
Customer Support.....	19
One Year Limited Appliance Warranty (US).....	20

IMPORTANT SAFETY INSTRUCTIONS

PLEASE SAVE THESE INSTRUCTIONS. YOU MAY NEED THEM IN THE FUTURE.

WARNING: BEWARE OF EXPOSURE TO EXCESSIVE MICROWAVE ENERGY

To reduce the risk of burns, electric shock, fire, injury to persons (yourself or others) or exposure to excessive microwave energy when using your appliance, follow basic safety precautions, including the following:

Do not attempt to operate this oven with the door open as this can result in harmful exposure to microwave energy. Do not override or tamper with the internal safety protections.

Do not place any object between the oven front face and the door or allow dirt or other residues to accumulate on the sealing surfaces.

Do not cover or block any openings on the oven.

Do not operate the oven if it is damaged. It is important that the oven door closes properly and that there is no damage to the:

- DOOR (bent)
- HINGES AND LATCHES (broken or loosened)
- DOOR SEALS AND SEALING SURFACE

The oven should not be adjusted or repaired by anyone except properly qualified service personnel.

Please do not dispose of this appliance in a domestic garbage receptacle. It should be disposed of at the disposal center provided and recommended by your municipality.

FOR HOUSEHOLD USE ONLY

SAVE THESE INSTRUCTIONS

WHAT'S IN THE BOX

You have received the following in your appliance's box.

- 1** Microwave Oven
- 2** User's Guide
- 3** Microwave Oven Accessories



3 MICROWAVE OVEN ACCESSORIES

PART (for illustration only, may not be identical)	PART DESCRIPTION	QUANTITY INCLUDED
	Microwave Glass Tray	1 piece
	Roller Ring	1 piece

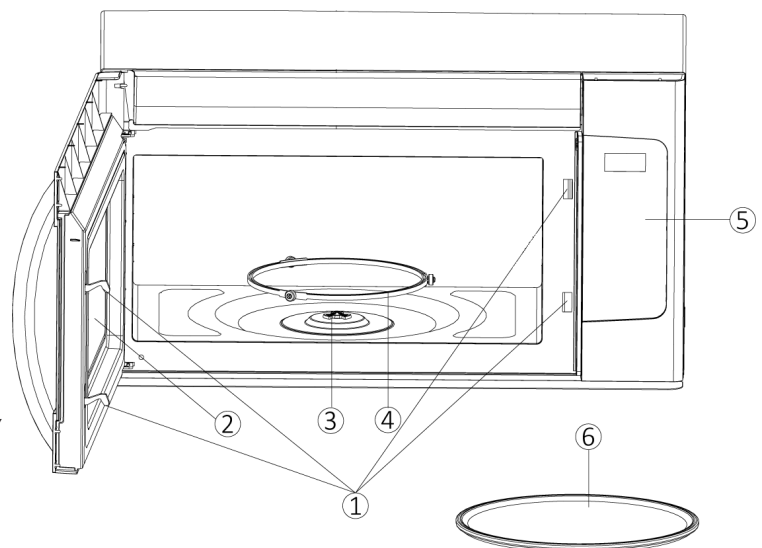
Avoid damaging your new appliance!

If the required accessories are missing, please contact Customer Support.

GETTING TO KNOW YOUR MICROWAVE OVEN

- 1. Door Safety Lock System
- 2. Oven Window
- 3. Roller Ring
- 4. Shaft
- 5. Control Panel
- 6. Glass Tray

Items shown are for illustrative purposes only and may vary in appearance.



CAUTIONS & WARNINGS

Carefully review all of these specifications and warnings BEFORE operating your microwave oven. Failure to do so may cause fires, damage, injury or bodily harm including permanent disability and/or death.

Use containers only known to be microwave safe!

1. Install or place this oven in strict accordance with the installation instructions provided.
2. Use this appliance only for its intended uses as described in this manual. Do not use corrosive chemicals or vapors in or near the appliance. This oven is specifically designed to heat, cook or dry food in a *home* consumer setting. It is not designed for industrial or laboratory use.
3. Do not store or use this appliance outdoors. Do not use this oven near water, (for example, near a kitchen sink), in a wet basement, near a swimming pool, or other wet locations.
4. As with any cooking appliance, closely supervise any use to reduce the risk of a fire in the oven. Close supervision is especially necessary when the appliance is used by children.
5. Remove wire twist-ties and metal handles from containers and bags before placing them in the oven.
6. If materials inside the oven ignite, keep the oven door closed! Turn the oven off and unplug the appliance. Disconnect the power cord and shut off power at the fuse or circuit breaker panel.
7. Do not use the oven cavity for storage purposes.
8. This oven must be grounded with a properly grounded outlet. See the section "**ELECTRICAL GROUNDING**".
9. Do not immerse the cord or plug in water. Keep cord away from heated surfaces. Do not let the cord hang over the edge of a table or counter. Do not operate this oven if the cord or plug is damaged or is not working properly.
10. Do not overcook food. Carefully monitor the appliance when paper, plastic, or other combustible materials are placed inside the oven.
11. Some products, such as whole eggs and sealed containers such as glass jars, are prone to explode and should not be heated in the oven. Pierce foods with heavy skins such as potatoes, whole squash, apples and chestnuts before cooking.
12. The contents of feeding bottles and baby jars should be stirred or shaken and the temperature should be checked before serving in order to avoid burns. Make sure these items are microwave safe!
13. Liquids such as water, coffee, or tea can be overheated beyond the boiling point without appearing to boil. Bubbling or boiling is not always visible. This can result in scalding liquids suddenly boiling over when the container is disturbed or a spoon or if another utensil is inserted into the liquid. Stir liquids both before and halfway through heating.
14. After heating, allow the containers to stand in the microwave oven for a short time before removing the container. Use extreme care when inserting a spoon or other utensil into the container. Do not use straight-sided containers with narrow necks.
15. Cooking utensils may become hot due to heat being transferred from the heated food. Potholders may be needed to handle the utensil.
16. Use only thermometers that are specifically designed for use in microwave ovens.
17. Be certain the glass tray and roller rings are in place when you operate the oven
18. Do not operate any heating or cooking appliance *beneath* this appliance.
19. This appliance should only be serviced by qualified service technicians. Contact technical support for information regarding your closest authorized service center for further examination, repair, or adjustment to your appliance.

ELECTRICAL GROUNDING

DANGER: ELECTRICAL SHOCK HAZARD

Touching the internal components of this oven can cause serious personal injury or even death. Do not disassemble this appliance.

Improper use of the grounding plug can result in electric shock. Do not plug the oven into an outlet unless the outlet is properly installed and grounded.

THREE-PRONGED (GROUNDING) PLUG

This appliance must be used with a properly installed and grounded 120 volt 60 Hz, 20 amp AC outlet. In the event of an electrical short circuit, grounding reduces the risk of electric shock by providing an escape wire for the electric current. This appliance is equipped with a grounding-wire cord with a third, round grounding plug. Consult a qualified electrician or serviceman if the grounding instructions are not completely understood or if doubt exists as to whether the appliance is properly grounded.

A short power-supply cord is provided to reduce the risk of entanglement or tripping. Extension cords are available and may be used if done so with great care.

If an extension cord is used with this appliance:

- The marked electrical rating of the cord should be at least as great as the electrical rating of the appliance.
- The extension cord must be a grounding-type 3-wire cord
- The extension cord should be arranged so that it will not drape over the countertop or tabletop where it can be pulled on by children or tripped over unintentionally.

RADIO INTERFERENCE

This equipment generates, uses and can radiate radio frequency energy. If the unit is not installed and used in accordance with the instructions, it may cause harmful interference to radio communications. Operation of the microwave oven may cause interference to your radio, TV or similar equipment. Any interference may be reduced or eliminated by taking the following measures:

- Clean the door and sealing surface of the oven
- Reorient the receiving antenna of the radio or television.
- Relocate the microwave oven with respect to the receiver.
- Move the microwave oven away from the receiver.
- Plug the microwave oven into a different outlet so that the microwave and receiver are on different branch circuits.

INSTALLING YOUR MICROWAVE OVEN

INSTALLATION PROCEDURE

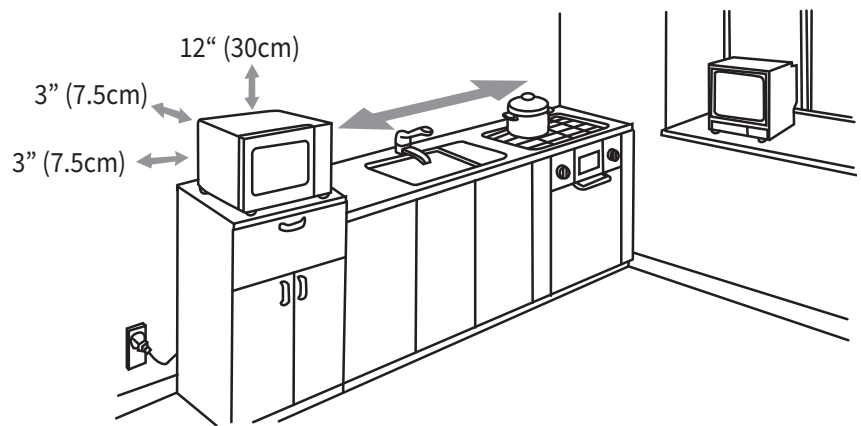
1. Before installation and operation:

- Remove all packing materials and accessories. Ensure there are no packing materials inside the microwave.
- Examine the oven for any damage such as dents or a broken door. If the unit is damaged, do not install it! Contact technical support or the place of purchase.
- Remove any protective film found in or on the microwave oven.

Warning: Do not remove the light brown Mica cover that is attached inside the oven cavity. This protects the magnetron.

2. Select a level and stable surface that provides enough open space for the intake and/or outlet vents. Blocking the intake and/or outlet openings can damage the oven. Do not place the oven where heat, moisture, or high humidity are generated.

- A minimum clearance of 3 inches (7.5cm) is required between the oven and any adjacent walls. One side must be open for proper ventilation and heat dispersal.
- Leave a minimum clearance of 12 inches (30cm) above the oven.



- Place the oven as far away from radios and TVs as possible.
- The surface should be more than stable enough to support the microwave itself along with any food that will be placed inside of it.

3. Plug your oven into a standard household outlet. Be sure the voltage and the frequency is the same as the voltage and frequency on the rating label.

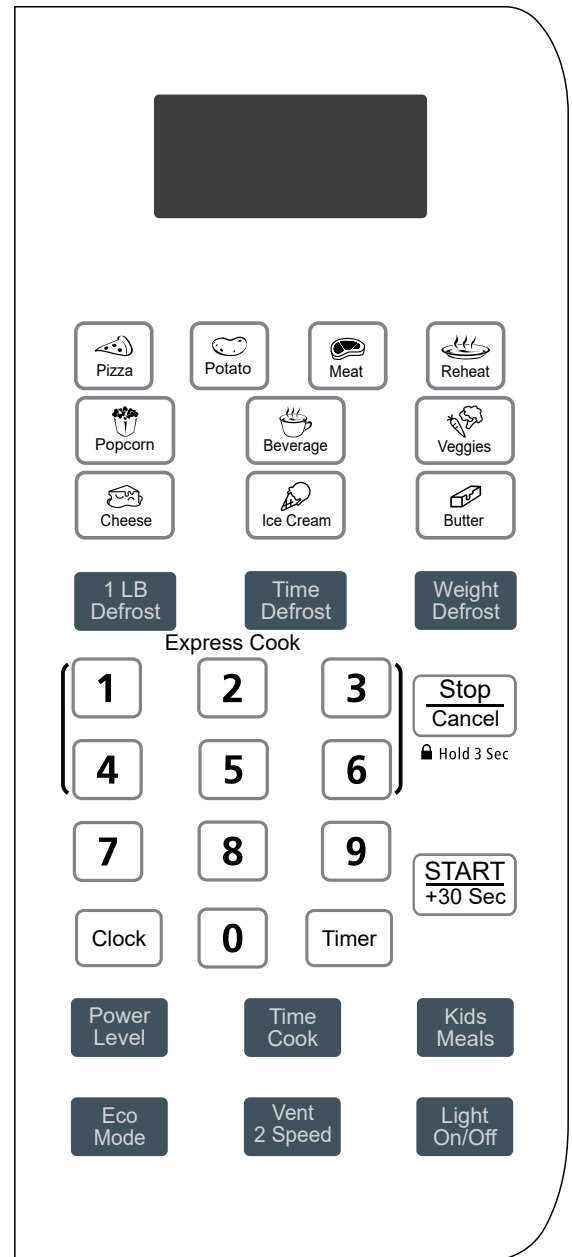
- Be sure that the power supply cord is undamaged and does not run **under** the microwave oven or over any hot or sharp surfaces.
- The socket must be readily accessible so that it can be easily unplugged in an emergency.

TURNTABLE INSTALLATION

Your microwave should come with the roller ring already installed. The glass tray must rest perfectly centered on top of the wheels of the spindle to operate properly. Do not operate the oven without glass tray and roller ring in their proper positions.

CONTROL PANEL

- **MENU SCREEN**
Cooking time, power level, and present time are displayed here
- **QUICK FOOD BUTTONS**
Instant settings to cook or heat popular food items like Popcorn, Pizza and Potatoes.
- **1LB DEFROST**
Allows you to defrost food quickly
- **TIME DEFROST**
Defrosting based on the time entered.
- **WEIGHT DEFROST**
Defrosting based on the weight of the food
- **NUMBER PAD (0-9)**
Touch to set time, weight or amount
For **EXPRESS COOK**, simply touch buttons 1-6 to instantly start cooking at 100% for that number in minutes.
- **CLOCK**
Set the oven clock display
- **TIMER**
Set a kitchen timer. This timer does not start or stop the microwave oven.
- **POWER LEVEL**
Set the cooking power level
- **TIME COOK**
Use for timed cooking. This also enables automatic cooking at multiple power and time settings
- **ECO MODE**
Press to enter power save mode
- **STOP/CANCEL**
Press to stop cooking or hold for 3 secs for child lock feature.
- **START/ADD 30 SEC**
Press this button to Start cooking or to add 30 seconds to existing cook time
- **KIDS MEALS**
Used for commonly prepared children's foods
- **LIGHT**
Turns the oven light on and off
- **VENT**
Turns the oven vents on and off, or changes their speed.



NOTE: Actual product may differ slightly in appearance

OPERATING YOUR MICROWAVE OVEN

Before operating your microwave oven, be sure to familiarize yourself with the safety precautions in the previous sections. In addition, please review the **UTENSILS AND MATERIALS GUIDE** and **COOKING TECHNIQUES** sections covered later on this manual.

SETTING THE CLOCK

When the microwave is first plugged in, you will need to set the clock.

1. From standby mode, press the **CLOCK** button (press this a second time for 24 hr clock).
2. Use the number pads to enter the correct time.
3. Press the **START / Add 30Sec** button.

NOTE: During cooking, the time may be seen by pressing the CLOCK button.

THE +30 SEC BUTTON

3 important facts about this useful button:

1. Press this button during cooking to add another 30 seconds of cooking time. You may press it multiple times.
2. This function does not work during auto-cook or defrost.
3. if you press this button when there is no time entered and the microwave is on standby, the oven will automatically start at 100% power and begin cooking.

TIME COOK

1. Press **TIME COOK**.
2. Enter desired the cooking time on the number pad.
The maximum time allowed is 99 min. 99 sec.
3. Press **POWER LEVEL**.
4. Use the number pad to enter the power level
5. Touch **START/+30SEC** pad.

Note: During cooking, press the POWER LEVEL button to show the current cooking power. If cooking is paused due to opening the door, press START after the door is closed to resume cooking.

Press Number(s)	Display	Power level
9	PL-9	90%
8	PL-8	80%
7	PL-7	70%
6	PL-6	60%
5	PL-5	50%
4	PL-4	40%
3	PL-3	30%
2	PL-2	20%
1	PL-1	10%

MULTI-STAGE COOKING

Some recipes require different stages of cooking at different temperatures.

1. Press **TIME COOK**.
2. Enter desired the cooking time on the number pad.
3. To set a power other than 100%, Press **POWER LEVEL**.
4. Press **TIME COOK**.
5. Input the second stage microwave cooking program (power level and time).
6. Touch **START/+30 SEC** to start.

NOTE: *The maximum time allowed is 99 min. 99 sec.*

Auto-cook, defrost and Kids Meals cannot be set in a multi-stage program.

1LB DEFROST

In standby, press **1LB DEFROST** pad once and the system will start defrosting automatically. Use small smooth strips of aluminum foil to cover edges and thinner sections of the food.

TIME DEFROST

1. Press the **TIME DEFROST** button.
2. Enter the desired defrosting time on the number pad. (The maximum cooking time you can set is 99 minutes and 99 seconds).
3. Press the **START / Add 30Sec** button.

DEFROST BY WEIGHT

1. Press **WEIGHT DEFROST**.
2. Use the number pad to enter the food weight in ounces (Max weight is 96)
3. Press the **START/+30 SEC** button.

During the WEIGHT DEFROST program, the system will pause and beep to remind you to turn the food over. After turning the food over, press the **START/+30 SEC** button to resume cooking.

AUTO COOK FOOD MENU

For some food, it is not necessary to program the time and the cooking power level. You can use the food item buttons on the control panel instead.

BUTTER, CHEESE OR ICE CREAM

1. Press the food button once
2. Select 1 or 2 on the number pad to select the amount. Press 1 for 4oz or Press 2 for 8oz.
3. Press **Start/Add 30Sec** to start cooking.

POPCORN

POPCORN automatically sets the cooking time for a 3.5oz. bag of microwave popcorn.

1. Press the **POPCORN** button once.
2. Press **Start/Add 30Sec** pad to start cooking.

PIZZA, POTATOES, MEAT, REHEAT AND VEGGIES

1. Press the food button once
2. Enter the weight number, in ounces
3. Press **Start/Add 30Sec** to start cooking

Acceptable weight ranges:

Food	Weight ranges
Pizza	10 - 28 oz
Potato	1 - 48 oz
Meat	1 - 32 oz
Reheat	1 - 37 oz
Veggies	1 - 48 oz

BEVERAGE

For cups (4-5 oz)

1. Touch **BEVERAGE**
2. Press the number of servings
3. Press **Start/Add 30Sec** pad to start cooking.

KID'S MEALS

The KIDS MEALS button lets you cook 4 different kid's food items.

1. Press **the KIDS MEAL** Button
2. Enter 1 - 4 for the following:
1 (Chicken Nuggets) **2** (Hot Dogs) **3** (French Fries) **4** (Frozen Sandwiches)
3. Press **Start/Add 30Sec** pad to confirm that choice.
(Hot Dogs or Sandwiches will start right away).
4. If you chose **1** or **3** in the prior step, you must now enter either 1 -2 to specify 4 or 8 oz.
5. Press **Start/Add 30Sec** pad to start cooking.

ADDITIONAL FEATURES AND FUNCTIONALITY

LIGHT CONTROL

To turn on the light at the bottom of the oven, press **Light On/Off**:

VENT FAN CONTROL

Your oven can be used as a range hood. When it is turned on, the fan motor starts filtering out smoke, odors, and grease generated from cooking. In standby mode, the vent fan is manually controlled. Press the **VENT** button to toggle between Low (shown as "Vent.L"), High (shown as Vent.H) or to turn the vent off.

ECO MODE

In standby mode, press **Eco Mode** to enter the power save mode. At this point, the display is off. Press any key to light the display again. If there is not any operation within 1 minute, the system automatically enters the power saving mode. Press the **Eco Mode** button again from standby mode to disable it.

CHILD LOCK

The appliance has a safety lock which prevents unsupervised operation by children. To activate this feature, press and hold the **STOP/CANCEL** button for 3 seconds. "LOCK" is indicated on the Menu Action Screen.

To turn off the lock, press and hold **STOP/CANCEL** for 3 seconds. The "LOCK" indicator will disappear.

OVEN TIMER

The oven timer is used independently of the cooking cycle. To set the timer:

1. Press the **TIMER** button.
2. Enter the amount of time, using the number buttons. The max allowed is 99 minutes and 99 seconds.
3. Press the **START / Add 30Sec** button to start.

NOTE: You can check the countdown time by pressing the timer button. Pressing STOP/CANCEL will cancel the timer.

OTHER FUNCTIONS

- For **EXPRESS COOK**, simply touch buttons 1-6 to instantly start cooking at 100% for that number in minutes.
- When cooking interrupted for 1 minute, the system returns to standby mode automatically.
- Pressing **STOP/CANCEL** twice will stop cooking and erase the current program
- After cooking, the microwave will display "end" and beep every two minutes until **STOP** is pressed or the door is opened.
- If the oven beeps twice in a row during programming, there has been an invalid entry.

UTENSILS AND MATERIALS

The microwaves generated by this oven are attracted to and absorbed by fat, sugar and water molecules in the food, causing them to move, producing friction and heat which cooks the food.

1. Do not heat oil or fat for deep-frying. It is difficult to control the temperature of oil in a microwave oven.
2. Pierce foods such as potatoes, hot dogs, whole squash, apples, chestnuts and other things with a heavy skin before cooking.
3. The contents of feeding bottles and baby jars should be stirred or shaken and the temperature should be checked before serving in order to avoid severe burns.

The amount, size and shape, starting temperature, composition and density of the food all affect cooking results. Cookware and dinnerware must fit on the turntable. Always use oven mitts or pot holders when handling because any dish may become very hot. Do not use cookware or dinnerware with a gold or silver trim.

TESTING COOKWARE, UTENSILS, AND DINNERWARE FOR MICROWAVE USE

All cookware and utensils need to be known as microwave-safe. We know that metal doesn't go in the microwave, but there may be certain **non**-metallic utensils, cookware, and dinnerware that are **not safe** to use for microwaving. If in doubt, you can test the utensil in question by following the procedure below.

1. Put cookware, utensils, or dinnerware in the oven with 1 cup (250 ml) of water beside it.
2. Cook at 100% cooking power for 1 minute.
Note: When performing the test, do not exceed 1 minute of cooking time.
3. Do not use cookware, utensils, or dinnerware if they become hot, yet the water stays cool.

RECOMMENDED MATERIALS

The following may be used if they are labeled as microwave-safe:

- **Microwave browning dish** — Use to brown the exterior of small items such as steaks, chops, or pancakes. Follow the directions provided with your browning dish.
- **Microwaveable plastic wrap** — Use to retain steam. Leave a small opening for some steam to escape and avoid placing it directly on the food.
- **Paper towels and napkins** — Use for short-term heating and covering, as these absorb excess moisture and prevent spattering. Do not use *recycled* paper towels, which may contain metals and could ignite.
- **Glass and glass-ceramic bowls and dishes** — Use for heating or cooking.
- **Paper plates and cups** — Use for short-term heating at low temperatures. Do not use *recycled* paper, which may contain metals and could ignite.
- **Wax paper** — Use as a cover to prevent spattering.

LIMITED USE

Aluminum foil and some metal can be used in the microwave oven. If not used properly, arcing (a blue flash of light) can occur and cause damage to the microwave oven.

- **Aluminum foil** — Use narrow strips of foil to prevent overcooking of exposed areas. Using too much foil can damage your oven, so be careful. You should keep a distance of 1 inch (2.54cm) between aluminum foil and cavity or oven walls.
- **Ceramic, porcelain, and stoneware**— Use these if they are labeled as "Microwave Safe."
- **Plastic** — Use only if labeled "Microwave Safe." Other plastics can melt.
- **Thermometers** — Use only those labeled "Microwave Safe." inside the oven and follow all directions. Check the food temperature in several places.

NOT RECOMMENDED

- **Glass jars and bottles** — Regular glass is too thin to be used in a microwave. It can shatter and cause damage or injury.
- **Paper bags** — These are a fire hazard, except for popcorn bags that are designed for microwave use.
- **Styrofoam plates and cups** — These can melt and leave an unhealthy residue on food.
- **Plastic storage and food containers** — Containers such as margarine tubs can melt in the microwave and/or leave an unhealthy residue on food.
- **Metal utensils** — These can damage your oven. Remove all metal before cooking.
- Metal cookware and bakeware, gold, silver, pewter, non-approved meat thermometers, skewers, twist ties, foil liners such as sandwich wrappers, staples and objects with gold or silver trim or a metallic glaze should not be used in the microwave oven.

COOKING TECHNIQUES

Your microwave makes cooking easier than conventional cooking, provided you keep these considerations in mind:

STIRRING

Stir foods such as casseroles and vegetables while cooking (stop cooking, stir, then resume) to distribute heat evenly. Food at the outside of the dish absorbs more energy and heats more quickly, so stir from the outside to the center. The oven will turn off when you open the door to stir your food and you can press the START button to resume cooking.

ARRANGEMENT

Arrange unevenly shaped foods, such as chicken pieces or chops, with the thicker, meatier parts toward the outside of the turntable where they receive more microwave energy. To prevent overcooking, place delicate areas, such as asparagus tips, toward the center of the turntable.

SHIELDING

Shield food with narrow strips of aluminum foil to prevent overcooking. Areas that need shielding include poultry wing tips, the ends of poultry legs, and corners of square baking dishes. Use only small amounts of aluminum foil. Larger amounts can damage your oven.

TURNING

Turn foods over midway through cooking to expose all parts to the microwave energy. This is especially important with large foods such as roasts.

STANDING

Foods cooked in the microwave build up internal heat and continue to cook for a few minutes after heating stops. Let foods stand to complete cooking, especially foods such as cakes and whole vegetables. Roasts need this time to complete cooking in the center without overcooking the outer areas. All liquids, such as soup or hot chocolate, should be shaken or stirred when cooking is complete. Let liquids stand a moment before serving. When heating baby food, stir it well after it is removed from the oven and test the temperature before serving.

ADDING MOISTURE

Microwave energy is attracted to water molecules. Food that is uneven in moisture content should be covered or allowed to stand so that the heat disperses evenly. Add a small amount of water to dry food to help it cook.

CLEANING AND CARE

- The oven should be cleaned regularly and any food deposits should be removed. Failure to maintain the oven in a clean condition could lead to deterioration of the surface. This could adversely affect the life of the appliance and potentially result in a hazardous situation.
Turn off the oven and remove the power plug from the wall socket before cleaning.
- Keep the inside of the oven clean. When food splatters or spilled liquids adhere to oven walls, wipe it down with a damp cloth. Mild detergent may be used if the oven gets dirty. Avoid the use of spray and other harsh cleaners as they may stain, streak or dull the door surface.
- The outside surfaces should be cleaned with a damp cloth. To prevent damage to the operating parts inside the oven, water should not be allowed to seep into the ventilation openings.
- Wipe the window on both sides with a damp cloth to remove any spills or splatters.
- Do not allow the control panel to become wet. Clean it with a soft, damp cloth. When cleaning the control panel, leave the oven door open to prevent the oven from accidentally turning on.
- If steam accumulates inside or around the outside of the oven door, wipe it down with a soft cloth. This may occur when the microwave oven is used under high humidity conditions. In such case, it is normal.
- It is occasionally necessary to remove the glass tray for cleaning. Wash the tray in warm sudsy water or in a dishwasher. Ensure it is fully dry before placing it back into the microwave and then ensure that it is aligned properly before cooking again!
- The roller ring (for the glass tray) and oven floor should be cleaned regularly to avoid excessive noise or buildup. Simply wipe the bottom surface of the oven with mild detergent. The roller ring may be washed in mild sudsy water or in a dishwasher. Be sure to replace the ring and glass tray in the proper position before using the oven again.
- Remove odors from your oven by combining a cup of water with the juice and peel of one lemon in a deep, microwaveable bowl. Microwave it for 5 minutes. Dry it thoroughly with a soft cloth.
- When it becomes necessary to replace the oven light or charcoal filter, please consult a qualified service professional to have it replaced.

Waveguide Cover

The waveguide cover is located on the ceiling in the oven cavity. It is made from mica and requires special care. Keep the waveguide cover clean to assure good oven performance. Carefully wipe it with a damp cloth and clear any food spatters from the surface of the cover immediately after they occur. Built-up residue may cause smoke or fire.

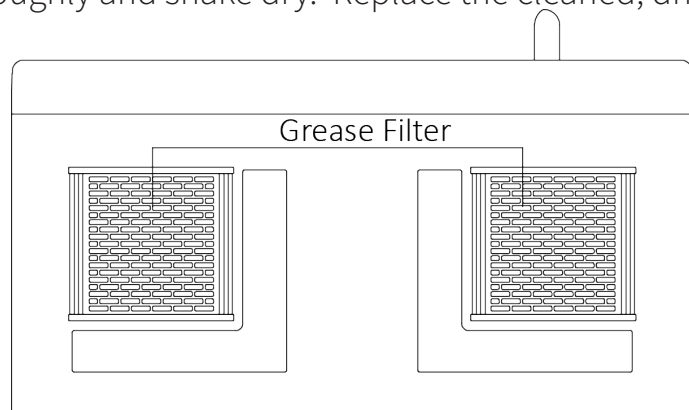
DO NOT REMOVE THE WAVEGUIDE COVER.

Charcoal Filter and Bulb

The charcoal filter and light bulbs in this unit are replaceable, but should be replaced by an authorized service technician. The filter may need to be changed every 6 to 12 months, depending on use.

Grease Filters

The grease filters should be cleaned at least once a month. Never operate the fan or oven without these filters in place. Pull down slightly on the tab toward the front of the oven and remove the filter. Repeat this for the other filter. Soak the filter in a sink or dish pan filled with hot water and detergent. DO NOT use ammonia or other alkalis as they will react with the filter material and darken it. Agitate and scrub with a brush to remove embedded dirt. Rinse thoroughly and shake dry. Replace the cleaned, dried filter back into the opening.



TROUBLESHOOTING TIPS

ENGLISH

ESPAÑOL

FRANÇAIS

PROBLEM	POSSIBLE CAUSE	POSSIBLE REMEDY
Oven will not start	<ul style="list-style-type: none"> • Electrical cord is not plugged in • Oven door is open • Wrong procedure or sequence entered 	<ul style="list-style-type: none"> • Be sure that the unit is plugged into the outlet • Close the oven door and retry • Check instructions to be sure that the procedure is correct
Sparkling or arcing inside oven while cooking	<ul style="list-style-type: none"> • Materials to be avoided in microwave oven were used • The oven is operated while empty • Spilled food remains in the cavity 	<ul style="list-style-type: none"> • Use microwave-safe cookware only • Do not start cooking when oven is empty. • Clean the oven with a wet towel
Unevenly cooked foods	<ul style="list-style-type: none"> • Materials to be avoided in microwave oven were used. • Food is not defrosted completely • Cooking time or power level is not suitable for the food • Food has not been turned or stirred 	<ul style="list-style-type: none"> • Use microwave-safe cookware only • Completely defrost food • Use correct cooking time and/or power level • Turn or stir food.
Overcooked foods	<ul style="list-style-type: none"> • Cooking time, power level is not suitable 	<ul style="list-style-type: none"> • Use correct cooking time and/or power level.
Undercooked foods	<ul style="list-style-type: none"> • Materials to be avoided in microwave oven were used • Food is not defrosted completely • Oven ventilation ports are restricted • Cooking time or power level is not enough. 	<ul style="list-style-type: none"> • Use microwave-safe cookware only • Completely defrost food • Check to see if the oven ventilation ports are restricted • Use correct cooking time and/or power level.
Food is not defrosting properly	<ul style="list-style-type: none"> • Materials to be avoided in microwave ovens were used • Cooking time or power level is not suitable for the food • Food has not been turned or stirred 	<ul style="list-style-type: none"> • Use microwave-safe cookware only. • Use correct cooking time and/or power level. • Turn or stir food.

TECHNICAL SPECIFICATIONS

Power Consumption:	120V~60Hz, 1650W (MICROWAVE)
Output:	1000W
Operation Frequency:	2450MHz
Outside Dimensions(H×W×D):	16 7/8”(H) ×29 7/8 ”(W) ×17 11/16”(D)
Oven Cavity Dimensions(H×W×D):	10 3/16”(H)× 21 5/16”(W) ×14 10/16”(D)
Oven Capacity:	1.6 cu.ft
Net Weight:	Approx. 55.1 lbs.

CUSTOMER SUPPORT

Before contacting customer support, please see the troubleshooting section above.

Visit our website to contact us, find answers to Frequently Asked Questions, and for other resources which may include an updated version of this user's guide.

 WWW.IMPECCA.COM

If you wish to contact us by phone, please be sure to have your model number and serial number ready and call us between 9:00am and 6:00pm ET, at +1 866-954-4440.

Keep tabs on Impecca's newest innovations & enter contests via our social network feeds:

 www.facebook.com/Impecca/

 www.instagram.com/impecca/

 [@impeccausa](https://twitter.com/impeccausa)

ONE YEAR LIMITED APPLIANCE WARRANTY (US)

Impecca™ warrants this product against defects in material and workmanship to the original purchaser as specified below.

PARTS AND LABOR- if the product is determined to have a manufacturing defect, within a period of one year from the date of the original purchase, Impecca™, at its own discretion, will repair or replace the product parts at no charge to you in the U.S.A.

To obtain warranty service by an authorized Impecca™ service center, please email us at: service@impecca.com to obtain a Repair and Maintenance Authorization (RMA) number and received instructions on how the repair and/or replacement procedure will take place.

Any glass materials included with the appliance will be covered for a period of 60 days from purchase.

Impecca™ specifically excludes from this warranty any non-electric/mechanical attachments, accessories and disposable parts including but not limited to outside case, connecting cables, batteries and AC adapters. Impecca™ reserves the right to repair or replace defective products with the same, equivalent or newer models.

We reserve the right to either repair or replace product at our discretion. Replacement may be either new or refurbished and while every endeavor will be made to ensure it is the same model, if not possible it will be equal or higher specification.

Normal "Wear and Tear" is not covered by this warranty. Further, Impecca™ hereby reserves the right to determine "Wear and Tear" on any and all products. Tampering or opening the product casing or shell will void this warranty in its entirety.

Exclusions: This warranty does not cover the following:

1. Any product that has a defaced or covered serial number.
2. Products that have been transferred to a second owner.
3. Rust on the interior or exterior of the unit.
4. Products listed as "As-Is" or "Refurbished."
5. Food loss due to any product failure.
6. Window air conditioners installed in a wall.
7. The product if used in a commercial setting.
8. Service calls that do not involve product malfunction.
9. Service calls for a product ruined by not following the provided instructions.
10. Service calls to correct improper installation.

11. Costs associated with making the product accessible for servicing (including but not limited to removal of trim/molding/cabinetry, etc.)
12. Service calls to replace any consumables such as light bulbs, filters, etc.
13. Surcharges that may apply to service calls on weekends, nights, holidays. Damages to the finish of appliance or household furnishings due to installation of appliance.
14. Damages caused by any of the following: Acts of God; fires; misuse; accidents; incorrect power supply; service performed by unauthorized persons; use of non-genuine Impecca parts, etc.

ALL IMPLIED WARRANTIES, INCLUDING IMPLIED WARRANTIES OF MERCHANTABILITY AND FITNESS FOR A PARTICULAR PURPOSE ARE LIMITED IN DURATION TO 1 YEAR FROM THE DATE OF THE ORIGINAL RETAIL PURCHASE OF THIS PRODUCT.

THESE WARRANTIES AND REMEDIES ARE THE SOLE AND EXCLUSIVE WARRANTIES AND REMEDIES IN CONNECTION WITH THE SALE AND USE OF THE PRODUCT. NO OTHER WARRANTIES, ORAL OR WRITTEN, EXPRESSED OR IMPLIED, ARE GIVEN.

IMPECCA™ IS NOT RESPONSIBLE OR LIABLE FOR ANY DAMAGE, WHETHER SPECIAL, INCIDENTAL, CONSEQUENTIAL, DIRECT OR OTHERWISE, OR WHETHER KNOWN OR SHOULD HAVE BEEN KNOWN TO IMPECCA™, INCLUDING LOST PROFITS, GOODWILL, AND PROPERTY AND PERSONAL INJURY RESULTING FROM ANY BREACH OF WARRANTY, THE INABILITY TO USE THE PRODUCT OR UNDER ANY LEGAL THEORY IN CONTRACT OR TORT. IMPECCA LIABILITY IS LIMITED TO THE ACTUAL PURCHASE PRICE PAID TO THE RETAIL SELLER OF THE DEFECTIVE PRODUCT.

No Impecca™ dealer, agent or employee is authorized to make any modification, extension, change or amendment to this warranty without the written consent and authorization from Impecca™.

Some states do not allow the exclusion or limitation of implied warranties or liability for incidental or consequential damages, or do not allow a limitation on how long an implied warranty lasts, so the above limitations or exclusions may not apply to you. This warranty gives you specific legal rights, and you have other rights, which vary from state to state.

Note: Our Warranty center services only to Continental U.S.A.

TABLA DE CONTENIDO

Instrucciones Importantes de Seguridad	23
Qué Hay en la Caja	24
Conociendo Su Horno De Microondas.....	24
Precauciones y Advertencias.....	25
Conexión Eléctrica a Tierra.....	26
Instalando su Horno de Microondas.....	27
Panel de Control	28
Poniendo en Funcionamiento su Horno de Microondas	29
Características Adicionales y Funcionalidad	32
Utensilios y Materiales.....	33
Técnicas de Cocción	35
Limpieza y Cuidados.....	36
Solución de Problemas.....	38
Especificaciones Técnicas	39
Soporte al Cliente	39
Garantía limitada por un año	40

INSTRUCCIONES IMPORTANTES DE SEGURIDAD

POR FAVOR CONSERVE ESTAS INSTRUCCIONES. PUEDE NECESITARLAS EN EL FUTURO.

ADVERTENCIA: TENGA CUIDADO A LA EXPOSICIÓN DE ENERGÍA EXCESIVA DE MICROONDAS

Para reducir el riesgo de quemaduras, descarga eléctrica, incendio o lesiones a personas (usted y otros) o la exposición a la energía excesiva del microondas, cuando utilice su electrodoméstico observe las precauciones básicas de seguridad, incluyendo las siguientes:

No intente operar este horno con la puerta abierta. Esto puede resultar en una exposición dañina a la energía del microondas. No anule o altere las protecciones internas de seguridad.

No coloque ningún objeto entre la parte frontal del horno y la puerta o permita que la suciedad u otros residuos se acumulen en las superficies selladoras.

No cubra u obstruya ninguna apertura del horno.

No ponga en funcionamiento el horno si este está dañado. Es importante que la puerta del horno cierre adecuadamente y que no haya daños en:

- PUERTA (torcida)
- BISAGRAS Y PESTILLOS (rotos o sueltos)
- SELLOS DE LAS PUERTAS Y SUPERFICIE DE SELLADO

El horno no debe ser ajustado o reparado por ninguna persona que no sea un técnico de servicio calificado.

No se deshaga de este electrodoméstico en la basura normal de la casa, debe depositarse en un centro de desechos recomendado por su municipio.

ÚNICAMENTE PARA USO DOMÉSTICO

GUARDE ESTAS INSTRUCCIONES

QUÉ HAY EN LA CAJA

Por favor verifique que en la caja se encuentren los siguientes artículos.

- 1** Horno de microondas
- 2.** Guía de usuario
- 3** Accesorios del horno de microondas



3 ACCESORIOS DEL HORNO DE MICROONDAS

PARTE (sólo para fines ilustrativos, puede no ser idéntico)	DESCRIPCIÓN DE LA PARTE	CANTIDAD INCLUIDA
	Plato de vidrio para el microondas	1 pieza
	Aro del plato giratorio	1 pieza

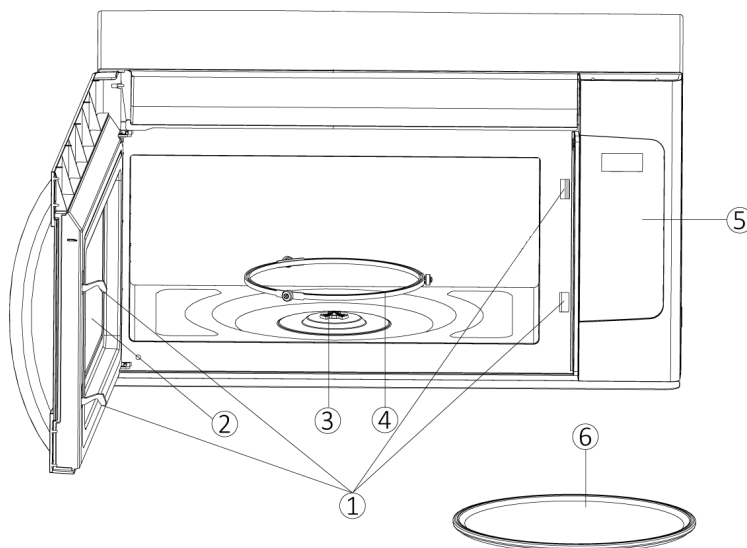
¡Evite daños a su nuevo electrodoméstico!

Si faltan los accesorios requeridos, entre en contacto con el departamento de Soporte al Cliente.

CONOCIENDO SU HORNO DE MICROONDAS

- 1. Sistema de cierre de seguridad de la puerta
- 2. Ventana del horno
- 3. Aro del plato giratorio
- 4. Eje
- 5. Panel de control
- 6. Plato de vidrio

Los elementos mostrados son solo con propósitos ilustrativos y pueden variar en apariencia.



PRECAUCIONES Y ADVERTENCIAS

Revise cuidadosamente todas estas especificaciones y advertencias ANTES de poner en funcionamiento su horno de microondas. No hacerlo puede causar daños, lesiones o lesiones corporales incluyendo discapacidad permanente y/o la muerte.

¡Utilice solo contenedores que sabe que son para su uso en microondas!

1. Instale o coloque este horno estrictamente de acuerdo con las instrucciones de instalación proporcionadas.
2. Utilice este electrodoméstico sólo para el uso previsto como se describe en este manual. No utilice químicos o vapores corrosivos dentro o cerca de este electrodoméstico. Este horno está diseñado específicamente para calentar o cocinar o deshidratar alimentos en una casa. No está diseñado para uso industrial o de laboratorio.
3. No almacene o utilice este electrodoméstico en exteriores. No utilice este horno cerca del agua (por ejemplo, cerca del fregadero), en un sótano mojado o cerca de una alberca o lugares mojados.
4. Al igual que con todos los electrodomésticos de cocción, debe supervisar de forma cercana para reducir el riesgo de incendio dentro del horno. Es especialmente necesaria la supervisión cercana cuando este electrodoméstico es usado por niños.
5. Retire los alambres de sujeción y las asas de metal de las bolsas o contenedores antes de colocarlas dentro del horno.
6. Si los materiales dentro del horno se incendian, ¡mantenga cerrada la puerta del horno! Apáguelo y desconéctelo. Corte la corriente ya sea en el panel de fusibles o con un cortacircuitos.
7. No utilice la cavidad del horno para almacenar.
8. Este horno debe estar conectado a tierra con un tomacorrientes adecuadamente aterrizado. Vea la sección **“CONEXIÓN ELÉCTRICA A TIERRA”**.
9. No sumerja en agua el cable o clavija. Mantenga el cable lejos de superficies calientes. No permita que el cable cuelgue sobre la orilla de una encimera o mesa. No opere si el horno tiene un cable o clavija dañada, si no está funcionando adecuadamente.
10. No sobre cocine la comida. Supervise cuidadosamente el electrodoméstico cuando hay papel, plástico u otros materiales combustibles dentro del horno.
11. Algunos productos, como los huevos enteros y contenedores sellados como jarras de vidrio, pueden explotar y no deben calentarse dentro del horno. Perfore la comida con cáscara gruesa como la de las papas, calabaza entera, manzanas y castañas antes de cocinar.
12. Para evitar quemaduras, el contenido de las botellas de alimentación para bebé debe agitarse o moverse y la temperatura debe revisarse antes de alimentar al bebé. ¡Asegúrese que los recipientes puedan usarse en un microondas!
13. Los líquidos como el agua, café o té pueden sobrecalentarse a temperaturas superiores al punto de ebullición sin que parezca que están hirviendo. Al retirarlos del horno no siempre están presentes las burbujas o muestras de ebullición. Esto puede causar que de repente se vean hervir cuando el recipiente es perturbado al insertarle una cuchara u otro utensilio. Revuelva los líquidos antes de calentarlos y a medio calentar.
14. Después de calentar permita que los alimentos reposen dentro del horno por un corto tiempo antes de retirarlo del horno. Tenga muchísimo cuidado al insertar dentro del recipiente una cuchara u otro utensilio. No utilice contenedores rectos con cuellos angostos.
15. Los utensilios de cocina pueden calentarse debido a que el calor se transfiere del alimento que se ha calentado. Se requieren guantes o agarraderas para manipular los utensilios.
16. Utilice termómetros que están específicamente diseñados para su uso en hornos de microondas.
17. Asegúrese que se encuentran en su lugar el plato de vidrio y el aro del plato giratorio antes de operar el microondas.
18. No opere ningún aparato de calefacción o cocción debajo de este electrodoméstico.
19. Este electrodoméstico sólo puede recibir servicio por parte de técnicos de servicio calificados, entre en contacto con soporte técnico para recibir información sobre su centro de servicio autorizado más cercano para la revisión, reparación o ajuste de su electrodoméstico.

CONEXIÓN ELÉCTRICA A TIERRA

PELIGRO: RIESGO DE DESCARGA ELÉCTRICA

Tocar los componentes internos de este horno puede causar serios daños personales e incluso la muerte. No desarme este electrodoméstico.

El uso inadecuado de la pata de conexión a tierra puede causar una descarga eléctrica. No conecte el horno en un tomacorrientes a menos que esté instalado y conectado adecuadamente a tierra.

CLAVIJA DE TRES PATAS (ATERRIZADA)

Este electrodoméstico debe estar adecuadamente instalado y aterrizado en un tomacorrientes de 120 voltios 60 Hz y 20 amperes CA. En el caso de que ocurra un corto circuito la conexión a tierra reduce el peligro de descarga eléctrica al proporcionar un alambre de escape para la corriente eléctrica. Este electrodoméstico está equipado con un cable con un alambre de tierra con una clavija con una tercera pata de conexión a tierra. Consulte con un electricista autorizado o personal de servicio si las instrucciones de conexión a tierra no se han comprendido completamente o si existe alguna duda sobre si el electrodoméstico está debidamente aterrizado..

El electrodoméstico cuenta con un cable de alimentación eléctrica corto para reducir el riesgo de que este se enrosque o se enrede. Hay disponibles cables o extensiones más largos y pueden ser usados si se hace con cuidado.

Si se utiliza un cable o extensión más largo:

- El calibre eléctrico especificado en el cable o extensión debe ser igual o mayor al especificado para el electrodoméstico.
- El cable de extensión debe ser del tipo aterrizado con 3 cables
- El cable más largo debe acomodarse de modo que no cuelgue sobre la mesa o encimera donde pueda ser jalado por niños o que alguien tropiece con él sin intención.

RADIO INTERFERENCIA

Este equipo genera, usa y puede radiar energía de radio frecuencia. Si la unidad no es instalada y usada de acuerdo con las instrucciones, puede causar interferencia dañina a las radiocomunicaciones. La operación del horno de microondas puede causar interferencia al radio, tv o equipo similar. Cuando hay interferencia, se puede reducir o eliminar al tomar las siguientes medidas:

- Limpie la puerta o la superficie selladora del horno
- Reoriente la antena receptora del radio o televisión
- Reubique el horno de microondas con respecto al receptor
- Mueva el horno de microondas lejos del receptor
- Conecte el horno de microondas a un tomacorrientes diferente de modo que el horno de microondas y el receptor se encuentren conectados a circuitos diferentes

INSTALANDO SU HORNO DE MICROONDAS

PROCEDIMIENTO DE INSTALACIÓN

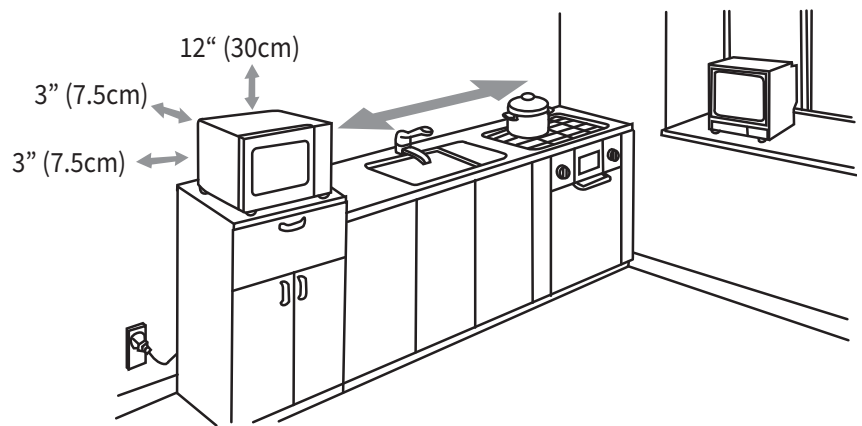
1. Antes de instalar y poner en funcionamiento:

- Retire todo el material de empaque y accesorios. Asegúrese que no hay materiales de empaque dentro del microondas.
- Examine el horno buscando daños como abolladuras o una puerta rota. Si la unidad está dañada, ¡no instale! Entre en contacto con soporte técnico o el lugar de compra.
- Retire la película protectora que se encuentra dentro o fuera del horno de microondas.

Advertencia: No retire la mica color marrón claro que esta colocada en la cavidad del horno. Esta protege al magnetrón

2. Seleccione una superficie nivelada y estable que proporcione el suficiente espacio abierto para las ventilas de entrada y salida. El bloqueo de las ventilas de entrada y salida puede dañar el horno. No coloque el horno donde se genera calor, humedad o alta humedad.

- Se necesita un espacio de al menos 3 pulgadas (7.5 cm) entre el horno y los muros adyacentes. Uno de los lados debe estar abierto para que haya una ventilación adecuada y dispersión del calor.
- Deje al menos un claro de 12 pulgadas (30 cm) arriba del horno.
- Coloque el horno lo más lejos posible de radios y televisiones.
- La superficie debe ser lo suficientemente estable para soportar tanto el microondas mismo como los alimentos que se colocarán en su interior.



3. Conecte su horno a un tomacorrientes estándar casero. Asegúrese que el voltaje y la frecuencia es la misma que el voltaje y frecuencia especificados en la etiqueta de características.

- Asegúrese que el cable de alimentación no esté dañado y no está por debajo del horno de microondas o sobre alguna superficie caliente o filosa.
- El tomacorrientes debe estar accesible de modo que el horno pueda desconectarse fácilmente en alguna emergencia

INSTALACIÓN DEL PLATO GIRATORIO

Su microondas debe venir con el anillo giratorio ya instalado. El plato de vidrio debe descansar perfectamente bien encima de las ruedas del aro para operar adecuadamente. No opere el horno sin el plato de vidrio, el aro del plato giratorio y sin que estén colocados en su lugar .

PANEL DE CONTROL

• **ANTALLA DEL MENÚ**

Aquí se muestra el tiempo de cocción, potencia, indicadores y la hora actual.

• **BOTONES DE COCCIÓN RÁPIDA**

Ajustes instantáneos para cocinar alimentos populares como palomitas, pizzas y papas.

• **1LB DEFROST (DESCONGELADO DE 1 LIBRA)**

Permite descongelar la comida rápidamente.

• **TIME DEFROST (DESCONGELADO POR TIEMPO)**

Permite descongelar alimentos con base en el tiempo especificado.

• **WEIGHT DEFROST (DESCONGELADO POR PESO)**

Permite descongelar alimentos con base en el peso especificado.

• **TECLADO NUMÉRICO (0-9)**

Toque para ajustar la hora o cantidad. Para EXPRESS COOK (COCCIÓN EXPRES) simplemente toque los botones del 1 al 6 para comenzar la cocción instantáneamente al 100% por ese número de minutos.

• **CLOCK (RELOJ)**

Utilice este botón para ajustar el despliegue de la hora

• **TIMER (TEMPORIZADOR)**

Presione para usar el temporizador. El temporizador no inicia o detiene el horno de microondas.

• **POWER LEVEL (NIVEL DE POTENCIA)**

Utilice este botón para ajustar un nivel de potencia.

• **TIME COOK (TIEMPO DE COCCIÓN)**

Usado para la cocción por tiempo. Esto también permite la cocción automática a varios ajustes de potencia y tiempo.

• **ECO MODE (MODO DE ECONOMÍA)**

Presione para establecer el modo de horro de energía.

• **STOP/CANCEL (DETENER/CANCELAR)**

Presione para detener la cocción o presione por 3 segundos para bloquear el uso del horno a los niños.

• **START/ADD 30 SEC (INICIAR/AGREGAR 30 SEGUNDOS)**

Presione para iniciar la cocción o agregar 30 segundos al tiempo actual de cocción.

• **KIDS MEAL (ALIMENTOS PARA NIÑOS)**

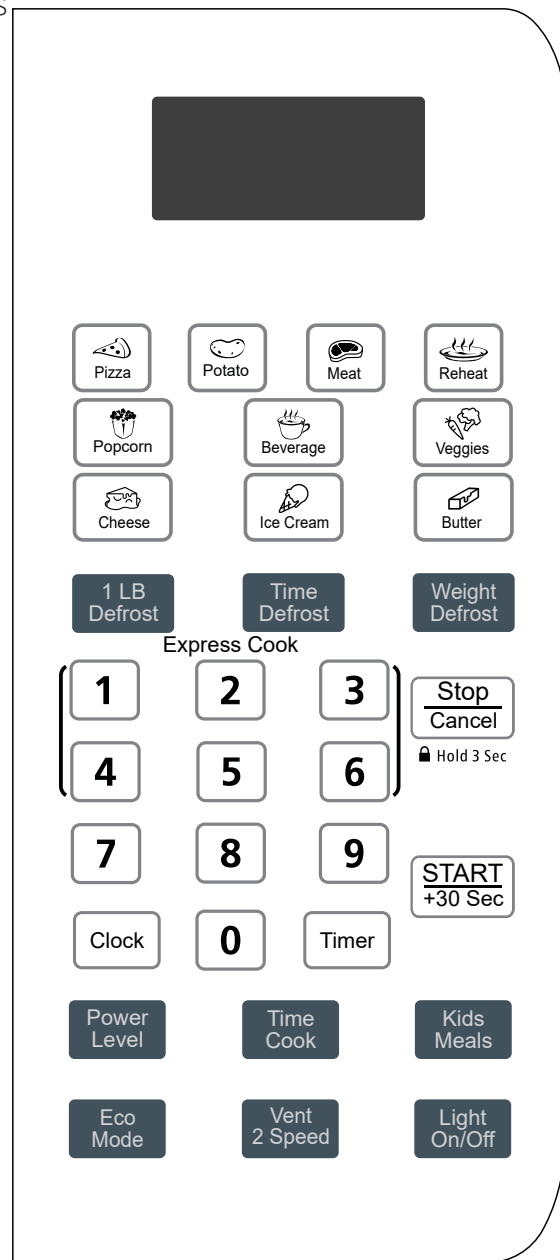
Usado para alimentos para niños preparados normalmente.

• **LIGHT On/Off (Prender y apagar LUZ)**

Prende y apaga la luz del horno

• **VENT (VENTILADOR)**

Enciende y apaga el ventilador del horno o cambia su velocidad.



NOTA: El producto actual puede ser ligeramente diferente en apariencia.

PONIENDO EN FUNCIONAMIENTO SU HORNO DE MICROONDAS

Antes de poner en funcionamiento su horno de microondas, asegúrese de familiarizarse con las medidas de seguridad en las secciones anteriores. Además revise las secciones de **UTENSILIOS Y MATERIALES** y las **TÉCNICAS DE COCCIÓN** que se encuentran en las secciones posteriores de este manual.

AJUSTANDO EL RELOJ

Cuando se conecta el microondas por primera vez, necesitará ajustar el reloj.

1. En el modo de espera, presione el botón **CLOCK** (presione este una segunda vez para formato de 24 hrs)
2. Use el teclado numérico para ingresar la hora correcta
3. Presione el botón **START/ADD 30 SEC**

NOTA: Durante la cocción, puede desplegar la hora al presionar el botón CLOCK..

EL BOTON ADD 30 SEC(AGREGAR 30 SEGUNDOS)

Hay 3 factores importantes sobre este útil botón:

1. Presione este botón durante la cocción para agregar otros 30 segundos al tiempo de cocción. Lo puede presionar varias veces.
2. Esta función no opera en las opciones de cocción automática o descongelado.
3. Si este botón se presiona varias veces cuando no se ha ingresado ningún tiempo y el microondas está en tiempo de espera, el horno comenzará automáticamente la cocción al 100% de potencia.

TIEMPO DE COCCIÓN

1. Presione **TIME COOK**
2. Ingrese el tiempo deseado de cocción en el teclado numérico. El máximo tiempo permitido es de 99 minutos con 99 segundos.
3. Presione **POWER LEVEL**
4. Use el teclado numérico para ingresar el nivel de potencia.
5. Presione el botón **START/ADD 30 SEC**

Nota: Durante la cocción, presione el botón POWER LEVEL para mostrar el nivel actual de potencia. Si se detiene la cocción debido a abrir la puerta, presione START una vez que se cierra la puerta para continuar con la cocción

Presione número	Despliegue en pantalla	Nivel de potencia
9	PL-9	90%
8	PL-8	80%
7	PL-7	70%
6	PL-6	60%
5	PL-5	50%
4	PL-4	40%
3	PL-3	30%
2	PL-2	20%
1	PL-1	10%

COCCIÓN EN ETAPAS MÚLTIPLES

Algunas recetas requieren de diferentes etapas de cocción a diferentes temperaturas.

1. Presione **TIME COOK**
2. Presione el tiempo deseado de cocción con el teclado numérico
3. Para establecer un nivel de potencia diferente al 100%, presione **POWER LEVEL**
4. Presione **TIME COOK**
5. Ingrese la segunda etapa del programa de cocción (nivel de potencia y tiempo)
6. Para iniciar, presione **START/ADD 30 SEC**

NOTA: El tiempo máximo permitido es de 99 minutos con 99 segundos. Los programas de auto cocción, descongelado y alimentos de niños no se pueden establecer en un programa de cocción de etapas múltiples.

1LB DEFROST (DESCONGELADO DE 1 LB)

En modo de espera, presione el botón **1LB DEFROST** una vez para que el sistema comience a descongelar automáticamente. Use pequeñas tiras de aluminio para cubrir las orillas y las secciones más delgadas de la comida.

TIME DEFROST (DESCONGELADO POR TIEMPO)

1. Presione el botón **TIME DEFROST**.
2. Ingrese el tiempo deseado de descongelación con el teclado numérico. El tiempo máximo admitido es de 99 minutos y 99 segundos.
3. Presione el botón **START/ADD 30 SEC**

WEIGHT DEFROST (DESCONGELADO POR PESO)

1. Presione el botón **WEIGHT DEFROST**.
2. Ingrese el peso en onzas de la comida con el teclado numérico. (El peso máximo admitido es 96)
3. Presione el botón **START/ADD 30 SEC**

Durante el programa WEIGHT DEFROST, el sistema estará en pausa y emitirá un sonido para recordarle voltear la comida. Después de hacerlo, presione el botón START/ADD 30 SEC para continuar el descongelado.

MENU DE COCCIÓN RÁPIDA

Para alguna comida, no es necesario programar el tiempo y el nivel de potencia de cocción. En lugar de eso, puede usar los botones del panel de control para los diferentes alimentos.

MANTEQUILLA, QUESO O HELADO

1. Presione el botón del alimento una vez.
2. Seleccione 1 o 2 en el teclado numérico para seleccionar la cantidad. Presione 1 para 4 onzas o presione 2 para 8 onzas.
3. Presione **START/ADD 30 SEC** para comenzar la cocción.

PALOMITAS DE MAIZ

El botón POPCORN automáticamente fija el tiempo de cocción para una bolsa de 3.5oz de palomitas para microondas.

1. Presione el botón **POPCORN** una vez.
2. Presione **START/ADD 30 SEC** para comenzar la cocción

PIZZA, PAPAS, CARNE, RECALENTAR Y VERDURAS

1. Presione el botón del alimento una vez.
2. Ingrese en peso, en onzas.
3. Presione **START/ADD 30 SEC** para comenzar la cocción.

Rangos aceptables de peso:

Alimento	Rangos de Peso
Pizza	10 - 28 oz
Papas	1 - 48 oz
Carne	1 - 32 oz
Recalentar	1 - 37 oz
Verduras	1 - 48 oz

BEBIDAS

Para tazas (4-5 oz)

1. Presione **BEVERAGE**
2. Presione el número de porciones
3. Presione **START/ADD 30 SEC** para comenzar la cocción

ALIMENTOS PARA NIÑOS

El botón KIDS MEAL le permite cocinar 4 tipos diferentes de alimentos para niños.

1. Presione el botón **KIDS MEAL**
2. Ingrese 1 – 4 dependiendo de lo siguiente:
3. **1** (Nuggets de pollo) **2** (Hot Dogs) **3** (Papas a la Francesa) **4** (Sándwiches congelados)
4. Presione **START/ADD 30 SEC** para confirmar la elección. (Sándwiches y Hot Dogs comenzarán de inmediato)
5. Si elige 1 o 3 en el paso anterior, no debe indicar 1 o 2 para especificar 4 u 8 oz.
6. Presione **START/ADD 30 SEC** para comenzar la cocción

CARACTERÍSTICAS ADICIONALES Y FUNCIONALIDAD

CONTROL DE LUZ

Para encender la luz en la parte inferior del horno presione LIGHT On/Off

CONTROL DEL VENTILADOR

Su horno puede ser usado como una campana extractora. Al encenderlo, el motor del ventilador comienza a extraer humo, olores y la grasa generada al cocinar. En modo de esfera, el ventilador se controla manualmente. Presione el botón VENT para cambiar a Low (Bajo), mostrado como Vent L, High (Alto), mostrado como Vent H, o para apagar el ventilador.

MODO DE ECONOMÍA

En modo de espera, presione el botón ECO MODE para ingresar al modo de ahorro de energía. Presione cualquier botón para iluminar nuevamente la pantalla. Si no hay ninguna operación dentro de 1 minuto, el sistema entrará automáticamente en modo de ahorro de energía. Presione el botón ECO MODE nuevamente desde el modo de espera para deshabilitarlo.

SEGURO PARA NIÑOS

Este electrodoméstico cuenta con un seguro que evita la operación por parte de los niños sin supervisión. Para activar esta función, presione y sostenga el botón STOP/CANCEL por 3 segundos, en la pantalla se mostrará el letrero "LOCK".

Para desactivar el seguro, presione y sostenga el botón STOP/CANCEL por 3 segundos, en la pantalla desaparecerá el letrero "LOCK".

TEMPORIZADOR DEL HORNO

El temporizador del horno se usa independientemente del ciclo de cocción. Para ajustarlo:

1. Presione el botón **TIMER**
2. Use el teclado numérico para ingresar la cantidad de tiempo. El tiempo máximo admitido es de 99 minutos y 99 segundos.
3. Presione el botón **START/ADD 30 SEC** para comenzar.

NOTA: *Usted puede visualizar la cuenta regresiva en la pantalla al presionar el botón TIMER. Al presionar el botón STOP/CANCEL cancelará el temporizador.*

OTRAS FUNCIONES

- Para la cocción exprés (**EXPRESS COOK**) solo presione los botones 1-6 para comenzar a cocinar al 100% de potencia para ese número de minutos.
- Cuando se interrumpe la cocción por 1 minuto, el sistema regresará al modo de espera automáticamente.
- Presione dos veces **STOP/CANCEL** para detener la cocción y borrar el programa de cocción actual.
- Después de que termine la cocción, en la pantalla se mostrará el mensaje "End" (Fin) y emitirá un sonido cada dos minutos hasta que se presione el botón **STOP/CANCEL** o se abra la puerta.
- Si el horno emite un sonido dos veces seguidas durante un programa de cocción, ha habido un error en el ingreso del programa.

UTENSILIOS Y MATERIALES

Las microondas generadas por estas microondas son atraídas y absorbidas por las moléculas de grasa, azúcar y agua en los alimentos causando su movimiento, produciendo fricción, lo cual calienta los alimentos.

1. No caliente aceite o grasa para freír. Es muy difícil controlar la temperatura del aceite en un horno de microondas.
2. Perfore los alimentos con cáscaras gruesas como las papas, salchichas, calabaza, manzana y castañas antes de cocinar.
3. El contenido de las mamilas para bebé y de los tarros de alimentos para bebé debe ser mezclado o agitado y se debe rectificar la temperatura antes de servirla para evitar quemaduras severas.

Al cocinar en microondas, la cantidad, tamaño y forma, temperatura de inicio, composición y densidad de los alimentos afectan los resultados. Los utensilios y recipientes de cocción deben acomodarse bien dentro del plato giratorio. Siempre utilice guantes para horno cuando maneje los recipientes ya que estos se calientan por la transferencia de calor de los alimentos. No utilice utensilios y recipientes con orillas plateadas o doradas.

PROBANDO RECIPIENTES, UTENSILIOS Y VAJILLA PARA USO EN MICROONDAS

Todos los utensilios y recipientes deben ser aptos para su uso en microondas. Todos sabemos que los artículos metálicos no son aptos para su uso en microondas, pero puede haber ciertos utensilios, recipientes y vajilla no metálicos que no son seguros para cocinar en el microondas. En caso de duda, pruebe el utensilio en cuestión siguiendo el siguiente procedimiento:

1. Coloque los utensilios, recipientes o vajilla dentro del horno de microondas con 1 taza (250 ml) de agua a un lado de ellos
2. Cocine al 100% de la potencia por 1 minuto.

Nota: Al hacer esto no exceda el tiempo de 1 minuto.

3. No utilice utensilios, recipientes o vajilla que se calienta dejando que el agua permanezca fría.

MATERIALES RECOMENDADOS

Los siguientes recipientes pueden ser utilizados si están etiquetados para su uso en microondas:

- **Plato para dorar en microondas** – Utilizado para dorar el exterior de alimentos pequeños como filetes, chuletas o panqueques. Siga las instrucciones que vinieron junto con el plato para dorar.
- **Película plástica para microondas** – Utilizada para retener el vapor. Deje una pequeña abertura para que pueda escapar un poco de vapor y evite colocarlo directamente en la comida.
- **Toallas y servilletas de papel** – Utilizadas para calentado por corto tiempo y para cubrir; esto absorbe el exceso de humedad y evita las salpicaduras. No utilice toallas de papel recicladas ya que pueden contener metales y pueden incendiarse
- **Recipientes y platos de vidrio o vidrio-cerámica** - Utilizados para calentar o cocinar
- **Platos y tazas de papel** – Utilizados para calentar por corto tiempo y a bajas temperaturas. No utilice material reciclado ya que pueden contener metales y puede incendiarse
- **Papel encerado** – Utilizado como cubierta para evitar salpicaduras

USO LIMITADO

Se pueden utilizar en el horno de microondas papel aluminio y algunos metales. Si no se utilizan adecuadamente, pueden provocar la formación de un arco (un destello o luz azul) que puede causar daños al horno.

- **Papel aluminio** – Utilice tiras delgadas de aluminio para evitar la sobre cocción de las áreas expuestas. Utilizar mucho papel aluminio puede dañar el horno, así que tenga cuidado. Debe dejar un espacio de 1 pulgada (2.54 cm) entre el aluminio y las paredes de la cavidad del horno.
- **Cerámica, porcelana y arcilla o barro** – Puede utilizarlos si están etiquetados como “Microwave Safe” (para uso en microondas).
- **Plástico** - Puede utilizarlo si está etiquetado como “Microwave Safe” (para uso en microondas). Otros plásticos pueden derretirse
- **Termómetros** – Sólo utilice los etiquetados como “Microwave Safe” (para uso en microondas) y siga todas las instrucciones. Revise la temperatura del alimento en diferentes lugares.

NO RECOMENDADOS

- **Jarras y botellas de vidrio** – El vidrio normal es muy delgado para usarse en un horno de microondas. Puede estrellarse y causar daños y lesiones
- **Bolsas de papel** - Estas constituyen un peligro de incendio a excepción de las bolsas de palomitas de maíz que están diseñadas para usarse en un horno de microondas
- **Platos y tazas de poliestireno** – Estas pueden derretirse y dejar residuos dañinos en los alimentos
- **Contenedores de alimentos y de almacenamiento de plástico** – Los contenedores como los de la mantequilla se pueden derretir en el horno de microondas y dejar residuos dañinos en los alimentos.
- **Utensilios de metal** – Estos pueden dañar su horno. Retire todo el metal antes de cocinar.
- No deben usarse en el horno de microondas recipientes de metal, oro, plata, pewter, termómetros de carne no aprobados, pinchos, ataduras de alambre, forros de papel de aluminio, tales como envolturas de sándwich, grapas y objetos con orillas de oro o plata o esmalte metálico

TÉCNICAS DE COCCIÓN

Su horno de microondas facilita la cocción a diferencia de la cocción convencional, siempre que mantenga en mente estas consideraciones:

REVOLVER

Revolver los alimentos como sopas y verduras mientras se cocina (detener la cocción, revolver, continuar la cocción) distribuye el calor en forma uniforme. Los alimentos a las orillas del plato absorben más energía y se calientan más rápido, de modo que hay que revolver de afuera hacia el centro. El horno se apagará cuando usted lo abra para revolver. Presione START para continuar con la cocción.

COLOCACIÓN

Arregle los alimentos con forma irregular como las piezas de pollo o chuletas con la parte más gruesa y carnosa hacia la parte exterior del plato giratorio de modo que reciban más energía del microondas. Para evitar el sobrecalentamiento coloque las partes delicadas como las puntas de los espárragos, hacia el centro del plato giratorio.

PROTEGER

Proteja los alimentos con tiras de aluminio delgadas para evitar la sobre cocción. Las áreas que necesitan protección incluyen las puntas de las alas de pollo, el hueso de las patas de pollo, y las esquinas de los platos de hornear cuadrados. Utilice solamente pequeñas cantidades de papel aluminio. Las grandes cantidades pueden dañar su horno.

VOLTEAR

Voltee los alimentos a medio cocinar para exponer todas las partes a la energía del microondas. Esto es especialmente importante con grandes cantidades de alimentos como los asados.

REPOSAR

Los alimentos cocinados en microondas acumulan calor interno y continúan cocinándose por unos minutos después de que el horno se detiene. Deje reposar los alimentos para completar la cocción, especialmente con pasteles y verduras enteras. Los asados necesitan tiempo para terminar la cocción en el centro sin sobre cocer las áreas externas. Todos los líquidos como sopas o chocolate caliente deben agitarse o revolverse cuando la cocción ha terminado. Deje reposar por un momento los líquidos antes de servirlos. Cuando caliente comida para bebé, revuelva bien y pruebe la temperatura antes de servir.

AGREGAR HUMEDAD

La energía del microondas es atraída por las moléculas de agua. Los alimentos irregulares en contenido de humedad deben cubrirse o permitir que reposen de modo que el calor se disperse uniformemente. Agregue una pequeña cantidad de agua a los alimentos secos para ayudarles en la cocción.

LIMPIEZA Y CUIDADOS

- El horno debe limpiarse regularmente y se deben retirar todos los depósitos de alimentos. Al no mantener en una condición limpia puede conducir al deterioro de la superficie. Esto puede afectar adversamente la vida del electrodoméstico y resultar potencialmente en una situación de riesgo.
- Antes de limpiar, apague el horno y desconéctelo del suministro eléctrico.
- Mantenga limpio el interior del horno. Cuando la comida salpica o se derraman líquidos adhiriéndose a las paredes del horno, limpie con un trapo húmedo. Se puede utilizar detergentes suaves si el horno se ensucia mucho. Evite el uso de aerosoles y otros limpiadores duros ya que pueden manchar, rayar u opacar la superficie de la puerta.
- Las superficies externas deben limpiarse con un trapo húmedo. Para evitar daño a las partes internas operativas, no debe permitirse que el agua se cuele por las aberturas de ventilación.
- Limpie la ventana de ambos lados con un trapo húmedo para retirar las salpicaduras.
- No permita que el panel de control se moje. Limpie con un trapo suave y húmedo. Cuando limpie el panel de control hágalo con la puerta abierta para evitar que se ponga en funcionamiento.
- Si se acumula vapor dentro o alrededor de la parte externa de la puerta del horno, limpie con un trapo suave. Esto puede ocurrir cuando el horno está funcionando en ambientes con mucha humedad. Si esto sucede es normal.
- Ocasionalmente es necesario retirar el plato de vidrio para limpiarlo. Lávelo con agua tibia o en la lavaplatos. Asegúrese de que está completamente seco antes de colocarlo de regreso en el microondas y asegúrese de que está alineado adecuadamente, ¡antes de volver a cocinar!
- El aro giratorio (del plato de vidrio) y el piso del horno deben limpiarse en forma regular para evitar el ruido excesivo o acumulaciones. Solamente limpie la superficie inferior del horno con un detergente suave. El aro giratorio puede lavarse con agua tibia o en la lavaplatos. Cuando se retire el aro giratorio de la cavidad del horno, asegúrese que se vuelva a colocar en la posición correcta antes de volverlo a utilizar.
- Elimine los olores de su horno al combinar una taza de agua con el jugo y cáscara de un limón en un recipiente para microondas hondo, horneando por 5 minutos. Limpie totalmente y seque con un paño suave.
- Cuando sea necesario reemplace la luz del horno y el filtro de carbón. Por favor, consulte con un profesional de servicio calificado para hacer estos cambios.

Cubierta de la Guía de Ondas

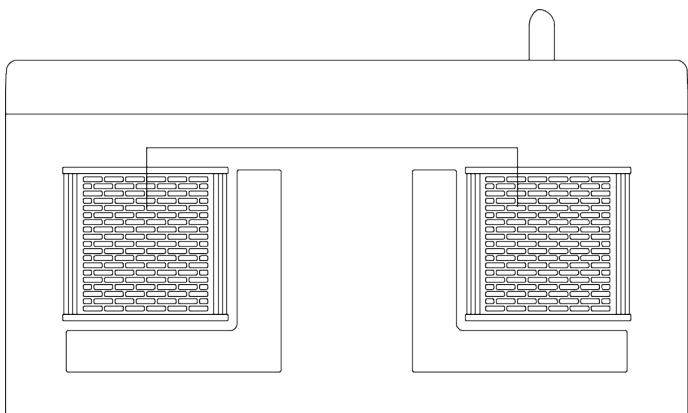
La cubierta de la guía de ondas está ubicada en el techo de la cavidad del horno. Está hecha de una mica y requiere cuidados especiales. Mantenga la cubierta de la guía de ondas limpia para asegurar un buen desempeño de su horno. Con cuidado limpie con un paño húmedo cualquier salpicadura de comida de la superficie de la cubierta inmediatamente después de que ocurra. La formación de residuos puede causar humo o fuego. NO RETIRE LA CUBIERTA DE LA GUÍA DE ONDAS.

Filtro de Carbón y Bombilla

El filtro de carbón y la bombilla en esta unidad son reemplazables, pero deben ser reemplazados por un técnico de servicio autorizado. El filtro puede necesitar cambiarse cada 6 a 12 meses, dependiendo del uso.

Filtros de Grasa

Los filtros de grasa deben limpiarse al menos una vez al mes. Nunca opere el ventilador o el horno sin estos filtros en su lugar. Jale ligeramente la pestaña hacia el frente del horno y retire el filtro. Remoje el filtro en un fregadero o bandeja en llena de agua caliente y detergente. NO use amoníaco u otros productos similares ya que pueden reaccionar con el material del filtro y oscurecerlo. Agite y talle con un cepillo para sacar la mugre pegada. Enjuague a conciencia y sacuda para secar. Coloque los filtros limpios y secos en sus ranuras.



SOLUCIÓN DE PROBLEMAS

ENGLISH

ESPAÑOL

FRANÇAIS

PROBLEMA	CAUSA PROBABLE	REMEDIO POSIBLE
El horno no inicia operaciones	<ul style="list-style-type: none"> • El cable de alimentación no está conectado • La puerta del horno está abierta • Se ingresó un procedimiento o secuencia errónea 	<ul style="list-style-type: none"> • Asegúrese que la unidad esté conectada • Cierre la puerta del horno e intente otra vez • Revise las instrucciones para asegurarse que el procedimiento es correcto
Arcos o chispas dentro del horno mientras se realiza la cocción	<ul style="list-style-type: none"> • Se utilizaron materiales dentro del horno que deben evitarse • El horno se puso a funcionar vacío • Hay restos de comida en la cavidad del horno 	<ul style="list-style-type: none"> • Utilice utensilios y recipientes aptos para microondas • No ponga a funcionar el horno estando vacío • Limpie la cavidad con un trapo húmedo
Alimentos cocinados de forma dispareja	<ul style="list-style-type: none"> • Se utilizaron materiales dentro del horno que deben evitarse • Los alimentos no estaban descongelados por completo • El tiempo de cocción o el nivel de potencia no fue el adecuado • Los alimentos no fueron revueltos o volteados 	<ul style="list-style-type: none"> • Utilice utensilios y recipientes aptos para microondas • Descongele por completo los alimentos • Use el tiempo y/o nivel de potencia adecuado • Voltee o revuelva los alimentos
Alimentos sobre cocinados	<ul style="list-style-type: none"> • El tiempo de cocción o el nivel de potencia no fue el adecuado 	<ul style="list-style-type: none"> • Use el tiempo y/o nivel de potencia adecuado
Alimentos sin cocinarse por completo	<ul style="list-style-type: none"> • Se utilizaron materiales dentro del horno que deben evitarse • Los alimentos no estaban descongelados por completo • Los puertos de ventilación están restringidos • El tiempo de cocción o el nivel de potencia no fue suficiente 	<ul style="list-style-type: none"> • Utilice utensilios y recipientes aptos para microondas • Descongele por completo los alimentos • Revise que los puertos de ventilación del horno no están restringidos • Use el tiempo y/o nivel de potencia adecuado
Descongelamiento inadecuado	<ul style="list-style-type: none"> • Se utilizaron materiales dentro del horno que deben evitarse • El tiempo de descongelado o nivel de potencia no fue el adecuado para los alimentos • Los alimentos no fueron revueltos o volteados 	<ul style="list-style-type: none"> • Utilice utensilios y recipientes aptos para microondas • Use el tiempo y/o nivel de potencia adecuado • Voltee y/o revuelva los alimentos

ESPECIFICACIONES TÉCNICAS

Consumo de potencia:	120V~60Hz, 1650W (Microondas)
Salida:	1000W
Frecuencia de Operación:	2450MHz
Dimensiones externas (Altura×Ancho×Profundidad):	16 7/8" × 29 7/8" × 17 11/16".
Dimensiones de la cavidad del horno (Altura×Ancho×Profundidad):	10 3/16" × 21 5/16" × 14 10/16"
Capacidad del horno:	1.6 pies cúbicos
Peso Neto:	Aproximadamente 55.1 libras

SOPORTE AL CLIENTE

Antes de entrar en contacto con soporte al cliente, lea la guía de solución de problemas mostrada anteriormente.

Para entrar en contacto visite nuestro sitio web, encuentre las respuestas a las Preguntas Frecuentes y para otros recursos que pueden incluir una versión actualizada de esta Guía de Usuario.

 WWW.IMPECCA.COM

Si desea contactarnos por teléfono, asegúrese de tener a la mano el número de modelo y de serie y llámenos entre las 9:00am y 6:00pm Tiempo del Este al +1 866-954-4440.

Manténgase al día sobre las novedades y mejoras de Impecca y forme parte de nuestros concursos a través de nuestras redes sociales:

 www.facebook.com/Impecca/

 www.instagram.com/impecca/

 @impeccausa

GARANTÍA LIMITADA POR UN AÑO

Impecca™ garantiza al comprador original este producto contra defectos en su material y mano de obra como se especifica a continuación.

PARTES Y MANO DE OBRA– Si se determina que el producto tiene defectos de fabricación, dentro del periodo de un (1) año a partir de la fecha de compra original, Impecca™, a su discreción, reparará o reemplazara las partes del producto sin ningún costo para usted en los Estados Unidos.

Para obtener el servicio de garantía de un distribuidor autorizado de Impecca™ envíenos un correo electrónico a: service@impecca.com para obtener un número de Autorización de Reparación y Mantenimiento (RAM) y recibir las instrucciones de cómo se llevará a cabo el procedimiento de reparación o reemplazo.

Cualquier material de vidrio incluido en el electrodoméstico estará cubierto por un periodo de sesenta (60) días a partir de la fecha de compra.

Impecca™ excluye de esta garantía accesorios no eléctricos o mecánicos, accesorios y partes desechables incluyendo, pero no limitado, a la carcasa, cables de conexión, baterías, adaptadores A/C. Impecca™ se reserva el derecho de reparar o reemplazar un producto defectuoso con un modelo igual, equivalente o nuevo modelo.

Nos reservamos el derecho ya sea de reparar o reemplazar el producto a nuestra discreción. El reemplazo puede ser nuevo o reacondicionado tratando de asegurar de que se trate del mismo modelo, si el mismo modelo no está disponible, se reemplazará con un modelo de especificaciones iguales o superiores.

El “desgaste” normal no está cubierto por esta ni por ninguna otra garantía. Adicionalmente, Impecca™ se reserva el derecho de determinar el “desgaste” de cualquiera o todos los productos. El violar o abrir el chasis del producto invalidará esta garantía por completo.

Excepciones: Esta garantía no cubre lo siguiente:

1. Cualquier producto que tenga un número de serie defectuosos o cubierto
2. Productos que han sido transferidos a un segundo propietario
3. Óxido en la parte interna o externa de la unidad
4. Los productos listados como “Tal cual” o “Reformados”
5. Pérdida de alimentos debido a la falla del producto
6. Aires acondicionados que han sido instalados en un muro.
7. El producto si este ha sido utilizado en una ubicación comercial
8. Llamadas de servicio que no involucren el mal funcionamiento del producto

9. Llamadas de servicio de un producto estropeado por no seguir las instrucciones proporcionadas
10. Llamadas de servicio para corregir una instalación incorrecta
11. Costos asociados por hacer el producto accesible al servicio (incluido pero no limitado a la remoción de ajustes/moldeo/gabinete, etc.)
12. Llamadas de servicio para reemplazar consumibles como bombillas, filtros, etc.
13. Recargos que pueden aplicar a llamadas de servicio los fines de semana, por las noches, o durante las festividades. Daños al acabado del electrodoméstico o muebles de la casa debido a la instalación del electrodoméstico.
14. Daños causados por cualquiera de las siguientes causas: Actos de Dios, incendios, mal uso, accidentes, suministro de energía incorrecto, servicio realizado por personal no autorizado, el uso de partes no originales Impecca.

TODAS LAS GARANTÍAS IMPLÍCITAS, INCLUYENDO LAS GARANTÍAS IMPLÍCITAS DE MERCADOTECNIA E IDONEIDAD PARA UN PROPÓSITO EN PARTICULAR ESTÁN LIMITADAS A UNA DURACIÓN DE (1) AÑO EN PARTES Y NOVENTA (90) DÍAS EN MANO DE OBRA DESDE LA FECHA ORIGINAL DE COMPRA DEL PRODUCTO.

ESTAS GARANTÍAS Y MEDIDAS SON ÚNICAS Y EXCLUSIVAS EN RELACIÓN CON LA VENTA Y USO DEL PRODUCTO. NO SE OTORGA NINGUNA OTRA GARANTÍA, ORAL O ESCRITA, EN FORMA EXPRESA O IMPLÍCITA.

IMPECCA™ NO SE HACE RESPONSABLE DE NINGÚN DAÑO, YA SEA ESPECIAL, INCIDENTAL, CONSECUENTE, DIRECTO O DE CUALQUIER OTRA NATURALEZA, YA SEA CONOCIDO O POR DAR A CONOCER A IMPECCA™, INCLUYENDO LA PÉRDIDA DE GANANCIAS, PLUSVALÍA, DAÑOS PERSONALES O EN LA PROPIEDAD RESULTANTES DE CUALQUIER INCUMPLIMIENTO DE LA GARANTÍA, LA INCAPACIDAD DE UTILIZAR EL PRODUCTO O BAJO NINGUNA TEORÍA LEGAL EN CONTRATO O AGRAVIO. LA RESPONSABILIDAD DE IMPECCA SE LIMITA AL PRECIO ACTUAL DE COMPRA PAGADO AL VENDEDOR DEL PRODUCTO DEFECTUOSO.

Ningún distribuidor, agente o empleado de Impecca™ está autorizado para hacer ninguna modificación, extensión, cambio o enmienda de esta garantía sin el consentimiento y autorización escrita de Impecca™.

Algunos estados no permiten la exclusión o limitación de garantías implícitas o la responsabilidad por daños incidentales o consecuentes, y no permiten una limitación en la duración de una garantía implícita, de modo que las anteriores limitaciones o exclusiones pueden no aplicarse a usted. Esta garantía le otorga derechos específicos, y puede usted tener otros derechos, los cuales varían de estado a estado.

Nota: El Centro de Servicio de Garantía hace envíos solo dentro del territorio continental de E.U.

TABLE DES MATIÈRES

Consignes De Sécurité Importantes.....	43
Dans La Boîte.....	44
Faites Connaissance Avec Votre Four À Micro-Ondes	44
Précautions Et Avertissements	45
Mise À La Terre Électrique.....	46
Installer Votre Four À Micro-Ondes	47
Control Panel	48
Utilisation De Votre Four À Micro-Ondes.....	49
Caractéristiques Supplémentaires Et Fonctionnalité.....	52
Ustensiles Et Matériaux	53
Techniques De Cuisson.....	55
Nettoyage Et Entretien	56
Des Conseils De Dépannage.....	58
Spécifications Techniques	59
Service Technique	59
Garantie Limitée D'un An.....	60

CONSIGNES DE SÉCURITÉ IMPORTANTES

VEUILLEZ CONSERVER CES INSTRUCTIONS. VOUS POURIEZ EN AVOIR BESOIN DANS LE FUTUR.

AVERTISSEMENT: ATTENTION À L'EXPOSITION EXCESSIVE À UNE ÉNERGIE MICRO-ONDES

Pour réduire les risques de brûlures, de choc électrique, d'incendie, de blessures corporelles (à vous-même ou à autrui) ou l'exposition à une énergie hyperfréquence excessive lors de l'utilisation de votre appareil, respectez les consignes de sécurité précautions, y compris les suivantes:

N'essayez pas de faire fonctionner ce four avec la porte ouverte car cela pourrait entraîner une exposition nocive aux micro-ondes. Ne remplacez pas et ne modifiez pas les protections de sécurité internes.

Ne placez aucun objet entre la façade du four et la porte, ne laissez pas la saleté ou d'autres objets les résidus s'accumulent sur les surfaces d'étanchéité.

Ne couvrez ni ne bloquez aucune ouverture du four.

Ne faites pas fonctionner le four s'il est endommagé. Il est important que la porte du four se ferme correctement et qu'il n'y a aucun dommage à la:

- PORTE (courbée)
- CHARNIÈRES ET LOQUETS (cassés ou desserrés)
- JOINTS ET SURFACE DE SCELLEMENT

Le four ne doit être réglé ou réparé que par du personnel technique qualifié.

Veillez ne pas jeter cet appareil dans une poubelle domestique. Il devrait être disposé au centre recommandé par votre municipalité.

POUR USAGE DOMESTIQUE SEULEMENT

CONSERVEZ CES ISTRUCTIONS

DANS LA BOÎTE

Vous avez reçu ce qui suit dans la boîte de votre appareil.

- 1** Four à micro-ondes
- 2** Guide de l'utilisateur
- 3** Accessoires de four à micro-ondes



3 ACCESSOIRES FOUR À MICRO-ONDES

PIÈCE (pour illustration seulement, peut ne pas être identique)	DESCRIPTION DE LA PIÈCE	QUANTITÉ INCLUS
	Plateau à micro-ondes en verre	1 pièce
	Anneau à rouleau	1 pièce

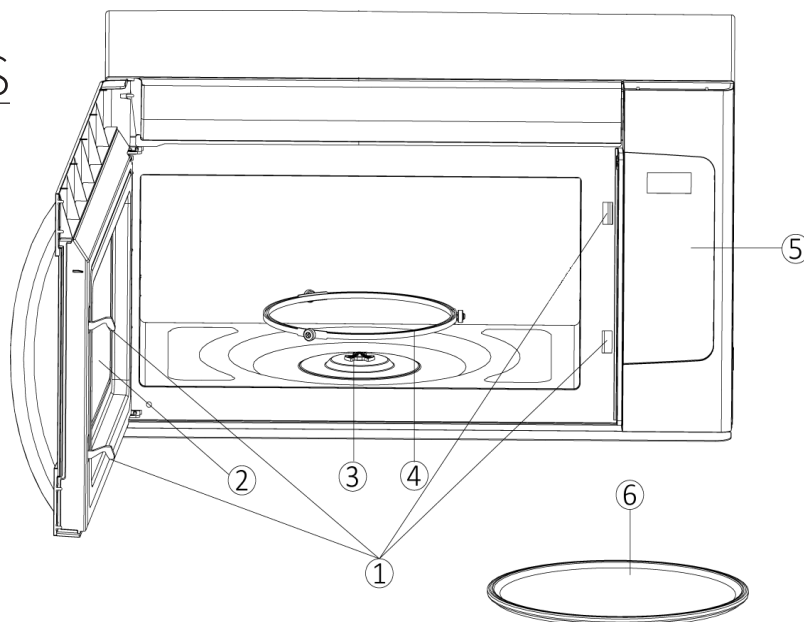
Évitez d'endommager votre nouvel appareil!

Si les accessoires requis manquent, contactez le support client.

FAITES CONNAISSANCE AVEC VOTRE FOUR À MICRO-ONDES

- 1. Système de verrouillage de sécurité de porte
- 2. Fenêtre du four
- 3. Anneau de rouleau
- 4. Manche
- 5. Panneau de configuration
- 6. Plateau en verre

Les éléments montrés sont à titre indicatif seulement et peuvent varier en apparence.



PRÉCAUTIONS ET AVERTISSEMENTS

Lisez attentivement toutes ces spécifications et avertissements AVANT d'utiliser votre four à micro-ondes. Ne pas le faire peut provoquer des incendies, des dommages, des blessures ou des blessures corporelles, y compris une invalidité permanente et / ou la mort.

N'utilisez que des récipients pour micro-ondes !

1. Installez ou placez ce four en stricte conformité avec les instructions d'installation fournies.
2. Utilisez cet appareil uniquement pour les utilisations auxquelles il est destiné, tel que décrit dans ce manuel. Ne pas utiliser de produits chimique corrosif ou vapeurs dans ou à proximité de l'appareil. Ce four est spécialement conçu pour chauffer, cuire ou sécher nourriture dans un contexte de consommation à domicile. Il n'est pas conçu pour une utilisation industrielle ou de laboratoire.
3. Ne rangez pas et n'utilisez pas cet appareil à l'extérieur. N'utilisez pas ce four près de l'eau (par exemple près d'un évier de cuisine), dans un sous-sol humide, près d'une piscine ou dans d'autres endroits humides.
4. Comme avec tout appareil de cuisson, surveillez attentivement toute utilisation afin de réduire les risques d'incendie dans le four. Une surveillance étroite est particulièrement nécessaire lorsque l'appareil est utilisé par des enfants.
5. Retirez les attaches métalliques et les poignées métalliques des récipients et des sacs avant de les placer dans le four.
6. Si des matériaux à l'intérieur du four s'enflamment, laissez la porte du four fermée! Éteignez le four et débranchez l'appareil. Débranchez le cordon d'alimentation et coupez le courant au niveau du panneau de fusible ou du disjoncteur.
7. N'utilisez pas la cavité du four pour le stockage.
8. Ce four doit être mis à la terre avec une prise correctement mise à la terre. Voir la section "**ELECTRICITÉ, MISE À LA TERRE**".
9. N'immergez pas le cordon ni la fiche dans l'eau. Garder le cordon éloigné des surfaces chauffées. Ne laissez pas le cordon pendre du bord d'une table ou d'un comptoir. Ne faites pas fonctionner ce four si le cordon ou la fiche est endommagé ou ne fonctionne pas correctement.
10. Ne pas trop cuire les aliments. Surveillez attentivement l'appareil lorsque du papier, du plastique ou d'autres matériaux combustibles sont placés à l'intérieur du four.
11. Certains produits, tels que les œufs entiers et les contenants scellés tels que les bocaux en verre, ont tendance à exploser et ne doivent pas être chauffés au four. Percez les aliments à peau épaisse tels que les pommes de terre, les courges entières, les pommes et les châtaignes avant la cuisson.
12. Le contenu des biberons et des pots pour bébés doit être agité ou secoué et la température doit être vérifié avant de servir afin d'éviter les brûlures. Assurez-vous que ces articles vont au micro-ondes!
13. Les liquides tels que l'eau, le café ou le thé peuvent être surchauffés au-delà du point d'ébullition sans avoir l'air de bouillir. Bouillonner ou bouillir n'est pas toujours visible. Cela peut provoquer des ébouillancements soudains lorsque le récipient est dérangé, à la cuillère ou si un autre ustensile est inséré dans le liquide. Remuer les liquides à la fois avant et à mi-chemin du chauffage.
14. Après le chauffage, laissez les récipients dans le four à micro-ondes pendant un court instant avant de les retirer. Faites très attention lorsque vous insérez une cuillère ou un autre ustensile dans le récipient. Ne pas utiliser de contenants droits avec un goulot étroit.
15. Les ustensiles de cuisson peuvent chauffer à cause de la chaleur transférée des aliments chauffés. Des maniques peuvent être nécessaires pour manipuler l'ustensile.
16. Utilisez uniquement des thermomètres spécialement conçus pour les fours à micro-ondes.
17. Assurez-vous que le plateau en verre et les anneaux de rouleau sont en place lorsque vous utilisez le four
18. Ne faites pas fonctionner d'appareil de chauffage ou de cuisson sous cet appareil.
19. Cet appareil ne doit être réparé que par des techniciens qualifiés. Contactez le support technique pour obtenir des informations sur le centre de service agréé le plus proche de chez vous pour un examen, une réparation ou un réglage supplémentaire de votre appareil.

MISE À LA TERRE ÉLECTRIQUE

DANGER: RISQUE D'ÉLECTROCUTION

Toucher les composants internes de ce four peut causer des blessures graves, voire mortelles. Ne démontez pas cet appareil.

Une mauvaise utilisation de la fiche de mise à la terre peut provoquer un choc électrique. Ne branchez pas le four dans une prise à moins que la prise soit correctement installée et mise à la terre.

FICHE À TROIS BRANCHES (MISE À LA TERRE)

Cet appareil doit être utilisé avec un courant alternatif de 120 V, 60 Hz, 20 A correctement installé et mis à la terre. En cas de court-circuit électrique, la mise à la terre réduit le risque de choc électrique en fournissant un fil d'échappement pour le courant électrique. Cet appareil est équipé d'un fil de terre avec une troisième fiche ronde de mise à la terre. Consultez un électricien qualifié ou un réparateur si les instructions de mise à la terre ne sont pas complètement comprises ou en cas de doute.

l'appareil est correctement mis à la terre.

Un cordon d'alimentation court est fourni pour réduire le risque d'enchevêtrement ou de trébuchement. Des rallonges sont disponibles et peuvent être utilisés avec précaution.

Si une rallonge est utilisée avec cet appareil:

- Les caractéristiques électriques marquées du cordon doivent être au moins aussi grandes que celles de l'appareil.
- La rallonge doit être un cordon à 3 branches du type mise à la terre.
- La rallonge doit être disposée de manière à ce qu'elle ne pende pas sur le comptoir ou la table, où elle pourrait être tirée par des enfants ou faire trébucher involontairement.

INTERFÉRENCE RADIO

Cet équipement génère, utilise et peut émettre de l'énergie radiofréquence. Si l'unité n'est pas installée et utilisée conformément aux instructions, il peut provoquer des interférences nuisibles avec communications radio. Le fonctionnement du four à micro-ondes peut provoquer des interférences avec votre radio, votre téléviseur ou un équipement similaire. Toute interférence peut être réduite ou éliminée en prenant les mesures suivantes:

- Nettoyez la porte et la surface d'étanchéité du four
- Réorienter l'antenne de réception de la radio ou de la télévision.
- Déplacer le four à micro-ondes par rapport au récepteur.
- Éloignez le four à micro-ondes du récepteur.
- Branchez le four à micro-ondes dans une autre prise de manière à ce que le micro-ondes et le récepteur se trouvent sur des circuits de dérivation différents.

INSTALLER VOTRE FOUR À MICRO-ONDES

PROCÉDURE D'INSTALLATION

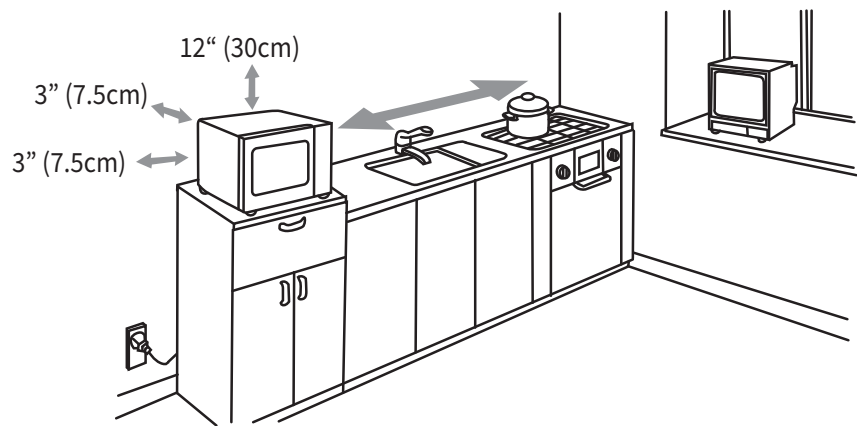
1. Avant l'installation et l'utilisation:

- Enlevez tout le matériel d'emballage et les accessoires. S'assurer qu'il n'y a pas de matériaux d'emballage à l'intérieur du micro-ondes.
- Examinez le four pour tout dommage tel que des bosses ou une porte cassée. Si l'unité est endommagée, ne l'installez pas ! Contactez le support technique ou le lieu d'achat.
- Enlevez tout film protecteur trouvé dans ou sur le four à micro-ondes.

Avertissement: Ne retirez pas le couvercle en mica brun clair fixé à l'intérieur du four cavité. Cela protège le magnétron.

2. Sélectionnez une surface plane et stable offrant un espace libre suffisant pour les bouches d'admission et / ou de sortie. Le blocage des ouvertures d'admission et / ou de sortie peut endommager le four. Ne placez pas le four dans un endroit où la chaleur, l'humidité ou une humidité élevée sont générées.

- Un dégagement minimum de 7,5 cm (3 pouces) est requis entre le four et les murs adjacents. Un côté doit être ouvert pour une ventilation et une dissipation de la chaleur adéquates.
- Laissez un espace minimum de 30 cm au-dessus du four.
- Placez le four aussi loin que possible des radios et des téléviseurs.
- La surface doit être suffisamment stable pour supporter le micro-ondes et tout aliment qui y sera placé.



3. Branchez votre four dans une prise domestique standard. Assurez-vous que la tension et la fréquence sont identiques à la tension et à la fréquence indiquées sur l'étiquette.

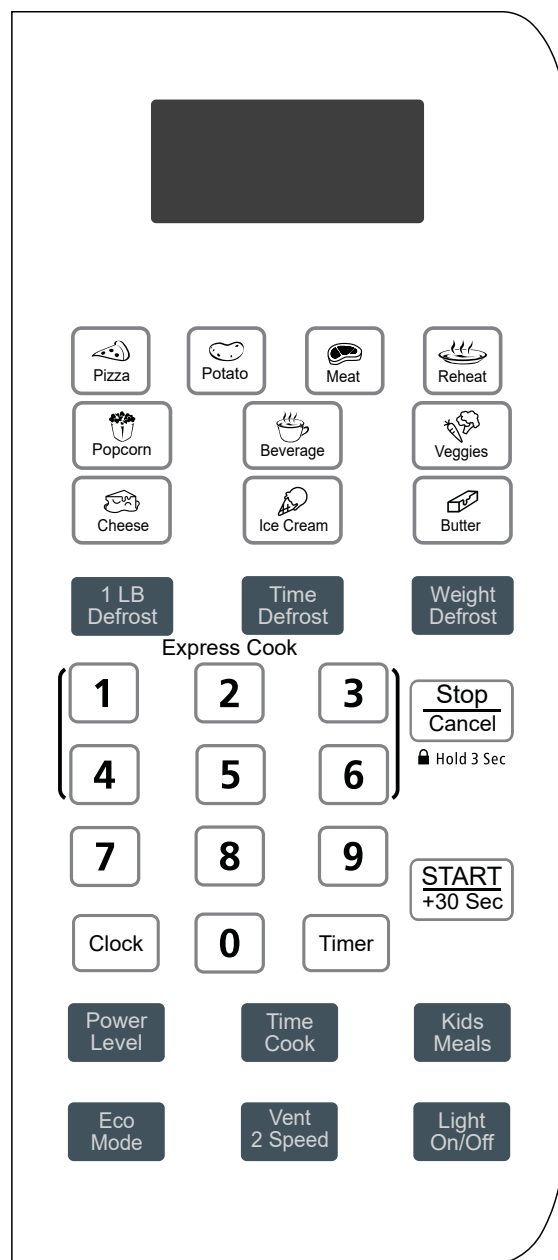
- Assurez-vous que le cordon d'alimentation n'est pas endommagé et ne passe pas sous le micro-ondes au four ou sur des surfaces chaudes ou coupantes.
- La prise de courant doit être facilement accessible pour pouvoir être débranchée facilement en cas d'urgence.

INSTALLATION DE PLATEAU TOURNANT

Votre micro-ondes devrait venir avec l'anneau de rouleau déjà installé. Le plateau en verre doit reposer parfaitement centré sur le dessus des roues de la broche pour fonctionner correctement. Ne pas utiliser le four sans plateau en verre et anneau de rouleau dans les positions appropriées.

CONTROL PANEL

- **ÉCRAN DE MENU**
Le temps de cuisson, le niveau de puissance et l'heure actuelle sont affichés ici
- **BOUTONS RAPIDES**
Réglages instantanés pour cuire ou réchauffer des aliments populaires tels que le maïs soufflé, la pizza et les pommes de terre.
- **1LB DEFROST**
Permet de décongeler rapidement les aliments
- **TIME DEFROST**
Décongélation en fonction du temps entré.
- **WEIGHT DEFROST**
Décongélation en fonction du poids de la nourriture
- **NUMÉROS (0-9)**
Touchez pour régler l'heure, le poids ou la quantité
Pour EXPRESS COOK, appuyez simplement sur les touches 1-6 pour commencer instantanément à cuire à 100% pour ce nombre dans minutes.
- **L'HORLOGE**
Régler l'affichage de l'horloge du four
- **MINUTERIE**
Définir une minuterie de cuisine. Cette minuterie ne démarre ni n'arrête le four à micro-ondes.
- **POWER LEVEL**
Réglez le niveau de puissance de cuisson
- **TIME COOK**
Utilisez pour la cuisson minutée. Cela permet également de cuisson à plusieurs réglages de puissance et de temps
- **ECO MODE**
Appuyez sur pour entrer en mode d'économie d'énergie
- **STOP / CANCEL**
Appuyez sur pour arrêter la cuisson ou maintenez pendant 3 secondes pour activer la fonction de verrouillage parental.
- **START / ADD 30 SEC**
Appuyez sur ce bouton pour commencer la cuisson ou pour ajouter 30 secondes au temps de cuisson existant
- **KIDS MEAL**
Utilisé pour les aliments couramment préparés pour les enfants
- **LIGHT**
Allume et éteint la lumière du four
- **VENT**
Active ou désactive les aérations du four ou modifie leur vitesse.



REMARQUE: Le produit réel peut avoir une apparence légèrement différente

UTILISATION DE VOTRE FOUR À MICRO-ONDES

Avant d'utiliser votre four à micro-ondes, veuillez à vous familiariser avec les consignes de sécurité dans les sections précédentes. De plus, veuillez consulter les sections du GUIDE DES USTENSILES ET MATÉRIAUX et des TECHNIQUES DE CUISSON, plus loin dans ce manuel.

RÉGLER L'HORLOGE

Lorsque le micro-ondes est branché pour la première fois, vous devrez régler l'horloge.

1. En mode veille, appuyez sur la touche **CLOCK** (appuyez une seconde fois pendant 24 heures).
2. Utilisez les touches numériques pour entrer l'heure correcte.
3. Appuyez sur le bouton **START / Add 30Sec.**

REMARQUE: Pendant la cuisson, l'heure peut être affichée en appuyant sur la touche CLOCK.

LE BOUTON +30 SEC

3 faits importants sur ce bouton utile:

1. Appuyez sur cette touche pendant la cuisson pour ajouter 30 secondes de temps de cuisson. Vous pouvez appuyer plusieurs fois.
2. Cette fonction ne fonctionne pas pendant la cuisson automatique ou le dégivrage.
3. Si vous appuyez sur cette touche alors qu'aucune heure n'a été saisie et que le four à micro-ondes est en veille, le four démarrera automatiquement à 100% de puissance et commencera à cuire.

TEMPS DE CUISSON

1. Appuyez sur **TIME COOK**.
2. Entrez le temps de cuisson désiré sur le pavé numérique. Le temps maximum autorisé est de 99 min. 99 sec.
3. Appuyez sur **POWER LEVEL**.
4. Utilisez le pavé numérique pour entrer le niveau de puissance
5. Appuyez sur la touche **START / + 30SEC**.

Remarque: pendant la cuisson, appuyez sur le bouton **POWER LEVEL** pour afficher la puissance de cuisson actuelle. Si la cuisson est interrompue en raison de l'ouverture de la porte, appuyez sur **START** après la fermeture de la porte pour reprendre la cuisson.

Numéro (s) de presse	Afficher	Niveau d'énergie
9	PL-9	90%
8	PL-8	80%
7	PL-7	70%
6	PL-6	60%
5	PL-5	50%
4	PL-4	40%
3	PL-3	30%
2	PL-2	20%
1	PL-1	10%

CUISSON MULTI-ÉTAPES

Certaines recettes nécessitent différentes étapes de cuisson à différentes températures.

1. Appuyez sur **TIME COOK**.
2. Entrez le temps de cuisson désiré sur le pavé numérique.
3. Pour définir une puissance autre que 100%, appuyez sur **POWER LEVEL**.
4. Appuyez sur **TIME COOK**.
5. Entrez le programme de cuisson au micro-ondes de la deuxième étape (niveau de puissance et durée).
6. Appuyez sur **START / + 30 SEC** pour commencer.

REMARQUE: La durée maximale autorisée est de 99 min. 99 sec. La cuisson automatique, la décongélation et les repas pour enfants ne peuvent pas être définis dans un programme à plusieurs étapes.

1LB DEFROST

En mode veille, appuyez une fois sur la touche **1LB DEFROST** et le système commencera le dégivrage automatiquement. Utilisez de petites bandes de papier d'aluminium lisses pour couvrir les bords et les tranches plus minces des aliments.

DÉCONGELER PAR TEMPS

1. Appuyez sur le bouton **TIME DEFROST**.
2. Entrez la durée de dégivrage souhaitée sur le pavé numérique. Le temps de cuisson maximum que vous pouvez définir est de 99 minutes et 99 secondes).
3. Appuyez sur le bouton **START / Add 30Sec**.

DÉCONGELER EN POIDS

1. Appuyez sur **WEIGHT DEFROST**.
2. Utilisez le pavé numérique pour entrer le poids de la nourriture en onces (le poids maximum est 96)
3. Appuyez sur le bouton **START / + 30 SEC**.

Au cours du programme **WEIGHT DEFROST**, le système fera une pause et émettra un bip pour vous rappeler de retourner la nourriture. Après avoir retourné les aliments, appuyez sur la touche **START / + 30 SEC** pour reprendre la cuisson.

MENU CUISSON AUTO CUISSON

Pour certains aliments, il n'est pas nécessaire de programmer le temps et le niveau de puissance de cuisson. Vous pouvez utiliser les boutons d'aliments sur le panneau de commande.

BEURRE, FROMAGE OU CRÈME GLACÉE

1. Appuyez une fois sur le bouton de nourriture
2. Sélectionnez 1 ou 2 sur le pavé numérique pour sélectionner le montant. Appuyez sur 1 pour 4 oz ou appuyez sur 2 pour 8 oz
3. Appuyez sur **Start / Add 30 Sec** pour commencer la cuisson.

POPCORN

POPCORN règle automatiquement la cuisson temps pour un 3.5oz. sac de pop-corn micro-ondes.

1. Appuyez une fois sur le bouton POP-CORN.
2. Appuyez sur **Start / Add 30Sec** pour démarrer cuisine.

PIZZA, POMMES DE TERRE, VIANDE, RECHAUFFER ET LÉGUMES

1. Appuyez une fois sur le bouton de nourriture
2. Entrez le nombre de poids, en onces
3. Appuyez sur **Start / Add 30 sec** pour commencer la cuisson.

Gammes de poids acceptables:

Gammes Aliments	Poids
Pizza	10 - 28 oz
Patate	1 - 48 oz
Viande	1 - 32 oz
Réchauffer	1 - 37 oz
Légumes	1 - 48 oz

BOISSON

Pour les tasses (4-5 oz)

1. Appuyez sur **BEVERAGE**
2. Appuyez sur le nombre de portions
3. Appuyez sur **Start / Add 30Sec** pour démarrer la cuisson.

REPAS D'ENFANTS

Le bouton KIDS MEALS vous permet de cuisiner 4 aliments différents pour enfants.

1. Appuyez sur le bouton **KIDS MEAL**
2. Entrez 1 - 4 pour les éléments suivants:
 - 1** (pépites de poulet) **2** (hot dog) **3** (frites) **4** (sandwichs surgelés)
3. Appuyez sur **Start / Add 30Sec** pour confirmer votre choix. (Hot Dogs ou Sandwiches commenceront tout de suite).
4. Si vous avez choisi 1 ou 3 à l'étape précédente, vous devez maintenant entrer 1 -2 pour spécifier 4 ou 8 oz.
5. Appuyez sur **Start / Add 30Sec** pour démarrer la cuisson.

CARACTÉRISTIQUES SUPPLÉMENTAIRES ET FONCTIONNALITÉ

CONTRÔLE DE LA LUMIÈRE

Pour allumer la lumière au bas du four, appuyez sur **Light On / Off**:

CONTRÔLE DU VENTILATEUR

Votre four peut être utilisé comme une hotte. Quand il est allumé, le moteur du ventilateur commence à filtrer la fumée, les odeurs et la graisse générées par la cuisson. En mode veille, le ventilateur de ventilation est contrôlé manuellement. Appuyez sur le bouton VENT pour basculer entre Low (indiqué par "Vent.L"), High (indiqué par Vent.H) ou pour désactiver la ventilation.

MODE ECO

En mode veille, appuyez sur Eco Mode pour passer en mode d'économie d'énergie. À ce stade, l'affichage est désactivé. Appuyez sur n'importe quelle touche pour rallumer l'écran. S'il n'y a pas d'opération dans la minute, le système passe automatiquement en mode d'économie d'énergie. Appuyez de nouveau sur le bouton Eco Mode en mode veille mode pour le désactiver.

SERRURE D'ENFANT

L'appareil est doté d'un verrou de sécurité qui empêche les enfants de l'utiliser sans surveillance. Activer cette fonction, maintenez le bouton **STOP / CANCEL** enfoncé pendant 3 secondes. "LOCK" est indiqué sur le Écran d'action de menu.

Pour désactiver le verrouillage, maintenez enfoncées les touches **STOP / CANCEL** pendant 3 secondes. L'indicateur "LOCK" seradisparaître.

OVEN TIMER

La minuterie du four est utilisée indépendamment du cycle de cuisson. Pour régler la minuterie:

1. Appuyez sur le bouton **TIMER**.
2. Entrez la durée à l'aide des touches numériques. Le maximum autorisé est 99 minutes et 99 secondes.
3. Appuyez sur le bouton **START / Add 30Sec** pour commencer.

REMARQUE: Vous pouvez vérifier le compte à rebours en appuyant sur le bouton de la minuterie. Appuyer sur STOP / CANCEL annulera le chronomètre.

AUTRES FONCTIONS

- Pour **EXPRESS COOK**, appuyez simplement sur les touches 1 à 6 pour démarrer instantanément la cuisson à 100% nombre en minutes.
- Lorsque la cuisson est interrompue pendant 1 minute, le système repasse automatiquement en mode veille.
- Appuyez deux fois sur **STOP / CANCEL** pour arrêter la cuisson et effacer le programme en cours.
- Après la cuisson, le micro-ondes affichera "end" et émettra un bip toutes les deux minutes jusqu'à ce que STOP soit activé pressé ou la porte est ouverte.
- Si le four émet deux bips sonores consécutifs pendant la programmation, la saisie est invalide.

USTENSILES ET MATÉRIAUX

Les micro-ondes générées par ce four sont attirées et absorbées par les graisses, le sucre et l'eau molécules dans les aliments, les faisant bouger, produisant des frictions et de la chaleur qui cuisent les aliments.

1. Ne chauffez pas l'huile ou la graisse pour la friture. Il est difficile de contrôler la température de l'huile dans un four micro-onde.
2. Percez des aliments tels que des pommes de terre, des hot dogs, des courges entières, des pommes, des châtaignes et d'autres choses avec une peau lourde avant la cuisson.
3. Le contenu des biberons et des pots pour bébés doit être agité ou secoué et la température doit être vérifiée avant de servir afin d'éviter de graves brûlures.

La quantité, la taille et la forme, la température de départ, la composition et la densité de l'aliment affectent tous les résultats de cuisson. Les ustensiles de cuisine et la vaisselle doivent tenir sur le plateau tournant. Utilisez toujours des gants isolants ou des maniques lors de la manipulation, car tout plat peut devenir très chaud. N'utilisez pas d'ustensiles de cuisine ou de vaisselle à garniture dorée ou argentée.

VÉRIFICATION DE LA CUISSON, DES USTENSILES ET DES ARTICLES DE CUISINE À MICRO-ONDES

Tous les ustensiles de cuisine et les ustensiles doivent être qualifiés de micro-ondes. Nous savons que le métal ne va pas au micro-ondes, mais il peut y avoir certains ustensiles non métalliques, ustensiles de cuisine et vaisselle qui ne sont pas sûrs à utiliser pour micro-ondes. En cas de doute, vous pouvez tester l'ustensile en question en suivant les instructions la procédure ci-dessous.

1. Mettez la batterie de cuisine, les ustensiles ou la vaisselle au four avec 1 tasse (250 ml) d'eau à côté.
2. Cuire à 100% de la puissance de cuisson pendant 1 minute.
Remarque: lors du test, ne pas dépasser 1 minute de temps de cuisson.
3. N'utilisez pas d'ustensiles de cuisine, d'ustensiles ou de vaisselle s'ils deviennent chauds, alors que l'eau reste froide.

MATÉRIAUX RECOMMANDÉS

Les éléments suivants peuvent être utilisés s'ils sont étiquetés comme étant adaptés aux micro-ondes:

- **Plat à brunir pour micro-ondes** - Permet de dorer l'extérieur de petits objets tels que des steaks, côtelettes ou des crêpes. Suivez les instructions fournies avec votre plat à brunir.
- **Emballage plastique micro-ondable** - Utilisez-le pour retenir la vapeur. Laissez une petite ouverture pour de la vapeur pour s'échapper et éviter de le placer directement sur la nourriture.
- **Essuie-tout et serviettes de table** - À utiliser pour chauffer et recouvrir à court terme, car ils absorbent excès d'humidité et évitent les éclaboussures. N'utilisez pas d'essuie-tout en papier recyclé qui pourraient contenir des métaux et pourraient s'enflammer.
- **Bols et plats en verre et en vitrocéramique** - À utiliser pour chauffer ou cuire.
- **Assiettes et gobelets en papier** - À utiliser pour un chauffage à court terme à basse température. Ne pas utiliser du papier recyclé pouvant contenir des métaux et s'enflammer.
- **Papier ciré** - Utilisez-le comme couverture pour éviter les éclaboussures.

UTILISATION LIMITÉE

Du papier aluminium et du métal peuvent être utilisés dans le four à micro-ondes. Si non utilisé correctement, un arc (une lumière bleue) peut se produire et endommager le four à micro-ondes.

- **Papier aluminium** - Utilisez des bandes étroites de papier aluminium pour éviter la cuisson excessive des zones exposées. En utilisant trop de papier d'aluminium peut endommager votre four, soyez donc prudent. Vous devriez garder une distance de 1 pouce (2,54 cm) entre le papier aluminium et la cavité ou les parois du four.
- **Céramique, porcelaine et grès:** Utilisez-les s'ils portent la mention "Coffre-fort pour micro ondes".
- **Plastique** - Utilisez-le uniquement s'il est étiqueté "Micro-ondes". D'autres plastiques peuvent fondre.
- **Thermomètres** - Utilisez uniquement ceux portant la mention "Micro-ondes". à l'intérieur du four et suivez tous directions. Vérifiez la température des aliments à plusieurs endroits.

NON RECOMMANDÉ

- **Bocaux et bouteilles en verre** - Le verre ordinaire est trop mince pour être utilisé au micro-ondes. Il peut se briser et causer des dommages ou des blessures.
- **Sacs en papier** - Ils présentent un risque d'incendie, à l'exception des sacs à pop-corn conçus pour utilisation micro-ondes.
- **Assiettes et gobelets en styromousse:** ils peuvent fondre et laisser un résidu malsain sur les aliments.
- **Plats en plastique et récipients pour aliments** - Des récipients tels que des pots de margarine peuvent fondre au micro-ondes et / ou laisser un résidu malsain sur les aliments.
- **Ustensiles en métal** - Ils peuvent endommager votre four. Retirez tout le métal avant la cuisson. Ustensiles de cuisson et ustensiles de cuisson en métal, thermomètres à viande en or, en argent, en étain, non approuvés, des brochettes, des liens torsadés, des doublures de papier d'aluminium telles que des emballages de sandwich, des agrafes et des objets avec de l'or ou les garnitures en argent ou les émaux métalliques ne doivent pas être utilisés dans le four à micro-ondes.

TECHNIQUES DE CUISSON

Votre micro-ondes facilite la cuisson par rapport à la cuisson conventionnelle, à condition de conserver ces considérations à l'esprit:

MÉLANGER

Mélangez les aliments tels que les plats mijotés et les légumes pendant la cuisson (arrêtez la cuisson, mélangez puis reprenez) pour répartir la chaleur uniformément. La nourriture à l'extérieur du plat absorbe plus d'énergie et chauffe plus

rapidement, alors remuez de l'extérieur vers le centre. Le four s'éteint lorsque vous ouvrez la porte pour remuez vos aliments et vous pouvez appuyer sur le bouton START pour reprendre la cuisson.

ARRANGEMENT

Disposez des aliments de forme inégale, tels que des morceaux de poulet ou des côtelettes, avec les parties plus épaisses et charnues.

vers l'extérieur du plateau tournant où ils reçoivent plus d'énergie micro-ondes. Pour prévenir la surcuisson, placez les zones délicates, telles que les pointes d'asperges, vers le centre du plateau tournant.

BLINDAGE

Protégez les aliments avec de fines bandes de papier aluminium pour éviter de trop cuire. Zones nécessitant un blindage comprennent les extrémités des ailes de volaille, les extrémités des cuisses de volaille et les coins des plats de cuisson carrés. N'utilisez que de petites quantités de papier d'aluminium. Des quantités plus importantes peuvent endommager votre four.

TOURNAGE

Retournez les aliments à mi-cuisson pour exposer toutes les pièces à l'énergie du micro-ondes. C'est particulièrement important avec les gros aliments comme les rôtis.

REPOS

Les aliments cuits au micro-ondes accumulent la chaleur interne et continuent de cuire pendant quelques minutes après le chauffage cesse. Laissez les aliments reposer pour terminer la cuisson, en particulier les aliments comme les gâteaux et les légumes entiers. Les rôtis ont besoin de ce temps pour terminer la cuisson au centre sans trop cuire les zones extérieures. Tous les liquides, tels que la soupe ou le chocolat chaud, doivent être secoués ou brassés une fois la cuisson terminée. Laissez les liquides reposer un moment avant de servir. Lorsque vous réchauffez un aliment pour bébé, mélangez-le bien après l'avoir sorti du four et testez la température avant de servir.

AJOUT D'HUMIDITÉ

L'énergie des micro-ondes est attirée par les molécules d'eau. Les aliments dont la teneur en eau est inégale doivent être couverts ou laissés au repos de manière à ce que la chaleur se disperse de manière uniforme. Ajoutez une petite quantité d'eau à la nourriture sèche pour l'aider à cuire.

NETTOYAGE ET ENTRETIEN

- Le four doit être nettoyé régulièrement et tout dépôt de nourriture doit être enlevé. Échec à maintenir le four dans un état propre pourrait entraîner une détérioration de la surface. Cela pourrait nuire à la durée de vie de l'appareil et potentiellement entraîner une situation dangereuse. Éteignez le four et débranchez la fiche de la prise de courant avant de le nettoyer.
- Gardez l'intérieur du four propre. Lorsque des aliments éclaboussent ou que des liquides renversés adhèrent au four murs, essuyez-le avec un chiffon humide. Un détergent doux peut être utilisé si le four est sale. Évitez d'utiliser des aérosols et d'autres produits de nettoyage agressifs car ils pourraient tacher, laisser des traces ou ternir la surface de la porte.
- Les surfaces extérieures doivent être nettoyées avec un chiffon humide. Pour éviter d'endommager les pièces de fonctionnement à l'intérieur du four, l'eau ne devrait pas pénétrer dans la ventilation ouvertures.
- Essuyez la vitre des deux côtés avec un chiffon humide pour éliminer les éclaboussures.
- Ne laissez pas le panneau de commande devenir humide. Nettoyez-le avec un chiffon doux et humide. Lorsque vous nettoyez le panneau de commande, laissez la porte du four ouverte pour éviter tout accident allumer.
- Si de la vapeur s'accumule à l'intérieur ou à l'extérieur de la porte du four, essuyez-la avec un chiffon doux. Cela peut se produire lorsque le four à micro-ondes est utilisé dans des conditions d'humidité élevée. Dans ce cas, c'est normal.
- Il est parfois nécessaire de retirer le plateau en verre pour le nettoyer. Laver le plateau à chaud eau savonneuse ou au lave-vaisselle. Assurez-vous qu'il est complètement sec avant de le remettre dans le micro-ondes, puis assurez-vous qu'il est bien aligné avant de cuisiner à nouveau!
- La bague à rouleaux (pour le plateau en verre) et le fond du four doivent être nettoyés régulièrement pour éviter un bruit excessif ou une accumulation. Essuyez simplement la surface inférieure du four avec un détergent doux. Le rouleau peut être lavé à l'eau douce savonneuse ou au lave-vaisselle. Assurez-vous de replacer l'anneau et le plateau en verre dans la position appropriée avant de réutiliser le four.
- Éliminez les odeurs de votre four en combinant une tasse d'eau avec le jus et la pelure d'une citron dans un bol profond allant au micro-ondes. Micro-ondes pendant 5 minutes. Séchez-le soigneusement avec un chiffon doux.
- Quand il devient nécessaire de remplacer la lampe du four ou le filtre à charbon, veuillez consulter un technicien qualifié pour le faire remplacer.

Couvercle de guide d'ondes

Le couvercle du guide d'ondes est situé au plafond dans la cavité du four. Il est fabriqué à partir de mica et nécessite des soins particuliers. Gardez le couvercle du guide d'onde propre pour assurer de bonnes performances du four.

Essayez soigneusement avec un chiffon humide et éliminez les éclaboussures de nourriture de la surface de la couverture immédiatement après qu'ils se produisent. Les résidus accumulés peuvent provoquer de la fumée ou un incendie.

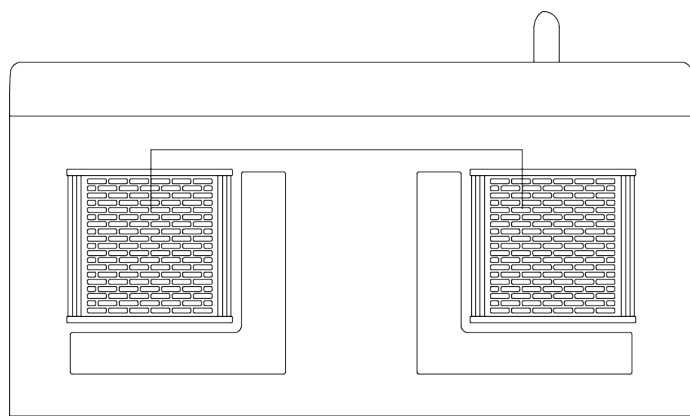
NE RETIREZ PAS LE COUVERCLE DU GUIDE DE DONNÉES.

Filtre à charbon et ampoule

Le filtre à charbon et les ampoules de cette unité sont remplaçables, mais doivent être remplacés par un technicien agréé. Le filtre devra peut-être être changé tous les 6 à 12 mois, en fonction de l'utilisation.

Filtres à graisse

Les filtres à graisse doivent être nettoyés au moins une fois par mois. Ne faites jamais fonctionner le ventilateur ou le four sans ces filtres en place. Tirez légèrement sur la languette vers l'avant du four et enlever le filtre. Répétez cette opération pour l'autre filtre. Faire tremper le filtre dans un évier ou un plat rempli de eau chaude et détergent. N'UTILISEZ PAS d'ammoniac ni d'autres alcalins car ils réagiraient avec le filtre et assombrir le matériau. Agiter et frotter avec une brosse pour enlever la saleté incrustée. Rincer bien et secouer sec. Remplacez le filtre nettoyé et séché dans l'ouverture.



DES CONSEILS DE DÉPANNAGE

ENGLISH

ESPAÑOL

FRANÇAIS

PROBLÈME	CAUSE POSSIBLE	RECOURS POSSIBLE
Le four ne démarre pas	<ul style="list-style-type: none"> Le cordon électrique n'est pas branché La porte du four est ouverte Mauvaise procédure ou séquence entrée 	<ul style="list-style-type: none"> Assurez-vous que l'appareil est branché dans la prise Fermez la porte du four et réessayez. Vérifiez les instructions pour vous assurer que la procédure est correcte
Étincelles ou arc électrique dans le four pendant la cuisson	<ul style="list-style-type: none"> Les matériaux à éviter dans le four à micro-ondes ont été utilisés Le four est utilisé à vide Restes de nourriture renversés dans la cavité 	<ul style="list-style-type: none"> Utilisez uniquement des ustensiles de cuisson allant au micro-ondes Ne commencez pas la cuisson lorsque le four est vide. Nettoyez le four avec une serviette humide
Aliments mal cuits	<ul style="list-style-type: none"> Les matériaux à éviter dans le four à micro-ondes ont été utilisés. La nourriture n'est pas complètement décongelée Le temps de cuisson ou le niveau de puissance ne convient pas à la nourriture La nourriture n'a pas été retournée ni remuée 	<ul style="list-style-type: none"> Utilisez uniquement des ustensiles de cuisson allant au micro-ondes Décongeler complètement les aliments Utilisez le temps de cuisson et / ou le niveau de puissance correct Retournez ou remuez les aliments.
Aliments trop cuits	<ul style="list-style-type: none"> Le temps de cuisson, le niveau de puissance ne convient pas 	<ul style="list-style-type: none"> Utilisez le temps de cuisson et / ou le niveau de puissance corrects.
Aliments insuffisamment cuits	<ul style="list-style-type: none"> Matériaux à éviter au micro-ondes four ont été utilisés La nourriture n'est pas complètement décongelée Les orifices de ventilation du four sont restreints Le temps de cuisson ou le niveau de puissance ne suffisent pas. 	<ul style="list-style-type: none"> Utilisez uniquement des ustensiles de cuisson allant au micro-ondes Décongeler complètement les aliments Vérifiez si les orifices de ventilation du four sont limité Utilisez le temps de cuisson et / ou le niveau de puissance corrects.
La nourriture ne décongèle pas correctement	<ul style="list-style-type: none"> Matériaux à éviter au micro-ondes les fours ont été utilisés Le temps de cuisson ou le niveau de puissance ne sont pas adapté à la nourriture La nourriture n'a pas été retournée ni remuée 	<ul style="list-style-type: none"> Utilisez uniquement des ustensiles de cuisson allant au micro-ondes. Utilisez le temps de cuisson correct et / ou niveau de puissance. Retournez ou remuez les aliments.

SPÉCIFICATIONS TECHNIQUES

Consommation d'énergie:	120V ~ 60Hz, 1650W (MICRO-ONDES)
Sortie:	1000W
Fréquence de fonctionnement:	2450 MHz
Dimensions extérieures (H × L × P):	16 7/8 "(H) × 29 7/8" (L) × 17 11/16 "(D)
Dimensions de la cavité du four (H × L × P):	10 3/16 "(H) × 21 5/16" (L) × 14 10/16 "(D)
Capacité du four:	1,6 pi ³
Poids net:	env. 55,1 lb

SERVICE TECHNIQUE

Avant de contacter le support client, veuillez consulter la section de dépannage ci-dessus.

Visitez notre site Web pour nous contacter, trouver des réponses aux questions fréquemment posées et pour d'autres ressources pouvant inclure une version mise à jour de ce guide de l'utilisateur.

 WWW.IMPECCA.COM

Si vous souhaitez nous contacter par téléphone, assurez-vous d'avoir votre numéro de modèle et votre numéro de série à portée de main et appelez-nous entre 9 h et 18 h HE, au +1 866-954-4440.

Gardez un œil sur les dernières innovations d'Impecca et participez à des concours via nos réseaux sociaux:

 www.facebook.com/Impecca/

 www.instagram.com/impecca/

 @impeccausa

GARANTIE LIMITÉE D'UN AN

Impecca™ garantie auprès de l'acheteur original cet appareil contre toutes déficiences liées au matériel et à la fabrication tel que spécifié ci-dessous.

PIÈCES ET MAIN D'ŒUVRE- S'il est déterminé que l'appareil a un problème lié à la fabrication, à l'intérieur d'une période d'un an de la date d'achat originale, Impecca™, à sa discrétion, pourra remplacer ou réparer les pièces de l'appareil sans frais pour vous aux États-Unis.

Afin d'obtenir des services sous garantie par un fournisseur autorisé par le centre de service d'Impecca™, veuillez nous rejoindre par courriel : service@impecca.com afin d'obtenir un numéro d'autorisation d'entretien et réparation (Repair and Maintenance Authorization – RMA). Vous recevrez également des détails liés au processus de réparation et/ou remplacement.

Tout matériau en vitre inclus avec l'appareil est couvert par une garantie de 60 jours à compter de la date d'achat (lorsque applicable).

Impecca™ exclus spécifiquement de cette garantie tout attachement non électrique / mécanique, accessoires ou pièce jetable incluant, mais non limité au boîtier externe, les câbles connecteurs, les piles et les adaptateurs secteurs. Impecca™ se réserve le droit de réparer ou remplacer les appareils défectueux par un modèle pareil, équivalent ou plus récent.

Nous nous réservons le droit de réparer ou de remplacer l'appareil à notre discrétion. Le remplacement pourrait être par un appareil nouveau ou remis à neuf. Bien que tous les efforts soient mis de l'avant pour assurer qu'il s'agisse du même modèle, s'il s'avère impossible, le remplacement sera de qualité similaire ou supérieure.

L'usure normale de l'appareil n'est pas couverte par cette garantie. Impecca™ se réserve le droit de déterminer le niveau d'usure sur l'ensemble de ses appareils. Ouvrir le boîtier ou modifier l'appareil annule dans son entièreté la présente garantie.

Exclusions : la garantie présente exclut les points suivants :

1. Tout appareil dont le numéro de série est effacé ou rendu illisible.
2. Tout appareil transféré à un second propriétaire.
3. La rouille formée à l'intérieur ou à l'extérieur de l'unité.
4. Les appareils marqués « Tel quel » ou « Remis à neuf ».
5. Pertes d'aliments dus à un mauvais fonctionnement de l'appareil.
6. Climatiseur à fenêtre installés au mur.
7. Si l'appareil est utilisé à des fins commerciales.
8. Appels de service qui ne sont pas en lien avec un mal fonctionnement de l'appareil.

9. Appels de service pour un appareil endommagé suite au non-respect des instructions fournies.
10. Appels de service liés à une installation défectueuse.
11. Coûts entraînés à rendre l'appareil accessible pour l'entretien (incluant, mais non limité à l'enlèvement de moulures, plinthes, armoires, etc.)
12. Appels de service pour le remplacement de pièces consommables tels que des ampoules, filtres, etc.
13. Des frais additionnels peuvent s'appliquer aux appels de service en soirée, en fin de semaine, les jours fériés. Des dommages à la finition de l'appareil ou à des ameublements suite à l'installation de l'appareil.
14. Dommages causés par : des circonstances exceptionnelles; incendie; mauvaise utilisation; accident; alimentation électrique inappropriée; entretien effectué par une personne non autorisée; utilisation de pièces non d'origine d'Impecca, etc.

TOUTE GARANTIE IMPLICITE, Y COMPRIS LES GARANTIES DE QUALITÉ MARCHANDE ET D'ADAPTATION À UN USAGE PARTICULIER EST LIMITÉ POUR UNE DURÉE DE 1 AN À COMPTER DE LA DATE DE L'ACHAT ORIGINAL DE CE PRODUIT.

CES GARANTIES ET RECOURS DEMEURENT EXCLUSIFS À LA VENTE ET L'UTILISATION DE CE PRODUIT. AUCUNE AUTRE GARANTIE, ORALE OU ÉCRITE, EXPLICITE OU IMPLICITE, NE SERA ÉMISE.

IMPECCA™ NE PEUT PAS ÊTRE TENU RESPONSABLE POUR DES DOMMAGES SPÉCIAUX, ACCIDENTELS, CONSÉQUENTS, DIRECTS OU AUTRES CONNUS OU QUI AURAIENT PU ÊTRE COMMUNIQUÉS À IMPECCA™, Y COMPRIS LA PERTE DE PROFITS, DE BIENVEILLANCE, DE BIENS ET DE BLESSURES RÉSULTANT D'UNE VIOLATION DE LA GARANTIE, L'INCAPACITÉ D'UTILISER LE PRODUIT OU EN VERTU DE TOUTE THÉORIE JURIDIQUE EN CONTRAT OU DÉLIT. LA RESPONSABILITÉ D'IMPECCA EST LIMITÉE AU PRIX D'ACHAT PAYÉ AU VENDEUR EN DÉTAIL DU PRODUIT DÉFECTUEUX.

Aucun revendeur, agent ou employé d'Impecca™ n'est autorisé à effectuer une modification, une extension, un changement ou un amendement de cette garantie sans le consentement écrit et l'autorisation d'Impecca™.

Certains états ne permettent pas l'exclusion ou la limitation des garanties implicites ou de responsabilité en lien avec des dommages accidentels ou des dommages conséquents ou ne permettent pas une limitation sur la durée de la garantie implicite. Donc, les limitations ou exclusions ci-dessus peuvent ne pas s'appliquer à vous. Cette garantie vous donne des droits légaux spécifiques et vous détenez d'autres droits, qui peuvent varier d'état en état.

Note : Notre centre de la garantie effectue la livraison uniquement qu'aux États-Unis continentaux.

