

PDT755SY

UltraFresh System™ Dishwasher with Microban® Antimicrobial Technology

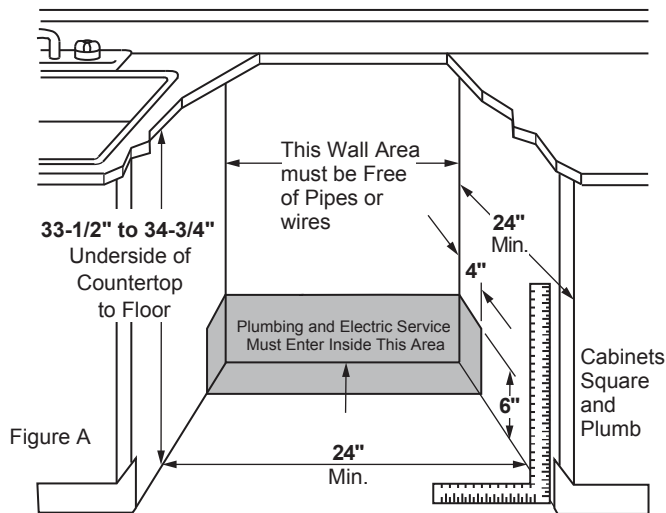
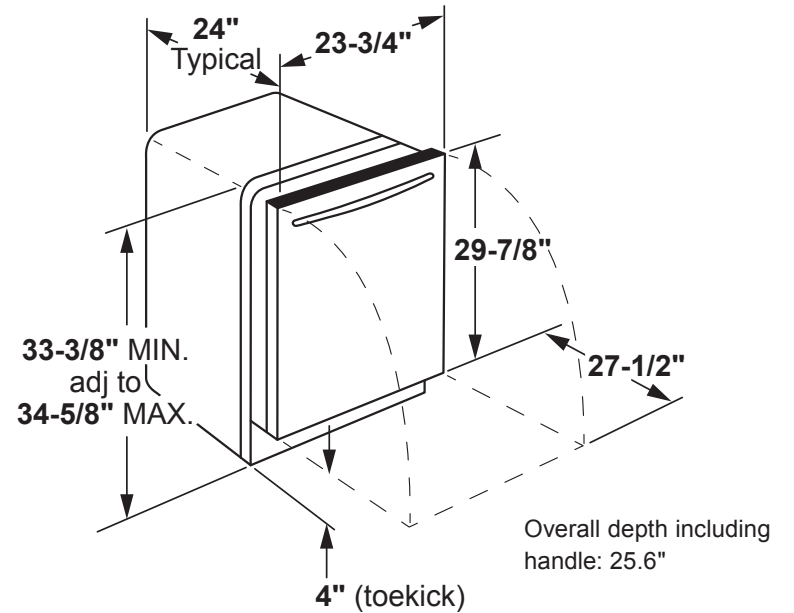
DIMENSIONS AND INSTALLATION INFORMATION (IN INCHES)

ELECTRICAL RATING

Voltage AC.....	120
Hertz.....	60
Total connected load amperage.....	6.6
Calrod® heater watts max.....	800/500

For use on adequately wired 120-volt, 6.6-amp circuit having 2-wire service with a separate ground wire. This appliance must be grounded for safe operation.

INSTALLATION INFORMATION: Before installing, consult installation instructions packed with product for current dimensional data.



For answers to your GE Profile™ or GE appliances product questions, visit our website at geappliances.com or call GE Answer Center® Service, 800.626.2000.



Certified to NSF Standard 184 for sanitization



Listed by Underwriters Laboratories



As an ENERGY STAR® partner, GE has determined that this product meets the ENERGY STAR guidelines for energy efficiency.

Specification Revised 5/21

PDT755SY

UltraFresh System™ Dishwasher with Microban® Antimicrobial Technology

FEATURES AND BENEFITS

Microban® Antimicrobial Technology – Built into high usage touchpoints to help prevent bacteria growth, Microban antimicrobial technology keeps treated surfaces 99% cleaner than unprotected surfaces, delivering protection for the product's lifetime.

UltraFresh System – Smart algorithms add clean air to reduce moisture, and sensors to refresh the wash system with clean water to help prevent the growth of odor-causing bacteria. Interior filters are treated with Microban antimicrobial technology.

Steam + Sani – Save time with a steam and sanitize option that loosens tough soils before the wash cycle begins, so you get a complete wash with no pre-rinsing or soaking necessary. Plus, a sanitization cycle reduces 99.999% of bacteria on dishes.

Dry Boost™ with Fan Assist – Dry Boost with Fan Assist gets hard-to-dry items like plastics up to 3 times drier than heated dry cycles using a fan that pulls moist air out, resulting in table ready dishes.

Built-In WiFi Dishwasher – Get the most out of your smart dishwasher with built-in WiFi powered by SmartHQ. It lets you use your smartphone to control your unit remotely, monitor cycles and even automatically order more detergent.

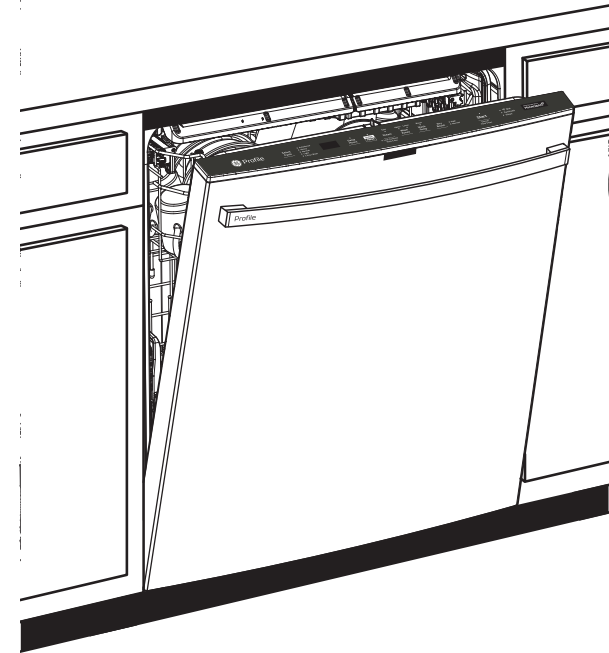
Deep Clean Silverware Jets – This dishwasher with powerful cleaning jets washes your silverware to perfection, no matter how you load it. A system of 40 jets blast the silverware basket from the bottom up, removing all stuck-on foods.

Built-In Third Rack – This dishwasher with third rack storage lets you easily clean more items in fewer loads. It gives you extra loading flexibility with a place to wash and dry silverware, spatulas, lids and more.

Bottle Wash Jets – This dishwasher with bottle jets ensures a deep clean for tall items, narrow glasses, jars and more. In the upper rack, each of the four bottle wash jets direct water and detergent inside to effectively wash hard-to-reach areas.

Water Leak Sensor – This dishwasher features Active Flood Protect, which prevents potential overflows for greater peace of mind. It works by using a water leak detector to sense when water is too high, pumping it out until a safe level is reached.

42 dBA Dishwasher – With this ultra-quiet dishwasher, you get reliable wash performance and a deep clean without unwanted noise in the kitchen.



Bar Handle – PDT755SYRFS – Fingerprint Resistant Stainless

Pocket Handle PDP755SYRFS – Fingerprint Resistant Stainless



Surfaces treated with Microban Antimicrobial Product Technology provides 99% cleaner surfaces compared to untreated surfaces. Based on aggregate component performance results using standard ISO 22196 test method.