

# Installation Instructions

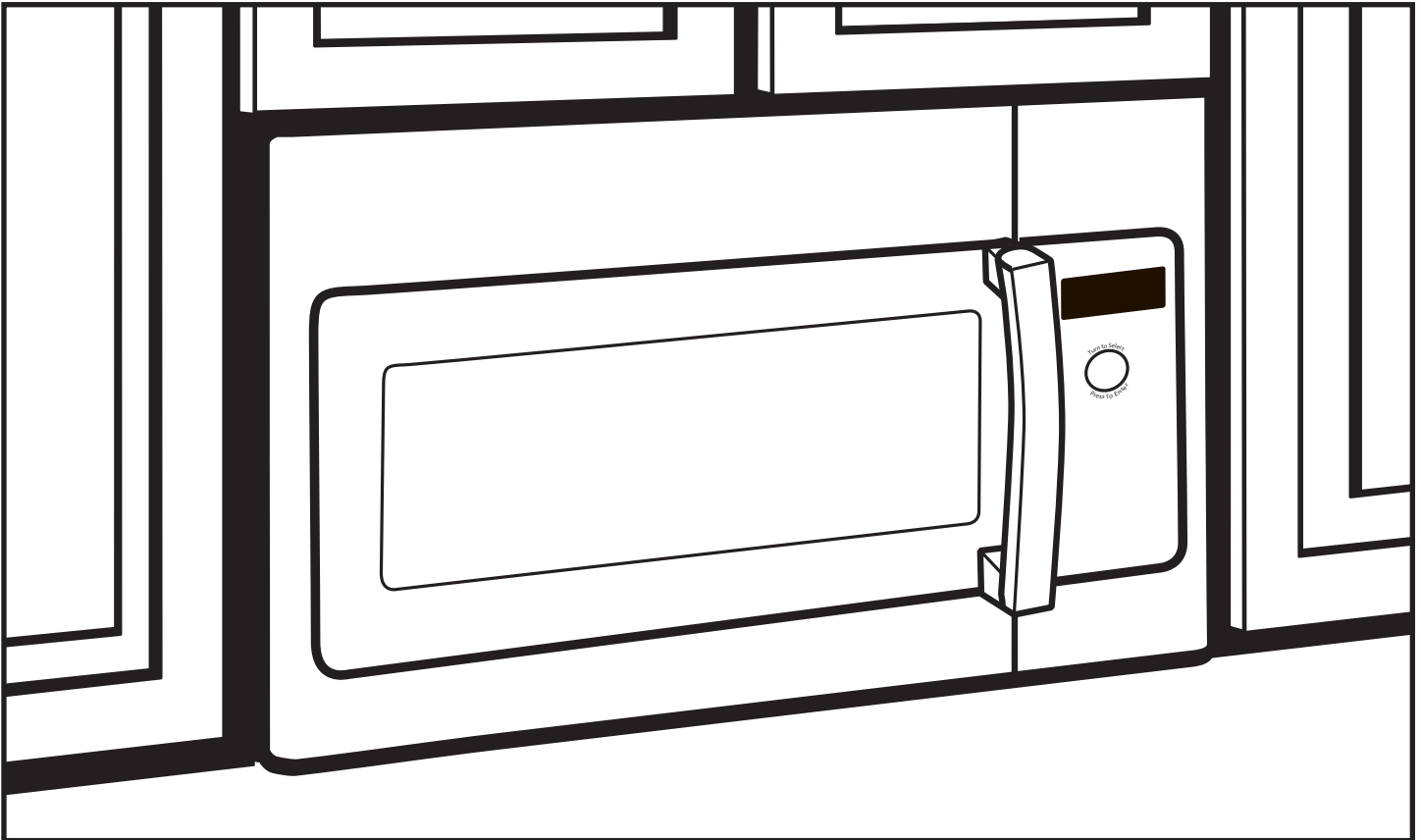
## Above the Cooktop Oven

PSA9120, PSA9240, ZSA1202

### BEFORE YOU BEGIN

Read these instructions completely and carefully.

- **IMPORTANT** – Save these instructions for local inspector's use.
- **IMPORTANT** – Observe all governing codes and ordinances.
- **Note to Installer** – Be sure to leave these instructions with the Consumer.
- **Note to Consumer** – Keep these instructions for future reference.
- **Skill level** – Installation of this appliance requires basic mechanical and electrical skills.
- Proper installation is the responsibility of the installer.
- Product failure due to improper installation is not covered under the Warranty.



English/Spanish



MFL59060943

**READ CAREFULLY.  
KEEP THESE INSTRUCTIONS.**

31-7000138 Rev. 1 06-23 GEA

# Installation Instructions

## CONTENTS

### General information

Important Safety Instructions .....	3
Electrical Requirements.....	3
Hood Exhaust .....	4, 5
Damage – Shipment/Installation .....	6
Parts Included.....	6
Tools You Will Need.....	7
Mounting Space.....	7

### Step-by-step installation guide

Placement of Mounting Plate .....	8–10
Removing the Mounting Plate .....	8
Finding the Wall Studs .....	8
Determining Wall Plate Location .....	9
Aligning the Wall Plate .....	10

### Installation Types .....

<b>A</b> Outside Top Exhaust.....	12–14
Attach Mounting Plate to Wall .....	12
Preparation of Top Cabinet .....	13
Assemble and Install Adaptor.....	13
Mount the Oven .....	13, 14
Adjust the Exhaust Adaptor .....	14
Connecting Ductwork.....	14

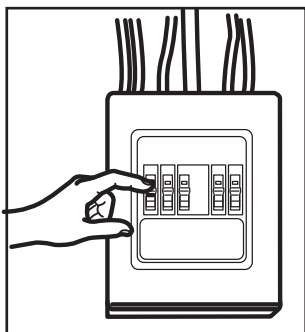
<b>B</b> Outside Back Exhaust.....	15–18
Preparing Rear Wall for Outside Back Exhaust .....	15
Attach Mounting Plate to Wall .....	15, 16
Preparation of Top Cabinet .....	16
Adapting Blower for Outside Back Exhaust .....	16, 17
Mount the Oven .....	18

<b>C</b> Recirculating.....	19–22
Attach Mounting Plate to Wall .....	19
Preparation of Top Cabinet .....	19
Adapting Blower for Recirculation.....	20, 21
Mount the Oven .....	21, 22
Installing the Charcoal Filter .....	22
<b>Before You Use Your Oven .....</b>	<b>23</b>
<b>Sección en Español .....</b>	<b>25–47</b>

# Installation Instructions

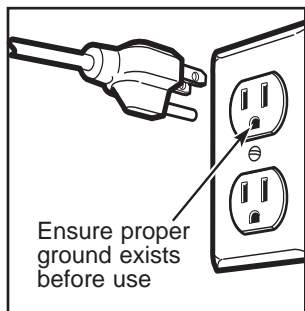
## IMPORTANT SAFETY INSTRUCTIONS

A qualified electrician must perform a ground continuity check on the wall receptacle before beginning the installation to ensure that the outlet box is properly grounded. If not properly grounded, or if the wall receptacle does not meet electrical requirements noted (under ELECTRICAL REQUIREMENTS), a qualified electrician should be employed to correct any deficiencies.

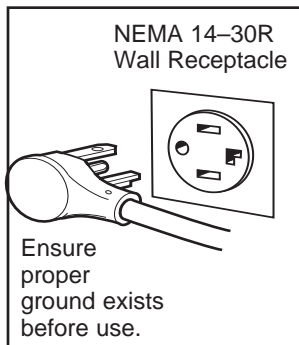


**⚠ WARNING**  
**Risk of Electric Shock. Can cause injury or death: Remove house fuse or open circuit breaker before beginning installation to avoid severe or fatal shock injury.**

**⚠ WARNING** Risk of Electric Shock.  
**Can cause injury or death: THIS APPLIANCE MUST BE PROPERLY GROUNDED to avoid severe or fatal shock.**



**120 V Models**  
The power cord of this appliance is equipped with a three-prong (grounding) plug which mates with a standard three-prong (grounding) wall receptacle to minimize the possibility of electric shock hazard from this appliance.



**240 V Models**  
The wall outlet receptacle recommended for this application is NEMA #14-30R and accepts the four-prong grounded plug of this appliance.

Where a standard two-prong wall receptacle is encountered, it must be replaced with a properly grounded three-prong wall receptacle, installed by a qualified electrician.

**⚠ WARNING** Risk of Electric Shock. Can cause injury or death: DO NOT, under any circumstances, cut, deform or remove any of the prongs from the power cord. Do not use with an extension cord. Failure to comply may cause fire.

**⚠ CAUTION** For personal safety, the mounting surface must be capable of supporting the cabinet load, in addition to the added weight of this 63–85 pound product, plus additional oven loads of up to 50 pounds or a total weight of 113–135 pounds.

**⚠ CAUTION** For personal safety, this product cannot be installed in cabinet arrangements such as an island or a peninsula. It must be mounted to BOTH a top cabinet AND a wall.

**⚠ CAUTION** To avoid the risk of personal injury (back injury or other injuries due to excessive weight of the microwave oven) or property damage, you will need two people to install this microwave oven.

## ELECTRICAL REQUIREMENTS

**120 V Models**  
This product requires a three-prong grounded outlet. Product rating is 120 volts AC, 60 Hertz, 15 amps, and 1.70 kilowatts. This product must be connected to a supply circuit of the proper voltage and frequency. Wire size must conform to the requirements of the National Electrical Code or the prevailing local code for this kilowatt rating. The power supply cord and plug should be brought to a separate 15 to 20 ampere branch circuit single grounded outlet. The outlet box should be located in the cabinet above the oven and away from any potential microwave oven ducting. The outlet box and supply circuit should be installed by a qualified electrician and conform to the National Electrical Code or the prevailing local code.

**240 V Models**  
This product requires a four-prong grounded outlet. Product rating is 120/208 or 120/240 volts, 60 Hertz, 30 amps and 6.5 kilowatts. This product must be connected to an individual properly grounded branch circuit, protected by circuit breakers or time-delay fuses. Wire size must conform to the requirements of the National Electrical Code or the prevailing local code for this kilowatt rating. The outlet box should be located in the cabinet above the oven and away from any potential microwave oven ducting. The outlet box and supply circuit should be installed by a qualified electrician and conform to the National Electrical Code or the prevailing local code.

# Installation Instructions

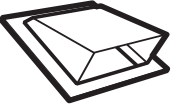


## HOOD EXHAUST

**NOTE:** Read these next two pages only if you plan to vent your exhaust to the outside. If you plan to recirculate the air back into the room, proceed to page 6.

### OUTSIDE TOP EXHAUST (EXAMPLE ONLY)

The following chart describes an example of one possible ductwork installation.

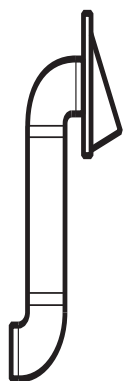





DUCT PIECES		EQUIVALENT LENGTH	x	NUMBER USED	=	EQUIVALENT LENGTH
	Roof Cap	24 Ft.	x	(1)	=	24 Ft.
	12 Ft. Straight Duct (6" Round)	12 Ft.	x	(1)	=	12 Ft.
	Rectangular-to-Round Transition Adaptor*	5 Ft.	x	(1)	=	5 Ft.
Equivalent lengths of duct pieces are based on actual tests and reflect requirements for good venting performance with any vent hood. <b>Total Length =</b>						<b>41 Ft.</b>

**\*IMPORTANT:** If a rectangular-to-round transition adaptor is used, the bottom corners of the damper will have to be cut to fit, using the tin snips, in order to allow free movement of the damper.

### OUTSIDE BACK EXHAUST (EXAMPLE ONLY)

The following chart describes an example of one possible ductwork installation.



DUCT PIECES		EQUIVALENT LENGTH*	x	NUMBER USED	=	EQUIVALENT LENGTH
	Wall Cap	40 Ft.	x	(1)	=	40 Ft.
	3 Ft. Straight Duct (3 1/4" x 10" Rectangular)	3 Ft.	x	(1)	=	3 Ft.
	90° Elbow	10 Ft.	x	(2)	=	20 Ft.
Equivalent lengths of duct pieces are based on actual tests and reflect requirements for good venting performance with any vent hood. <b>Total Length =</b>						<b>63 Ft.</b>

**NOTE:** For back exhaust, care should be taken to align exhaust with space between studs, or wall should be prepared at the time it is constructed by leaving enough space between the wall studs to accommodate exhaust.

# Installation Instructions

**NOTE:** If you need to install ducts, note that the total duct length of 3¼" x 10" rectangular or 6" diameter round duct **should not exceed 140 equivalent feet.**

Outside ventilation requires a HOOD EXHAUST DUCT. Read the following carefully.

**NOTE:** It is important that venting be installed using the most direct route and with as few elbows as possible. This ensures clear venting of exhaust and helps prevent blockages. **Also, make sure dampers swing freely and nothing is blocking the ducts.**

**Exhaust connection:**





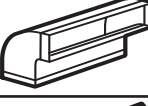



The hood exhaust has been designed to mate with a standard 3¼" x 10" rectangular duct.

If a round duct is required, a rectangular-to-round transition adaptor must be used. **Do not use less than a 6" diameter duct.**

**Maximum duct length:**

For satisfactory air movement, the total duct length of 3¼" x 10" rectangular or 6" diameter round duct **should not exceed 140 equivalent feet.**

**Elbows, transitions, wall and roof caps, etc.,** present additional resistance to airflow and are equivalent to a section of straight duct which is longer than their actual physical size. When calculating the total duct length, add the equivalent lengths of all transitions and adaptors plus the length of all straight duct sections. The chart below shows you how to calculate total equivalent ductwork length using the approximate feet of equivalent length of some typical ducts.

DUCT PIECES	EQUIVALENT LENGTH	x	NUMBER USED	=	EQUIVALENT LENGTH	
 Rectangular-to-Round Transition Adaptor*	5 Ft.	x	( )	=	Ft.	
 Wall Cap	40 Ft.	x	( )	=	Ft.	
 90° Elbow	10 Ft.	x	( )	=	Ft.	
 45° Elbow	5 Ft.	x	( )	=	Ft.	
 90° Elbow	25 Ft.	x	( )	=	Ft.	
 45° Elbow	5 Ft.	x	( )	=	Ft.	
 Roof Cap	24 Ft.	x	( )	=	Ft.	
 Straight Duct 6" Round or 3¼" x 10" Rectangular	1 Ft.	x	( )	=	Ft.	
<b>Total Ductwork</b>					<b>=</b>	<b>Ft.</b>



**\* IMPORTANT:** If a rectangular-to-round transition adaptor is used, the bottom corners of the damper will have to be cut to fit, using the tin snips, in order to allow free movement of the damper.

Equivalent lengths of duct pieces are based on actual tests and reflect requirements for good venting performance with any vent hood.


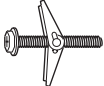


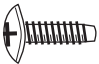
# Installation Instructions

## DAMAGE – SHIPMENT/ INSTALLATION

- If the unit is damaged in shipment, return the unit to the store in which it was bought for repair or replacement.
- If the unit is damaged by the customer, repair or replacement is the responsibility of the customer.
- If the unit is damaged by the installer (if other than the customer), repair or replacement must be made by arrangement between customer and installer.

## PARTS INCLUDED

### HARDWARE PACKET

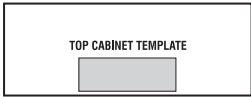
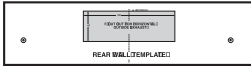

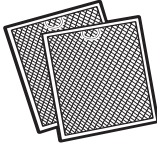
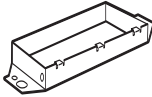

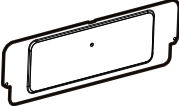
PART		QUANTITY
	Wood Screws (1/4" x 2")	2
	Toggle Bolts (and wing nuts) (1/4" x 3")	3
	Self-aligning Machine Screw (1/4"-28 x 2 5/8")	PVM9179: 3 PSA9120: 4 PSA9240: 4
	Nylon Grommet (for metal cabinets)	2
	Metal Screws (1/8" x 1/2")	1 black 3 bronze

You will find the installation hardware contained in a packet with the unit. Check to make sure you have all these parts.

**NOTE:** Some extra parts are included.

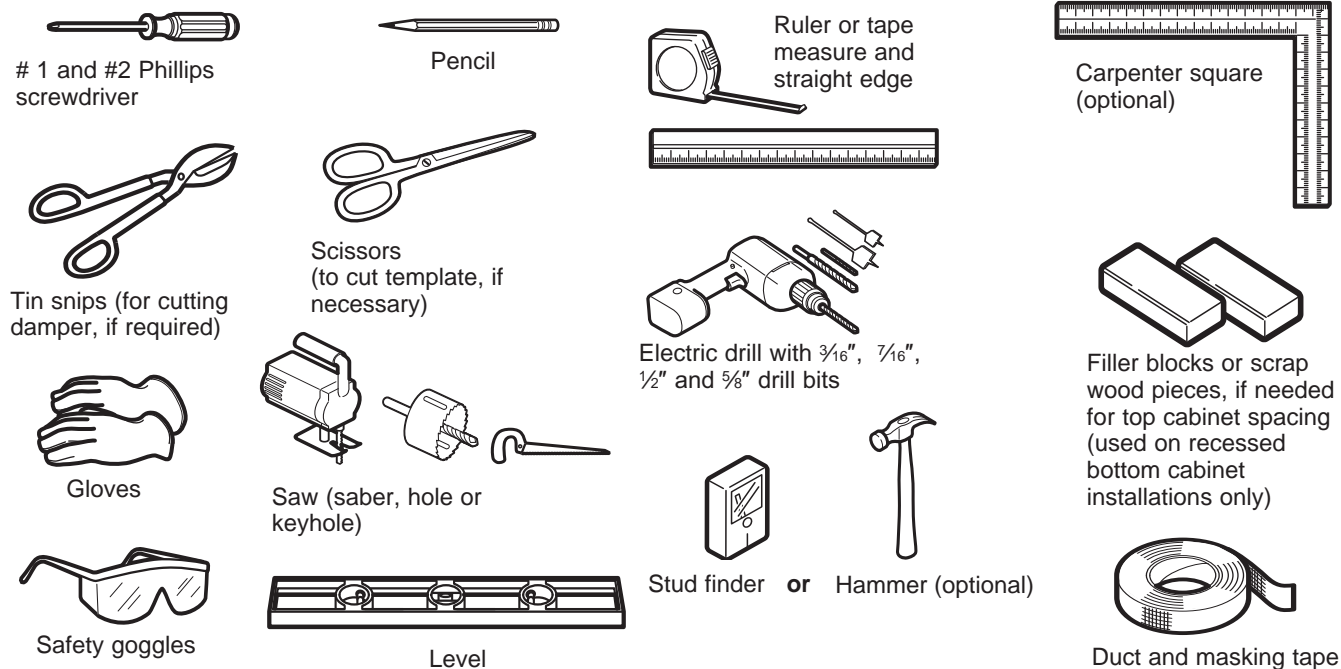
## PARTS INCLUDED

### ADDITIONAL PARTS

PART		QUANTITY
	Top Cabinet Template	1
	Rear Wall Template	1
	Installation Instructions	1
	Seperately Packed grease filters	2
	Exhaust Adaptor	1
	Damper	1
	Cover plate	1

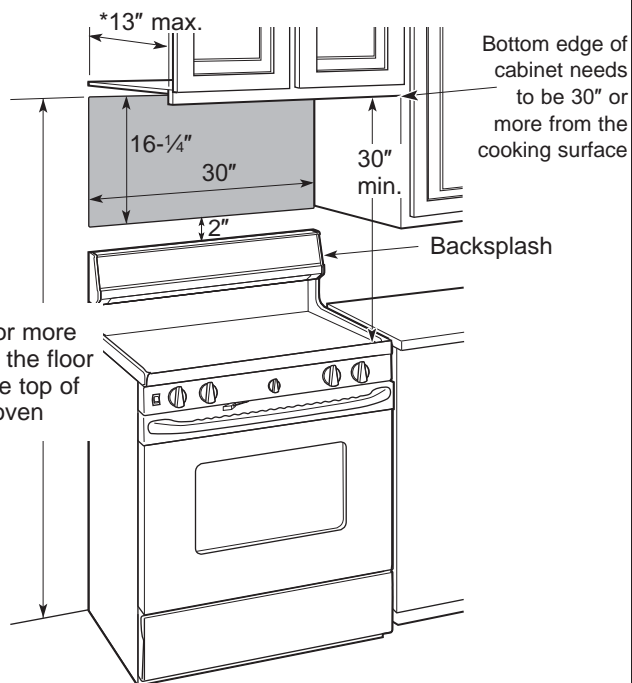
# Installation Instructions

## TOOLS YOU WILL NEED



## MOUNTING SPACE

- The space between the cabinets must be 30" wide and free of obstructions.
- If the space between the cabinets is greater than 30", a Filler Panel Kit may be used to fill in the gap between the oven and the cabinets. Your Owner's Manual contains the kit number for your model.
- This oven is for installation over ranges up to 36" wide.
- If you are going to vent your oven to the outside, see Hood Exhaust Section for exhaust duct preparation.
- When installing the oven beneath smooth, flat cabinets, be careful to follow the instructions on the top cabinet template for power cord clearance.
- **\* 13" max: for standard installation, 15" cabinet depth requires additional steps using an additional installation kit JX15BUMPWW/BB.**
- For models with top venting holes: Do not allow cabinetry or other objects to block the airflow of the vent.
- This microwave is suitable for installation over electric or gas cooking appliances with a combined BTU of 63,000 BTU or less.
- Café branded gas cooking appliances should only be installed in combination with a Café branded over-the-range microwave.
- Monogram branded gas cooking appliances should only be installed in combination with a Monogram branded over-the-range microwave.
- Monogram branded gas cooking appliances with a combined BTU greater than 66,000 BTU should not be paired with an over-the-range microwave.

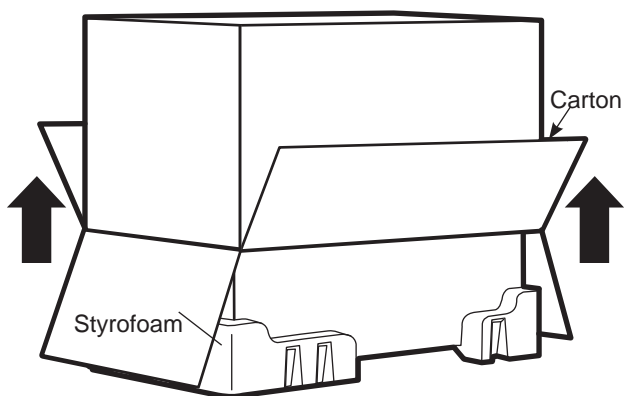


# Installation Instructions

## 1 PLACEMENT OF THE MOUNTING PLATE

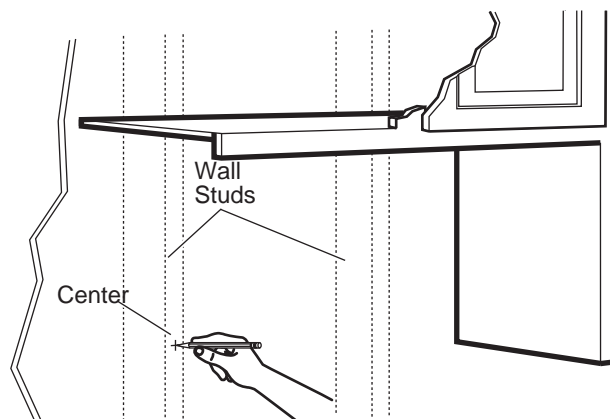
### A REMOVING THE OVEN FROM THE CARTON/REMOVING THE MOUNTING PLATE

- 1 Remove the box containing the installation instructions, filters, exhaust adaptor, damper and the small hardware bag. Do not remove the Styrofoam protecting the front of the oven.
- 2 Fold back all 4 carton flaps fully against carton sides. Then carefully roll the oven and carton over onto the top side. The oven should be resting in the Styrofoam.



- 3 Pull the carton up and off the oven.
- 4 The mounting plate is attached to the back of the oven. Remove the two screws holding it to the oven. The plate will be used as the rear wall template and for mounting the oven to the wall.
- 5 Set the oven upright. Remove and properly discard plastic bags and Styrofoam.
- 6 Open the oven door and remove the styrofoam pack from inside the oven. Remove the tape covering the turntable hub.

### B FINDING THE WALL STUDS



- 1 Find the studs, using one of the following methods:
  - A. Stud finder – a magnetic device which locates nails.

**OR**

  - B. Use a hammer to tap lightly across the mounting surface to find a solid sound. This will indicate a stud location.
- 2 After locating the stud(s), find the center by probing the wall with a small nail to find the edges of the stud. Then place a mark halfway between the edges.
- 3 The center of any adjacent studs should be 16" or 24" from this mark.

Draw a line down the center of the studs.

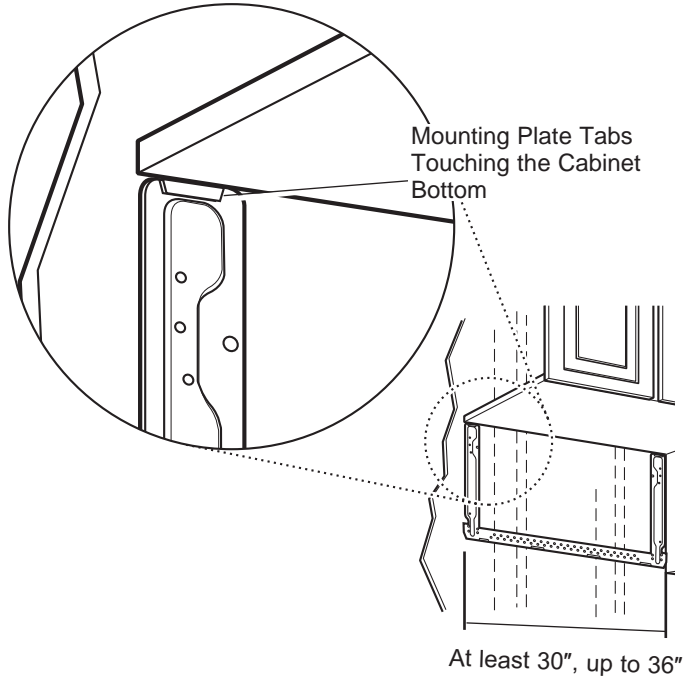
**IMPORTANT:** The microwave oven must be connected to at least one wall stud.



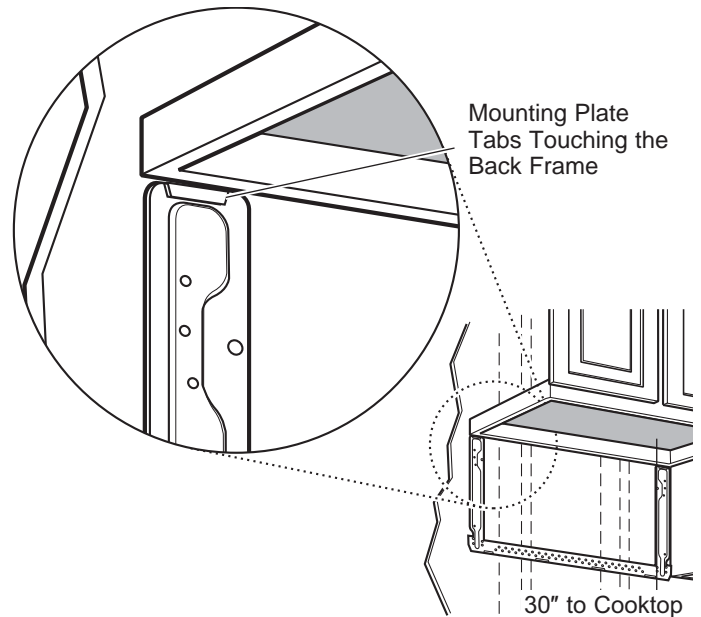
# Installation Instructions

## C DETERMINING WALL PLATE LOCATION UNDER YOUR CABINET

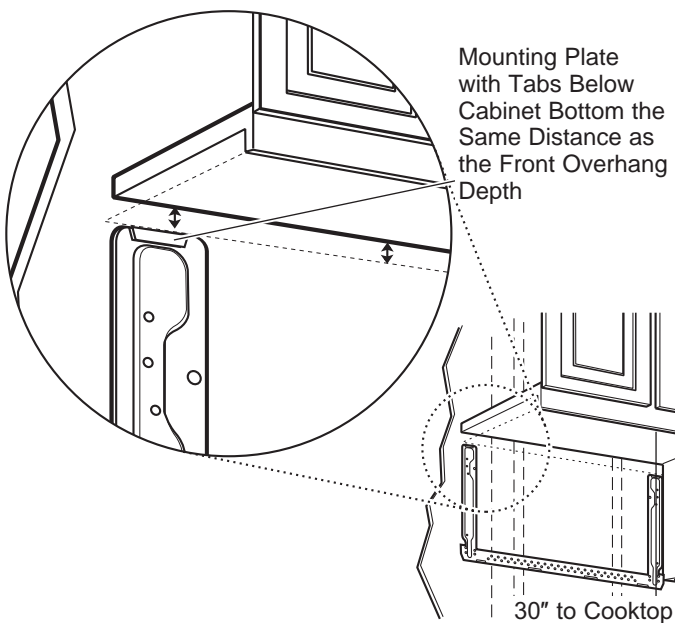
### Plate position – beneath flat bottom cabinet



### Plate position – beneath framed recessed cabinet bottom



### Plate position – beneath recessed bottom cabinet with front overhang



Your cabinets may have decorative trim that interferes with the oven installation. Remove the decorative trim to install the oven properly and to make it level.

#### THE OVEN MUST BE LEVEL.

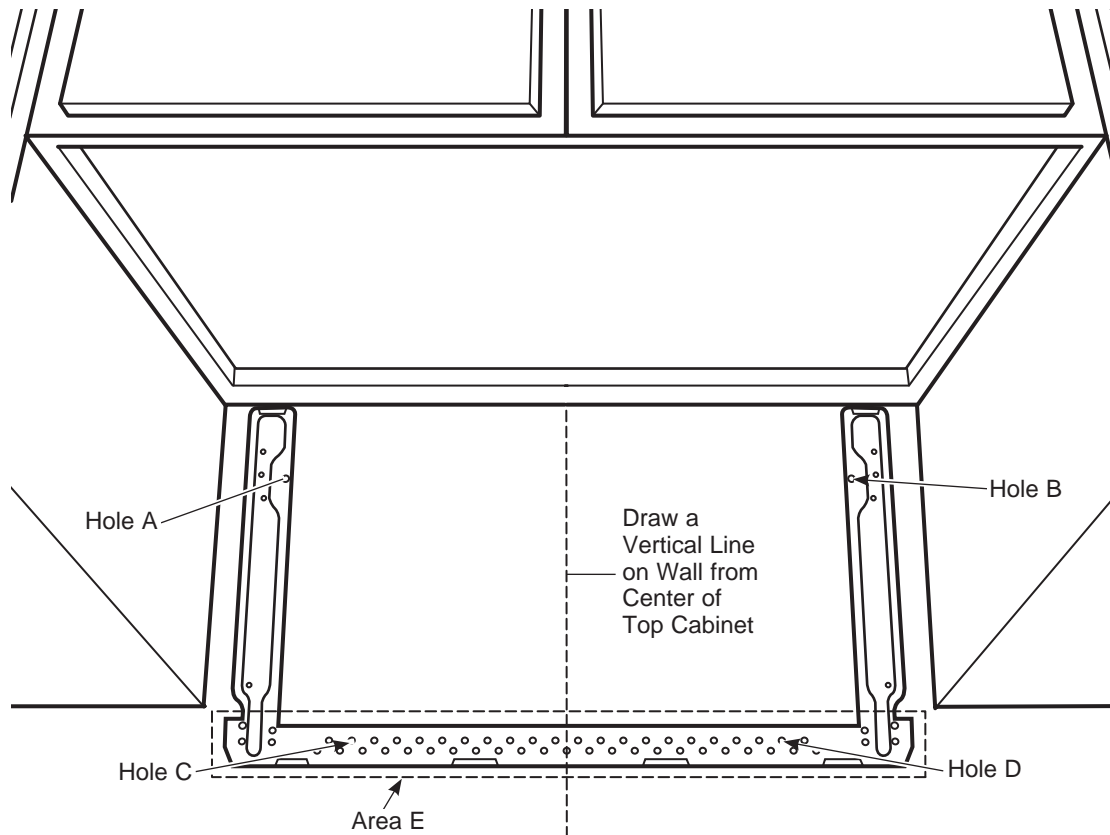
Use a level to make sure the cabinet bottom is level.

If the cabinets have a front overhang only, with no back or side frame, install the mounting plate down the same distance as the front overhang depth. This will keep the oven level.

- 1 Measure the inside depth of the front overhang.
- 2 Draw a horizontal line on the back wall an equal distance below the cabinet bottom as the inside depth of the front overhang.
- 3 For this type of installation with front overhang only, align the mounting tabs with this horizontal line, not touching the cabinet bottom as described in Step D.

# Installation Instructions

## D ALIGNING THE WALL PLATE



**CAUTION** Wear gloves to avoid cutting fingers on sharp edges.

- 1 Draw a vertical line on the wall at the center of the 30" wide space.
- 2 Use the mounting plate **as the template** for the rear wall. Place the mounting plate on the wall, making sure that the tabs are **touching the bottom of the cabinet or the level line drawn in Step C for cabinets with front overhang. Line up the notch and center line on the mounting plate to the center line on the wall.**
- 3 While holding the mounting plate with one hand, draw circles on the wall at holes A, B, C and D (see illustration above/actual plate marked with arrows). **Four holes must be used for mounting.**

**NOTE:** Holes C and D are inside area E. If neither C nor D is in a stud, find two studs somewhere in area E and draw two circles to line up with these studs. If there is only one stud in area E, determine whether C or D is further from the stud, and draw the fourth circle in this location. It is important to use **at least one wood screw** mounted **firmly in a stud** to support the weight of the oven.

**Set the mounting plate aside.**

**WARNING** Risk of electric shock. Can cause injury or death. Take care to not drill into electrical wiring inside walls or cabinets.

- 4 Drill holes on the circles. If there is a stud, drill a  $\frac{3}{16}$ " hole for wood screws. For holes that don't line up with a stud, drill a  $\frac{5}{8}$ " hole for toggle bolts.

**NOTE: DO NOT MOUNT THE PLATE AT THIS TIME.**

# Installation Instructions

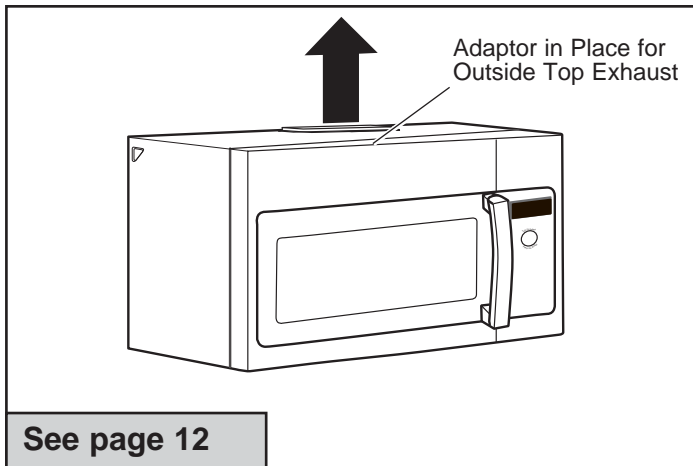
## 2 INSTALLATION TYPES (Choose A, B or C)

This oven is designed for adaptation to the following 3 types of ventilation:

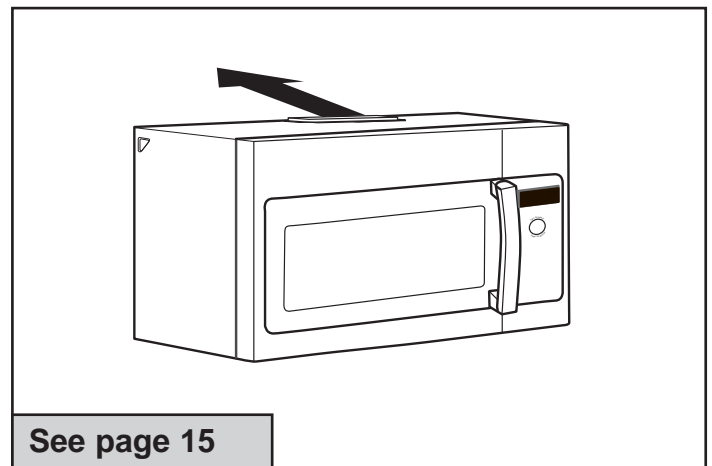
- A. Outside Top Exhaust (Vertical Duct)
- B. Outside Back Exhaust (Horizontal Duct)
- C. Recirculating (Non-Vented Ductless)

**NOTE:** This oven is shipped assembled for Outside Top Exhaust. Select the type of ventilation required for your installation and proceed to that section.

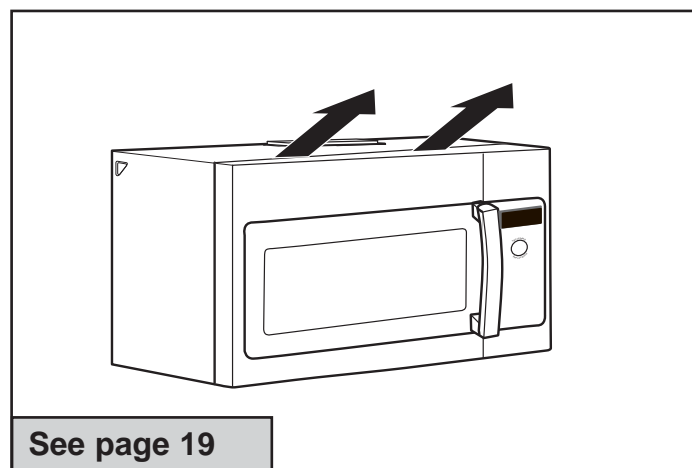
### A OUTSIDE TOP EXHAUST (VERTICAL DUCT)



### B OUTSIDE BACK EXHAUST (HORIZONTAL DUCT)



### C RECIRCULATING (NON-VENTED DUCTLESS)



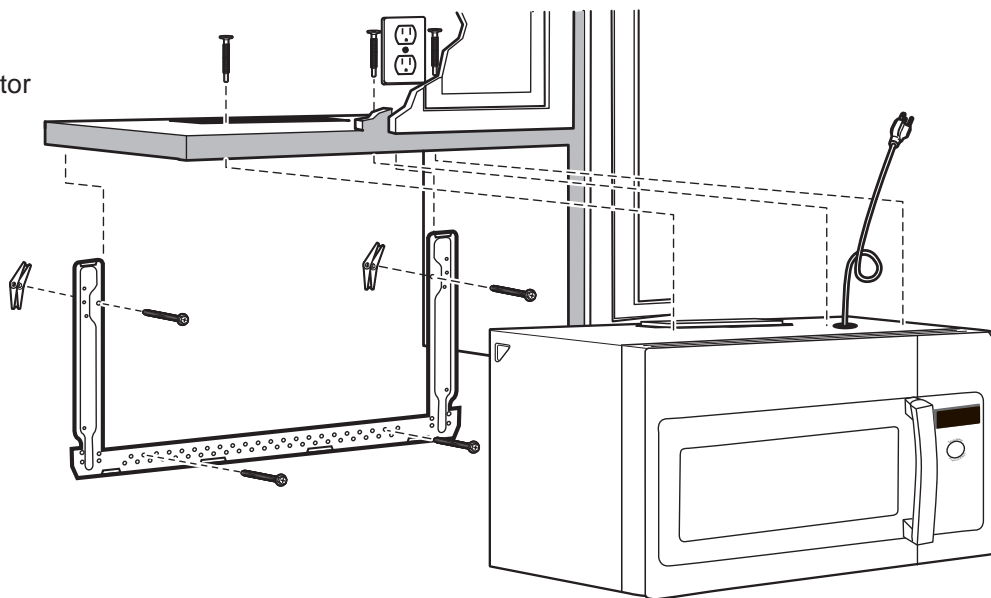
A Charcoal Filter Accessory Kit is required for the non-vented exhaust. (See your Owner's Manual for the kit number.)

# Installation Instructions

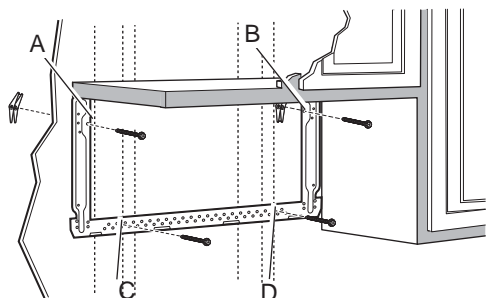
## A OUTSIDE TOP EXHAUST (Vertical Duct)

### INSTALLATION OVERVIEW

- A1. Attach Mounting Plate to Wall
- A2. Prepare Top Cabinet
- A3. Install Adaptor
- A4. Mount Oven
- A5. Adjust Exhaust Adaptor
- A6. Connect Ductwork



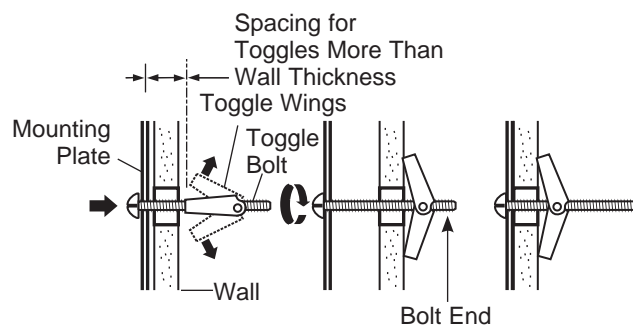
### A1 ATTACH THE MOUNTING PLATE TO THE WALL



Attach the plate to the wall using toggle bolts. At least one wood screw must be used to attach the plate to a wall stud. Recommended locations on the mounting plate are indicated by A, B, C and D.

- 1 Remove the toggle wings from the bolts.
- 2 Insert the bolts into the mounting plate through the holes designated to go into drywall and reattach the toggle wings to  $\frac{3}{4}$ " onto each bolt.

### To use toggle bolts:



- 3 Place the mounting plate against the wall and insert the toggle wings into the holes in the wall to mount the plate.

**NOTE:** Before tightening toggle bolts and wood screw, make sure the tabs on the mounting plate touch the bottom of the cabinet when pushed flush against the wall and that the plate is properly centered under the cabinet.

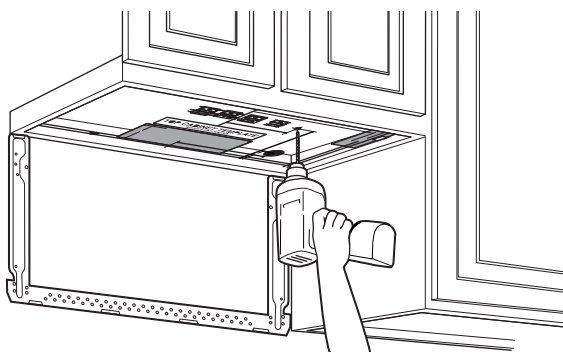
**CAUTION** Be careful to avoid pinching fingers between the back of the mounting plate and the wall.

- 4 Tighten all bolts. Pull the plate away from the wall to help tighten the bolts.

# Installation Instructions

## A2 USE TOP CABINET TEMPLATE FOR PREPARATION OF TOP CABINET

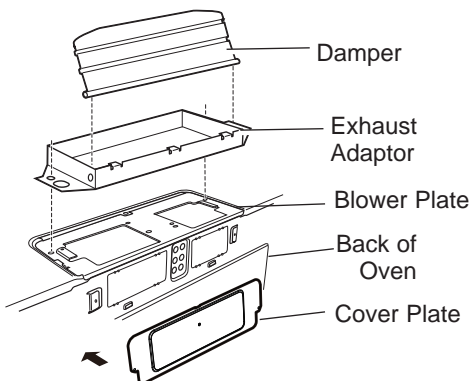
You need to drill holes for the top support screws, a hole large enough for the power cord to fit through, and a cutout large enough for the exhaust adaptor.



- Read the instructions on the TOP CABINET TEMPLATE.
- Tape it underneath the top cabinet.
- Drill the holes, following the instructions on the TOP CABINET TEMPLATE.

**CAUTION** Wear safety goggles when drilling holes in the cabinet bottom.

## A3 ASSEMBLE AND INSTALL ADAPTOR



- 1 Place the oven in its upright position, with the top of the unit facing up.
- 2 Insert the tabs on each side of the damper into the holes at the inside rear of the adaptor.
- 3 Attach the exhaust adaptor to the blower plate with the two bronze metal screws provided.

**Make sure that the damper pivots easily before mounting oven.**

You will need to make adjustments to assure proper alignment with your house exhaust duct after the oven is installed.

## A4 MOUNT THE OVEN



**CAUTION** To avoid the risk of personal injury (back injury or other injuries due to excessive weight of the microwave oven) or property damage, you will need two people to install this microwave oven.

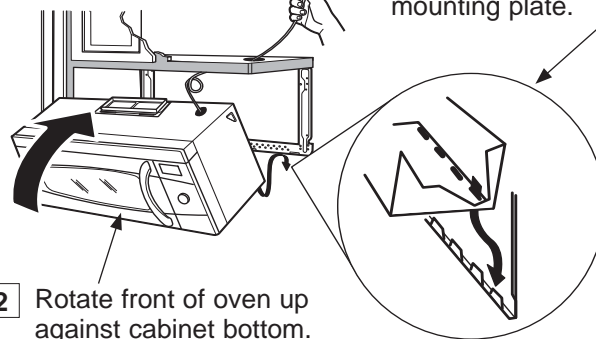
**IMPORTANT:** Do not grip or use handle during installation.

**WARNING** Risk of Electric Shock. Can cause injury or death: If installing unit with metal countertops, cover the edge of the power supply cord hole with the power supply cord bushing.

**IMPORTANT:** If filler blocks are not used, case damage may occur from overtightening screws.

**NOTE:** When mounting the microwave oven, thread power cord through hole in bottom of top cabinet. Keep it tight throughout Steps 1–3. Do not pinch cord or lift oven by pulling cord.

- 1 Lift microwave oven, tilt it forward, and hook slots at back bottom edge onto four lower tabs of mounting plate.



- 2 Rotate front of oven up against cabinet bottom.

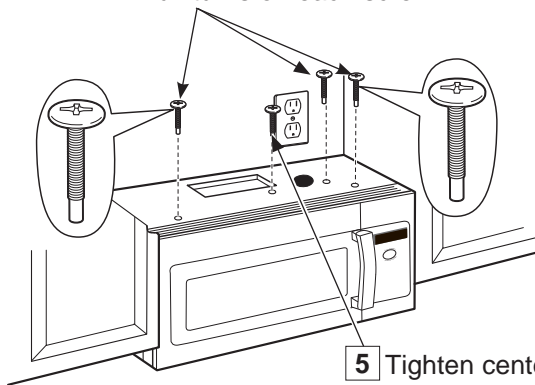
- 3 Insert a self-aligning screw through top-center cabinet hole. Temporarily secure the oven by turning the screw at least **two full turns** after the threads have engaged. (It will be completely tightened later.)

# Installation Instructions

## A4 MOUNT THE OVEN (continued)

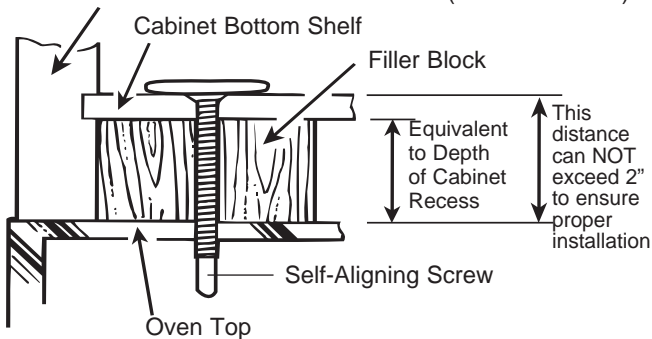
3 Attach the oven to the top cabinet.

4 Insert 3 self-aligning screws ( $\frac{1}{4}$ "-28 x  $2\frac{5}{8}$ ") through outer top cabinet holes. Turn two full turns on each screw.

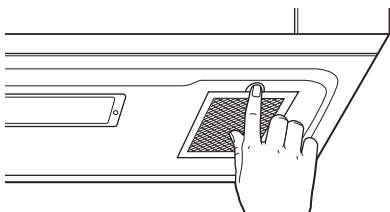


5 Tighten center screw completely. ( $\frac{1}{4}$ " - 28 x  $2\frac{5}{8}$ ")

Cabinet Front



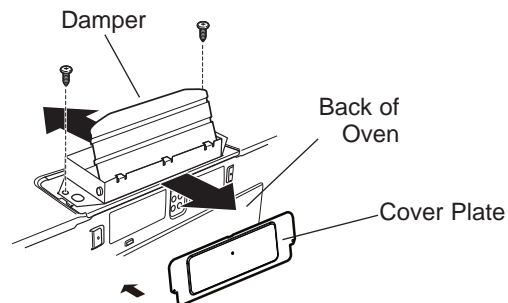
6 Tighten the outer two screws to the top of the oven. (While tightening screws, hold the oven in place against the wall and the top cabinet.)



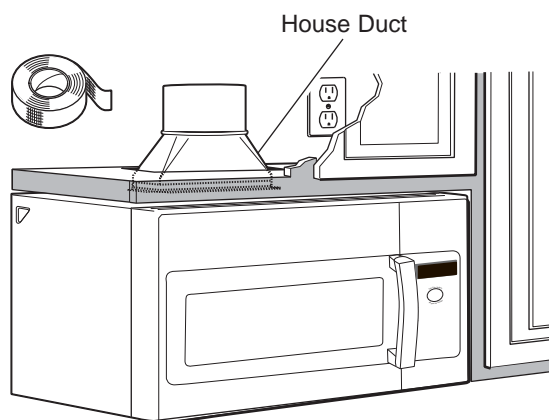
7 Install grease filters. See the Owner's Manual packed with the oven.

## A5 ADJUST THE EXHAUST ADAPTOR

Open the top cabinet and adjust the exhaust adaptor to connect to the house duct.



## A6 CONNECTING DUCTWORK



1 Extend the house duct down to connect to the exhaust adaptor.

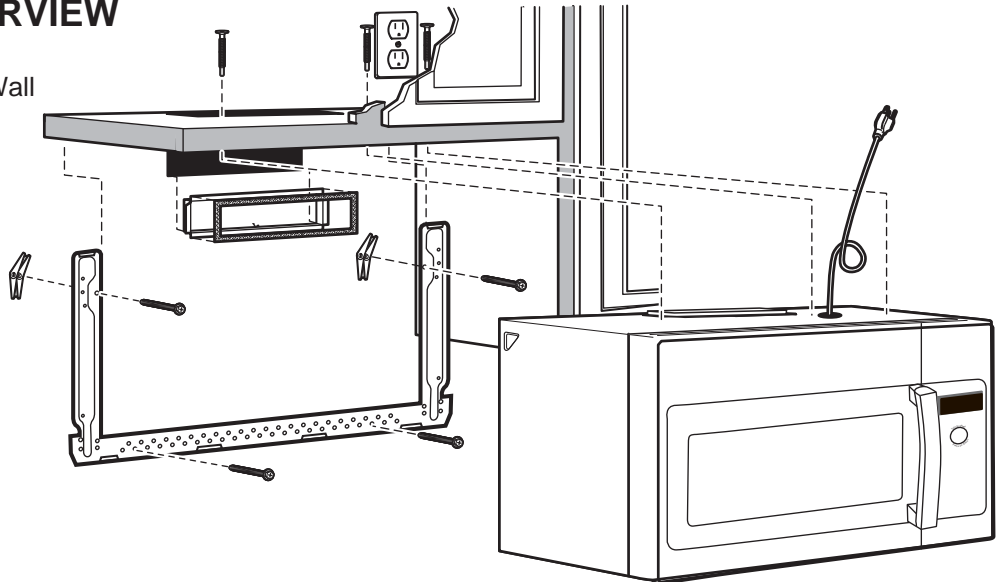
2 Seal exhaust duct joints using duct tape.

# Installation Instructions

## B OUTSIDE BACK EXHAUST (Horizontal Duct)

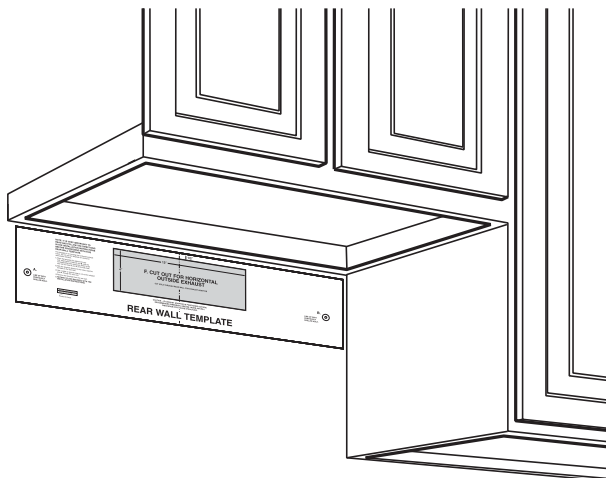
### INSTALLATION OVERVIEW

- B1. Prepare Rear Wall
- B2. Attach Mounting Plate to Wall
- B3. Prepare Top Cabinet
- B4. Adjust Blower
- B5. Mount the Oven



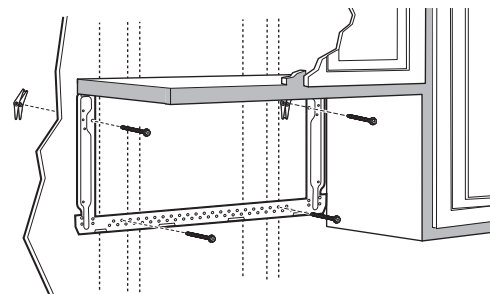
### B1 PREPARING THE REAR WALL FOR OUTSIDE BACK EXHAUST

You need to cut an opening in the rear wall for outside exhaust.



- Read the instructions on the REAR WALL TEMPLATE.
- Tape it to the rear wall, lining up with the holes previously drilled for holes A and B in the wall plate.
- Cut the opening, following the instructions of the REAR WALL TEMPLATE.

### B2 ATTACH THE MOUNTING PLATE TO THE WALL

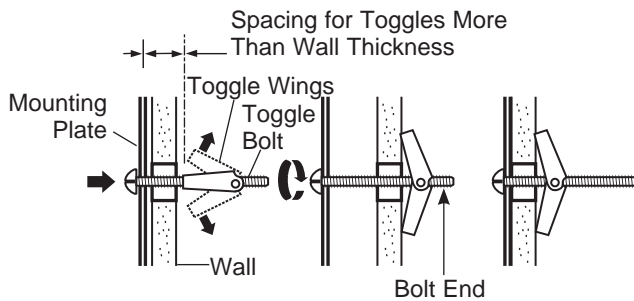


Attach the plate to the wall using toggle bolts. At least one wood screw must be used to attach the plate to a wall stud.

- 1 Remove the toggle wings from the bolts.
- 2 Insert the bolts into the mounting plate through the holes designated to go into drywall and reattach the toggle wings to  $\frac{3}{4}$ " onto each bolt.

# Installation Instructions

## To use toggle bolts:



- Place the mounting plate against the wall and insert the toggle wings into the holes in the wall to mount the plate.

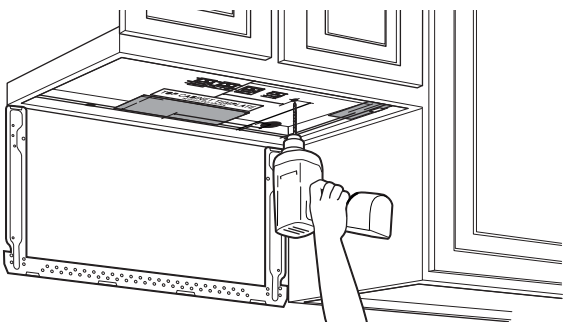
**NOTE:** Before tightening toggle bolts and wood screw, make sure the tabs on the mounting plate touch the bottom of the cabinet when pushed flush against the wall and that the plate is properly centered under the cabinet.

**CAUTION** Be careful to avoid pinching fingers between the back of the mounting plate and the wall.

- Tighten all bolts. Pull the plate away from the wall to help tighten the bolts.

## B3 USE TOP CABINET TEMPLATE FOR PREPARATION OF TOP CABINET

You need to drill holes for the top support screws and a hole large enough for the power cord to fit through.

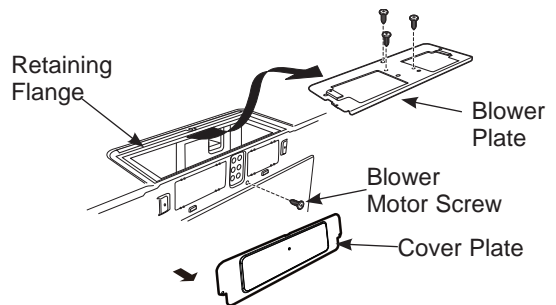


- Read the instructions on the TOP CABINET TEMPLATE.
- Tape it underneath the top cabinet.
- Drill the holes, following the instructions on the TOP CABINET TEMPLATE.

**CAUTION** Wear safety goggles when drilling holes in the cabinet bottom.

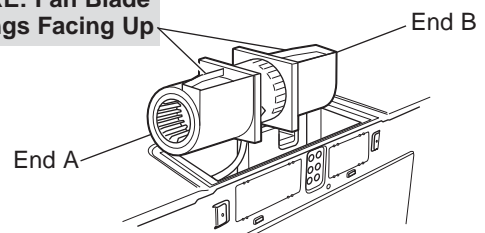
## B4 ADAPTING BLOWER FOR OUTSIDE BACK EXHAUST

- Remove the three screws that hold the blower plate to the oven. Slide blower plate from under its retaining flange. Remove and save the screw that holds blower motor to oven. Remove the cover plate installed on the back.

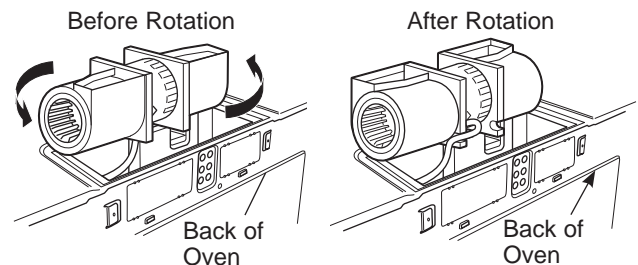


- Carefully pull out the blower unit. The wires will extend far enough to allow you to adjust the blower unit.

**BEFORE: Fan Blade Openings Facing Up**



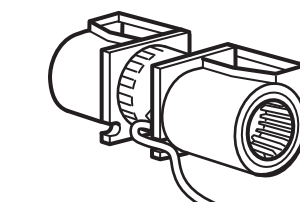
- Rotate blower unit counterclockwise 180°.



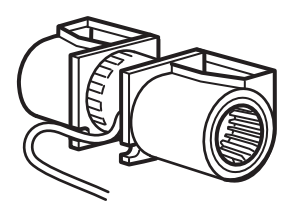
- Gently remove the wires from the grooves. Reroute the wires through grooves on other side of the blower unit.

Before Rerouting

After Rerouting



Wires Routed Through Right Side

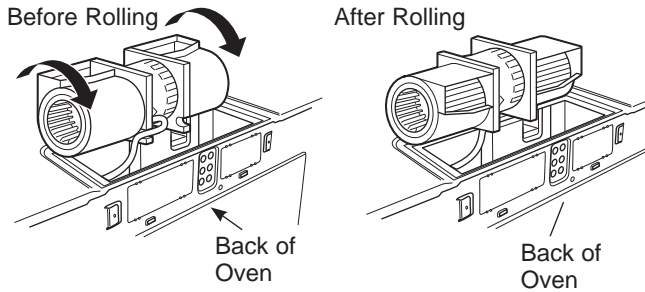


Wires Routed Through Left Side



# Installation Instructions

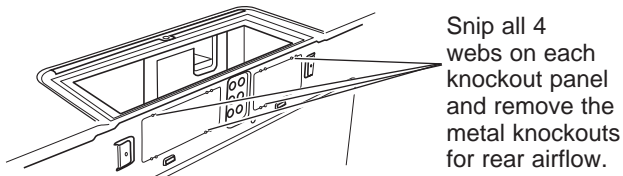
- 5** Roll the blower unit 90° so that fan blade openings are facing out the back of the oven.



- 6** Locate the two “knockout” plates, on the rear oven panel, near the top of the oven. Using tin snips, carefully cut the web area from the two holes side-by-side (that secure the knockouts to the oven). Cut all four webs on both rear knockouts; this will allow the ventilation fan airflow to exhaust out the rear of the oven.

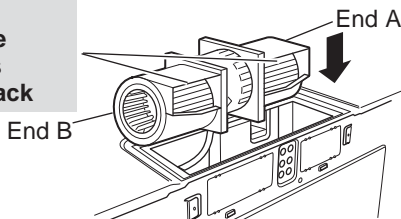
**CAUTION** Be sure to trim the sharp edges from the openings after removing the knockout plates.

Oven Rear Panel



- 7** Place the blower unit back into the opening.

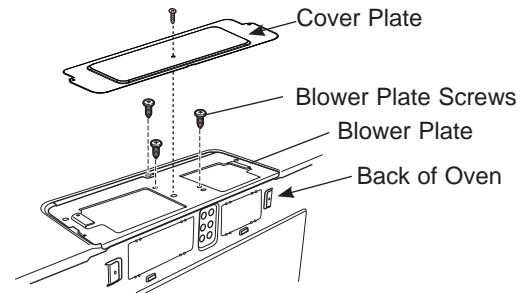
**AFTER:**  
Fan Blade  
Openings  
Facing Back



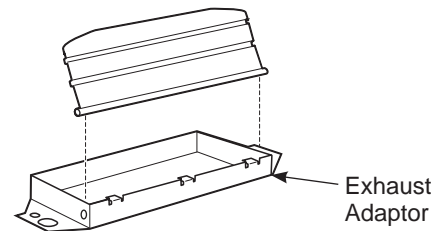
**WARNING** Risk of electric shock can cause injury or death. Do not pull or stretch the blower unit wiring. make sure the wires are not pinched..

**NOTE:** The blower unit exhaust openings should match exhaust openings on rear of microwave oven.

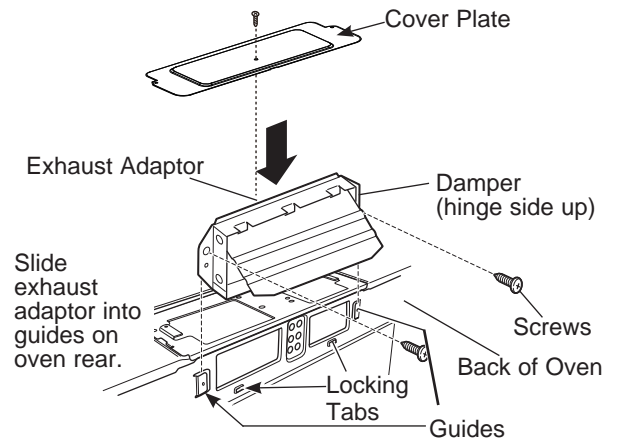
- 8** Replace the blower plate in the same position as before with the screws. Attach the cover on the blower plate (include one screw).



- 9** Insert the tabs on each side of the damper into the holes at the inside rear of the adaptor.



- 10** Attach the exhaust adaptor to the rear of the oven by sliding it into the guides at the top center of the back of the oven.



Push in securely until it is in the lower locking tabs. Take care to assure the damper hinge is installed so that it is at the top and that the damper swings freely.

- 11** Secure the exhaust adaptor to the oven with the two bronze metal screws provided.

# Installation Instructions

## B5 MOUNT THE OVEN



**CAUTION** To avoid the risk of personal injury (back injury or other injuries due to excessive weight of the microwave oven) or property damage, you will need two people to install this microwave oven.

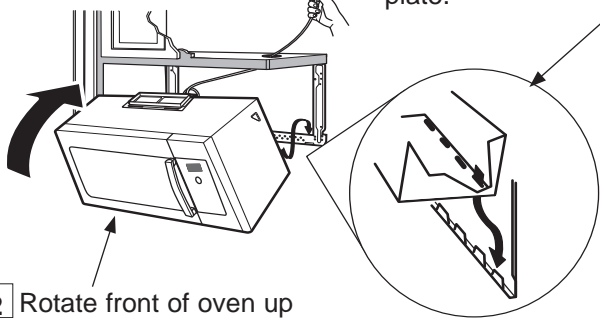
**IMPORTANT:** Do not grip or use handle during installation.

**WARNING** Risk of Electric Shock. Can cause injury or death: If installing unit with metal countertops, cover the edge of the power supply cord hole with the power supply cord bushing.

**IMPORTANT:** If filler blocks are not used, case damage may occur from overtightening screws.

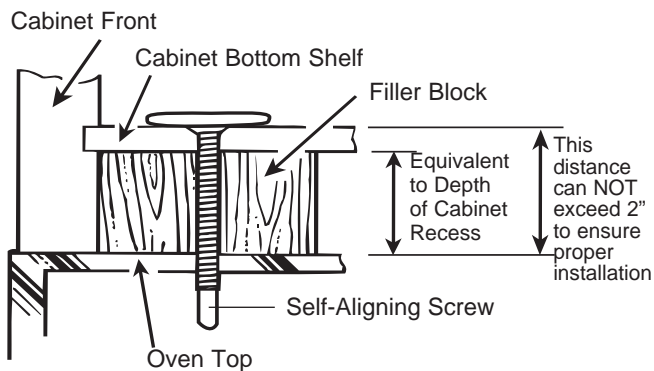
**NOTE:** When mounting the microwave oven, thread power cord through hole in bottom of top cabinet. Keep it tight throughout Steps 1–3. Do not pinch cord or lift oven by pulling cord.

**1** Lift microwave oven, tilt it forward, and hook slots at back bottom edge onto four lower tabs of mounting plate.



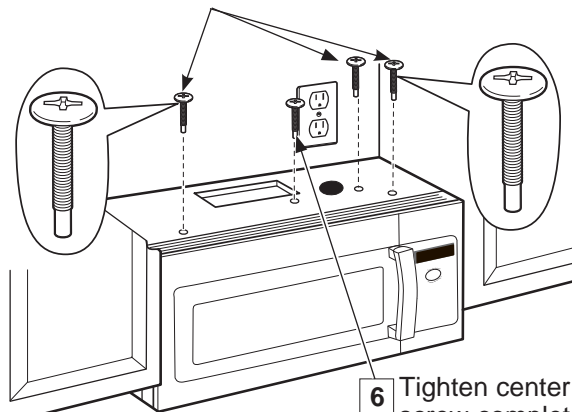
**2** Rotate front of oven up against cabinet bottom.

**3** Insert a self-aligning screw through top-center cabinet hole. Temporarily secure the oven by turning the screw at least **two full turns** after the threads have engaged. (It will be completely tightened later.)



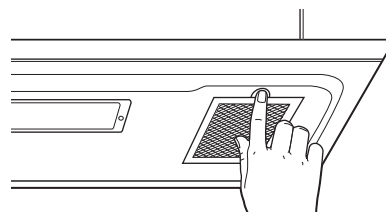
**4** Attach the oven to the top cabinet.

**5** Insert 3 self-aligning screws ( $\frac{1}{4}$ "-28 x  $2\frac{5}{8}$ "") through outer top cabinet holes. Turn two full turns on each screw.



**6** Tighten center screw completely ( $\frac{1}{4}$ " x 28 x  $2\frac{5}{8}$ "")

**7** Tighten the outer two screws to the top of the oven. (While tightening screws, hold the oven in place against the wall and the top cabinet.)



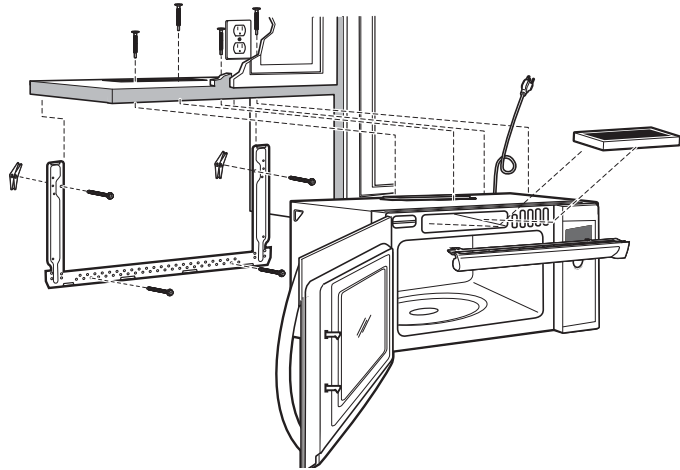
**8** Install grease filters. See the Owner's Manual packed with the oven.

# Installation Instructions

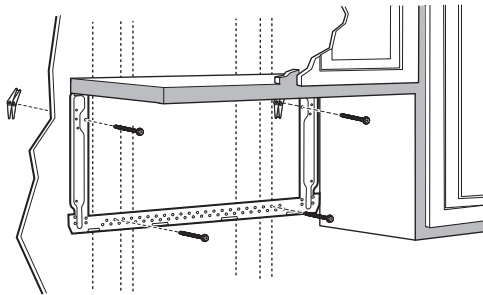
## C RECIRCULATING (Non-Vented Ductless)

### INSTALLATION OVERVIEW

- C1. Attach Mounting Plate to Wall
- C2. Prepare Top Cabinet
- C3. Adjust Blower
- C4. Mount the Oven
- C5. Install Charcoal Filter (not supplied)



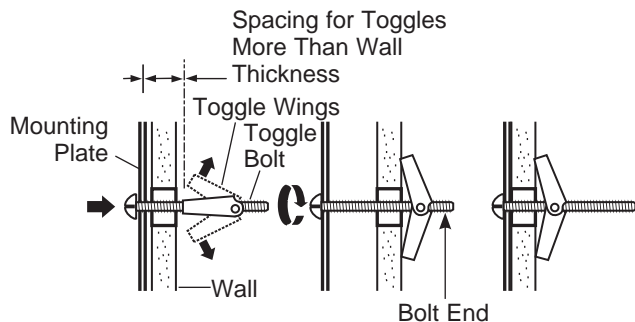
### C1 ATTACH THE MOUNTING PLATE TO THE WALL



Attach the plate to the wall using toggle bolts. At least one wood screw must be used to attach the plate to a wall stud.

- 1 Remove the toggle wings from the bolts.
- 2 Insert the bolts into the mounting plate through the holes designated to go into drywall and reattach the toggle wings to  $\frac{3}{4}$ " onto each bolt.

#### To use toggle bolts:



- 3 Place the mounting plate against the wall and insert the toggle wings into the holes in the wall to mount the plate.

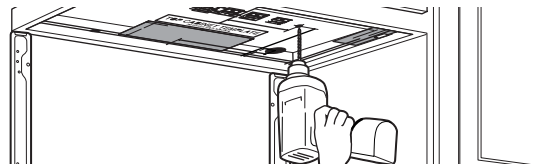
**NOTE:** Before tightening toggle bolts and wood screw, make sure the tabs on the mounting plate touch the bottom of the cabinet when pushed flush against the wall and that the plate is properly centered under the cabinet.

**CAUTION** Be careful to avoid pinching fingers between the back of the mounting plate and the wall.

- 4 Tighten all bolts. Pull the plate away from the wall to help tighten the bolts.

### C2 USE TOP CABINET TEMPLATE FOR PREPARATION OF TOP CABINET

You need to drill holes for the top support screws and a hole large enough for the power cord to fit through.



- Read the instructions on the TOP CABINET TEMPLATE.
- Tape it underneath the top cabinet.
- Drill the holes, following the instructions on the TOP CABINET TEMPLATE.

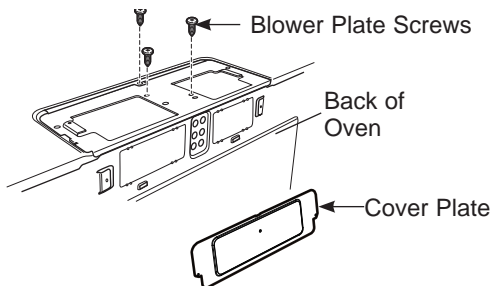
**CAUTION** Wear safety goggles when drilling holes in the cabinet bottom.

# Installation Instructions

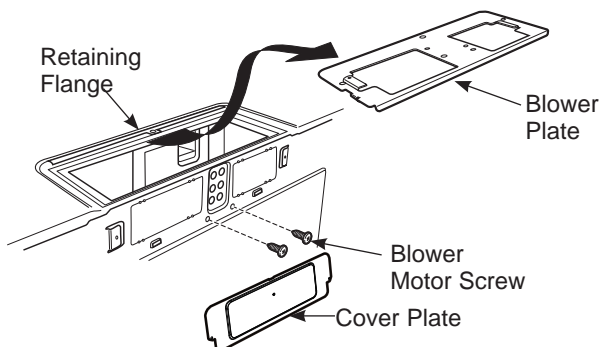
## C3 ADAPTING BLOWER FOR RECIRCULATION

**NOTE:** The exhaust adaptor with damper is not needed for recirculating models. You may want to save them for possible future use.

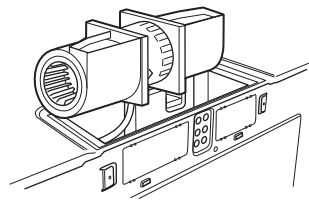
- 1 Remove and save screws that hold blower plate to the oven.



- 2 Slide the blower plate from under its retaining flange and lift it off. Remove and save screw that holds the blower motor to oven. Remove the cover plate installed on the back.

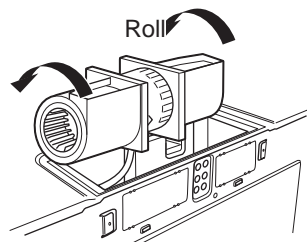
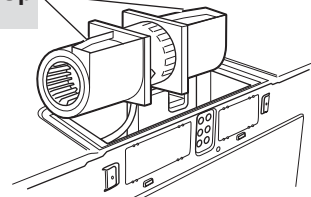


- 3 Carefully pull out the blower unit. The wires will extend far enough to allow you to adjust the blower unit.

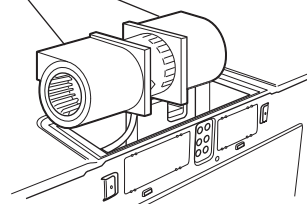


- 4 Roll the blower unit 90° so that fan blade openings are facing toward the front of the oven.

**BEFORE: Fan Blade Openings Facing Up**



**AFTER: Fan Blade Openings Facing Forward**



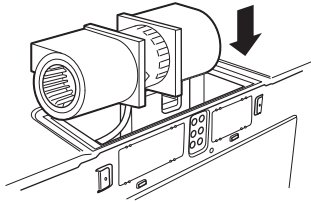
**NOTE:** Make sure wires remain routed in the grooves of the motor frame.

# Installation Instructions

## C3 ADAPTING BLOWER FOR RECIRCULATION (continued)

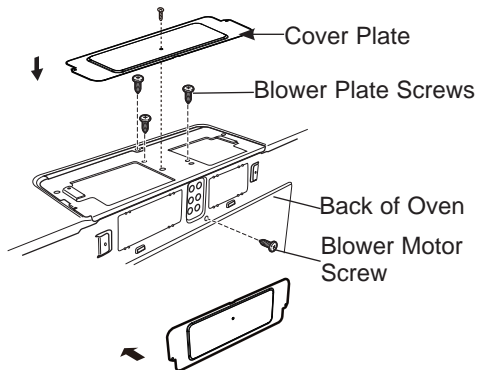
- 5 Place the blower unit back into the opening.

**⚠ WARNING** Risk of electric shock can cause injury or death. Do not pull or stretch the blower unit wiring. Make sure the wires are not pinched.

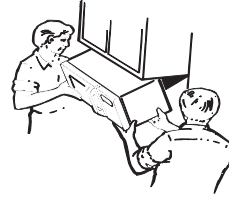


- 6 Secure blower unit to oven with the 2 screws removed in Step 2. Insert the screw in **bottom right** screw hole on the back of the oven.

- 7 Reattach the cover plate on the back. Replace blower plate with the screws removed in Step 1. Attach the cover on the blower plate (include one screw).



## C4 MOUNT THE OVEN



**⚠ CAUTION** To avoid the risk of personal injury (back injury or other injuries due to excessive weight of the microwave oven) or property damage, you will need two people to install this microwave oven.

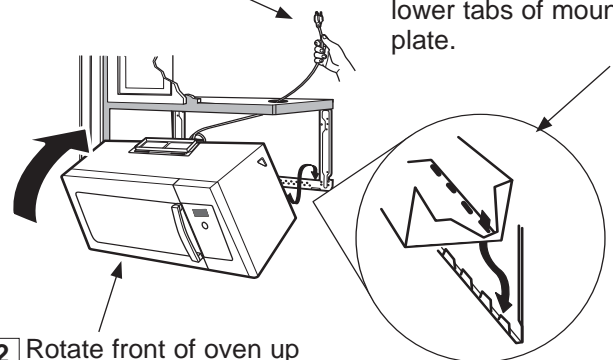
**IMPORTANT:** Do not grip or use handle during installation.

**⚠ WARNING** Risk of Electric Shock. Can cause injury or death: If installing unit with metal countertops, cover the edge of the power supply cord hole with the power supply cord bushing.

**IMPORTANT:** If filler blocks are not used, case damage may occur from overtightening screws.

**NOTE:** When mounting the microwave oven, thread power cord through hole in bottom of top cabinet. Keep it tight throughout Steps 1–3. Do not pinch cord or lift oven by pulling cord.

- 1 Lift microwave oven, tilt it forward, and hook slots at back bottom edge onto four lower tabs of mounting plate.

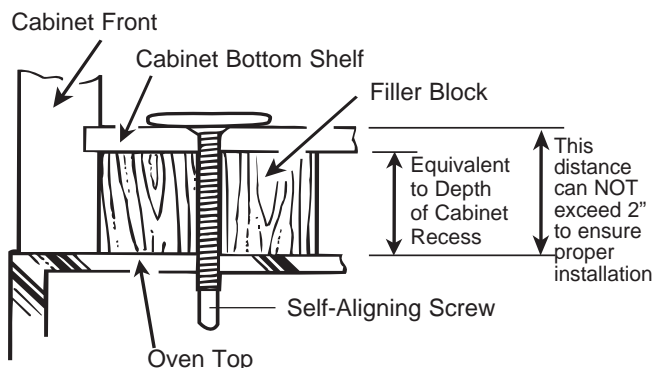


- 2 Rotate front of oven up against cabinet bottom.

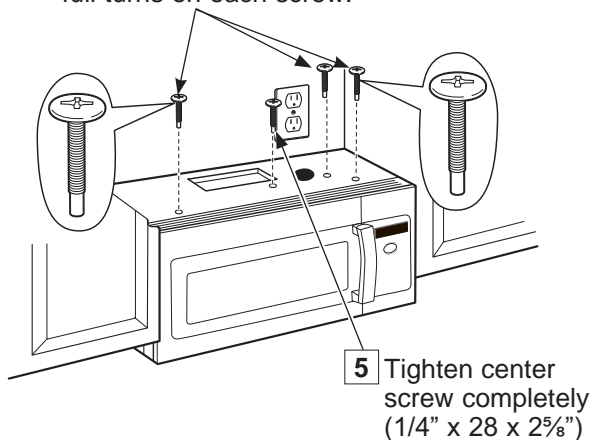
# Installation Instructions

## C4 MOUNT THE OVEN (continued)

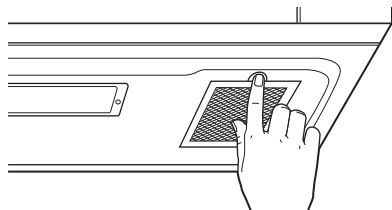
- 3 Insert a self-aligning screw through top-center cabinet hole. Temporarily secure the oven by turning the screw at least **two full turns** after the threads have engaged. (It will be completely tightened later.)



- 4 Insert 3 self-aligning screws ( $\frac{1}{4}$ "-28 x  $2\frac{5}{8}$ "") through outer top cabinet holes. Turn two full turns on each screw.



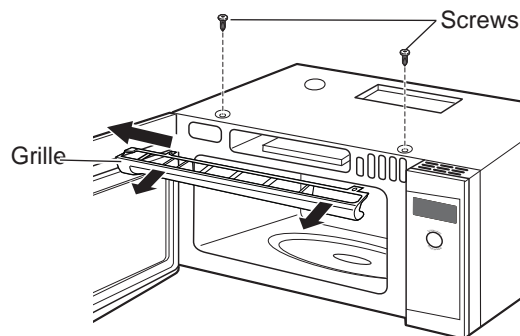
- 6 Tighten the outer two screws to the top of the oven. (While tightening screws, hold the oven in place against the wall and the top cabinet.)



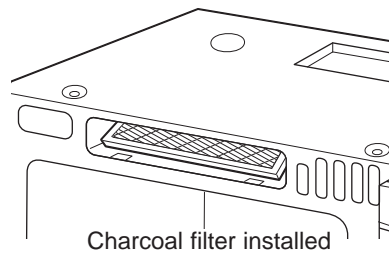
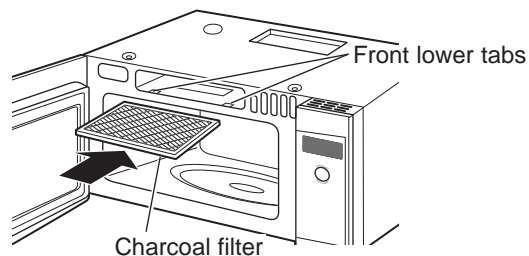
- 7 Install grease filters. See the Owner's Manual packed with the oven.

## C5 INSTALLING THE CHARCOAL FILTER

- 1 Remove 2 screws on top of oven, just above the grille panel, using a Phillips screwdriver.
- 2 Open the door.
- 3 Remove the grille. Slide the grille to the left then pull out.



- 4 Insert the filter into the oven as shown until it fits squarely into place. It will rest at an angle behind the front lower tabs. When properly installed, the wire mesh of the filter should be visible from the front.



- 5 Replace the grille and the 2 top screws.
- 6 Close the door and replace left side screw.

# Installation Instructions

## BEFORE YOU USE YOUR OVEN

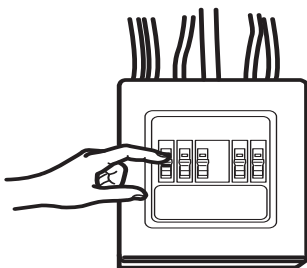
- 1** Make sure the oven has been installed according to instructions.



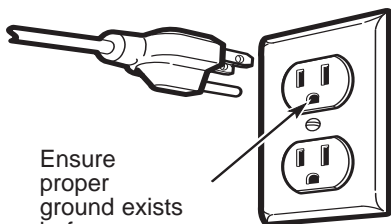
- 2** Remove all packing material from the oven.

- 3** Install turntable and wheeled ring in cavity.

- 4** Replace house fuse or turn breaker back on.



- 5** **120 V Models:** Plug power cord into a dedicated 15- to 20-amp electrical outlet.



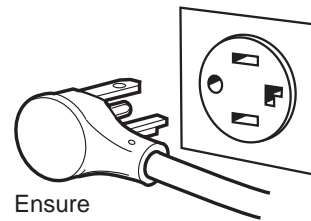
Ensure proper ground exists before use.

Where a standard two-prong wall receptacle is encountered, it is very important to have it replaced with a properly grounded three-prong wall receptacle, installed by a qualified electrician.

- 5** **(continued)**

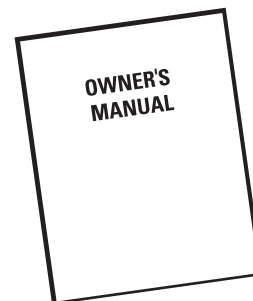
**240 V Models:** The wall outlet receptacle recommended for this appliance is NEMA #14-30R and accepts the four-prong grounded plug of this appliance.

NEMA 14-30R  
Wall Receptacle



Ensure proper ground exists before use.

- 6** Read the Owner's Manual.



- 7** KEEP INSTALLATION INSTRUCTIONS FOR THE LOCAL INSPECTOR'S USE.







# Instrucciones de instalación

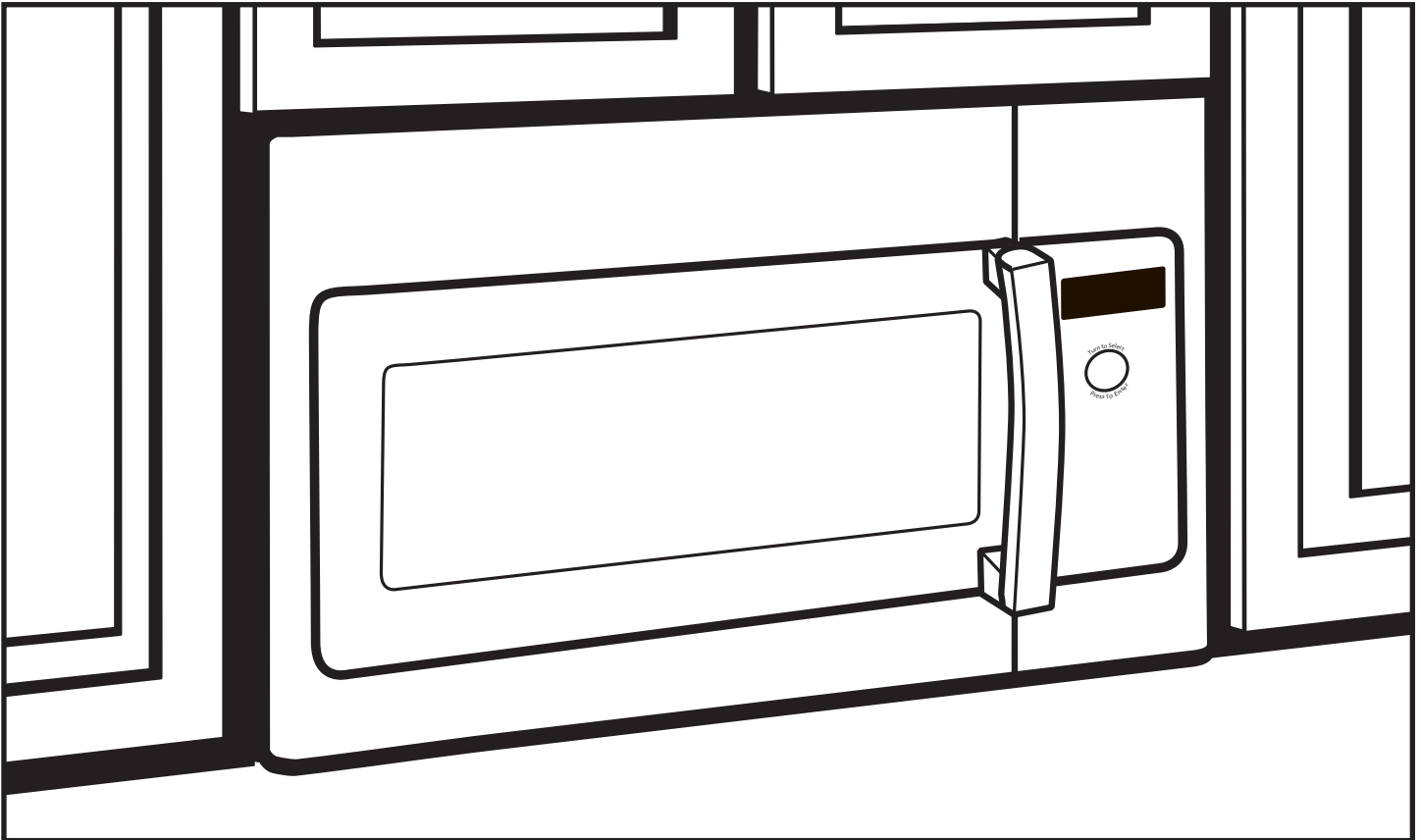
# Horno para colocar encima de la estufa

PSA9120, PSA9240, ZSA1202

## ANTES DE EMPEZAR

Lea estas instrucciones completa y cuidadosamente.

- **IMPORTANTE** — Guarde estas instrucciones para el uso del inspector local.
- **IMPORTANTE** — Cumpla con todos los códigos y ordenanzas gubernamentales.
- **Nota para el instalador** — Asegúrese de dejar estas instrucciones con el consumidor.
- **Nota para el consumidor** — Guarde estas instrucciones para futura referencia.
- **Nivel de destrezas** — La instalación de este aparato requiere de destrezas básicas de mecánica y electricidad.
- La instalación apropiada es responsabilidad del instalador.
- La falla del producto debido a una instalación inapropiada no está cubierta por la garantía.



**LEA CUIDADOSAMENTE.  
GUARDE ESTAS INSTRUCCIONES.**

# Instrucciones de instalación

## CONTENIDO

### Información general

Instrucciones de seguridad importantes .....	27
Requisitos eléctricos .....	27
Campana de escape .....	28, 29
Daños – Envío / Instalación.....	30
Partes incluidas .....	30
Herramientas que necesitará .....	31
Espacio de montaje.....	31

### Guía de instalación paso por paso

#### Cómo colocar el plato de montaje..... 32–34

Cómo remover el plato de montaje .....	32
Cómo encontrar madera sólida en la pared .....	32
Cómo determinar la localización de las placas de la pared .....	33
Cómo alinear la placa de la pared .....	34

#### Tipos de instalación..... 35–46

##### **A** Escape superior exterior ..... 36–38 |

Cómo adherir la placa de montaje a la pared.....	36
Preparación del gabinete superior.....	37
Ensamblaje e instalación del adaptador .....	37
Cómo montar el horno.....	37, 38
Cómo ajustar el adaptador de escape	38
Cómo conectar el conducto.....	38

##### **B** Escape posterior externo ..... 39–42 |

Cómo preparar la pared posterior para el escape posterior exterior.....	39
Cómo adherir el plato de montaje a la pared.....	39, 40
Preparación del gabinete superior.....	40
Cómo adaptar el calefactor para el escape posterior exterior .....	40, 41
Cómo montar el horno.....	42

##### **C** Recirculación ..... 43–46 |

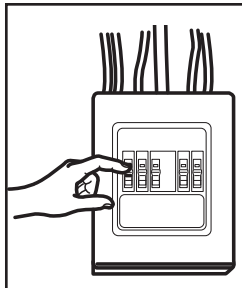
Cómo adherir la placa de montaje a la pared.....	43
Preparación del gabinete superior.....	43
Cómo adaptar el calefactor para la recirculación.....	44, 45
Cómo montar el horno.....	45, 46
Cómo instalar el filtro de carbonilla ...	46

#### Antes de comenzar a usar su horno ..... 47 |

# Instrucciones de instalación

## INSTRUCCIONES DE SEGURIDAD IMPORTANTES

Este producto requiere un tomacorriente eléctrico de tres patas conectado a tierra. El instalador debe llevar a cabo una inspección de continuidad a tierra en la caja eléctrica antes de comenzar la instalación para asegurar que la caja tomacorriente está conectada a tierra de manera apropiada. Si no lo está, o si el tomacorriente no cumple con los requisitos eléctricos indicados (bajo la sección REQUISITOS ELÉCTRICOS), se deberá recurrir a un técnico calificado para corregir cualquier deficiencia.



### ⚠ PRECAUCIÓN

Para seguridad personal, remueva el fusible de la casa o abra el interruptor de circuito antes de comenzar la instalación para evitar descargas eléctricas severas o fatales.

### ⚠ ADVERTENCIA

**Riesgo de Descarga Eléctrica. Puede ocasionar lesiones o la muerte: ESTE ELECTRODOMÉSTICO SE DEBE CONECTAR A TIERRA DE FORMA CORRECTA a fin de evitar descargas severas o mortales.**

### Modelos de 120 V



Asegúrese de contar con una conexión a tierra adecuada antes de usar.

El cable de corriente de este electrodoméstico contiene un enchufe de 3 patas (conexión a tierra) que se conecta a un tomacorriente de pared estándar de 3 cables (conexión a tierra) para minimizar la posibilidad de riesgos de descargas eléctricas por parte del mismo.

**Modelos de 240 V**  
The wall outlet receptacle recommended for this application is NEMA #14-30R and accepts the four-prong grounded plug of this appliance.

Tomacorriente de pared NEMA 14-30R



Asegúrese de que existe una conexión a tierra apropiada

Cuando se encuentre un tomacorriente de pared de dos enchufes, se deberá reemplazar por uno conectado a tierra de forma adecuada de tres cables, y deberá ser instalado por un electricista calificado.

### ⚠ ADVERTENCIA

**Riesgo de Descarga Eléctrica. Puede ocasionar lesiones o la muerte: NUNCA, bajo ninguna circunstancia, corte, deforme o elimine ninguna de las puntas de los cables de corriente. No use un prolongador. Si no se cumple con esto, se podrán producir incendios..**

### ⚠ PRECAUCIÓN

Por razones de seguridad, la superficie de montaje deberá poder soportar la carga del gabinete, sumado al peso agregado de este producto de entre 63 y 85 libras, además de cargas adicionales en el horno de hasta 50 libras o un peso total de entre 113 y 135 libras.

### ⚠ PRECAUCIÓN

Por razones de seguridad, este producto no se puede instalar en arreglos de gabinete tales como una isla o península. Se debe montar TANTO a un gabinete superior COMO a una pared.

### ⚠ PRECAUCIÓN

A fin de evitar el riesgo de lesión personal (lesión en la espalda u otras lesiones debido a peso excesivo del horno de microondas) o daños sobre el producto, deberá contar con la ayuda de dos personas para instalar este horno de microondas..

## REQUISITOS ELÉCTRICOS

### Modelos de 120 V

La clasificación del producto es de 120 vatios CA (AC), 60 hertz, 15 amperios, y 1.70 kilovatios. Este producto debe estar conectado a un circuito de suministro del voltaje y frecuencia apropiados. El tamaño del alambre debe conformarse a los requisitos del National Electric Code o al código local en efecto para este índice de kilovatios. El cable eléctrico de alimentación y el interruptor deberán llevarse a un tomacorriente único conectado a tierra de 15 a 20 amperios. La caja del tomacorriente deberá estar localizada en el gabinete encima del horno. La caja del tomacorriente debe ser instalada por un electricista calificado y debe conformarse al National Electrical Code o al código local en efecto.

### Modelos de 240 V

La clasificación del producto es de 240/208 voltios CA, 60 hertz, 30 amperios y 6.5 kilovatios. Este producto debe conectarse a un circuito derivado individual con adecuada conexión a tierra, protegido por interruptores de circuito y fusibles con retraso. El tamaño del cable debe cumplir con los requisitos del Código Eléctrico Nacional o con el código local vigente para esta clasificación de kilovatios. La caja de distribución debe estar ubicada en el gabinete sobre el horno. Un electricista calificado debe instalar la caja de distribución y el circuito de suministro y éstos deben cumplir con el Código Eléctrico Nacional o con el código local vigente.

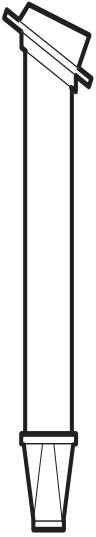
# Instrucciones de instalación

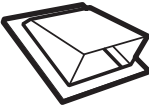


## CAMPANA DE ESCAPE

NOTA: Lea las siguientes dos páginas solamente si planea ventilar el escape hacia el exterior. Si por el contrario planea recircular el aire de vuelta hacia el salón, continúe en la página 30.

### ESCAPE SUPERIOR EXTERNO (EJEMPLO SOLAMENTE)

La siguiente tabla describe un ejemplo de una posible instalación de red de conductos.

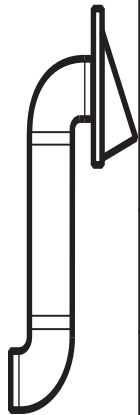


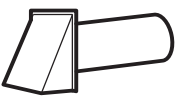


PARTES DEL CONDUCTO		LONGITUD EQUIVALENTE	x	NÚMERO USADO	=	LONGITUD EQUIVALENTE
	Tapa del techo	24 pies	x	(1)	=	24 pies
	Conducto recto de 12 pies (redondo de 6")	12 pies	x	(1)	=	12 pies
	Adaptador de transición de rectángulo a redondo*	5 pies	x	(1)	=	5 pies
La longitud de las partes de los conductos equivalentes está basada en pruebas reales y reflejan los requisitos para lograr una buena ventilación con cualquier campana de escape. <b>Longitud total =</b>						<b>41 pies</b>

**\*IMPORTANTE:** Si se usa un adaptador de transición de rectángulo a redondo, las esquinas del fondo del regulador de tiros deberán cortarse para que encajen, usando las tijeras de corte, para permitir el movimiento libre del regulador de tiros.

### ESCAPE POSTERIOR EXTERNO (EJEMPLO SOLAMENTE)

La siguiente tabla describe un ejemplo de una posible instalación de red de conductos.



PARTES DEL CONDUCTO		LONGITUD EQUIVALENTE	x	NÚMERO USADO	=	LONGITUD EQUIVALENTE
	Tapa de pared	40 pies	x	(1)	=	40 pies
	Conducto recto de 3 pies (rectangular de 3¼" x 10")	3 pies	x	(1)	=	3 pies
	Codo de 90°	10 pies	x	(2)	=	20 pies
La longitud de las partes de los conductos equivalentes está basada en pruebas reales y reflejan los requisitos para lograr una buena ventilación con cualquier campana de escape. <b>Longitud total =</b>						<b>63 pies</b>

NOTA: Para el escape posterior, se debe tener cuidado al alinear el escape entre los espacios de los postes de viga de la pared, o la pared debería ser preparada en el momento de su construcción dejando suficiente espacio entre los postes de viga de la pared para acomodar el escape.

# Instrucciones de instalación

**NOTA:** Si usted necesita instalar conductos, tenga pendiente que la longitud total del conducto rectangular de 3¼" x 10" o el conducto redondo de 6" de diámetro **no debe sobrepasar 140 pies equivalentes**.

La ventilación externa requiere un CONDUCTO DE CAMPANA DE ESCAPE. Lea lo siguiente cuidadosamente.

**NOTA:** Es importante que la ventilación sea instalada usando la ruta más directa y con la menor cantidad de codos posible. Esto asegura la ventilación del escape y ayuda a prevenir bloqueos. También, cerciórese de que el regulador de tiro pende libremente y nada bloquea los conductos.

## Conexiones de escape:


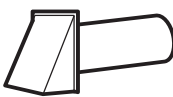


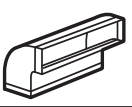
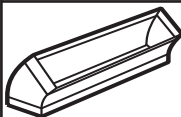
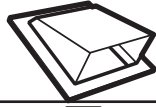

La campana de escape ha sido diseñada para encajar con un conducto rectangular de 3¼" x 10" estándar.

Si un conducto redondo es necesario, se debe usar un adaptador de transición de rectangular a redondo. **No use un conducto menor de 6" de diámetro.**

## Longitud máxima del conducto:

Para lograr un movimiento satisfactorio del aire, la longitud total del conducto rectangular de 3¼" x 10" o el conducto redondo de 6" de diámetro **no debe sobrepasar 140 pies equivalentes**.

**Los codos, transiciones, paredes y tapas de techo, etc.,** presentan resistencia adicional al flujo de aire y son equivalentes a una sección de conducto recto el cual es más largo que su tamaño físico real. Cuando calcule la longitud total del conducto, agregue las longitudes equivalentes de todas las transiciones y adaptadores, más la longitud de todas las secciones de conducto rectas. La tabla más adelante muestra cómo puede calcular la longitud aproximada de la red de conductos usando pies aproximados de longitudes equivalentes de algunos conductos típicos.

PARTES DE CONDUCTO		LONGITUD EQUIVALENTE	x	NÚMERO USADO	=	LONGITUD EQUIVALENTE
	Adaptador de transición de rectángulo a redondo*	5 pies	x	( )	=	pies
	Tapa de pared	40 pies	x	( )	=	pies
	Codo de 90°	10 pies	x	( )	=	pies
	Codo de 45°	5 pies	x	( )	=	pies
	Codo de 90°	25 pies	x	( )	=	pies
	Codo de 45°	5 pies	x	( )	=	pies
	Tapa de techo	24 pies	x	( )	=	pies
	Conducto recto de 6" redondo o rectangular de 3¼" x 10"	1 pies	x	( )	=	pies



**\* IMPORTANTE:** Si se usa un adaptador de transición de rectángulo a redondo, las esquinas del fondo del regulador de tiros deberán ser cortadas para que encajen, usando las tijeras de corte, para permitir el movimiento libre del regulador de tiros.


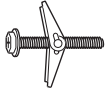


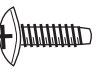
La longitud de las partes de conductos equivalentes está basada en pruebas reales y reflejan los requisitos para lograr una buena ventilación con cualquier campana de escape.

# Instrucciones de instalación

## DAÑOS – ENVÍO / INSTALACIÓN

- Si la unidad se daña durante el envío, devuelva la unidad al almacén donde la adquirió para su reparación o reemplazo.
- Si el cliente daña la unidad, la reparación o el reemplazo es responsabilidad del cliente.
- Si el instalador daña la unidad (si no es el cliente), la reparación o reemplazo se debe hacer por medio de un arreglo entre el cliente y el instalador.

## PARTES INCLUIDAS PAQUETE DE ELEMENTOS

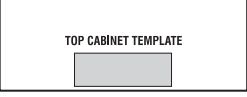
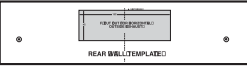
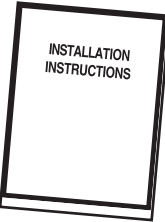
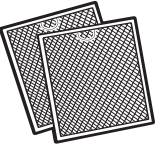
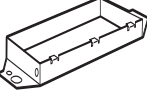

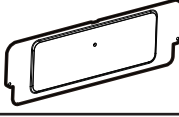
PARTE		CANTIDAD
	Tornillos de madera (1/4" x 2")	2
	Tornillos basculantes (y tuercas de mariposa) (1/4" x 3")	3
	Tornillos de máquina autoalineables (1/4"-28 x 2 5/8")	PVM9179: 3 PSA9120: 4 PSA9240: 4
	Arandela aislante de nilón (para gabinetes metálicos)	2
	Tornillos para metal (1/8" x 1/2")	1 negro 3 de bronce

Usted encontrará los elementos de instalación en un paquete junto con la unidad. Inspeccione para cerciorarse de que tiene todas las partes.

**NOTA:** Se incluyen algunas partes adicionales.

## PARTS INCLUDED

### ADDITIONAL PARTS

PARTE		CANTIDAD
	Plantilla para el gabinete superior	1
	Plantilla para la pared posterior	1
	Instrucciones de instalación	1
	Filtros de grasa empacados por separado	2
	Adaptador del escape	1
	Regulador de trio	1
	Placa de cubierta	1

# Instrucciones de instalación

## HERRAMIENTAS QUE NECESITARÁ



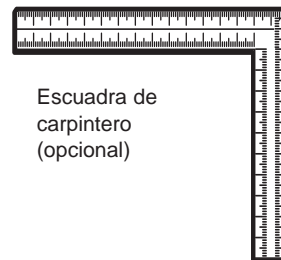
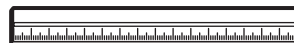
Destornilladores de estrella # 1 y # 2



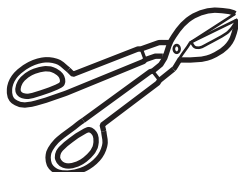
Lápiz



Regla recta y cinta métrica



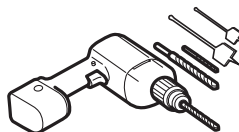
Escuadra de carpintero (opcional)



Tijeras para cortar latón (para cortar el regulador de tiro, si es necesario)



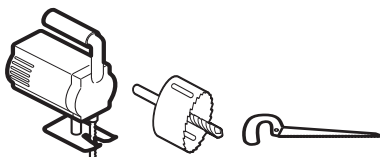
Tijeras (para cortar la plantilla, si es necesario)



Taladro eléctrico con brocas de  $\frac{3}{16}$ ",  $\frac{7}{16}$ ",  $\frac{1}{2}$ " y  $\frac{5}{8}$ "



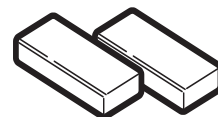
Guantes



Sierra (de sable, agujero, o de ojo de cerradura)



Detector de postes de viga o un martillo (opcional)



Bloques de relleno o pedazos de madera, si son necesarios para rellenar el gabinete (usados solamente en la instalación de gabinetes apoyados)



Gafas de seguridad



Nivel

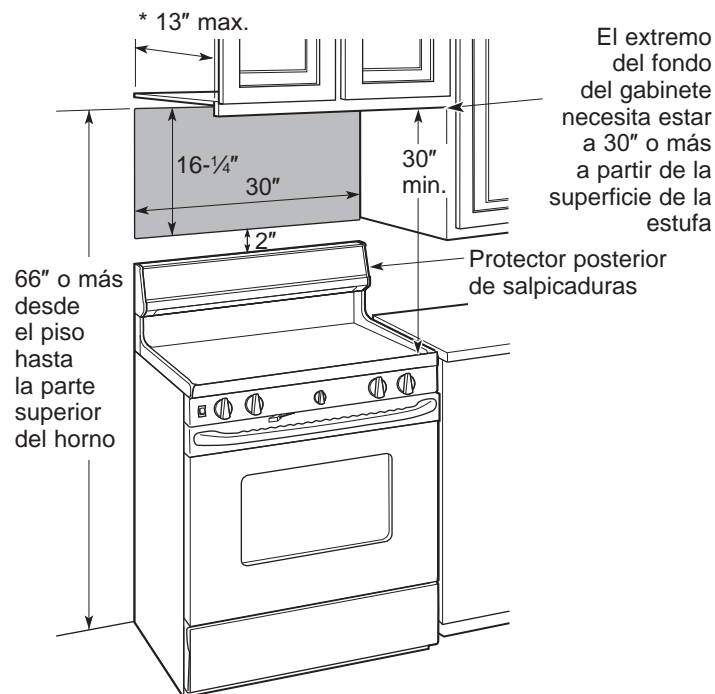


Cinta de conductos o cinta adhesiva protectora

## ESPACIO DE MONTAJE

- El espacio entre los gabinetes debe ser de 30" de ancho y debe estar libre de obstrucciones.
- Si el espacio entre los gabinetes es mayor de 30", un "Filler Panel Kit" podría ser necesario para rellenar las brechas entre el horno y los gabinetes. Su Manual del Propietario contiene el número de kit para su modelo.
- Este horno es para ser instalado por encima de estufas hasta 36" de ancho.
- Si usted se dispone a ventilar su horno hacia el exterior, ver la Sección de Campana de Escape para la preparación del conducto de escape.
- Cuando se instale el horno debajo de gabinetes de fondos lisos y planos, tenga cuidado de seguir cuidadosamente las instrucciones en la plantilla del gabinete superior para el espacio de tolerancia del cable eléctrico.
- \* **Máx. de 13": para una instalación estándar, una profundidad del gabinete de 15" requiere pasos adicionales utilizando el kit de instalación adicional JX15BUMPWW/BB.**
- Para modelos con hoyos de ventilación superiores: No permita que el gabinete u otros objetos bloqueen el flujo de aire de la ventilación.
- Este microondas es apto para su instalación sobre electrodomésticos de cocción eléctrica o a gas con un BTU combinado de 63,000 BTU o menos.
- Los electrodomésticos de cocción a gas de la marca Café sólo se deberán instalar en combinación con un microondas sobre la estufa de la marca Café.
- Los electrodomésticos de cocción a gas de la marca Monogram sólo se deberán instalar en combinación con un microondas sobre la estufa de la marca Monogram.

- Los electrodomésticos de cocción a gas de la marca Monogram con un BTU combinado superior a 66,000 BTU no se deberán emparejar con un microondas sobre la estufa.

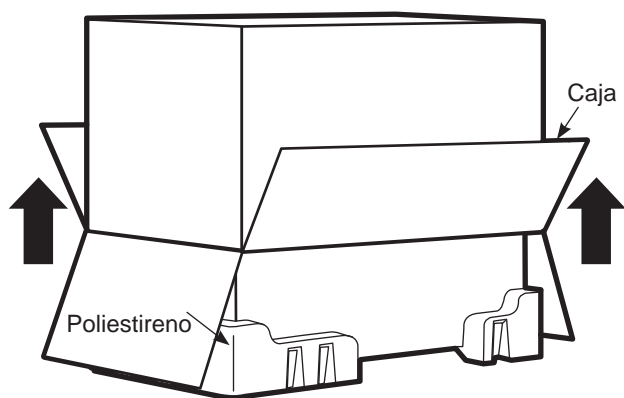


# Instrucciones de instalación

## 1 CÓMO COLOCAR EL PLATO DE MONTAJE

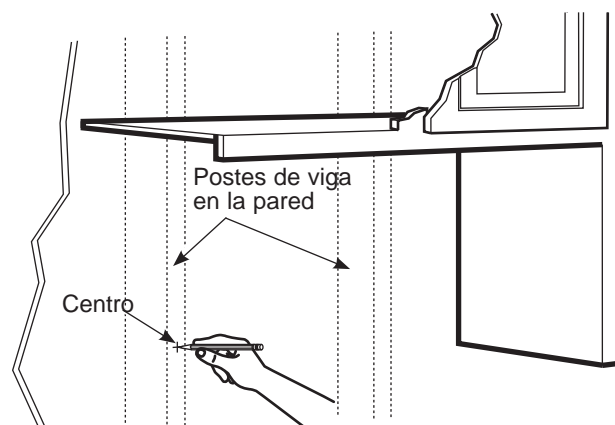
### A CÓMO REMOVER EL HORNO DEL EMBALAJE / CÓMO REMOVER EL PLATO DE MONTAJE

- 1 Remueva la caja que contiene las instrucciones de instalación, los filtros, el adaptador de escape, el regulador de tiro y la pequeña bolsa con los elementos de instalación. No remueva la espuma de poliestireno que protege el frente del horno.
- 2 Pliegue hacia atrás las alas de la caja. Luego, cuidadosamente ruede el horno hasta que quede apoyado sobre la parte superior. El horno deberá descansar sobre la espuma de poliestireno.



- 3 Tire de la caja hacia arriba y retírela del horno.
- 4 El plato de montaje está pegado a la parte posterior del horno. Remueva los dos tornillos que lo sostienen pegado al horno. El plato será usado como la plantilla de la pared posterior y para montar el horno a la pared.
- 5 Pare el horno. Remueva y descarte de manera apropiada las bolsas plásticas y el poliestireno.
- 6 Abra la puerta del horno y remueva el paquete de espuma de poliestireno del interior. Remueva la cinta adhesiva que cubre el aro giratorio.

### B CÓMO ENCONTRAR LOS POSTES DE VIGA EN LA PARED



- 1 Encuentre los postes, usando uno de los métodos siguientes:
  - A. Use un detector de postes – un dispositivo magnético que localiza clavos.
  - B. Use un martillo para golpear ligeramente a través de la superficie de montaje hasta encontrar un sonido sólido. Esto indicará que hay un poste de viga en ese lugar.
- 2 Después de localizar el poste o los postes de viga, encuentre el centro mediante el análisis de la pared usando un clavo pequeño para darse cuenta de dónde están los bordes del poste. Luego coloque una marca en el centro de los bordes. El centro de cualquier poste adyacente deberá ser entre 16" ó 24" desde esta marca.
- 3 Trace una línea hacia abajo indicando el centro del poste.

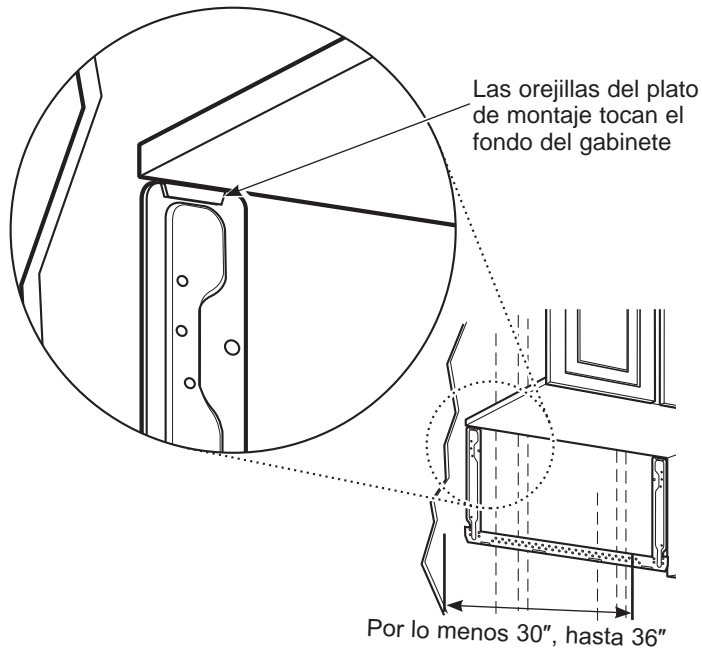
**IMPORTANTE: El horno de microondas se deberá conectar a por lo menos un montaje de pared.**



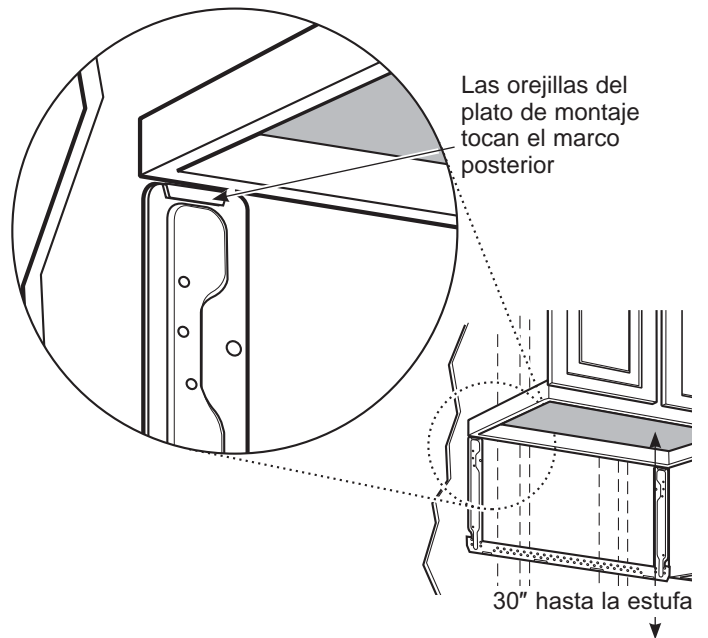
# Instrucciones de instalación

## C CÓMO DETERMINAR LA LOCALIZACIÓN DEL PLATO DE MONTAJE DEBAJO DE SU GABINETE

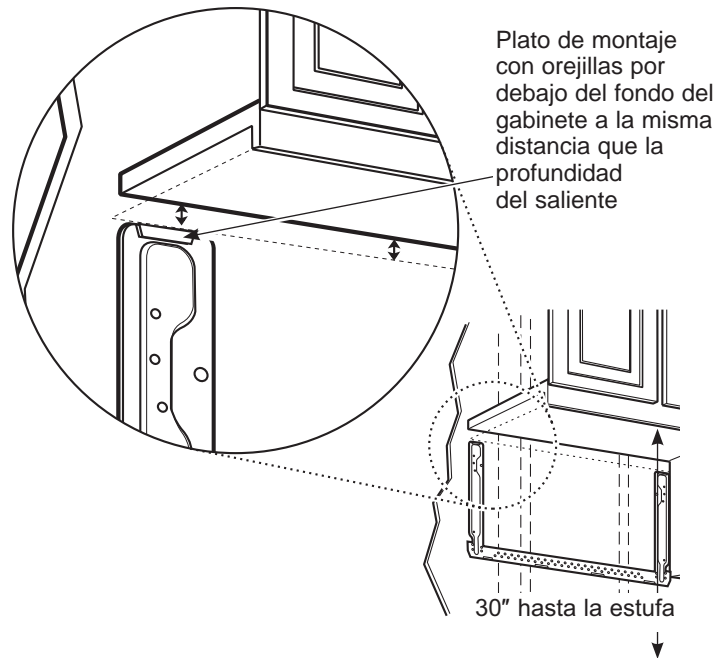
### Posición del plato – debajo de gabinetes de fondo plano



### Posición del plato – debajo de gabinetes de fondo apoyado en un marco



### Posición del plato – debajo de gabinetes de fondo apoyado con frente saliente



Sus gabinetes podrían tener marcos de decoración que interfieran con la instalación del horno. Remueva los marcos decorativos para instalar el horno apropiadamente y para hacer que quede nivelado.

#### EL HORNO DEBE QUEDAR NIVELADO.

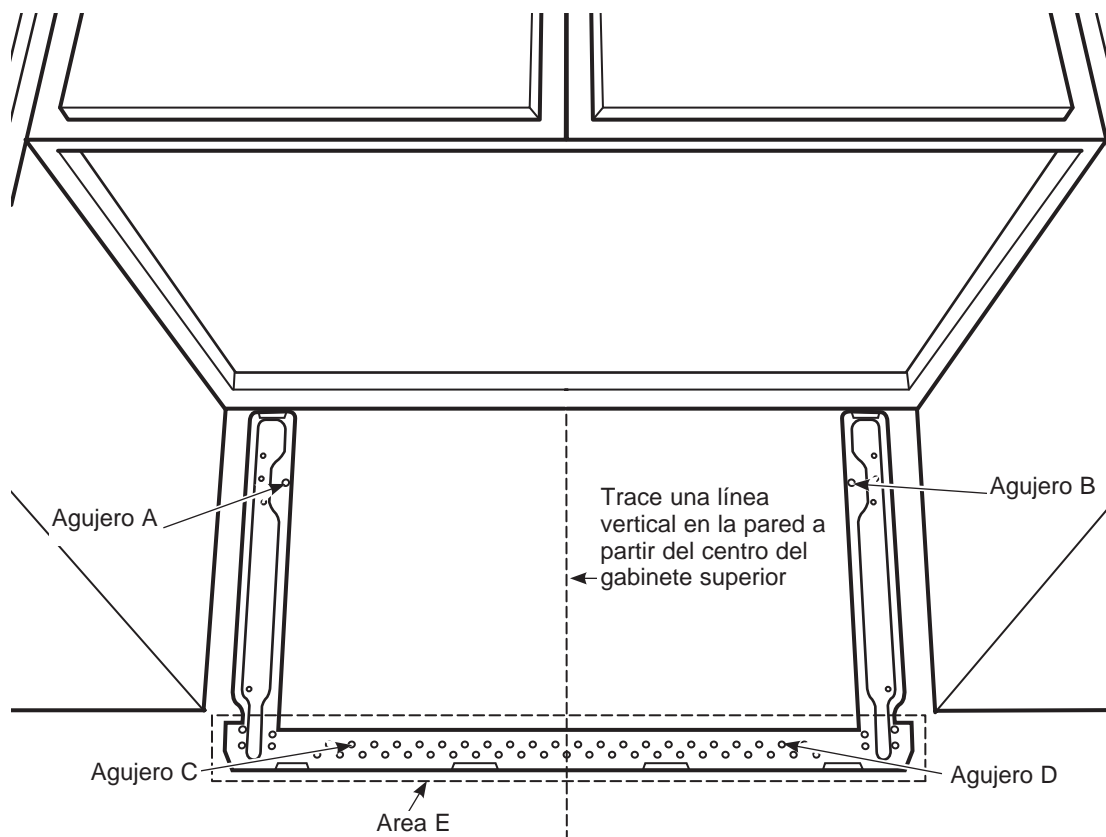
Use un nivel para cerciorarse de que el fondo del gabinete está nivelado.

Si los gabinetes tienen un saliente frontal solamente, sin marco posterior o lateral, instale el plato de montaje a la misma distancia de la profundidad del saliente. Este mantendrá el horno nivelado.

- 1 Mida la profundidad interna del frente del saliente.
- 2 Trace una línea horizontal en la pared posterior a una distancia debajo del fondo del gabinete igual a la profundidad interna del frente saliente.
- 3 Para este tipo de instalación con saliente frontal solamente, alinee las orejillas de montaje con la línea horizontal, sin tocar el fondo del gabinete como se describió en el Paso D.

# Instrucciones de instalación

## D CÓMO ALINEAR EL PLATO DE MONTAJE SOBRE LA PARED



**⚠ PRECAUCIÓN** Use guantes de protección para evitar cortaduras en sus dedos con los extremos filosos.

- 1 Trace una línea vertical en la pared en el centro del espacio de 30" de ancho.
- 2 Use el plato de montaje como la plantilla para la pared posterior. Coloque el plato de montaje en la pared, cerciorándose de que las orejillas se encuentran tocando el fondo del gabinete o la línea marcada en el Paso C para los gabinetes con salientes frontales. Alinee la muesca y línea del centro en el plato de montaje con la línea de centro en la pared.
- 3 Mientras sostiene el plato de montaje con una mano, trace círculos en la pared en los agujeros A, B, C y D (ver la ilustración anterior / la placa real está marcada con flechas). **Deben usarse cuatro agujeros para el montaje.**

**NOTA:** Los agujeros C y D están dentro del área E. Si ni C ni D están en un montaje, busque dos montajes en alguna parte en el área E y dibuje dos círculos que se alineen con estos dos montajes. Si sólo hay un montaje en el área E, determine si C o D está más alejado del montaje, y dibuje un cuarto círculo en esta ubicación. Es importante usar por lo menos un tornillo de madera montado de manera firme en un montaje para sostener el peso del horno.

**Deje la placa de montaje a un costado.**

**⚠ ADVERTENCIA** Riesgo de descarga eléctrica. Puede provocar lesiones o la muerte. Tenga cuidado de no perforar el cableado eléctrico ubicado dentro de las paredes o gabinetes.

- 4 Perfore agujeros en los círculos. Si hay un poste de viga, perfore un agujero de 3/16" para los tornillos de madera. Para los agujeros que no quedaron alineados con el poste de viga, perfore un agujero de 5/8" para los tornillos basculantes.

**NOTA: TODAVÍA NO MONTE EL PLATO.**

# Instrucciones de instalación

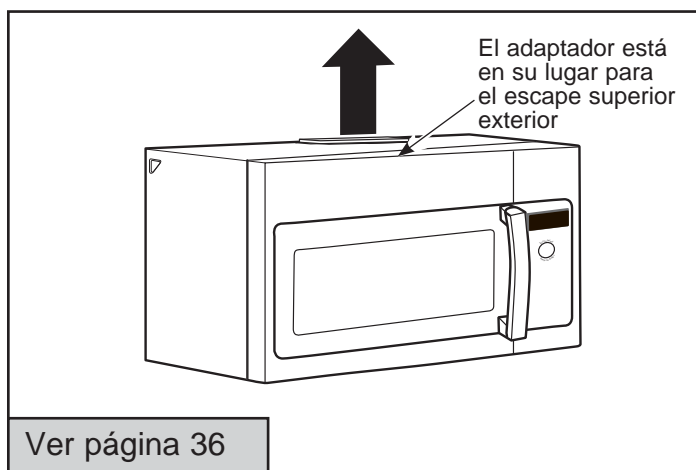
## 2 TIPOS DE INSTALACIÓN (Escoja A, B o C)

Este horno está diseñado para adaptarse a los siguientes tres tipos de ventilación:

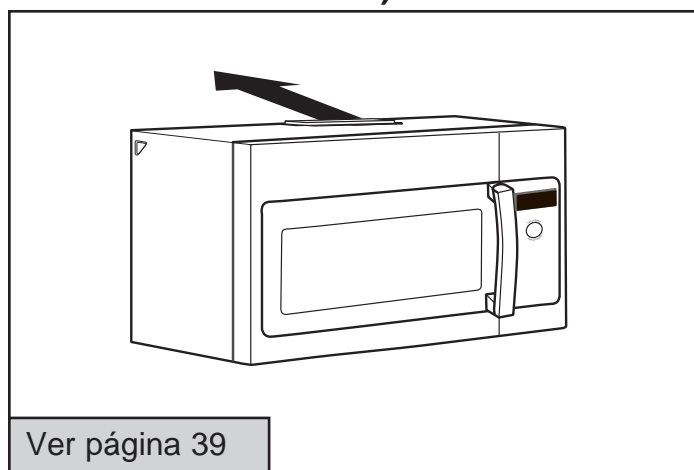
- A. Escape superior exterior (Conducto vertical)
- B. Escape posterior exterior (Conducto horizontal)
- C. Recirculación (Sin conducto de ventilación)

**NOTA:** Este horno es enviado ya ensamblado para un escape superior exterior. Seleccione el tipo de ventilación requerido para su instalación y proceda a tal sección.

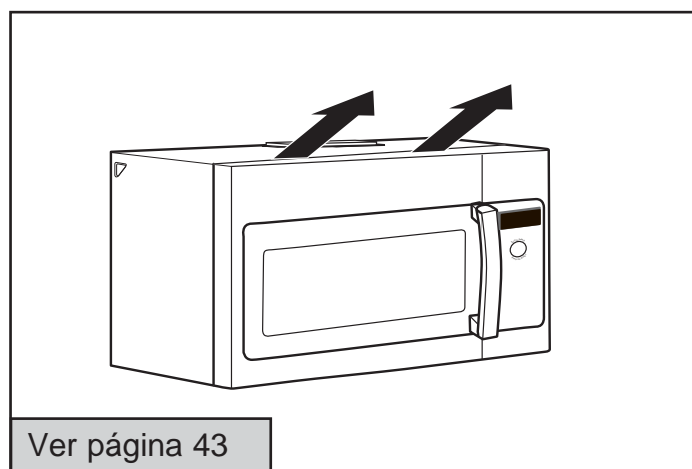
### A ESCAPE SUPERIOR EXTERIOR (CONDUCTO VERTICAL)



### B ESCAPE POSTERIOR EXTERIOR (CONDUCTO HORIZONTAL)



### C RECIRCULACIÓN (SIN CONDUCTO DE VENTILACIÓN)



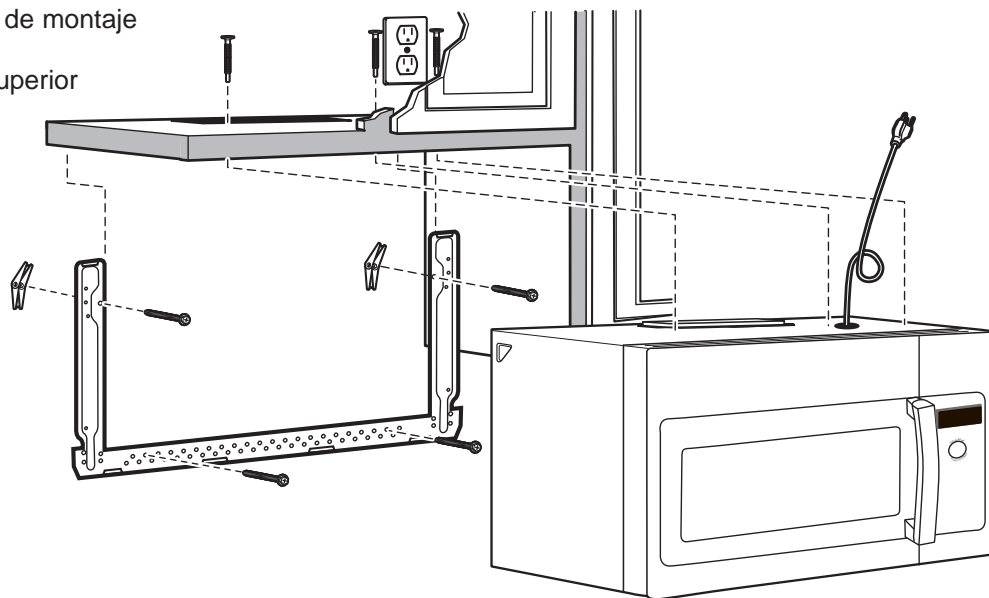
Un Kit de accesorios de filtro de carbonilla es necesario para el sistema sin ventilación. (Consulte su Manual del Propietario para obtener el número del kit.)

# Instrucciones de instalación

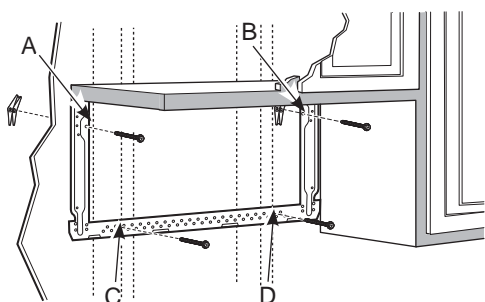
## A ESCAPE SUPERIOR EXTERIOR (Conducto vertical)

### PERSPECTIVA GENERAL DE LA INSTALACIÓN

- A1. Como adherir el plato de montaje a la pared
- A2. Prepare el gabinete superior
- A3. Instale el adaptador
- A4. Monte el horno
- A5. Ajuste el adaptador de escape
- A6. Conecte el conducto



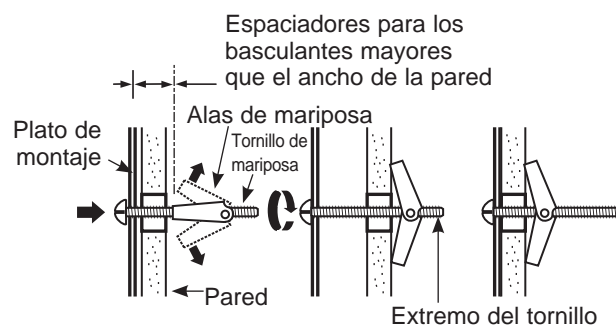
### A1 CÓMO ADHERIR LA PLACA DE MONTAJE A LA PARED



Pegue el plato a la pared usando los tornillos basculantes. Por lo menos un tornillo de madera debe ser usado para pegar el plato al poste de la pared. Las ubicaciones recomendadas sobre la placa de montaje se indican en A, B, C y D.

- 1 Remueva las mariposas del basculante de los tornillos.
- 2 Inserte los tornillos en el plato de montaje a través de los agujeros diseñados para ser insertados en la pared de mampostería seca y pegue otra vez las mariposas de 3/4" en cada tornillo.

### Para usar los tornillos basculantes:



- 3 Coloque el plato de montaje contra la pared e inserte las alas de mariposa en los agujeros de la pared para montar el plato.

**NOTA:** Antes de apretar los tornillos basculantes y los tornillos de madera, cerciórese de que las orejillas en el plato de montaje toquen el fondo del gabinete cuando son empujadas contra la pared y de que el plato esté centrado apropiadamente debajo del gabinete.

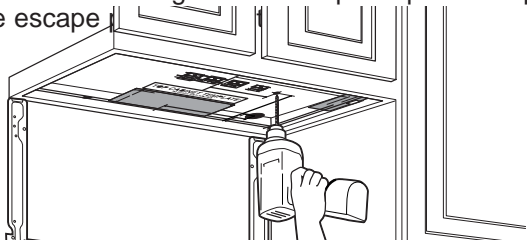
**⚠ PRECAUCIÓN** Tenga cuidado de evitar pellizcar sus dedos entre la parte posterior del plato de montaje y la pared.

- 4 Apriete todos los tornillos. Tire del plato en dirección opuesta a la pared para ayudar a apretar los tornillos.

# Instrucciones de instalación

## A2 USE LA PLANTILLA DEL GABINETE SUPERIOR PARA LA PREPARACIÓN DEL GABINETE SUPERIOR

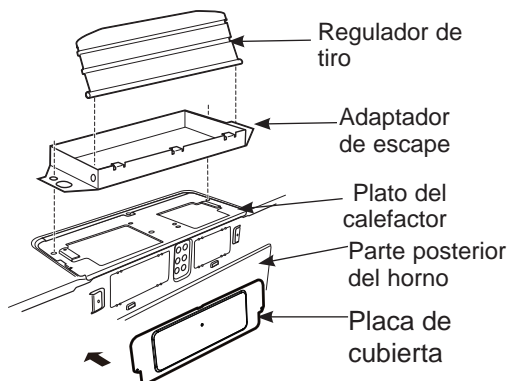
Deberá perforar agujeros para los tornillos de apoyo superiores, un agujero suficientemente grande para que el cable eléctrico quepa, y un recorte lo suficientemente grande como para que el adaptador de escape



- Lea las instrucciones sobre la PLANTILLA DEL GABINETE SUPERIOR.
- Péguelo debajo del gabinete superior.
- Taladre los agujeros, siguiendo las instrucciones en la PLANTILLA DEL GABINETE SUPERIOR.

**▲PRECAUCIÓN** Use gafas de seguridad cuando perfore los agujeros en el fondo del gabinete.

## A3 ENSAMBLAJE E INSTALACIÓN DEL ADAPTADOR



- 1 Coloque el horno en su posición vertical, con la parte superior hacia arriba.
- 2 Inserte las orejillas en cada lado del regulador de tiro en los agujeros en el interior posterior del adaptador.
- 3 Pegue el adaptador de escape al plato calefactor con los dos tornillos de bronce que le proporcionamos.

**Cerciórese de que el regulador de tiro gira fácilmente antes de montar el horno.**

Deberá hacer ajustes para asegurarse de que existe alineación apropiada con el sistema de conductos de su casa después de la instalación del horno.

## A4 CÓMO MONTAR EL HORNO



**▲PRECAUCIÓN** A fin de evitar el riesgo de lesión personal (lesión en la espalda u otras lesiones debido a peso excesivo del horno de microondas) o daños sobre el producto, deberá contar con la ayuda de dos personas para instalar este horno de microondas.

**IMPORTANTE:** No tome ni use la manija durante la instalación.

**▲ADVERTENCIA** Riesgo de Descarga Eléctrica. Puede ocasionar lesiones o la muerte: si instala la unidad con encimeros de metal, cubra el agujero del extremo del cable de suministro de corriente con aislante para el cable del suministro de corriente.

**IMPORTANTE:** Si no se usan bloqueadores de filtro, se podrán producir daños en la caja debido al ajuste excesivo de los tornillos.

**NOTA:** Cuando se encuentre montando el horno, enrosque el cable eléctrico a través del agujero en el fondo del gabinete superior. Manténgalo tenso a través de los Pasos del 1-3. No pellizque el cable ni tire del horno por el cable.

- 1 Levante el horno, inclínelo hacia adelante, y enganche las ranuras en el extremo inferior posterior en dos orejillas inferiores del plato de montaje.



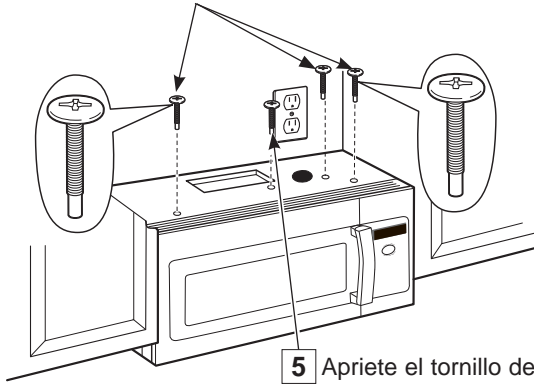
- 2 Gire el frente del horno contra el fondo del gabinete.
- 3 Inserte un tornillo de autoalineación a través del agujero central superior del gabinete. Asegure el horno temporalmente girando el tornillo por lo menos dos vueltas completas después de que las rosas hayan agarrado. (Luego quedarán totalmente apretadas).

# Instrucciones de instalación

## A4 CÓMO MONTAR EL HORNO (continuación)

3 Pegue el horno a la parte superior del gabinete.

4 Inserte 3 tornillos ( $\frac{1}{4}$ "-28 x 2  $\frac{5}{8}$ ") autoalineables a través de los agujeros exteriores superiores del horno. Gire dos vueltas completas en cada tornillo.



5 Apriete el tornillo del centro completamente.

Frente del gabinete

Estante del fondo del gabinete

Bloque de relleno

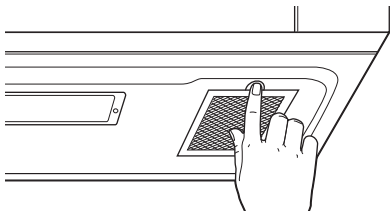
Equivalente a la profundidad del retroceso del gabinete

Esta distancia NO puede superar las 2" para asegurar una instalación adecuada.

Tornillo autoalineable

Parte superior del horno

6 Apriete los dos tornillos exteriores hacia la parte de arriba del horno. (Mientras aprieta los tornillos, mantenga el horno en su lugar contra la pared y el gabinete superior.)

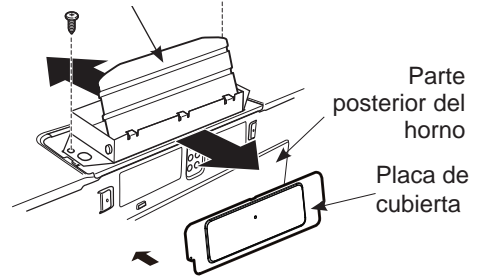


7 Instale los filtros de grasa. Ver el Manual del Propietario que viene con el horno.

## A5 CÓMO AJUSTAR EL ADAPTADOR DE ESCAPE

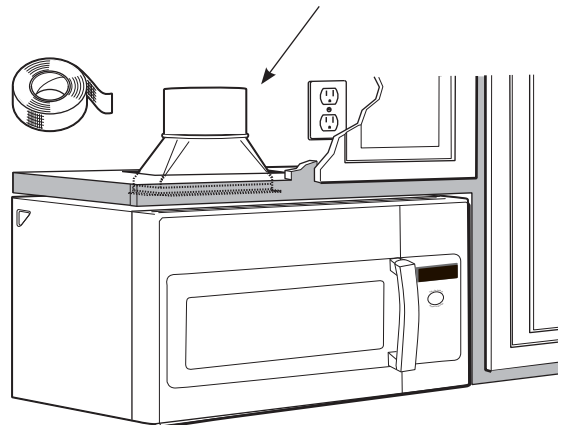
Abra el gabinete superior y ajuste el adaptador de escape para conectarlo al conducto de la casa.

Regulador de tiro



## A6 CÓMO CONECTAR EL CONDUCTO

Conducto de la casa



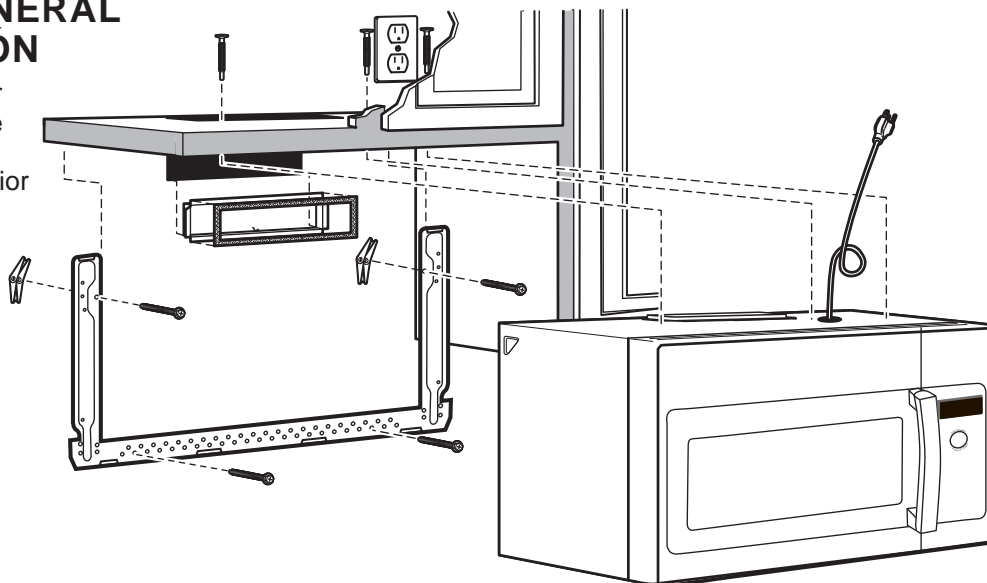
- 1 Extienda el conducto de la casa hacia abajo para conectarlo con el adaptador de escape.
- 2 Selle las juntas del conducto de escape usando cinta adhesiva de conductos.

# Instrucciones de instalación

## B ESCAPE POSTERIOR EXTERNO (Conducto horizontal)

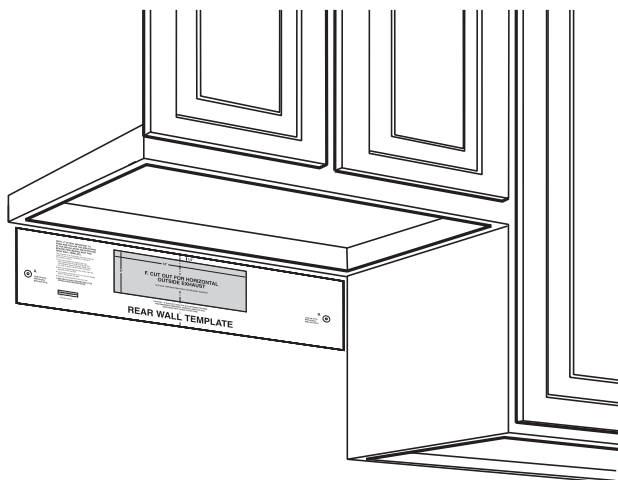
### PERSPECTIVA GENERAL DE LA INSTALACIÓN

- B1. Prepare la pared posterior
- B2. Pegue el plato de montaje a la pared
- B3. Prepare el gabinete superior
- B4. Ajuste el calefactor
- B5. Monte el horno



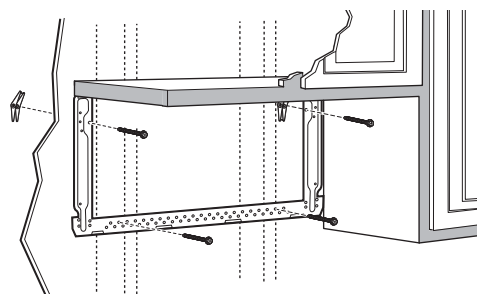
### B1 CÓMO PREPARAR LA PARED POSTERIOR PARA EL ESCAPE POSTERIOR EXTERIOR

Necesita cortar una abertura en la pared posterior para el escape exterior.



- Lea las instrucciones en la PLANTILLA PARA LA PARED POSTERIOR.
- Péguela con cinta adhesiva a la pared posterior, alineándola con los agujeros previamente perforados para los agujeros A y B en el plato de la pared.
- Corte la abertura, siguiendo las instrucciones de la PLANTILLA PARA LA PARED POSTERIOR.

### B2 CÓMO ADHERIR EL PLATO DE MONTAJE A LA PARED

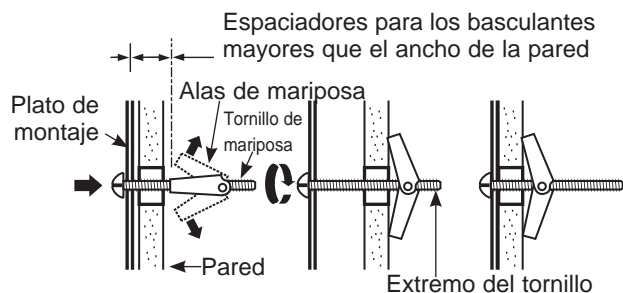


Pegue el plato a la pared usando los tornillos basculantes. Por lo menos un tornillo de madera debe ser usado para pegar el plato al poste de viga de la pared.

- 1 Remueva las mariposas de los tornillos.
- 2 Inserte los tornillos en el plato de montaje a través de los agujeros diseñados para colocarse contra la pared de mampostería seca y pegue otra vez las mariposas de  $\frac{3}{4}$ " a cada tornillo.

# Instrucciones de instalación

## Para usar los tornillos basculantes:



- 3 Coloque el plato de montaje contra la pared e inserte las alas de mariposa en los agujeros de la pared para montar el plato.

**NOTA:** Antes de apretar los tornillos basculantes y el tornillo de madera, cerciórese de que las orejillas en el plato de montaje toquen el fondo del gabinete cuando se empujen contra la pared y de que el plato esté centrado apropiadamente debajo del gabinete.

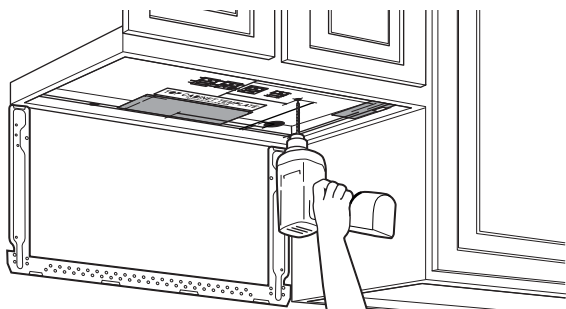
### ⚠ PRECAUCIÓN

Tenga cuidado de evitar pellizcar sus dedos entre la parte posterior del plato de montaje y la pared.

- 4 Apriete todos los tornillos. Tire del plato en dirección opuesta a la pared para ayudar a apretar los tornillos.

## B3 USE LA PLANTILLA DEL GABINETE SUPERIOR PARA PREPARAR EL GABINETE SUPERIOR

Necesita perforar agujeros para los tornillos de apoyo superiores y un agujero suficientemente grande para que el cable eléctrico quepa.



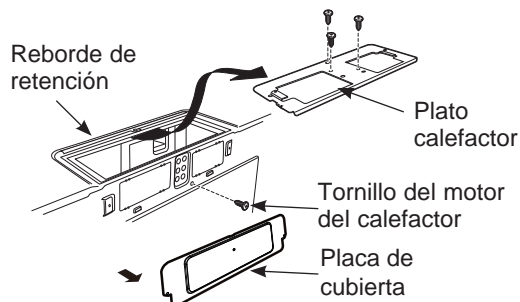
- Lea las instrucciones sobre la PLANTILLA DEL GABINETE SUPERIOR.
- Péguela debajo del gabinete superior.
- Taladre los agujeros, siguiendo las instrucciones en la PLANTILLA DEL GABINETE SUPERIOR.

### ⚠ PRECAUCIÓN

Use gafas de seguridad cuando perfore los agujeros en el fondo del gabinete.

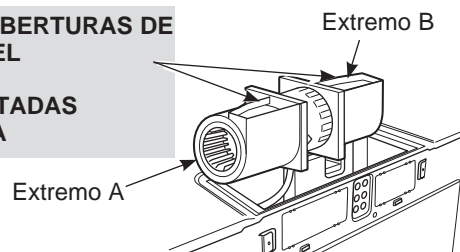
## B4 CÓMO ADAPTAR EL CALEFACTOR PARA EL ESCAPE POSTERIOR EXTERIOR

- 1 Remueva y guarde los tornillos que sostienen el plato del calefactor en el horno. Deslice el plato del calefactor de abajo de su reborde de retención. Remueva y guarde los tornillos que sostienen el motor del calefactor en el horno. Retire la tapa instalada en la parte posterior.

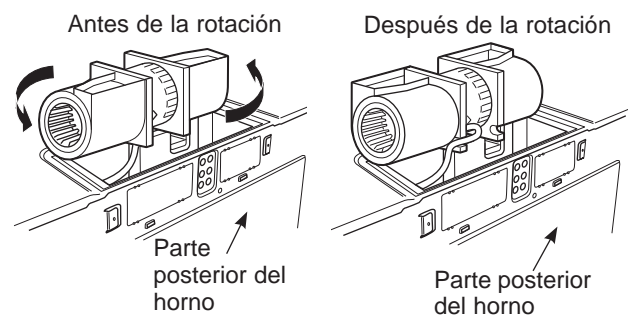


- 2 Cuidadosamente tire del calefactor. Los alambres se extenderán lo suficiente como para permitirle que usted ajuste la unidad del calefactor.

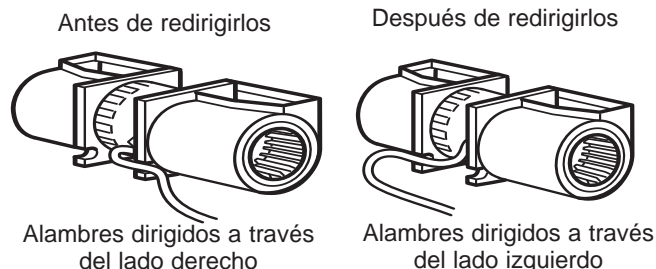
**ANTES: LAS ABERTURAS DE LA PALETA DEL VENTILADOR ESTÁN ORIENTADAS HACIA ARRIBA**



- 3 Rote la unidad 180° en sentido contrario a las agujas del reloj.



- 4 Suavemente remueva los alambres de las ranuras. Redirija los alambres a través de las ranuras en el otro lado de la unidad del calefactor.

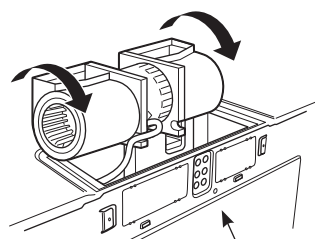




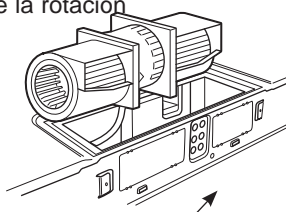
# Instrucciones de instalación

- 5 Ruede la unidad del calefactor 90° de forma tal que las aberturas de la paleta del ventilador estén orientadas hacia la parte posterior del horno.

Antes de la rotación



Después de la rotación



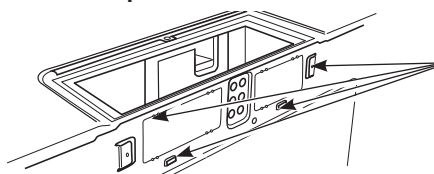
- 6 Localice los dos platos removibles en el panel posterior del horno, cerca de la parte superior del horno.

Usando tijeras, cuidadosamente corte el área de telaraña de los dos agujeros lado a lado (que aseguran los platos removibles al horno). Corte las cuatro telarañas en ambos platos removibles posteriores; esto permitirá que el flujo de aire del ventilador escape hacia la parte posterior del horno.

## PRECAUCIÓN

Cerciórese de recortar los extremos filosos de las aberturas después de remover los platos.

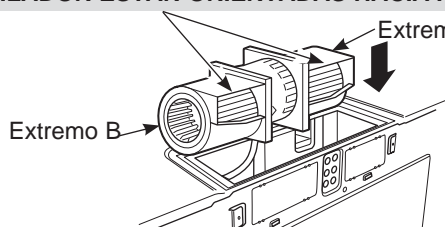
Parte posterior del horno



Corte con tijeras las cuatro telarañas de cada panel removible y remueva los discos removibles de metal para permitir el flujo de aire posterior.

- 7 Coloque la unidad del calefactor de nuevo en la abertura.

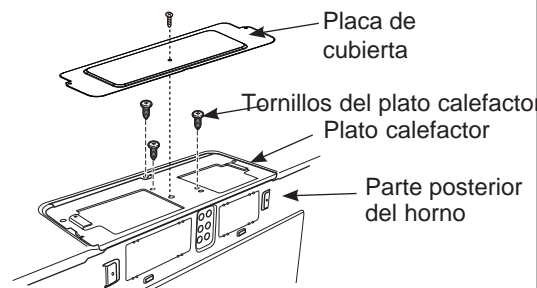
**DESPUES: LAS ABERTURAS DE LA PALETA DEL VENTILADOR ESTÁN ORIENTADAS HACIA ATRÁS**



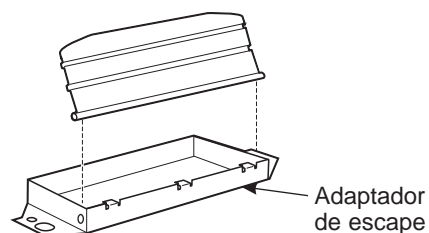
## ADVERTENCIA

Existe riesgo de descargas eléctricas que pueden ocasionar lesiones o la muerte. No empuje ni extienda el cableado de la unidad de ventilación. Asegúrese de que los cables no posean cortes. NOTA: Las aberturas de la salida de la unidad de ventilación deben coincidir con las aberturas de salida de la parte trasera del horno de microondas.

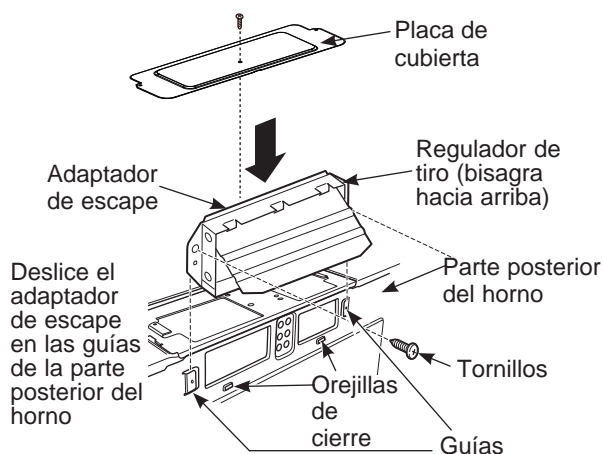
- 8 Coloque el plato calefactor en la misma posición como estaba antes con los tornillos. Coloque la cubierta en la placa del soplador (incluya un tornillo).



- 9 Inserte las orejillas en cada lado del regulador de tiro en los agujeros en el lado interior posterior del adaptador.



- 10 Pegue el adaptador de escape a la parte posterior del horno deslizándolo en las guías en la parte superior central de la parte posterior del horno.



Empuje firmemente hasta que esté en las orejillas de cierre inferiores. Tenga cuidado de asegurarse de que la bisagra del regulador de tiro esté instalada de forma que esté en la parte superior y que el regulador de tiro gire libremente.

- 11 Asegure el adaptador de escape al horno con los dos tornillos metálicos de bronce que proporcionamos.

# Instrucciones de instalación

## B5 CÓMO MONTAR EL HORNO



### ⚠ PRECAUCIÓN

A fin de evitar el riesgo de lesión personal (lesión en la espalda u otras lesiones debido a peso excesivo del horno de microondas) o daños sobre el producto, deberá contar con la ayuda de dos personas para instalar este horno de microondas.

**IMPORTANTE:** No tome ni use la manija durante la instalación.

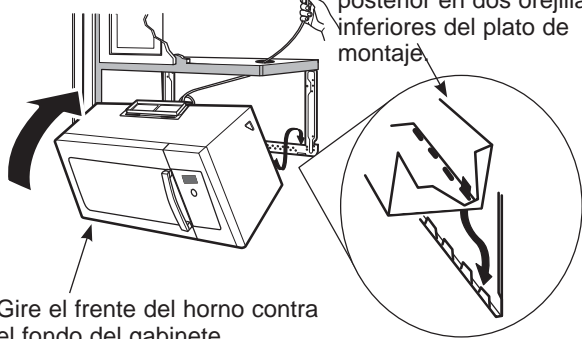
### ⚠ ADVERTENCIA

**Riesgo de Descarga Eléctrica. Puede ocasionar lesiones o la muerte: si instala la unidad con encimeras de metal, cubra el agujero del extremo del cable de suministro de corriente con aislante para el cable del suministro de corriente.**

**IMPORTANTE:** Si no se usan bloqueadores de filtro, se podrán producir daños en la caja debido al ajuste excesivo de los tornillos.

**NOTA:** Cuando se encuentre montando el horno, enrosque el cable eléctrico a través del agujero en el fondo del gabinete superior. Manténgalo tenso a través de los Pasos del 1-3. No pellizque el cable ni tire del horno por el cable.

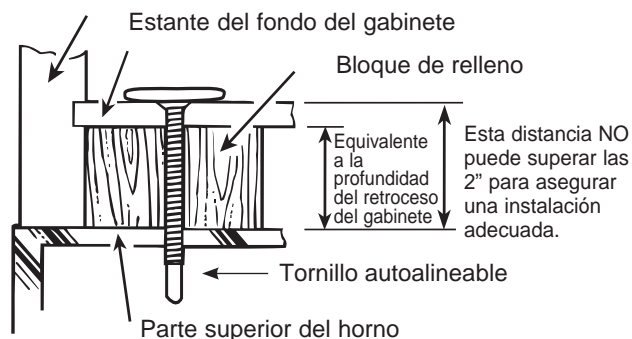
1 Levante el horno, inclínelo hacia adelante, y enganche las ranuras en el extremo inferior posterior en dos orejillas inferiores del plato de montaje.



2 Gire el frente del horno contra el fondo del gabinete.

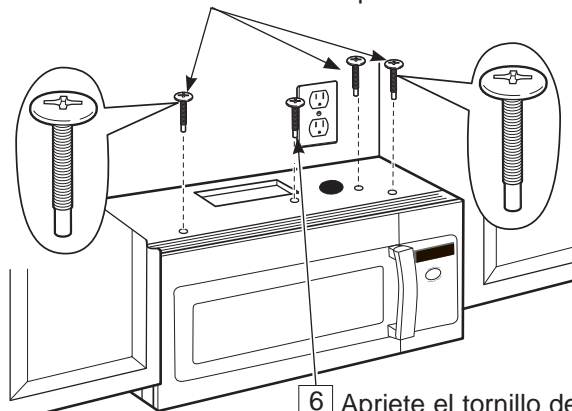
3 Inserte un tornillo de autoalineación a través del agujero central superior del gabinete. Asegure el horno temporalmente girando el tornillo por lo menos dos vueltas completas después de que las roscas hayan agarrado. (Luego quedarán totalmente apretadas).

Frente del gabinete



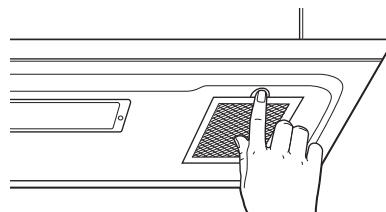
4 Pegue el horno a la parte superior del gabinete.

5 Inserte 3 tornillos (1/4"-28 x 2 5/8") autoalineables a través de los agujeros exteriores del horno. Gire dos vueltas completas en cada tornillo.



6 Apriete el tornillo del centro completamente.

7 Apriete los dos tornillos exteriores hacia la parte de arriba del horno. (Mientras aprieta los tornillos, mantenga el horno en su lugar contra la pared y el gabinete superior.)



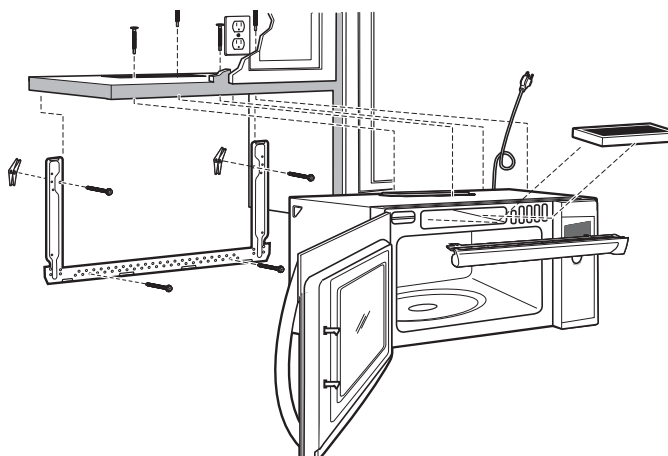
8 Instale los filtros de grasa. Ver el Manual del Propietario que viene con el horno.

# Instrucciones de instalación

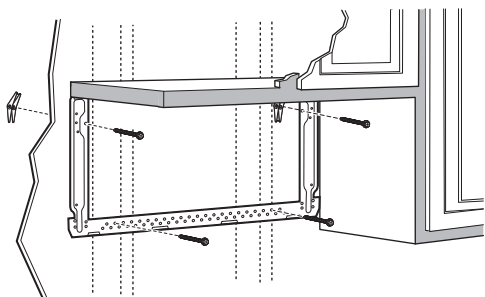
## C RECIRCULACIÓN (Sin conducto de ventilación)

### PERSPECTIVA GENERAL DE LA INSTALACIÓN

- C1. Pegue el plato de montaje a la pared
- C2. Prepare el gabinete superior
- C3. Ajuste el calefactor
- C4. Monte el horno
- C5. Instale el filtro de carbonilla (No suministrado)



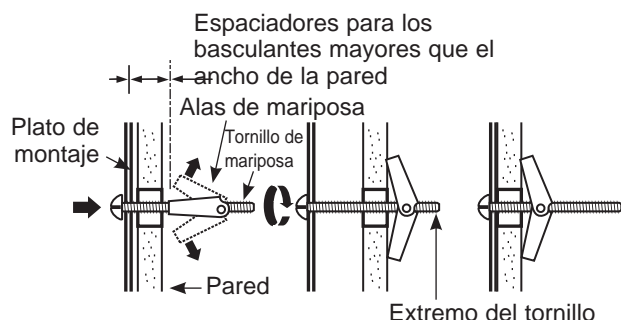
### C1 CÓMO ADHERIR LA PLACA DE MONTAJE A LA PARED



Pegue el plato a la pared usando los tornillos basculantes. Por lo menos un tornillo de madera debe ser usado para pegar el plato al poste de la pared.

- 1 Remueva las mariposas del basculante de los tornillos.
- 2 Inserte los tornillos en el plato de montaje a través de los agujeros diseñados para ser insertados en la pared de mampostería seca y pegue otra vez las mariposas de  $\frac{3}{4}$ " en cada tornillo.

Para usar los tornillos basculantes:



- 3 Coloque el plato de montaje contra la pared e inserte las alas de mariposa en los agujeros de la pared para montar el plato.

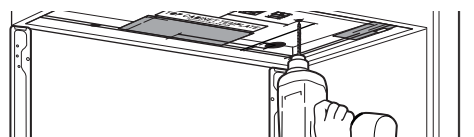
NOTA: Antes de apretar los tornillos basculantes y los tornillos de madera, cerciórese de que las orejillas en el plato de montaje toquen el fondo del gabinete cuando son empujadas contra la pared y de que el plato esté centrado apropiadamente debajo del gabinete.

**⚠ PRECAUCIÓN** Tenga cuidado de evitar pellizcar sus dedos entre la parte posterior del plato de montaje y la pared.

- 4 Apriete todos los tornillos. Tire del plato en dirección opuesta a la pared para ayudar a apretar los tornillos.

### C2 USE LA PLANTILLA DEL GABINETE SUPERIOR PARA LA PREPARACIÓN DEL GABINETE SUPERIOR

Deberá perforar agujeros para los tornillos de apoyo superiores y un agujero suficientemente grande para que el cable eléctrico quepa.



- Lea las instrucciones sobre la PLANTILLA DEL GABINETE SUPERIOR.
- Péguela debajo del gabinete superior.
- Taladre un agujero, siguiendo las instrucciones en la PLANTILLA DEL GABINETE SUPERIOR.

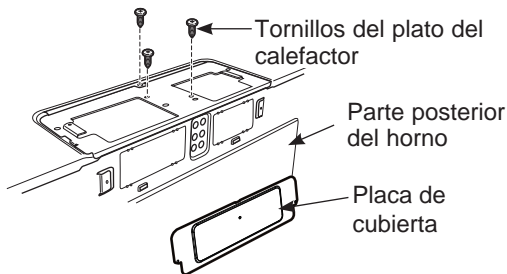
**⚠ PRECAUCIÓN** Use gafas de seguridad cuando perfore los agujeros en el fondo del gabinete.

# Instrucciones de instalación

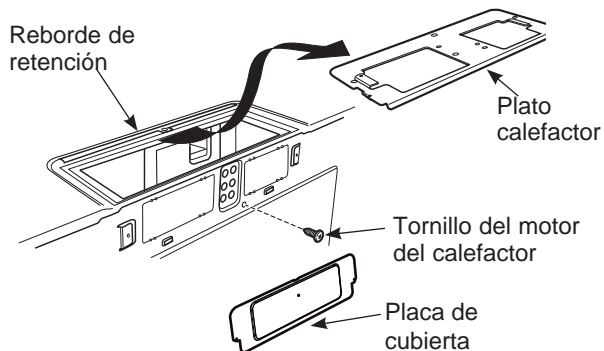
## C3 CÓMO ADAPTAR EL CALEFACTOR PARA LA RECIRCULACIÓN

**NOTA:** El adaptador de escape con calefactor no es necesario para los modelos de recirculación. Quizás desee guardarlos para posibles usos futuros.

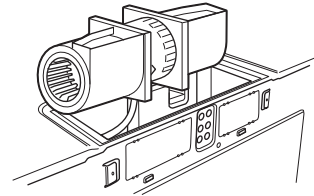
- 1 Remueva y guarde los tornillos que sostienen el plato del calefactor en el horno.



- 2 Deslice el plato calefactor por debajo de su reborde de retención. Remueva y guarde los tornillos que sostienen el motor del calefactor al horno. Retire la tapa instalada en la parte posterior.

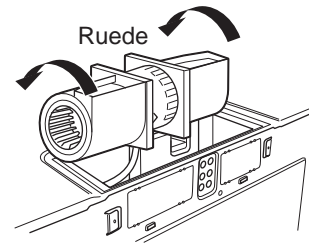
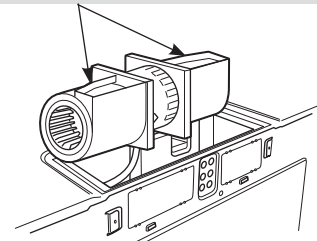


- 3 Cuidadosamente tire del calefactor. Los alambres se extenderán lo suficiente para permitirle que usted ajuste la unidad del calefactor.

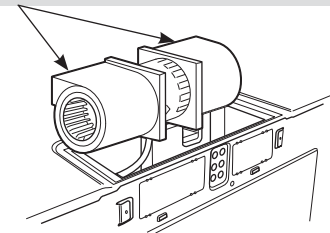


- 4 Ruede la unidad del calefactor 90° de forma tal que las aberturas de la paleta del ventilador estén orientadas hacia el frente del microondas.

**ANTES: LAS ABERTURAS DE LA PALETA DEL VENTILADOR ESTÁN ORIENTADAS HACIA ARRIBA**



**DESPUÉS: LAS ABERTURAS DE LA PALETA DEL VENTILADOR ESTÁN ORIENTADAS HACIA ADELANTE**



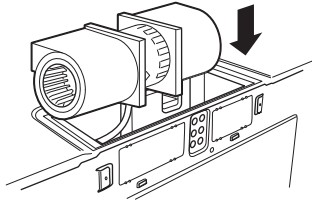
**NOTA:** Cerciérese de que los alambres permanecen encaminados en las ranuras del marco del motor.

# Instrucciones de instalación

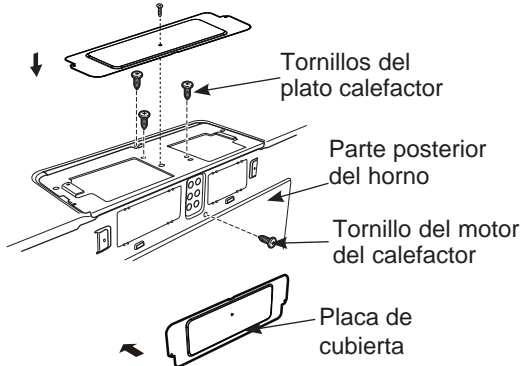
## C3 CÓMO ADAPTAR EL CALEFACTOR PARA LA RECIRCULACIÓN (continuación)

- 5 Coloque la unidad del calefactor de nuevo en la abertura.

**⚠ ADVERTENCIA** Existe riesgo de descargas eléctricas que pueden ocasionar lesiones o la muerte. No empuje ni extienda el cableado de la unidad de ventilación. Asegúrese de que los cables no posean cortes.



- 6 Asegure la unidad de ventilación al horno con los 2 tornillos retirados en el Paso 2. Inserte el tornillo en el agujero del tornillo inferior derecho en la parte trasera del horno.
- 7 Vuelva a colocar la tapa en la parte posterior. Reemplace el plato calefactor con los tornillos removidos en el Paso 1. Coloque la cubierta en la placa del soplador (incluya un tornillo).



## C4 CÓMO MONTAR EL HORNO



**⚠ PRECAUCIÓN** A fin de evitar el riesgo de lesión personal (lesión en la espalda u otras lesiones debido a peso excesivo del horno de microondas) o daños sobre el producto, deberá contar con la ayuda de dos personas para instalar este horno de microondas.

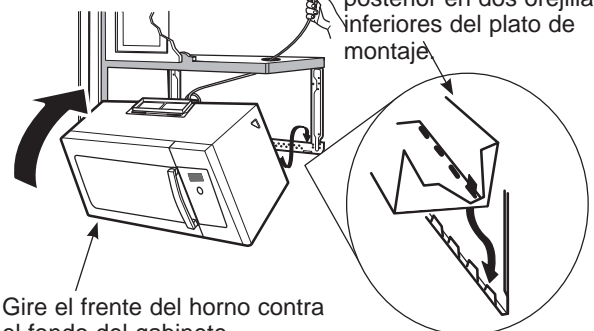
**IMPORTANTE:** No tome ni use la manija durante la instalación.

**⚠ ADVERTENCIA** Riesgo de Descarga Eléctrica. Puede ocasionar lesiones o la muerte: si instala la unidad con encimeros de metal, cubra el agujero del extremo del cable de suministro de corriente con aislante para el cable del suministro de corriente.

**IMPORTANTE:** Si no se usan bloqueadores de filtro, se podrán producir daños en la caja debido al ajuste excesivo de los tornillos.

**NOTA:** Cuando se encuentre montando el horno, enrosque el cable eléctrico a través del agujero en el fondo del gabinete superior. Manténgalo tenso a través de los Pasos del

- 1 Levante el horno, inclínelo hacia adelante, y enganche las ranuras en el extremo inferior posterior en dos orejillas inferiores del plato de montaje.



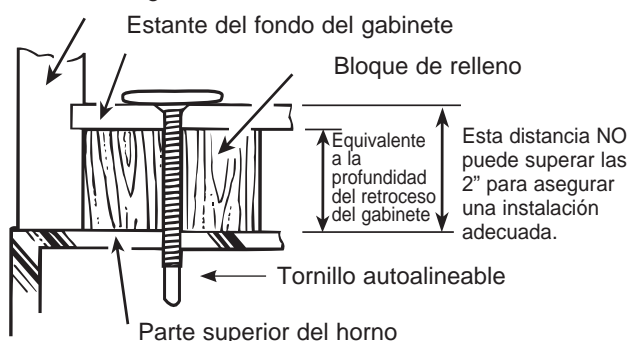
- 2 Gire el frente del horno contra el fondo del gabinete.

- 3 Inserte un tornillo de autoalineación a través del agujero central superior del gabinete. Asegure el horno temporalmente girando el tornillo por lo menos dos vueltas completas después de que las roscas hayan agarrado. (Luego quedarán totalmente apretadas).

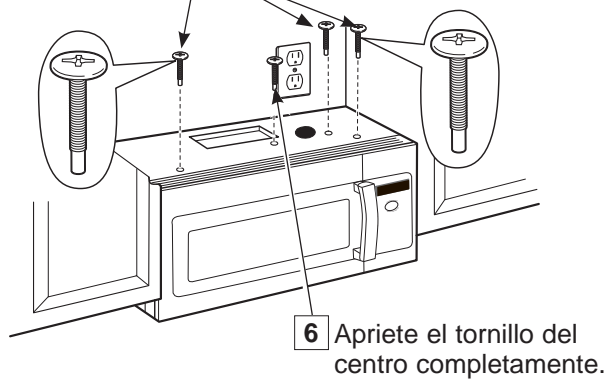
# Instrucciones de instalación

## C4 CÓMO MONTAR EL HORNO (continuación)

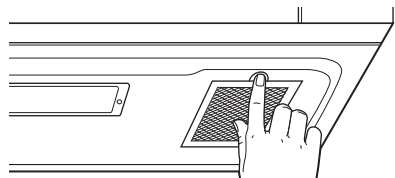
- 4 Inserte un tornillo de autoalineación a través del agujero central superior del gabinete. Asegure el horno temporalmente girando el tornillo por lo menos dos vueltas completas después de que las roscas hayan agarrado. (Luego quedarán totalmente apretadas).  
Frente del gabinete



- 5 Inserte 3 tornillos ( $\frac{1}{4}$ "-28 x 2  $\frac{5}{8}$ "") autoalineables a través de los agujeros exteriores superiores del gabinete. Gire dos vueltas completas en cada tornillo.



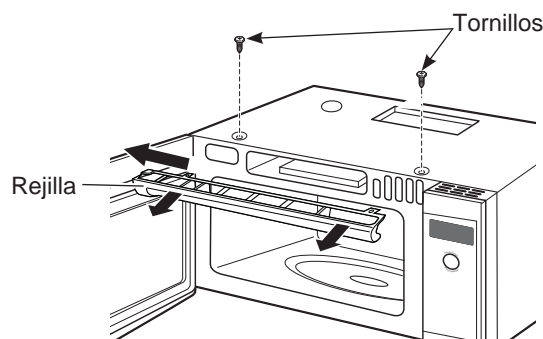
- 7 Apriete los dos tornillos exteriores hacia la parte de arriba del horno. (Mientras aprieta los tornillos, mantenga el horno en su lugar contra la pared y el gabinete superior.)



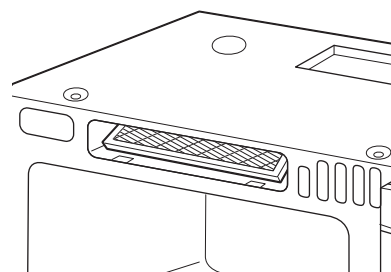
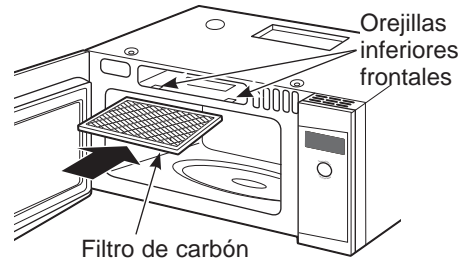
- 8 Instale los filtros de grasa. Ver el Manual del Propietario que viene con el horno.

## C5 CÓMO INSTALAR EL FILTRO DE CARBONILLA

- 1 Remueva los 2 tornillos en la parte superior del horno, justo encima de la rejilla usando un destornillador de estrella.  
2 Abra la puerta.  
3 Remueva la rejilla. Deslice la rejilla hacia la izquierda y luego empuje hacia afuera.



- 4 Inserte el filtro en horno como se muestra hasta que se ajuste correctamente en su lugar. Descansará en un ángulo detrás de las orejillas inferiores frontales. Cuando está instalado correctamente, la malla del filtro debería estar visible desde el frente.



Filtro de carbón instalado

- 5 Reemplace la rejilla y los dos tornillos superiores.  
6 Cierre la puerta y vuelva a colocar el tornillo del lado izquierdo.

# Instrucciones de instalación

## ANTES DE COMENZAR A USAR SU HORNO

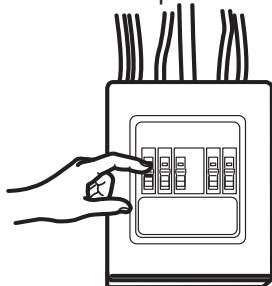
- 1** Cerciérese de que el horno ha sido instalado de acuerdo con las instrucciones.

INSTALLATION  
INSTRUCTIONS

- 2** Remueva todos los materiales de embalaje del horno.

- 3** Instale el aro rotatorio y con ruedas en la cavidad.

- 4** Reemplace el fusible de la casa o encienda de nuevo el interruptor.



- 5** Modelos de 120 V: Enchufe el cable eléctrico en un tomacorriente exclusivo de 15 a 20 amperios.



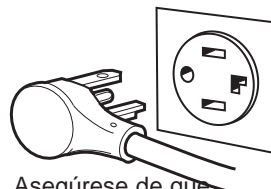
Asegúrese de que existe una conexión a tierra apropiada antes del uso.

Donde haya un tomacorriente de pared estándar de dos espigas, resulta muy importante cambiarlo por un tomacorriente de pared de tres espigas con adecuada conexión a tierra, instalado por un electricista calificado.

- 5** (continued)

**Modelos de 240 V:** El tomacorriente de pared recomendado para este aparato es NEMA #14–30R y puede usarse con el enchufe de 4 clavijas con conexión a tierra de este aparato.

Tomacorriente de pared NEMA 14–30R



Asegúrese de que existe una conexión a tierra apropiada antes del uso.

- 6** Lea el Manual del Propietario.

OWNER'S  
MANUAL

- 7** GUARDE ESTAS INSTRUCCIONES PARA EL USO DEL INSPECTOR LOCAL.

INSTALLATION  
INSTRUCTIONS

