

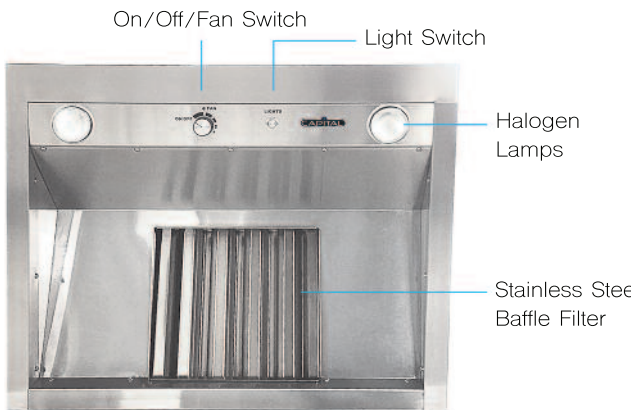
## VENT HOODS

*DELIVERS UNPARALLELED VENTILATION*

Vent away cooking odors and filter out heat, smoke, grease, and fumes. Constructed of the highest-quality stainless steel, and featuring powerful 600 - 1200 CFM internal blower motors and an exclusive baffle filter system, we retained the essential features and did away with the rest, making the design powerful, stylish, and best of all, simple.

### VENT HOOD FEATURES

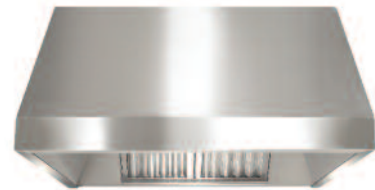
- Available in 30", 36", 48", and 60" widths
- Stainless steel in elegant brush finish
- 600 CFM on 30" and 1,200 CFM internal blower motors (included in vent hood)
- 50 Watt halogen lights (2)
- Stainless steel baffled filters
- Infinite fan speed settings
- All seamless construction
- Power requirements: 120V, 60HZ, 15 Amps
- 6" and 12" duct covers available



### AVAILABLE SIZES



PSVH30



PSVH36



PSVH48



PSVH60

## VENT HOODS

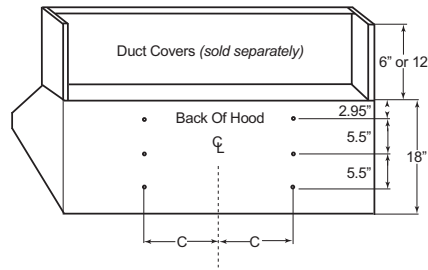
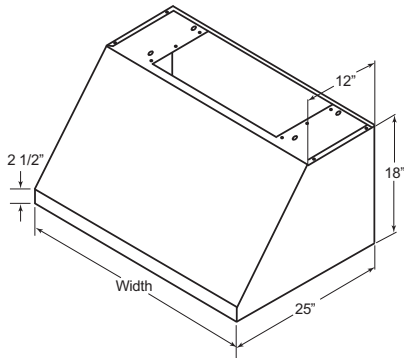
**DELIVERS UNPARALLELED VENTILATION**

### COLOR OPTIONS

All indoor appliances from Capital Cooking are available in a timeless stainless steel, 10 standard colors, as well as 206 custom RAL colors.



### CUTOUT DIMENSIONS



Model Number	PSVH24	PSVH30	PSVH36	PSVH48	PSVH60
Shipping Weight	94 lbs.	100 lbs.	115 lbs.	156 lbs.	190 lbs.
CFM	600	600	1200	1200	1200
Dimension "C"	9"	9"	9"	11.5"	11.5"
Circuit Breaker Required	15 Amp (All Models)				
Electrical	120 VAC, 60 Hz (All Models)				
6" Duct Cover: PS6DCxx (xx = width)					
12" Duct Cover: PS12DCxx (xx = width)					