

PU64ES



Product family	Cooktop
Installation	Standard
Dimensions	24"
Power supply	Mixed
Type	Gas
EAN code	8017709185008



Aesthetic



Aesthetics	Piano Design
Color	Stainless steel
Finishing	Glossy
Material	Stainless steel
Stainless steel type	Polished
Grates	Stainless steel
Pan stand coating	EverShine
Burners	Piano Design
Burners material	Stainless steel
Burner coating	EverShine
Control setting type	Control knobs
Controls position	Front
No. of controls	4
Controls color	Stainless steel effect

Programs / Functions

Cooking zones	4
Burners	4

Options



Standard cut-out	478-482x555-560 mm
------------------	--------------------

Technical Features

Front-right - Gas - AUX - 1.05 kW - 3500 BTU
 Rear-right - Rapid - 3.00 kW - 10000 BTU
 Rear-left - Gas - Rapid - 2.30 kW - 8000 BTU
 Front-left - Gas - Semi-rapid - 1.65 kW - 5500 BTU

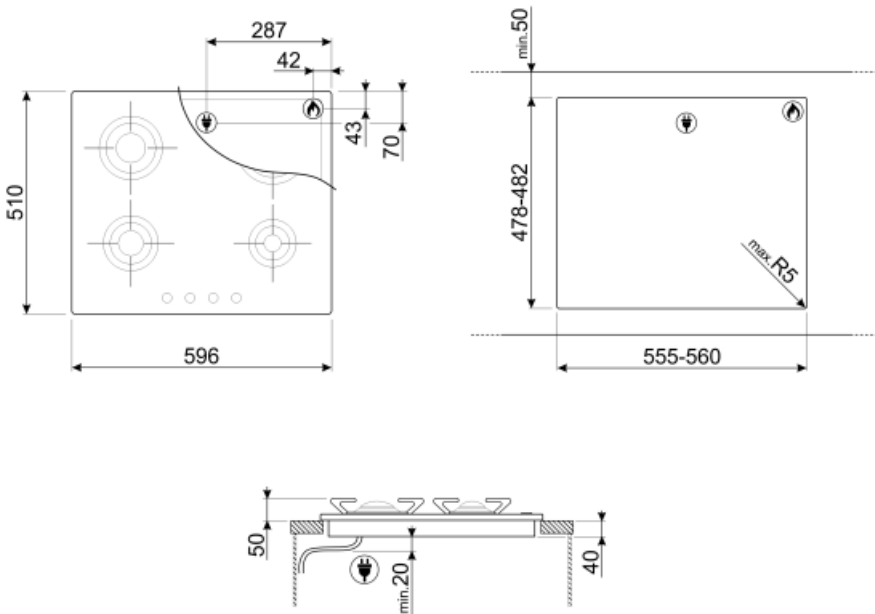
Gas safety valves	Yes	Automatic Ignition	Yes
--------------------------	-----	---------------------------	-----

Electrical Connection

Nominal power	1 W	Power cord length	47 1/4 "
Voltage	120 V	Terminal box	3 poles
Electric cable type	Single phase	Plug	B
Frequency	60 Hz		

Gas Connection

Gas Type	G20 Natural gas	Other gas nozzles included	G30 LPG liquid gas
Gas connection	Cylindric		



Symbols glossary (TT)



Standard installation: Traditional installation in tabletop, suitable for any kitchen sets



CUT_OUT_STANDARD_72dpi



Ever Shine: is an invisible coating that makes the effected area highly resistant to heat.



Knobs control