



10 CU. FT. Refrigerator - User Manual
Refrigerador de 10 Pies Cúbicos - Manual de usuario
Réfrigérateur de 10 Pieds Cubes - Manuel de l'utilisateur

Models:

RA-2106W - White/Blanco/Blanc

RA-2106K - Black/Negro/Noir

RA-2106SL - Stainless Look/Acero Inoxidable/Acier Inoxydable



www.impecca.com

TABLE OF CONTENTS

Important Safety Instructions.....	3
Getting Started.....	4
Installing Your Appliance.....	4
Unit Diagram.....	5
Door Handle Installation.....	5
Door Swing Reversal (Optional).....	5
Operation.....	8
Care and maintenance.....	8
Troubleshooting.....	9
Customer Support.....	10
ONE-YEAR LIMITED APPLIANCE WARRANTY (US).....	11
SPANISH.....	12
FRENCH.....	22

ENGLISH
ESPAÑOL
FRANÇAIS

IMPORTANT SAFETY INSTRUCTIONS

PLEASE SAVE THESE INSTRUCTIONS. YOU MAY NEED THEM IN THE FUTURE.

1. This refrigerator must be properly installed and located in accordance with the Installation Instructions before it is used.
2. Do not allow children to climb, stand or hang on the shelves in the refrigerator. They could damage the refrigerator and seriously injure themselves.
3. Do not store or use gasoline or other flammable vapors and liquids in the vicinity of this or any other appliance.
4. Keep fingers out of the space between the doors and cabinet. Be careful closing doors when children are in the area.
5. In refrigerators with automatic ice makers, avoid contact with the moving parts of the ejector mechanism, or with the heating element that releases the cubes. Do not place fingers or hands near or on the automatic ice-making mechanism while the refrigerator is plugged in.
6. Unplug the refrigerator before cleaning and making repairs.
7. We strongly recommend that any servicing be performed by a qualified individual.
8. Turning the temperature control dial to the "0" position stops cooling but does not shut off power to the refrigerator.
9. Do not leave refrigerator in extremely cold or warm temperatures.
10. Do not place refrigerator near heat sources or open flames.
11. Clean the refrigerator with a soft, damp cloth. Remove stains with a mild soap. Do not clean the unit with industrial grade solvents, or abrasive chemicals.
12. Do not place heavy items on top of the refrigerator.
13. Never install the refrigerator where there is a lot of moisture or in areas where water can splash.
14. Do not allow children to hang on the doors; the refrigerator may be tip over and hurt children.
15. Never eat food that may have spoiled because it was stored too long in the refrigerator or was stored in an out-of-order refrigerator.
16. Do not use sharp tools inside the refrigerator (such as an ice pick to remove ice) as damage may occur.
17. If not using for a long period of time, remove all food from the refrigerator and unplug the unit.
18. Before connecting the unit to the power source, let it stand upright for approximately 24 hours. This will reduce the possibility of a malfunction in the cooling system due to any handling during shipment.

BEFORE DISCARDING YOUR OLD REFRIGERATOR

Your old refrigerator may have a cooling system that used CFCs (chlorofluorocarbons) or HCFCs (hydrochlorofluorocarbons). CFCs and HCFCs are believed to harm stratospheric ozone if released to the atmosphere. If you are going to throw away your old refrigerator, make sure the refrigerant is removed for proper disposal by a qualified technician. Check with your retailer to find out if they'll take away and responsibly dispose of or recycle your old refrigerator.

For more information on Responsible Appliance Disposal see: <https://www.epa.gov/rad>

CHILD ENTRAPMENT WARNING

Risk of child entrapment. Before you throw away your old refrigerator or freezer:

1. Take off the doors.
2. Leave the shelves in place so that children may not easily climb inside.

CAUTION: USE OF AN EXTENSION CORD IS NOT RECOMMENDED.

FOR HOUSEHOLD USE ONLY SAVE THESE INSTRUCTIONS

GETTING STARTED

Thank you for purchasing this Impecca 10 Cubic Foot Refrigerator. Please follow these operating instructions carefully. Keep these instructions in a safe place and consult them as needed.

Note: All images in this instruction manual are for indication only; the physical appearance and options on your model may vary.

SERIAL AND MODEL NUMBER

Please record your model number and serial number below. You can find the number plate in the upper-left wall inside the refrigerator.

Model Number: _____

Serial Number: _____

Date of Purchase: _____

SAFETY NOTICES

This appliance is intended to be used in household and similar applications such as:

- Staff kitchen areas in shops, offices and other working environments
- Individual use in hotel rooms and other residential type environments

INSTALLING YOUR APPLIANCE

LOCATION

When selecting a position for your unit, ensure the floor is a flat, level surface and the room is well ventilated. Avoid locating your unit near a heat source, such as an oven, stove top, boiler, or radiator. Also avoid direct sunlight as it may increase the electrical consumption.

Extremely cold ambient temperatures may also prevent the unit from operating effectively. This unit is not designed for use in a garage or outdoor installation. Do not place any covering such as a drape or sheet on the unit.

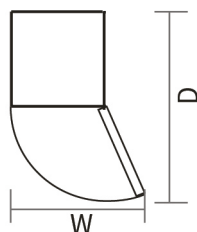
When installing the unit, ensure that a minimum of 2 inches of free space is left at both sides and in the rear, and 1 inch at the top of the unit. This will allow cold air to circulate around the refrigerator and improve the efficiency of the cooling process.

The refrigerating system in this refrigerator is a "Frost Free" system. This type of system requires no user intervention (i.e. defrosting) other than selecting required cooling temperatures and the usual care and maintenance.

This unit is a FREE-STANDING INSTALLATION ONLY, and is NOT intended to be built-in.

The unit's door must be able to open fully as shown.

W×D ≥ 50.8 inches × 58.5 inches



LEVELING THE UNIT

It is very important to keep the unit level, so that the door will close properly and prevent problems that will cause effective cooling to fail. To level the unit, turn the two adjustable feet clockwise or counterclockwise to respectively raise or lower the corner.

Note: *If the unit is not level, the door and magnetic seal alignments will not be covered properly.*

Install this appliance in an area where the ambient temperature is between 55°F (13°C) and 110°F (43°C). If the temperature around the appliance is too low or high, cooling ability may be affected.

CLEANING BEFORE USE

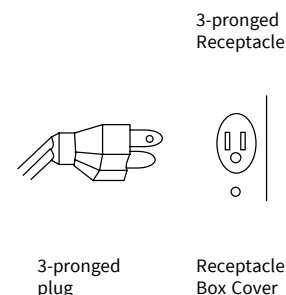
Wipe the inside of the unit with a weak solution of baking soda (bicarbonate). Then rinse with warm water using a damp sponge or cloth. Wash the shelves and bins in warm soapy water and dry completely before putting back in the unit. Clean the exterior of the unit with a damp cloth.

GROUNDING INSTRUCTIONS

This appliance must be grounded. The refrigerator must be plugged into its own dedicated 115 Volt electrical outlet. Performance may be affected if the voltage varies by 10% or more. Operating the refrigerator with insufficient power can damage the compressor. Such damage is not covered under your warranty. The power cord of the appliance is equipped with a three-prong grounding plug for your protection against electrical shock hazards. It must be plugged directly into a properly grounded three prong receptacle. The receptacle must be installed in accordance with local codes and ordinances. Do not use an extension cord or adapter plug. You must make sure all three prongs are in a 3-pronged outlet (see figure).

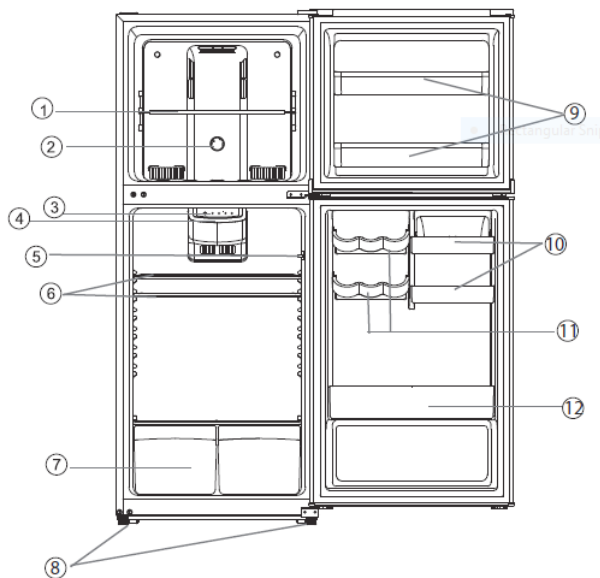
WARNING: Improper use of the grounding plug can result in a risk of electric shock. Consult a qualified electrician or service person if the grounding instructions are not completely understood, or if doubt exists as to whether the appliance is properly grounded.

When using a 3-pronged outlet



UNIT DIAGRAM

1. Freezer Shelf
2. Freezer Temperature Control Panel
3. Adjustable Temperature Control
4. Interior Light
5. Light Switch
6. Full-Width Glass Shelves
7. Clear Crisper
8. Leveling Legs
9. Freezer Door Bins
10. Small Door Bins
11. Can Storage
12. Large Door Bins

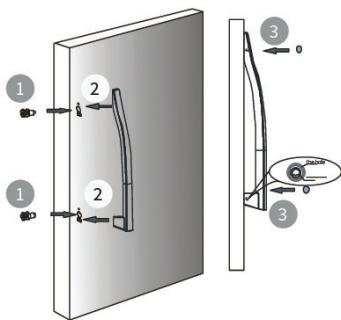


Note: Above picture is for reference only. The actual appliance may be slightly different.

DOOR HANDLE INSTALLATION (not applicable for

all models)

The refrigerator must be disconnected before attempting the installation of door handles.



Step 1: Install the two Phillips head screws into the door holes and turn screws until fully in place.

Step 2: Position the door handle on the screws installed in Step 1.

Step 3: Install screws at the hole located on the side of the handle and turn screws until completely tight. Install screw caps as shown in the figure above.

DOOR SWING REVERSAL (OPTIONAL)

It is advised that you determine if you need to reverse the door swing and complete this procedure prior to installing and turning on your refrigerator.

Note: These instructions are for changing the hinges from the right side to the left side. If you wish to change the hinges back to the right side, follow these same instructions and reverse all references to left and right.

CAUTION!! TO AVOID INJURY TO YOURSELF AND/OR PROPERTY, WE RECOMMEND SOMEONE ASSIST YOU DURING THE DOOR REVERSAL PROCESS.

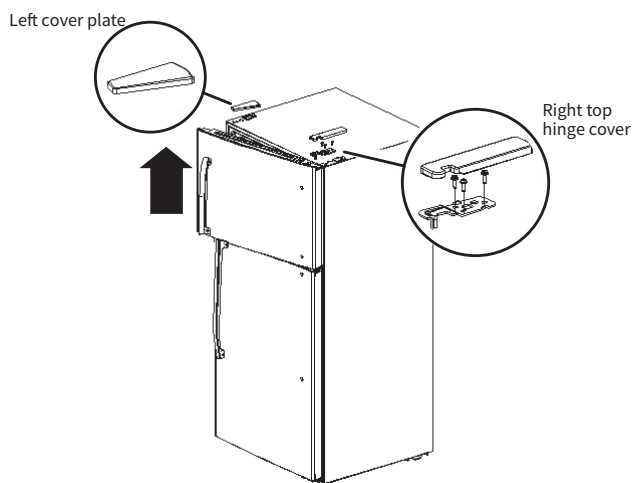
- Ensure the appliance is unplugged and empty.
- Adjust the two leveling feet to their highest position.
- Have something solid against which to rest the appliance. This will be necessary when it comes to taking off the door.
- Avoid laying the refrigerator completely flat on its back as this may damage the cooling system.

TOOLS REQUIRED

- Phillips screwdriver
- Allen key wrench
- Flathead screwdriver

STEP 1: REMOVE THE FREEZER DOOR

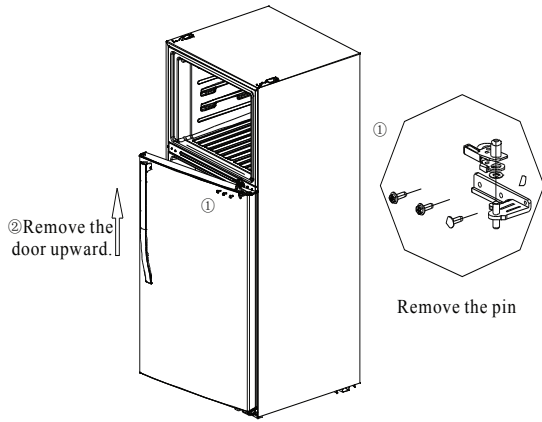
Using a flathead screwdriver, gently pry and lift the right top hinge cover and the left cover plate. Using a Phillip's screwdriver, unscrew the screws of the right top hinge. Remove the upper hinge. Raise the freezer door upward to detach.



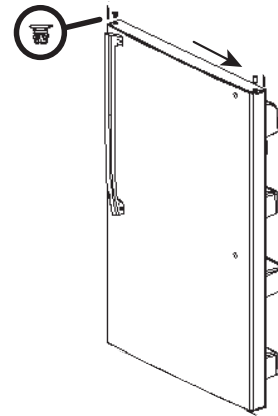
STEP 2: REMOVE THE REFRIGERATOR DOOR

Unscrew the three screws holding the center hinge with a Phil-

lip's screwdriver. Remove the hinge and save the screws and hinge. Raise the refrigerator door upward, as shown.



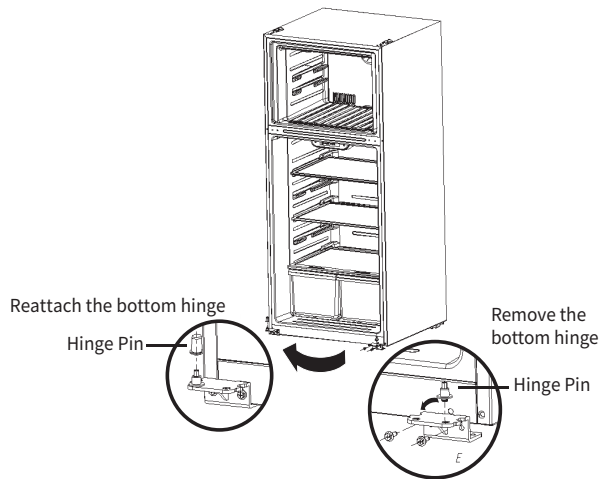
Remove the hole plug from the top left of the refrigerator door and insert it in the top right side of the refrigerator door.



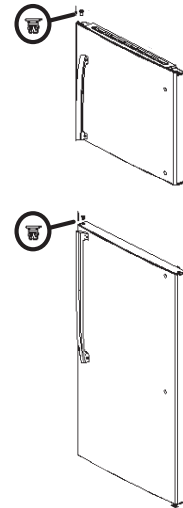
STEP 3: REPLACING THE BOTTOM HINGE

Unscrew the two screws holding the bottom hinge and remove the bottom hinge from the bottom right side of the refrigerator.

Unscrew the hinge pin from the right side of the bottom hinge and move it to the left side of the refrigerator. Secure the bottom hinge to the bottom left side of the refrigerator using the screws you removed previously.

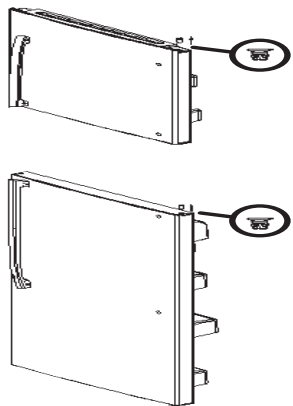


Insert the plastic hole plugs into the left sides of the freezer and refrigerator doors.



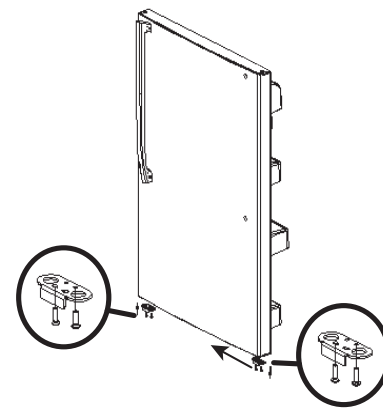
STEP 4: REFITTING THE DOOR HARDWARE

Remove the plastic bushing from the top right side of the freezer and cold storage doors.

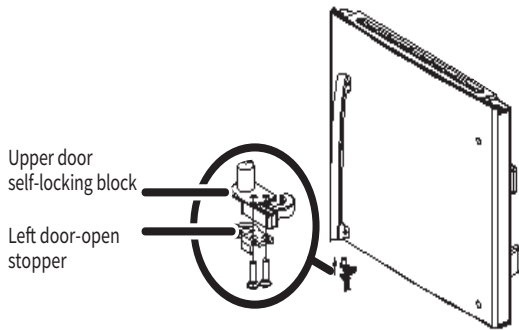


STEP 5: REINSTALLING THE REFRIGERATOR DOOR

Remove the door block from the bottom right side of the cold storage door and attach it to the left side of the door.



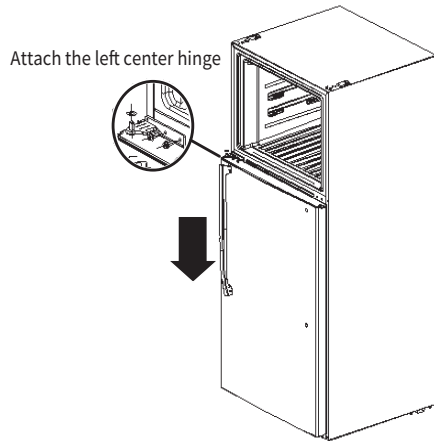
Attach the left upper door self-locking block and the left door-open stopper to the left side of the freezer door.



Remove the right upper door self-locking block and the right door-open stopper. Store in a safe place in case you need to reverse the door position again.

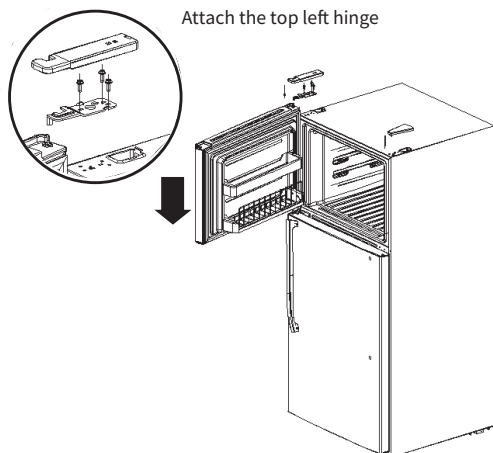
Remove the two hole caps from the left side, where the center hinge will go, and insert them into the right side.

Attach the refrigerator door on the bottom hinge and then attach the left center hinge to the left side of the refrigerator.



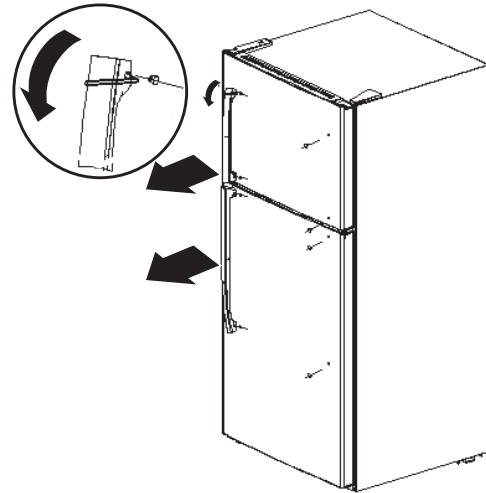
STEP 6: REINSTALLING THE FREEZER DOOR

Put the freezer door onto the left center hinge and then attach the top left hinge to the top of the refrigerator. Cover the hinge with the top left hinge cover and cover the screw holes on the right side of the top with the cover plate (removed in a previous step).



STEP 7: REMOVING DOOR HANDLES

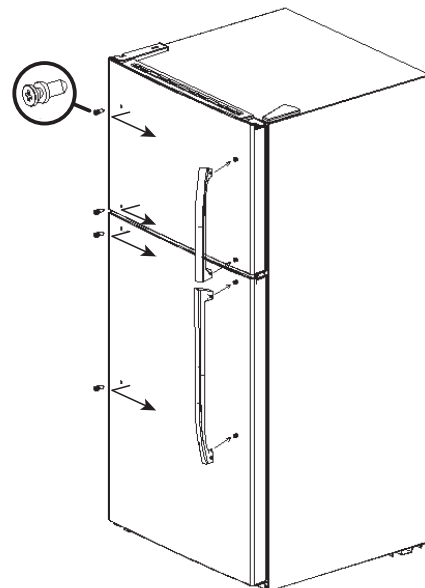
Remove the screw caps on the door handles. Use an Allen wrench to remove the four Allen-screws securing the handles to the left side of the freezer and refrigerator doors. Remove the handles.



STEP 8: REINSTALLING THE DOOR HANDLES

Remove the four Phillips-head screws from the left side of the freezer and refrigerator doors. Screw the four Phillips-head screws into the holes on the right side of the freezer and refrigerator doors.

Attach the handles to the right side of the freezer and refrigerator doors with the Allen-head screws removed in a previous step. Tighten with the Allen wrench and replace the screw caps.



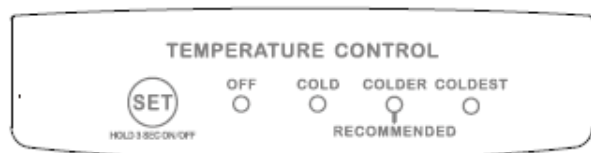
STEP 9: REFITTING HOLE PLUGS AND HANDLE CAPS

Replace all handle hole plugs into the remaining holes on the left side. Refit the handle caps onto the ends of handles to cover screw holes.

OPERATION

REFRIGERATOR TEMPERATURE CONTROL

Your refrigerator will automatically maintain the temperature level you select. The temperature control has 3 settings. COLD is the warmest setting, COLDEST is the coldest setting.



The temperature setting is cycle change among COLD, COLDER and COLDEST, when you push the SET button. At first, set the panel to the COLDER indicator marking (middle setting), and allow 24 hours to pass before adjusting the temperature to your need.

The power will be switched off after pressing SET button for 3 second, and the OFF indication light will be on. To switch the power on, press the SET button for another 3 seconds.

NOTE: If the refrigerator has been placed in a horizontal or tilted position for any period of time, wait 24 hours before plugging the unit in.

The appliance may not operate at the correct temperature if it is in a particularly hot environment, or if the door is opened too frequently.

Unplugging the unit stops the cooling in both the refrigeration and freezer sections.

NOTE

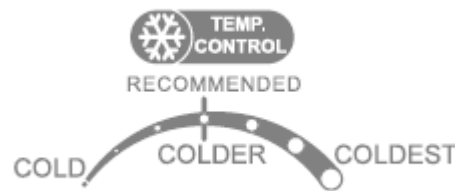
- If the unit is unplugged, you must wait 3 to 5 minutes before restarting the unit (plugging the unit back in). If you attempt to restart before 3 to 5 minutes, the refrigerator will not start.
- If the power goes out, the unit should restart itself when the power comes back on.
- Large amount of food will lower the cooling efficiency of the appliance.
- Do not place food so that it blocks an air vent, and leave adequate space between food items for air flow in the cabinet.
- Allow several hours for temperature to stabilize between two temperature selections.

FREEZER TEMPERATURE CONTROL

- Your refrigerator has one vent control for regulating the temperature in the freezer compartment. The temperature control is located on the center of the freezer compartment's interior back panel.
- The first time you turn the unit on, adjust the temperature control knob to COLDEST and let the unit run for at least 2 hours before putting food inside. This will ensure that the freezer cabinet is thoroughly chilled before food is put in.
- The FREEZER temperature control ranges from COLD (the warmest) to COLDEST (the coldest). Adjust this control to get the desired temperature. The recommended factory setting is COLDER (halfway between COLD and COLDEST).

THE FREEZER COMPARTMENT

- This compartment is designed for the long-term storage of frozen food. Storage time period is up to three months.
- Place frozen food into the freezer as quickly as possible after purchase. If there are instructions on the package, carefully follow these instructions regarding storage times.



CARE AND MAINTENANCE

COOLING SYSTEM

This refrigerator is inclusive of a FROST FREE type cooling system, which means you never have to defrost the freezer compartment. The defrost water is routed into a defrost pan located near the compressor, where it then evaporates.

CLEANING

Before cleaning the refrigerator or freezer, always disconnect the refrigerator from the power supply. To clean the inside, use a soft cloth and a solution of a tablespoon baking soda to one quart (4 cups) of water, or a mild soap suds solution or mild detergent. Wash ice cube tray, drip tray, and glide out shelves in a mild detergent solution, then wipe dry with a soft cloth. Clean the outside with a damp soft cloth and some mild detergent or appliance cleaner.

VACATION TIME

For short vacation periods, leave the control knob at the usual setting. During longer absences:

1. REMOVE ALL FOOD
2. DISCONNECT UNIT FROM ELECTRICAL OUTLET
3. LEAVE THE DOOR OPEN TO AVOID POSSIBLE FORMATIONS OF CONDENSATION, MOLD, OR ODORS

POWER FAILURE

Most power failures are corrected within an hour or two, and will not affect your refrigerator temperatures. However, you should minimize the number times you open the door while the power is off. During power failures of longer duration, take steps to protect your food.

IF YOU MOVE

Remove, or securely fasten down, all loose items inside the refrigerator. To avoid damaging the leveling legs, turn them all the way into the base.

SOME IMPORTANT RULES FOR THE CORRECT USE OF THE REFRIGERATOR

- Never place hot foods in the refrigerator
- Beverages should be stored in sealed containers

- Foods to be stored for a long time should be wrapped in cellophane or polyethylene, or kept in glass containers.
- Never place spoiled food in the refrigerator.
- Don't overload the refrigerator.
- Don't open the door unless necessary.
- Should the refrigerator be stored without use for long periods, it is suggested, after careful cleaning, to leave the door ajar to allow the air to circulate inside the unit in order to avoid the possible formations of condensation, mold, or odors.

FOOD STORAGE SUGGESTIONS

Fresh Food Compartment

- Never cover food compartment shelves with aluminum foil or any other shelf covering material which may prevent air circulation.
- Always remove porous store wrapping paper from meats, poultry, and fish. Meats should be wrapped individually and placed in a dish for storage. Wrap fish and poultry in foil or heavy waxed paper. Most fish should be used the same day of purchase. Packaged meats such as ham, bacon, dried beef, or frankfurter, store best in their original packages.
- Allow warm foods to cool to room temperature before placing them in the refrigerator.
- Always cover open dishes of food, especially leftovers. Use leftovers within 2 or 3 days.

VEGETABLE CRISPER

The tray at the bottom of the refrigerator is covered to retain moisture. The crisper compartment will enable you to store vegetables and fruits which would otherwise dry out rapidly.

LED LIGHTING REPLACEMENT

Do not change the LED light by yourself, please contact an authorized service personnel.

TROUBLESHOOTING

The following simple issues can be handled by the user. Please contact customer support if the issues are not resolved.

PROBLEM	POSSIBLE CAUSE	SOLUTION
Unit does not work.	<ul style="list-style-type: none"> • No power to unit. • Power cord is unplugged. • Wrong voltage is being used. 	<ul style="list-style-type: none"> • Check connection of power cord at power source. • Plug in unit. • Use proper voltage.
Refrigerator running too frequently.	<ul style="list-style-type: none"> • Temperature control too cold. • Door not closed. • Hot food inserted. • Doors open too long/often. • Close proximity to heat source or direct sunlight. 	<ul style="list-style-type: none"> • Check/adjust settings as needed. • Close the door securely. • Cool food before inserting. • Minimize door openings/duration. • DO NOT place unit close to heat sources or in direct sunlight.
Internal temperature too cold.	<ul style="list-style-type: none"> • Temperature set too cold. 	<ul style="list-style-type: none"> • Check/adjust settings as needed.
Internal temperature not cold enough.	<ul style="list-style-type: none"> • No power to unit. • Power cord is unplugged. • Wrong voltage is being used. • Temperature control too warm. • Hot food inserted. • Doors open too long/often. • Air flow obstruction. • Close proximity to heat source or direct sunlight. 	<ul style="list-style-type: none"> • Check connection of power cord at power source. • Plug in unit. • Use proper voltage. • Check/adjust settings as needed. • Cool food before inserting. • Minimize door openings/duration. • Allow room for air to circulate around the unit. • DO NOT place unit close to heat sources or in direct sunlight.

Freezer not cold enough.	<ul style="list-style-type: none"> • Temperature control too warm. • Door not closed. • Hot food inserted. • Doors open too long/often. • Wrong voltage is being used. 	<ul style="list-style-type: none"> • Check/adjust settings as needed. • Close door securely. • Cool food before inserting. • Minimize door openings/ duration. • Use proper voltage.
Light will not work.	<ul style="list-style-type: none"> • No power to unit. • Power cord is unplugged. • Bulb is loose/needs replacing. • Door switch is stuck. 	<ul style="list-style-type: none"> • Check connection of power cord to power source. • Plug in unit. • Tighten or replace bulb. • Check the switch for obstructions, clean if necessary.

Additional notes:

- Condensation may be detected on the exterior surface and door seals of the freezer when the ambient humidity is high. This is a normal phenomenon, and the condensation can be wiped away with a dry towel.
- A slight buzzing noise will be generated by the compressor, especially when starting up or shutting down.

CUSTOMER SUPPORT




Before contacting customer support, please see the trouble- shooting guide above.

Visit our website to contact us, find answers to Frequently Asked Questions, and for other resources which may include an updated version of this user’s manual.

 WWW.IMPECCA.COM

If you wish to contact us by phone, please be sure to have your model number and serial number ready and call us between 9:00am and 6:00pm ET, at +1 866-954-4440.

Keep tabs on Impecca’s newest innovations & enter contests via our social network feeds:

-  www.facebook.com/Impecca/
-  www.instagram.com/impecca/
-  [@impeccausa](https://twitter.com/impeccausa)

ONE-YEAR LIMITED APPLIANCE WARRANTY (US)

Impecca™ warrants this product against defects in material and workmanship to the original purchaser as specified below.

PARTS AND LABOR– if the product is determined to have a manufacturing defect, within a period of one year from the date of the original purchase, Impecca™, at its own discretion, will repair or replace the product parts at no charge to you in the U.S.A.

To obtain warranty service by an authorized Impecca™ service center, please email us at: service@impecca.com to obtain a Repair and Maintenance Authorization (RMA) number and received instructions on how the repair and/or replacement procedure will take place.

Any glass materials included with the appliance will be covered for a period of 60 days from purchase.

Impecca™ specifically excludes from this warranty any non-electric/mechanical attachments, accessories and disposable parts including but not limited to outside case, connecting cables, batteries and AC adapters. Impecca™ reserves the right to repair or replace defective products with the same, equivalent or newer models.

We reserve the right to either repair or replace product at our discretion. Replacement may be either new or refurbished and while every endeavor will be made to ensure it is the same model, if not possible it will be equal or higher specification.

Normal “Wear and Tear” is not covered by this warranty. Further, Impecca™ hereby reserves the right to determine “Wear and Tear” on any and all products. Tampering or opening the product casing or shell will void this warranty in its entirety.

Exclusions: This warranty does not cover the following:

1. Any product that has a defaced or covered serial number.
2. Products that have been transferred to a second owner.
3. Rust on the interior or exterior of the unit.
4. Products listed as “As-Is” or “Refurbished.”
5. Food loss due to any product failure.
6. Window air conditioners installed in a wall.
7. The product if used in a commercial setting.
8. Service calls that do not involve product malfunction.
9. Service calls for a product ruined by not following the provided instructions.

10. Service calls to correct improper installation.
11. Costs associated with making the product accessible for servicing (including but not limited to removal of trim/molding/cabinetry, etc.)
12. Service calls to replace any consumables such as light bulbs, filters, etc.
13. Surcharges that may apply to service calls on weekends, nights, holidays. Damages to the finish of appliance or household furnishings due to installation of appliance.
14. Damages caused by any of the following: Acts of God; fires; misuse; accidents; incorrect power supply; service performed by unauthorized persons; use of non-genuine Impecca parts, etc.

ALL IMPLIED WARRANTIES, INCLUDING IMPLIED WARRANTIES OF MERCHANTABILITY AND FITNESS FOR A PARTICULAR PURPOSE ARE LIMITED IN DURATION TO 1 YEAR FROM THE DATE OF THE ORIGINAL RETAIL PURCHASE OF THIS PRODUCT.

THESE WARRANTIES AND REMEDIES ARE THE SOLE AND EXCLUSIVE WARRANTIES AND REMEDIES IN CONNECTION WITH THE SALE AND USE OF THE PRODUCT. NO OTHER WARRANTIES, ORAL OR WRITTEN, EXPRESSED OR IMPLIED, ARE GIVEN.

IMPECCA™ IS NOT RESPONSIBLE OR LIABLE FOR ANY DAMAGE, WHETHER SPECIAL, INCIDENTAL, CONSEQUENTIAL, DIRECT OR OTHERWISE, OR WHETHER KNOWN OR SHOULD HAVE BEEN KNOWN TO IMPECCA™, INCLUDING LOST PROFITS, GOODWILL, AND PROPERTY AND PERSONAL INJURY RESULTING FROM ANY BREACH OF WARRANTY, THE INABILITY TO USE THE PRODUCT OR UNDER ANY LEGAL THEORY IN CONTRACT OR TORT. IMPECCA LIABILITY IS LIMITED TO THE ACTUAL PURCHASE PRICE PAID TO THE RETAIL SELLER OF THE DEFECTIVE PRODUCT.

No Impecca™ dealer, agent or employee is authorized to make any modification, extension, change or amendment to this warranty without the written consent and authorization from Impecca™.

Some states do not allow the exclusion or limitation of implied warranties or liability for incidental or consequential damages, or do not allow a limitation on how long an implied warranty lasts, so the above limitations or exclusions may not apply to you. This warranty gives you specific legal rights, and you have other rights, which vary from state to state.

Note: Our Warranty center services only to Continental U.S.A.

TABLA DE CONTENIDO

Instrucciones Importantes De Seguridad.....	13
Comenzando.....	14
Instalando Su Electrodoméstico.....	14
Diagrama De La Unidad.....	15
Instalación De La Manija De La Puerta.....	15
Inversión De La Puerta (Opcional).....	15
Operación.....	18
Limpiando Su Electrodoméstico.....	19
Mantenimiento.....	19
Solución De Problemas.....	20
Soporte Al Cliente.....	20
Garantía Limitada Por Un Año.....	21

ENGLISH

ESPAÑOL

FRANÇAIS

GUARDE ESTAS INSTRUCCIONES. PUEDE LLEGAR A NECESITARLAS EN EL FUTURO.

1. Este refrigerador debe instalarse y ubicarse de acuerdo con las instrucciones de instalación antes de ser utilizado.
2. No permita que los niños trepen, se paren o se cuelguen de los entrepaños del refrigerador, pueden dañar el refrigerador y resultar lesionados severamente.
3. No almacene o use gasolina ni otros vapores y líquidos inflamables en las cercanías de este o cualquier otro electrodoméstico.
4. Mantenga los dedos lejos del espacio entre las puertas y el gabinete. Tenga cuidado al cerrar las puertas cuando hay niños en el área.
5. En refrigeradores con fábrica de hielo, evite el contacto con las partes móviles del mecanismo de expulsión, o con el elemento calentador que libera los cubos. No coloque los dedos o manos cerca o sobre el mecanismo automático de fabricación de hielo mientras el refrigerador se encuentre conectado.
6. Desconecte el refrigerador antes de limpiar y hacer reparaciones.
7. Le recomendamos ampliamente que cualquier servicio sea realizado por un técnico calificado.
8. Al colocar la perilla de control de temperatura en la posición "0" se detendrá la función de enfriamiento pero no se apagará el refrigerador.
9. No instale el refrigerador en temperaturas extremadamente frías o calientes.
10. No coloque el refrigerador cerca de fuentes de calor o flamas abiertas.
11. Limpie el refrigerador con un paño suave y húmedo. Elimine las manchas con jabón suave. No limpie la unidad con solventes de tipo industrial o químicos abrasivos.
12. No coloque objetos pesados en la parte superior del refrigerador.
13. Nunca instale el refrigerador donde hay mucha humedad o en áreas donde pueda haber salpicaduras de agua.
14. No permita que los niños se cuelguen de las puertas; el refrigerador puede volcarse y lastimarlos.
15. Nunca coma alimentos que se hayan estropeado por haber estado almacenados demasiado tiempo en el refrigerador o dentro de un refrigerador descompuesto.
16. No utilice herramientas filosas dentro del refrigerador (como un picahielos para retirar el hielo) ya que puede ocasionar daños.
17. Si no va a usar el refrigerador por un periodo de tiempo largo, retire todos los alimentos del refrigerador y desconéctelo.
18. Antes de conectar la unidad a la fuente de energía, déjela reposar en forma vertical por aproximadamente 24 horas. Esto reducirá la posibilidad de un mal funcionamiento en el sistema de enfriamiento debido al manejo durante el envío.

ANTES DE DESHACERSE DE SU REFRIGERADOR VIEJO:

Su antiguo refrigerador puede contar con un sistema de enfriamiento que usaban CFC (clorofluorocarbonos) o HCF (hidroclorofluorocarbonos). Se cree que los CFC y HCF dañan el ozono estratosférico si son liberados a la atmósfera. Si va a desechar su refrigerador viejo, asegúrese de que el refrigerante ha sido eliminado para su desecho adecuado por un técnico calificado. Revise si su vendedor puede llevarse su viejo refrigerador y desecharlo o reciclarlo responsablemente.

Visite www.epa.gov/rad para obtener mayor información sobre la aplicación responsable de desechos.

ADVERTENCIA SOBRE NIÑOS ATRAPADOS

Existe el riesgo de que los niños queden atrapados dentro del refrigerador. Antes de desechar su refrigerador o congelador viejo:

1. Quite las puertas
2. Deje los entrepaños colocados en su lugar para que los niños no puedan meterse fácilmente

PRECAUCIÓN: NO SE RECOMIENDA EL USO DE CABLES DE EXTENSIÓN.

PARA USO DOMÉSTICO ÚNICAMENTE GUARDE ESTAS INSTRUCCIONES

COMENZANDO

Gracias por adquirir este Refrigerador Impeccade 10 Pies Cúbicos. Siga estas instrucciones de operación cuidadosamente. Mantenga estas instrucciones en un lugar seguro para consultarlas cuando lo necesite.

Nota: Todas las imágenes en este manual de usuario se muestran con propósitos indicativos; la apariencia física y opciones de su modelo pueden variar.

NUMERO DE SERIE Y MODELO

A continuación, registre su número de modelo y de serie. Puede encontrar la placa con esta información en la pared superior izquierda dentro del refrigerador.

Número de Modelo: _____

Número de Serie: _____

Fecha de Compra: _____

AVISOS DE SEGURIDAD

Este electrodoméstico está destinado para ser usado en aplicaciones caseras y similares como:

- Cocinetas en tiendas, oficinas y otros ambientes de trabajo
- Uso individual en cuartos de hotel y otro tipo de ambientes residenciales

INSTALANDO SU ELECTRODOMÉSTICO

UBICACIÓN

Al seleccionar un lugar para su unidad asegúrese que la superficie del piso esté nivelada y plana y que la habitación está bien ventilada. Evite ubicar su unidad cerca de una fuente de calor como el horno, estufa, asador o radiador. También evite la luz directa del sol ya que puede incrementar el consumo eléctrico.

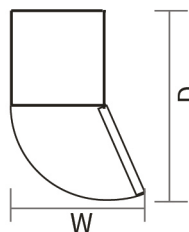
Los ambientes extremadamente fríos también pueden causar que la unidad no funcione adecuadamente. La unidad no está diseñada para utilizarse en una cochera o en exteriores. No coloque ninguna cubierta como una cortina o sábana sobre la unidad.

Cuando instale la unidad asegúrese de que haya un mínimo de 2 pulgadas de espacio libre a ambos lados, izquierda y derecha, y en la parte trasera de la unidad, y 1 pulgadas de espacio libre en la parte superior de la unidad. Esto permitirá que el aire fresco circule alrededor del refrigerador y mejore la eficiencia del proceso de enfriamiento.

El sistema refrigerante de este refrigerador es un sistema "Libre de escarcha". Este tipo de sistema no necesita de la intervención del usuario (por ejemplo, descongelar) más que para seleccionar la temperatura de enfriamiento requerida.

La puerta de la unidad debe poder abrirse totalmente como se muestra:

$W \times D \geq 130 \text{ cm} \times 149 \text{ cm}$



NIVELANDO LA UNIDAD

Es muy importante mantener nivelada la unidad, de modo que la puerta cierre adecuadamente y evitar problemas que causen que falle el enfriamiento efectivo. Para nivelar la unidad gire las dos patas al frente del refrigerador ya sea en la dirección de las manecillas del reloj o en sentido contrario de las manecillas del reloj para levantar o bajar el refrigerador.

Nota: Si la unidad no está nivelada, la puerta y el sello magnético no funcionarán adecuadamente.

Instale este electrodoméstico en un área donde la temperatura ambiente esté entre 55 °F (13 °C) y 110 °F (43 °C). Si la temperatura alrededor del artefacto es demasiado baja o alta, la capacidad de enfriamiento puede verse afectada.

LIMPIANDO ANTES DE USARLO

Limpie la parte interior de la unidad con una solución ligera de bicarbonato y agua. Luego enjuague con agua tibia utilizando una esponja o trapo húmedo. Lave los entrepaños y cajones con agua jabonosa tibia y seque completamente antes de colocarlos dentro de la unidad. Limpie la parte externa de la unidad con un trapo húmedo.

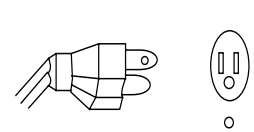
INSTRUCCIONES DE CONEXIÓN A TIERRA

Este electrodoméstico debe estar conectado a tierra. El refrigerador debe estar conectado a un tomacorrientes dedicado de 115 Voltios. El desempeño puede verse afectado si el voltaje varía en un 10% o más. La operación del refrigerador con energía insuficiente puede dañar el compresor. Este daño no está cubierto por la garantía. El cable de suministro de energía del electrodoméstico está equipado con una clavija que tiene una tercera pata de conexión a tierra para su protección en contra de descargas. Debe estar conectado directamente a un tomacorrientes con tres orificios adecuadamente conectado a tierra. El tomacorrientes debe estar instalado de acuerdo con los códigos y ordenanzas locales. No utilice un cable de extensión o adaptador. Debe asegurarse que la clavija de tres patas esté conectada a un tomacorrientes con tres entradas (ver figura)

ADVERTENCIA: El uso inadecuado de la conexión a tierra puede resultar en la posibilidad de una descarga eléctrica. Consulte con un electricista calificado o personal de servicio si no ha comprendido bien las instrucciones de conexión a tierra o si tiene dudas sobre si el electrodoméstico está adecuadamente conectado a tierra.

Usando un tomacorrientes de 3 orificios

Tomacorrientes de 3 orificios

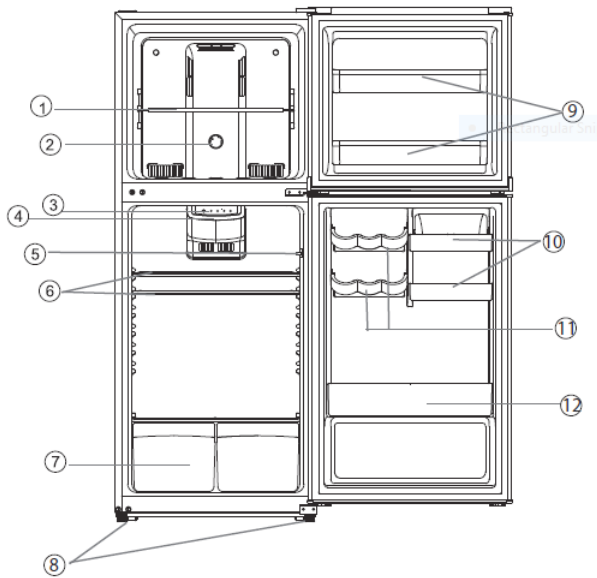


Clavija con 3 patas

Tapa del tomacorrientes

DIAGRAMA DE LA UNIDAD

1. Entrepañó del congelador
2. Panel de control de temperatura del congelador
3. Control ajustable de temperatura
4. Luz interior
5. Interruptor de luz
6. Entrepaños de vidrio a todo lo ancho
7. Cajones transparentes para verduras
8. Patas niveladoras
9. Contenedores de las puertas del congelador
10. Congeladores pequeños de las puertas
11. Almacenamiento de latas
12. Contenedores grandes de las puertas

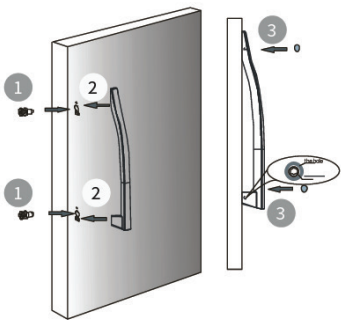


Nota: La imagen anterior es sólo para referencia. La apariencia actual puede ser ligeramente diferente.

INSTALACIÓN DE LA MANIJA DE LA PUERTA

(no aplicable para todos los modelos)

El refrigerador debe estar desconectado antes de intentar la instalación de la manija de la puerta.



Paso 1: Instale los dos tornillos de cruz (Phillips) en los orificio de la puerta y atorníllelos totalmente en su lugar.

Paso 2: Coloque la manija en los dos tornillos instalados en el paso 1.

Paso 3: Instale los tornillos en los orificios localizados en el lado de la manija y atornille hasta que estén bien apretados. Instale las tapas de los tornillos como se muestra en la figura anterior.

INVERSIÓN DEL GIRO LA PUERTA (OPCIONAL)

Se le aconseja que determine si necesita invertir el giro de la puerta y que realice este procedimiento antes de instalar y poner en funcionamiento su refrigerador.

Nota: Estas instrucciones son para cambiar las bisagras del lado derecho al izquierdo. Si después desea regresar las bisagras al lado derecho, siga estas mismas instrucciones invirtiendo todas las referencias a la derecha e izquierda.

¡PRECAUCIÓN! Para evitar daños en su persona y/o su propiedad, le recomendamos que alguien la ayude durante este proceso de inversión de la puerta.

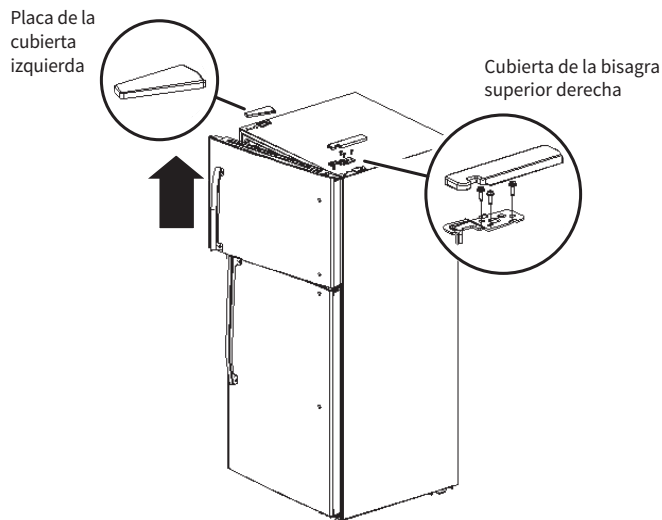
- Asegúrese de que el electrodoméstico está vacío y desconectado.
- Ajuste las dos patas niveladoras a su posición más alta
- Tenga algo sólido sobre el cual pueda recargar el electrodoméstico. Esto será necesario cuando deba quitar la puerta
- Evite recargar el refrigerador totalmente de costado (en forma totalmente horizontal) ya que esto dañará el sistema de enfriamiento.

HERRAMIENTAS REQUERIDAS:

- Destornillador Philips
- Llave Allen
- Destornillador de cabeza plana

PASO 1: RETIRE LA PUERTA DEL CONGELADOR

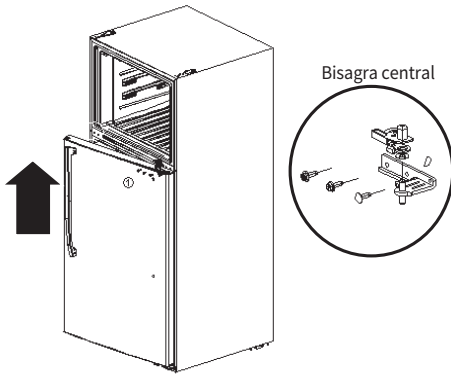
Utilizando un destornillador de cabeza plana, haga palanca y levante la cubierta de la bisagra del lado derecho y la placa de la cubierta del lado izquierdo. Utilizando un destornillador Phillips desatornille los tornillos de la bisagra del lado derecho. Retire la bisagra superior. Levante la puerta del congelador hacia arriba para separarla del refrigerador.



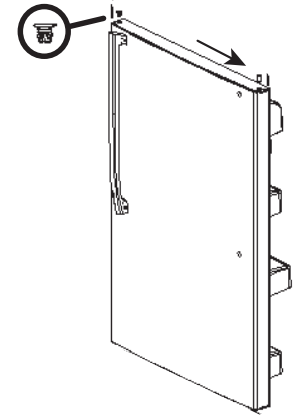
PASO 2: RETIRE LA PUERTA DEL REFRIGERADOR

Con un destornillador Phillips desatornille los tres tornillos que sos-

tienen la bisagra central. Retire la bisagra y guarde los tornillos y bisagra. Levante hacia arriba la puerta del refrigerador, como se muestra.



gerador.

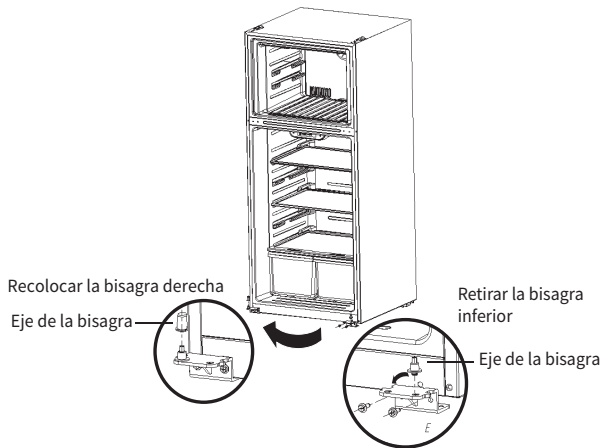
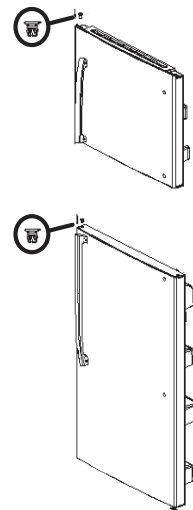


Inserte los casquillos de plástico en el lado izquierdo de las puertas del congelador y del refrigerador.

PASO 3: COLOCANDO LA BISAGRA INFERIOR

Desatornille los dos tornillos que sostienen la bisagra inferior y retírela de la parte derecha del refrigerador.

Desatornille el eje de la bisagra del lado derecho de la bisagra inferior y muévela al lado izquierdo del refrigerador. Asegure la bisagra inferior a la parte inferior izquierda del refrigerador usando los tornillos que retiró previamente.

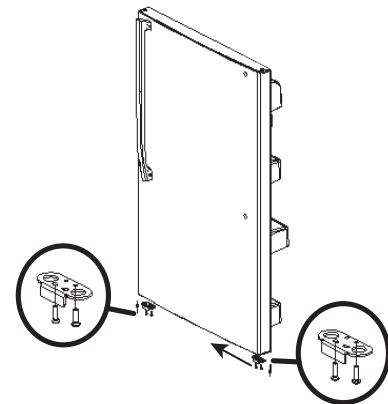
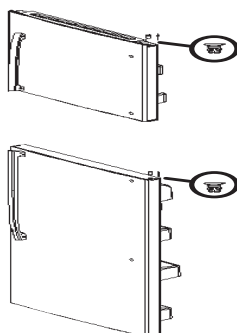


PASO 5: REINSTALANDO LA PUERTA DEL REFRIGERADOR

Retire el bloque de la puerta de la parte inferior derecha de la puerta del refrigerador e insértela en el lado izquierdo de la puerta.

PASO 4: REPOSICIONAMIENTO DE LAS PIECAS DE LA PUERTA

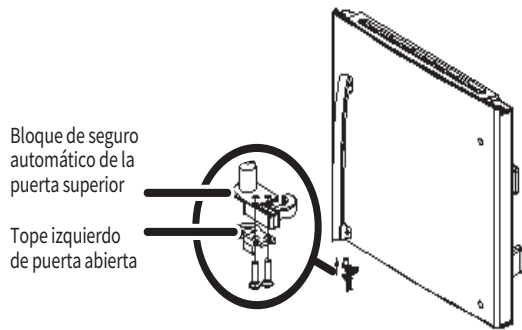
Retire los casquillos de plástico de la parte superior derecha de las puertas del congelador y del refrigerador.



Retire la tapa del orificio de la parte superior izquierda de la puerta del refrigerador e insértela del lado derecho de la puerta del refri-

Coloque el bloque del seguro automático de la puerta superior iz-

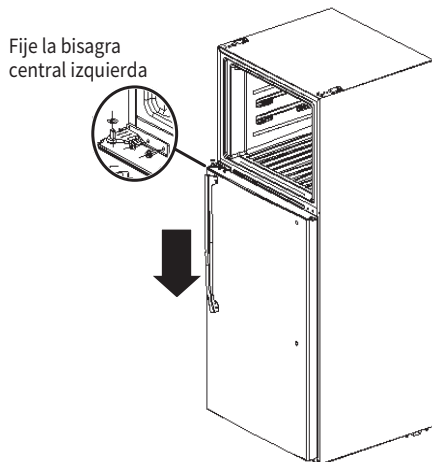
quiera y el tope de puerta abierta de la puerta derecha en la parte izquierda de la puerta del congelador.



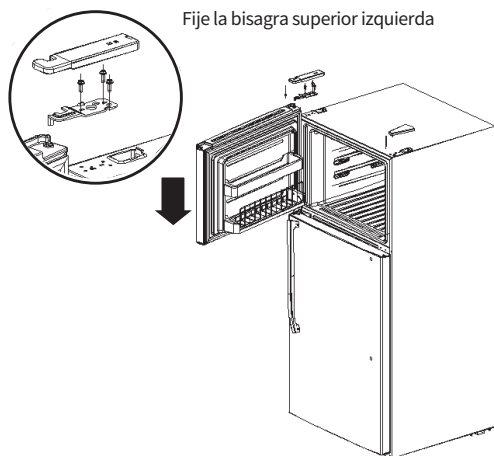
Retire el bloque del seguro automático de la parte superior de la puerta derecha y el tope de puerta abierta de la puerta derecha. Guárdelos en un lugar seguro por si necesita volver a invertir la puerta.

Retire las dos tapas de los orificios del lado izquierdo donde irá la bisagra central e insértelos en el lado derecho.

Fije la puerta del refrigerador en la bisagra inferior y después fije la bisagra central en la parte izquierda del refrigerador.



PASO 6: REINSTALANDO LA PUERTA DEL CONGELADOR

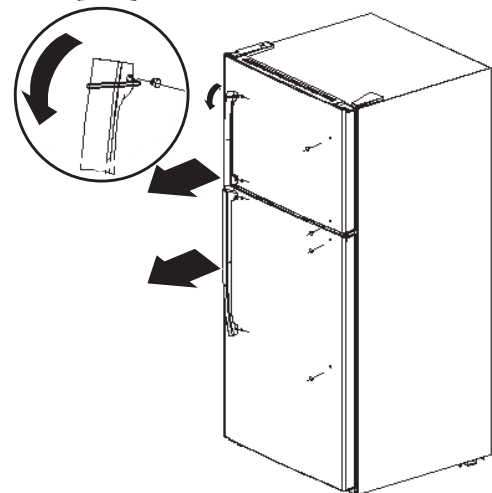


Coloque la puerta del congelador en la bisagra central y después fije la bisagra superior izquierda a la parte superior de la unidad. Cubra la bisagra con la cubierta de la bisagra superior izquierda y

cubra los orificios de los tornillos de la parte superior con la placa de la cubierta (que retiró en un paso previo).

PASO 7: RETIRANDO LAS MANIJAS DE LAS PUERTAS

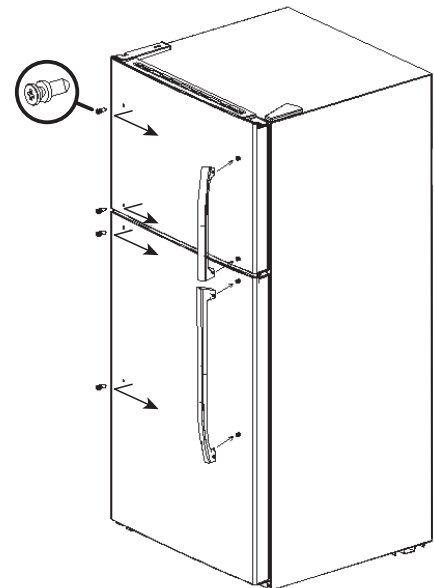
Retire las tapas de los tornillos de las manijas de las puertas. Utilice una llave Allen para retirar los cuatro tornillos Allen que aseguran las manijas en el lado izquierdo de las puertas del congelador y refrigerador. Retire las manijas.



PASO 8: REINSTALANDO LAS MANIJAS DE LAS PUERTAS

Retire los cuatro tornillos de cabeza Phillips del lado izquierdo de las puertas del congelador y del refrigerador.

Fije las manijas al lado derecho de las puertas del congelador y refrigerador con los tornillos de cabeza Allen que retiró en el paso anterior. Apriete con la llave Allen y coloque las tapas de los tornillos.



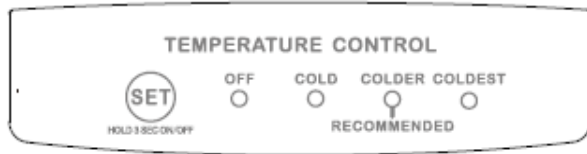
PASO 9: REPOSICIONAMIENTO DE LOS TAPONES DE LOS ORIFICIOS Y DE LAS TAPAS DE LAS MANIJAS

Coloque todos los tapones de los orificios en los orificios restantes en el lado izquierdo. Coloque las tapas en los extremos de las manijas para cubrir los tornillos.

OPERACIÓN

CONTROL DE TEMPERATURA DEL REFRIGERADOR

Automáticamente, su refrigerador mantendrá el nivel de temperatura que usted seleccione. El control de temperatura tiene 3 ajustes. COLD (FRÍO) es el ajuste menos frío y COLDEST (LO MÁS FRÍO) es el ajuste más frío.



El ajuste de temperatura es a través de un ciclo que cambia entre COLD (FRÍO), COLDER (MÁS FRÍO), COLDEST (LO MÁS FRÍO) cada vez que usted presione el botón SET. Inicialmente, ajuste el panel en el indicador COLDER (el ajuste de en medio), y permita que pasen 24 horas antes de ajustar la temperatura a su gusto.

El refrigerador se apagará después de presionar el botón SET durante 3 segundos y la luz indicadora OFF se encenderá. Para volver a encender el refrigerador presione el botón SET durante tres segundos.

NOTA: Si el refrigerador ha sido inclinado o colocado en posición horizontal por cualquier periodo de tiempo, espere 24 horas antes de volver a conectarlo.

Este electrodoméstico puede no operar a la temperatura correcta si se encuentra instalado en un ambiente demasiado caliente, o si la puerta se abre con frecuencia.

Al desconectar la unidad, se detiene el enfriamiento en las secciones del congelador y refrigerador.

TOME EN CUENTA QUE

- Si la unidad es desconectada, debe esperar de 3 a 5 minutos antes de volver a conectarla. Si intenta conectarla antes de este tiempo, el refrigerador puede no funcionar.
- Si se interrumpe el suministro de energía, la unidad debe encenderse nuevamente cuando el suministro de energía se restablezca.
- Una gran cantidad de comida disminuirá la eficiencia de enfriamiento del electrodoméstico.
- No coloque alimentos que bloqueen las ventilas de aire y deje un espacio adecuado entre los alimentos para que el aire fluya en el gabinete.
- Espere varias horas para que se establezca la temperatura entre dos selecciones de temperatura

CONTROL DE TEMPERATURA DEL CONGELADOR

- Su refrigerador tiene un control de ventilación para regular la temperatura en el compartimento del congelador. El control de temperatura está colocado al centro del panel posterior al interior del compartimento del congelador.
- La primera vez que encienda la unidad, ajuste el control de

temperatura a COLDEST y deje la unidad funcionando al menos 2 horas antes de colocar alimentos adentro. Esto asegurará que el gabinete del congelador esté completamente frío antes de colocar alimentos adentro.

- El control de temperatura del CONGELADOR varía de COLD (FRÍO) a COLDEST (LO MÁS FRÍO). Ajuste este control a la temperatura deseada. El ajuste de fábrica recomendado es COLDER (MÁS FRÍO) (entre COLD y COLDEST).



COMPARTIMENTO DEL CONGELADOR

- Este compartimento está diseñado para almacenamiento de alimentos congelados a largo plazo. El tiempo de almacenamiento es de hasta tres meses.
- Coloque los alimentos congelados en el congelador lo más pronto posible después de comprarlos. Si hay instrucciones en el empaque, siga cuidadosamente las instrucciones concernientes al tiempo de almacenamiento.

CUIDADOS Y MANTENIMIENTO

SISTEMA DE ENFRIAMIENTO

Este refrigerador cuenta con un sistema de enfriamiento LIBRE DE ESCARCHA, lo que significa que nunca deberá de descongelar el compartimento del congelador. El agua de deshielo es guiada a una charola de deshielo localizada cerca del compresor, donde luego se evaporará.

LIMPIEZA

Antes de limpiar el refrigerador o congelador, SIEMPRE desconecte el refrigerador del suministro de energía. Para limpiar el interior, utilice un paño suave y una solución con una cucharada de bicarbonato por cada cuatro tazas de agua, o una solución jabonosa con jabón o detergente suave. Luego limpie hasta secar con un paño suave. Limpie el exterior con un paño suave húmedo y un poco de detergente suave o limpiador de electrodomésticos.

TEMPORADA DE VACACIONES

Para periodos cortos de vacaciones, deje la perilla de control en el ajuste usual. Para ausencias más largas:

1. RETIRE TODOS LOS ALIMENTOS
2. DESCONECTA LA UNIDAD DEL SUMINISTRO ELÉCTRICO
3. DEJE LA PUERTA ABIERTA PARA EVITAR POSIBLES FORMACIONES DE CONDENSACIÓN, MOHO U OLORES

FALLA DEL SUMINISTRO DE ENERGÍA

La mayoría de las fallas del suministro de energía se corrigen después de una o dos horas, y no afectarán la temperatura del refrigerador. Sin embargo, debe minimizar las veces en que abra la puerta del refrigerador cuando no hay suministro de energía. Durante apa-

gones muy prolongados, tome las medidas necesarias para proteger sus alimentos.

SI SE MUDA

Retire o asegure todos los artículos sueltos dentro del refrigerador. Para evitar daños a las patas niveladoras, gírelas hasta insertarlas completamente dentro de la base.

ALGUNAS REGLAS IMPORTANTES PARA EL USO CORRECTO DEL REFRIGERADOR

- Nunca coloque alimentos calientes dentro del refrigerador
- Las bebidas deben almacenarse en contenedores sellados
- Los alimentos que van a estar almacenados por largo tiempo deben envolverse en celofán o polietileno o en contenedores de vidrio.
- Nunca guarde alimentos echados a perder en el refrigerador
- No sobrellene el refrigerador
- No abra las puertas a menos que sea necesario
- Si el refrigerador debe almacenarse sin estarlo usando por periodos largos, se sugiere, después de una limpieza a conciencia, dejar la puerta abierta para dejar que el aire circule dentro de la unidad para evitar posibles formaciones de condensación, moho u olores.

SUGERENCIA PARA ALMACENAR ALIMENTOS

Compartimento de alimentos frescos

- Nunca cubra los entrepaños del compartimento de alimentos con papel aluminio y otros materiales para cubrir ya que pueden evitar que el aire circule
- Siempre retire el papel de envolver poroso de la carne, pollo y pescado. Las carnes deben envolverse en forma individual y colocarlas en un plato para almacenarlas. Envuelva el pescado u el pollo en aluminio o en papel encerado grueso. La mayoría del pescado debe usarse el mismo día de la compra. Las carnes empacadas, como el jamón, tocino, carne deshidratada, carnes frías, se conservan mejor en su envoltura original.
- Permita que los alimentos se enfríen a temperatura ambiente antes de meterlas al refrigerador
- Siempre cubra los platos con alimentos, especialmente las sobras. Utilice estas sobras en los siguientes dos o tres días.

CAJÓN DE LAS VERDURAS

Los cajones en la parte inferior del refrigerador están cerrados para retener la humedad. Estos cajones de verduras le permitirán almacenar sus frutas y verduras que de otra forma se secarían rápidamente.

REEMPLAZO DE LA LUZ LED

No cambie usted mismo la luz LED. Entre en contacto con personal de servicio autorizado.

SOLUCIÓN DE PROBLEMAS

Los siguientes problemas sencillos pueden ser manejados por el usuario. Entre en contacto con soporte al cliente si estos problemas no se solucionan.

PROBLEMA	CAUSA PROBABLE	SOLUCIÓN
La unidad no funciona	<ul style="list-style-type: none">• No hay suministro eléctrico en la unidad• El enchufe está desconectado• Se está utilizando un voltaje inadecuado	<ul style="list-style-type: none">• Revise la conexión del cable de suministro eléctrico en el tomacorrientes• Conecte la unidad• Utilice el voltaje adecuado
El refrigerador se enciende muy seguido	<ul style="list-style-type: none">• El control de temperatura está fijado en muy frío• La puerta no está cerrada• Se metió comida caliente• La puerta se abre muy seguido o se queda abierta mucho tiempo• Hay proximidad con fuentes de calor o luz directa del sol	<ul style="list-style-type: none">• Revise o ajuste la temperatura conforme sea necesario• Cierre bien la puerta• Enfríe los alimentos antes de meterlos• Minimice la apertura de la puerta y la duración al abrirla• NO coloque la unidad cerca de fuentes de calor o luz directa del sol

La temperatura interna esta muy fría	<ul style="list-style-type: none"> • La temperatura se fijó en una temperatura muy fría 	<ul style="list-style-type: none"> • Revise o ajuste la temperatura conforme sea necesario
La temperatura interna no está lo suficientemente fría	<ul style="list-style-type: none"> • No hay suministro eléctrico en la unidad • El enchufe está desconectado • Se está utilizando un voltaje inadecuado • El control de temperatura está en un ajuste no muy frío • Se metió comida caliente • La puerta se abre muy seguido o se queda abierta mucho tiempo • Hay obstrucción del flujo de aire • Hay proximidad con fuentes de calor o luz directa del sol 	<ul style="list-style-type: none"> • Revise la conexión del cable de suministro eléctrico en el tomacorrientes • Conecte la unidad • Utilice el voltaje adecuado • Revise o ajuste la temperatura conforme sea necesario • Enfríe los alimentos antes de meterlos • Minimice la apertura de la puerta y la duración al abrirla • Permita que el aire circule por toda la unidad • NO coloque la unidad cerca de fuentes de calor o luz directa del sol
El congelador no está lo suficientemente frío	<ul style="list-style-type: none"> • El control de temperatura está en un ajuste no muy frío • La puerta no está cerrada • Se metió comida caliente • La puerta se abre muy seguido o se queda abierta mucho tiempo • Se está utilizando un voltaje inadecuado 	<ul style="list-style-type: none"> • Revise o ajuste la temperatura conforme sea necesario • Cierre bien la puerta • Enfríe los alimentos antes de meterlos • Minimice la apertura de la puerta y la duración al abrirla • Utilice el voltaje adecuado
La luz no prende	<ul style="list-style-type: none"> • No hay suministro eléctrico en la unidad • El enchufe está desconectado • La bombilla está floja o necesita cambiarse • Esta obstruido el interruptor de la puerta 	<ul style="list-style-type: none"> • Revise la conexión del cable de suministro eléctrico en el tomacorrientes • Conecte la unidad • Apriete o reemplace la bombilla • Revise obstrucciones en el interruptor y limpie si es necesario

Notas adicionales:

- Puede detectarse cierta cantidad de condensación en la superficie exterior y empaques de la puerta del congelador cuando hay una alta humedad en el ambiente. Este es un fenómeno normal. La condensación puede limpiarse con un paño seco.
- El compresor generará un zumbido ligero, especialmente al encenderse y apagarse.

SOPORTE AL CLIENTE




Antes de entrar en contacto con soporte al cliente, lea nuestra guía de solución de problemas presentada anteriormente en este manual.

Visite nuestro sitio web para entrar en contacto con nosotros, encontrar respuestas a las Preguntas Más Frecuentes y para otros recursos entre los cuales podría encontrar una actualización a este manual.

 WWW.IMPECCA.COM

Si desea entrar en contacto con nosotros por teléfono, asegúrese de tener a la mano el número de modelo y el número de serie y llámenos entre 9:00am y 6:00pm Tiempo del Este al +1 888-945-4440.

Manténgase al tanto de las más recientes innovaciones de Impecca y participe de nuestros concursos por medio de los medios sociales.

-  www.facebook.com/Impecca/
-  www.instagram.com/impecca/
-  [@impeccausa](https://twitter.com/impeccausa)

GARANTÍA LIMITADA POR UN AÑO

Impecca™ garantiza al comprador original este producto contra defectos en su material y mano de obra como se especifica a continuación.

PARTES Y MANO DE OBRA– Si se determina que el producto tiene defectos de fabricación, dentro del periodo de un (1) año a partir de la fecha de compra original, Impecca™, a su discreción, reparará o reemplazará las partes del producto sin ningún costo para usted en los Estados Unidos.

Para obtener el servicio de garantía de un distribuidor autorizado de Impecca™ envíenos un correo electrónico a: service@impecca.com para obtener un número de Autorización de Reparación y Mantenimiento (RAM) y recibir las instrucciones de cómo se llevará a cabo el procedimiento de reparación o reemplazo.

Cualquier material de vidrio incluido en el electrodoméstico estará cubierto por un periodo de sesenta (60) días a partir de la fecha de compra.

Impecca™ excluye de esta garantía accesorios no eléctricos o mecánicos, accesorios y partes desechables incluyendo, pero no limitado, a la carcasa, cables de conexión, baterías, adaptadores A/C. Impecca™ se reserva el derecho de reparar o reemplazar un producto defectuoso con un modelo igual, equivalente o nuevo modelo.

Nos reservamos el derecho ya sea de reparar o reemplazar el producto a nuestra discreción. El reemplazo puede ser nuevo o reacondicionado tratando de asegurar de que se trate del mismo modelo, si el mismo modelo no está disponible, se reemplazará con un modelo de especificaciones iguales o superiores.

El “desgaste” normal no está cubierto por esta ni por ninguna otra garantía. Adicionalmente, Impecca™ se reserva el derecho de determinar el “desgaste” de cualquiera o todos los productos. El violar o abrir el chasis del producto invalidará esta garantía por completo.

Excepciones: Esta garantía no cubre lo siguiente:

1. Cualquier producto que tenga un número de serie defectuosos o cubierto
2. Productos que han sido transferidos a un segundo propietario
3. Óxido en la parte interna o externa de la unidad
4. Los productos listados como “Tal cual” o “Reformados”
5. Pérdida de alimentos debido a la falla del producto
6. Aires acondicionados que han sido instalados en un muro.
7. El producto si este ha sido utilizado en una ubicación comercial
8. Llamadas de servicio que no involucren el mal funcionamiento del producto
9. Llamadas de servicio de un producto estropeado por no seguir las instrucciones proporcionadas
10. Llamadas de servicio para corregir una instalación incorrecta
11. Costos asociados por hacer el producto accesible al servicio (incluido pero no limitado a la remoción de ajustes/moldeo/gabinete, etc.)
12. Llamadas de servicio para reemplazar consumibles

como bombillas, filtros, etc.

13. Recargos que pueden aplicar a llamadas de servicio los fines de semana, por las noches, o durante las festividades. Daños al acabado del electrodoméstico o muebles de la casa debido a la instalación del electrodoméstico.
14. Daños causados por cualquiera de las siguientes causas: Actos de Dios, incendios, mal uso, accidentes, suministro de energía incorrecto, servicio realizado por personal no autorizado, el uso de partes no originales Impecca.

TODAS LAS GARANTÍAS IMPLÍCITAS, INCLUYENDO LAS GARANTÍAS IMPLÍCITAS DE MERCADOTECNIA E IDONEIDAD PARA UN PROPÓSITO EN PARTICULAR ESTÁN LIMITADAS A UNA DURACIÓN DE (1) AÑO EN PARTES Y NOVENTA (90) DÍAS EN MANO DE OBRA DESDE LA FECHA ORIGINAL DE COMPRA DEL PRODUCTO.

ESTAS GARANTÍAS Y MEDIDAS SON ÚNICAS Y EXCLUSIVAS EN RELACIÓN CON LA VENTA Y USO DEL PRODUCTO. NO SE OTORGA NINGUNA OTRA GARANTÍA, ORAL O ESCRITA, EN FORMA EXPRESA O IMPLÍCITA.

IMPECCA™ NO SE HACE RESPONSABLE DE NINGÚN DAÑO, YA SEA ESPECIAL, INCIDENTAL, CONSECUENTE, DIRECTO O DE CUALQUIER OTRA NATURALEZA, YA SEA CONOCIDO O POR DAR A CONOCER A IMPECCA™, INCLUYENDO LA PÉRDIDA DE GANANCIAS, PLUSVALÍA, DAÑOS PERSONALES O EN LA PROPIEDAD RESULTANTES DE CUALQUIER INCUMPLIMIENTO DE LA GARANTÍA, LA INCAPACIDAD DE UTILIZAR EL PRODUCTO O BAJO NINGUNA TEORÍA LEGAL EN CONTRATO O AGRAVIO. LA RESPONSABILIDAD DE IMPECCA SE LIMITA AL PRECIO ACTUAL DE COMPRA PAGADO AL VENDEDOR DEL PRODUCTO DEFECTUOSO.

Ningún distribuidor, agente o empleado de Impecca™ está autorizado para hacer ninguna modificación, extensión, cambio o enmienda de esta garantía sin el consentimiento y autorización escrita de Impecca™.

Algunos estados no permiten la exclusión o limitación de garantías implícitas o la responsabilidad por daños incidentales o consecuentes, y no permiten una limitación en la duración de una garantía implícita, de modo que las anteriores limitaciones o exclusiones pueden no aplicarse a usted. Esta garantía le otorga derechos específicos, y puede usted tener otros derechos, los cuales varían de estado a estado.

Nota: El Centro de Servicio de Garantía hace envíos solo dentro del territorio continental de E.U.

TABLE DES MATIÈRES

Consignes De Sécurité Importantes	23
Démarrage	24
Installation De L'appareil.....	24
Schéma De L'appareil	25
Installation De La Poignée De Porte	25
Inversion De L'ouverture De La Porte (Optionnel).....	25
Opérations	28
Nettoyage De L'appareil	29
Entretien	29
Dépannage	30
Support Technique	30
Garantie Limitée D'un An	31

ENGLISH

ESPAÑOL

FRANÇAIS

CONSERVEZ CES INSTRUCTIONS POUR RÉFÉRENCES FUTURES.

1. Ce réfrigérateur doit être adéquatement installé et positionné selon les instructions d'installation avant son utilisation.
2. Ne laissez pas les enfants monter, grimper ou s'accrocher aux étagères du réfrigérateur. Cela pourrait endommager l'unité et causer des blessures.
3. Il ne faut pas entreposer ou utiliser de la gazoline ou tous autres liquides ou vapeurs inflammables près de l'unité ou autres électro-ménagers.
4. Tenez les doigts loin de l'espace entre la porte et le boîtier. Utilisez de la prudence en fermant la porte lorsque des enfants sont près.
5. Dans des réfrigérateurs avec une machine à glace automatique, évitez d'entrer en contact avec les pièces amovibles du mécanisme d'éjection ou avec l'élément chauffant qui les relâche. Ne placez pas les doigts ou mains près du mécanisme de la machine à glace alors que le réfrigérateur est branché.
6. Débranchez le réfrigérateur avant de le nettoyer ou pour l'entretien.
7. Nous recommandons fortement d'utiliser les services d'un professionnel qualifié pour l'entretien.
8. Tournez le cadran de régulation de température à « 0 », cessez le refroidissement, mais n'éteignez pas complètement l'appareil.
9. Ne laissez pas le réfrigérateur dans des températures extrêmement froides ou chaudes.
10. Ne placez pas le réfrigérateur près de flammes ou d'une source de chaleur.
11. Nettoyez le réfrigérateur avec un linge doux et humide. Enlevez les taches avec un savon doux. N'utilisez pas de solvants industriels ou de produits chimiques abrasifs pour le nettoyage.
12. Ne placez aucun objet lourd sur le réfrigérateur.
13. N'installez pas le réfrigérateur dans un lieu propice à la moisissure ou aux éclats d'eau.
14. Ne laissez pas les enfants s'accrocher à la porte, l'unité pourrait renverser et les blesser.
15. Ne mangez aucune nourriture gâtée causée par un stockage trop long dans le réfrigérateur ou dû à un stockage dans un réfrigérateur non fonctionnel.
16. N'utilisez pas d'outils pointus (tel qu'un pic à glace), car cela pourrait causer des dommages.
17. Débranchez et videz le réfrigérateur si celui-ci n'est pas utilisé pour une longue période.
18. Avant de connecter l'unité à la source d'alimentation, laissez-la reposer pendant environ 24 heures. Cela réduira la possibilité d'une défectuosité du système de refroidissement en raison de toute manipulation pendant le transport.

AVANT DE JETER VOTRE ANCIEN RÉFRIGÉRATEUR:

Votre ancien réfrigérateur pourrait être équipé d'un système qui utilisait des CFC (chlorofluocarbone) ou des HCFC (hydrochlorofluocarbone). Les CFC et HCFC sont soupçonnés de nuire à l'ozone stratosphérique si relâchés dans l'atmosphère. Si vous vous débarrassez de votre ancien réfrigérateur, assurez-vous que le réfrigérant est proprement retiré par un technicien qualifié. Vérifiez avec votre détaillant s'ils peuvent reprendre votre ancien appareil pour en disposer de manière responsable ou pour le recycler.

Visitez le www.epa.gov/rad pour plus de renseignements sur le programme Responsible Appliance Disposal.

AVERTISSEMENT RISQUE D'ENFERMEMENT POUR ENFANTS:

Il y a un risque d'enfermement pour enfants. Avant de jeter votre vieux réfrigérateur ou congélateur aux ordures:

1. Enlevez les portes.
2. Laissez les étagères à l'intérieur de l'unité afin d'éviter que les enfants puissent y grimper.

AVERTISSEMENT: L'UTILISATION D'UNE RALLONGE ÉLECTRIQUE N'EST PAS RECOMMANDÉE.

POUR USAGE DOMESTIQUE UNIQUEMENT GARDEZ CES INSTRUCTIONS

DÉMARRAGE

Merci pour votre achat de ce réfrigérateur Impecca de 10 pieds cubes. Veuillez suivre ces instructions d'opération attentivement. Gardez ces instructions dans un endroit sûr afin de les consulter lorsque requis.

Note: Les images à l'intérieur de ce manuel y sont à titre indicatif uniquement; l'apparence physique et les options sur votre modèle peuvent varier.

NUMÉRO DE SÉRIE ET MODÈLE

Veuillez noter le numéro de série et de modèle ci-dessous. Vous trouverez la plaque de renseignements au coin gauche supérieur du mur d'intérieur du réfrigérateur.

Numéro de modèle: _____

Numéro de série: _____

Date de l'achat: _____

CONSIGNES DE SÉCURITÉ

Cet appareil est destiné à un usage domestique et à des applications similaires tels que :

- Cuisine en milieu de travail;
- Utilisation individuelle dans une chambre d'hôtel ou tout autre type d'environnement résidentiel.

INSTALLATION DE L'APPAREIL

EMPLACEMENT

Assurez-vous de définir un endroit au plancher plat, nivelé et bien ventilé pour l'emplacement de votre appareil. Évitez de l'installer près d'une source de chaleur telle qu'un four, un poêle, un radiateur ou une chaudière. Évitez également une exposition directe au soleil, car cela pourrait affecter le niveau de consommation électrique.

Des températures extrêmement froides peuvent également empêcher l'appareil de fonctionner adéquatement. Cet appareil n'est pas conçu pour une utilisation dans un garage ou une installation extérieure. Ne placez aucun drap ou couverture sur l'appareil.

Au cours de l'installation, assurez-vous de garder un espacement libre de 3 pouces minimum de chaque côté ainsi qu'à l'arrière ainsi que 1 pouce au-dessus de l'appareil. Ceci permettra à de l'air froid de circuler autour du réfrigérateur et ainsi permettre une meilleure efficacité du processus de refroidissement.

Le système de réfrigération de cet appareil est un système «sans givre». Ce type de système ne nécessite aucune intervention de l'utilisateur (c.-à-d., aucun dégivrage) autre que la sélection des températures de refroidissement requises et les soins et l'entretien habituels.

Cet appareil nécessite une INSTALLATION AUTONOME UNIQUEMENT, et n'est PAS destinée à être intégrée à un mobilier.

La porte de l'unité doit pouvoir s'ouvrir complètement comme indiqué.

Largeur x Profondeur ≥ 130 cm x 149 cm

NIVELLEMENT DE L'APPAREIL

Il est important de garder l'appareil à niveau afin que la porte se referme adéquatement. Ceci prévient des problèmes au niveau du refroidissement. Afin de niveler l'appareil, ajuster les deux pieds réglables dans le sens horaire ou antihoraire pour ajuster la hauteur de chaque coin.

Note : Si l'appareil n'est pas à niveau, la porte et l'alignement du sceau magnétique ne seront pas adéquatement couverts.

Installez cet appareil dans une zone où la température ambiante est entre 55 ° F (13 ° C) et 110 ° F (43 ° C). Si la température autour de l'appareil est trop basse ou trop élevée, la capacité de refroidissement peut être affectée.

NETTOYAGE AVANT UTILISATION

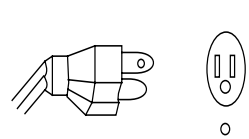
Essuyez l'intérieur de l'appareil avec une solution dissoute de bicarbonate de soude. Rincez ensuite avec de l'eau tiède en utilisant une éponge ou un linge humide. Lavez les étagères et bacs dans de l'eau savonneuse chaude et séchez-les complètement avant de les remettre dans l'appareil. Nettoyez l'extérieur de l'appareil avec un linge humide.

INSTRUCTIONS MISE À LA TERRE

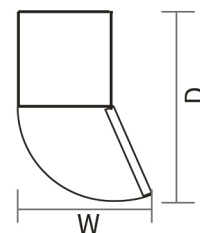
Cet appareil doit être mis à la terre. Le réfrigérateur doit être branché dans sa propre prise dédiée de 115 volts, 60 Hz, 15 AMP, de courant AC. La performance de l'appareil pourrait être affectée si le voltage varie de 10% ou plus. La mise en fonction de l'appareil sans la puissance nécessaire pourrait endommager le compresseur. Un tel bris n'est pas couvert par la garantie. Le cordon d'alimentation est équipé d'une fiche de mise à la terre tri-polaire afin de vous protéger contre le risque de décharges électriques. Celle-ci doit être correctement branchée dans une prise à trois branches mise à la terre. La prise doit être installée en respectant les règlements et codes locaux. N'utilisez pas de rallonge ou d'adaptateur.

Lorsque vous utilisez une prise à 3 branches

Prise à 3 branches



Fiche à 3 branches Boîtier de la prise

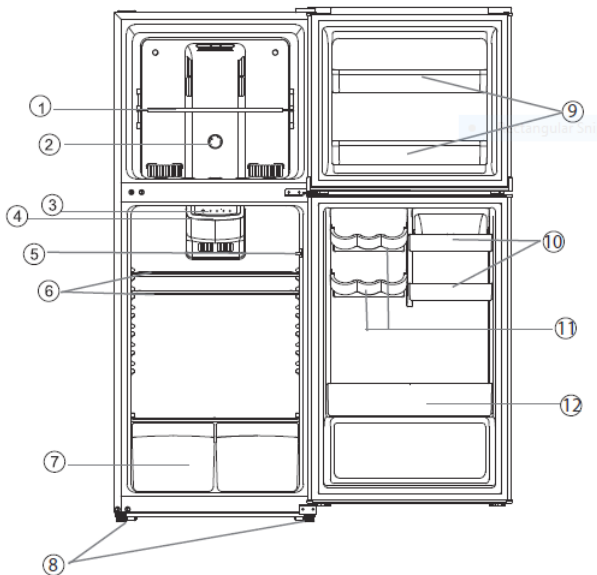


AVERTISSEMENT: L'utilisation inappropriée de la fiche de mise à la terre pourrait résulter en risque de décharge électrique.

Consultez un électricien qualifié ou un technicien de service si les instructions de mise à la terre ne sont pas complètement comprises ou si vous avez des doutes que l'appareil n'est pas proprement mis à la terre.

SCHÉMA DE L'APPAREIL

1. Tablette de congélateur
2. Panneau de contrôle du congélateur
3. Contrôle ajustable de la température
4. Lumière d'intérieur
5. Interrupteur de lumière
6. Étagère en verre pleine largeur
7. Bacs à salade transparents
8. Pieds ajustables
9. Bacs de la porte du congélateur
10. Petits bacs de portière
11. Stockage de conserves
12. Grands bacs de portière

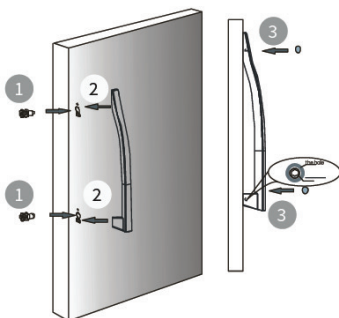


Note : l'image ci-dessous est à titre de référence uniquement. L'appareil pourrait être légèrement différent.

INSTALLATION DE LA POIGNÉE DE PORTE (ne

s'applique pas à tous les modèles)

Le réfrigérateur doit être débranché avant de tenter d'installer les poignées de porte.



Étape 1 : Installez les deux vis Phillips dans les trous de la porte et viser jusqu'à ce qu'elles soient fermement en place.

Étape 2 : Positionner la poignée de porte sur les vis installées à l'étape 1.

Étape 3 : Installez les vis dans le trou situé sur le côté de la poignée et viser jusqu'à ce qu'elles soient complètement serrées. Installez les bouchons de vis telle qu'illustrée ci-dessus.

INVERSION DE L'OUVERTURE DE LA PORTE

(OPTIONNEL)

Il est recommandé de déterminer si vous devez inverser le côté d'ouverture de la porte et de compléter cette procédure avant d'installer et mettre sous tension votre réfrigérateur.

Note : Ces instructions sont pour changer les charnières de la droite vers le côté gauche de l'appareil. Si vous désirez remettre les charnières à droite, suivez ces mêmes instructions et inversez toutes les références de la gauche vers la droite.

AVERTISSEMENT!! Afin d'éviter de vous blesser ou de causer des dommages à la propriété, nous recommandons que vous obteniez de l'aide pour l'exécution de cette tâche.

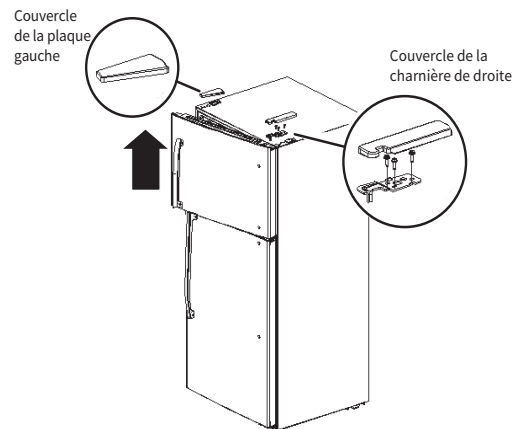
- Assurez-vous que l'appareil est débranché et vide.
- Ajustez les deux pieds ajustables à leur plus haute position.
- Ayez un objet solide sur lequel reposer l'appareil. Ceci sera nécessaire lorsque viendra le temps d'enlever la porte.
- Évitez de coucher le réfrigérateur à plat sur le dos, car ceci pourrait causer des dommages au système de refroidissement.

OUTILS REQUIS

- Tournevis Phillips
- Clé Allen
- Tournevis à tête plate

ÉTAPE 1: RETIRER LA PORTE DU CONGÉLATEUR

En utilisant un tournevis à tête plate, forcez et levez doucement le couvercle de la charnière de droite ainsi que le couvercle de la plaque de gauche. Avec le tournevis Phillips, dévissez les vis de la charnière supérieure de droite. Retirez la charnière supérieure. Soulevez la porte du congélateur vers le haut pour la retirer.

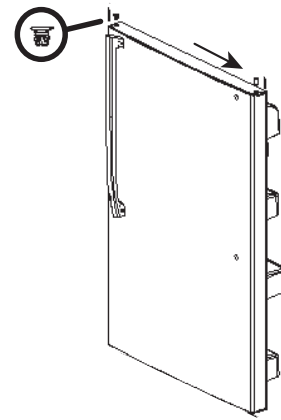
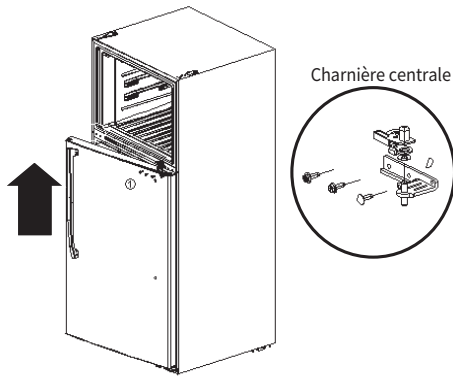


ÉTAPE 2: RETRAIT DE LA PORTE DU RÉFRIGÉRATEUR

Dévissez les trois vis qui tiennent la charnière centrale avec un

tournevis Phillips. Retirez la charnière et mettez de côté les vis et la charnière. Soulevez la porte du réfrigérateur vers le haut, tel qu'il lustré.

rateur et insérez-le du côté droit de la porte.

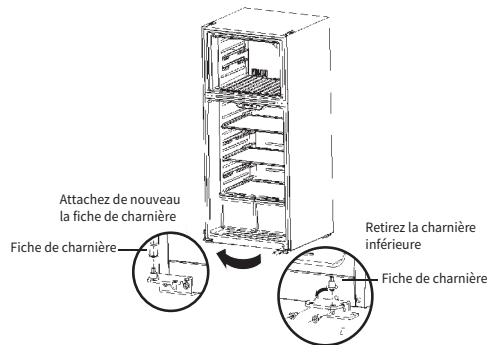
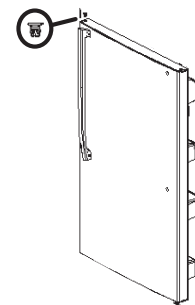
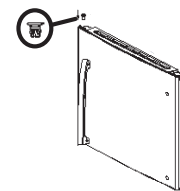


Insérez la bague de plastique du côté gauche des portes du congélateur et du réfrigérateur.

ÉTAPE 3: REPLACER LA CHARNIÈRE INFÉRIEURE

Dévissez les deux vis qui tiennent la charnière inférieure et retirez-la du côté droit inférieur du réfrigérateur.

Dévissez la fiche de la charnière du côté droit de la charnière inférieure et déplacez-la vers le côté gauche du réfrigérateur. Sécurisez la charnière inférieure au côté gauche du réfrigérateur en utilisant les vis enlevées auparavant.

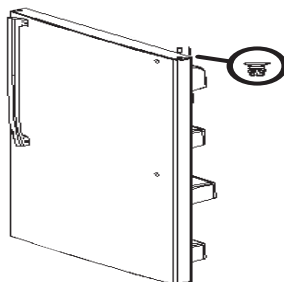
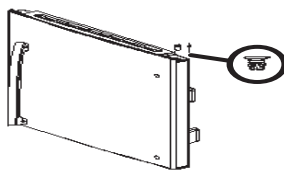


ÉTAPE 4: REPLACER LE MATÉRIEL DE PORTE

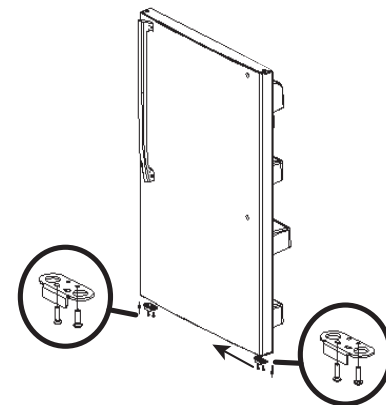
Retirez la bague de plastique du côté supérieur droit des portes du congélateur et du réfrigérateur.

ÉTAPE 5: RÉINSTALLATION DE LA PORTE DU RÉFRIGÉRATEUR

Retirez le bloc porte du bas du côté droit de la porte du réfrigérateur et attachez-le au côté gauche du côté de la porte.



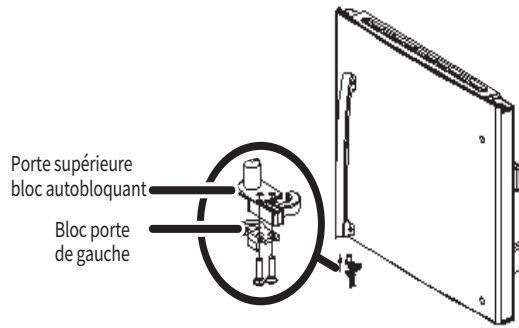
Retirez le bouchon du côté supérieur gauche de la porte du réfrigé-



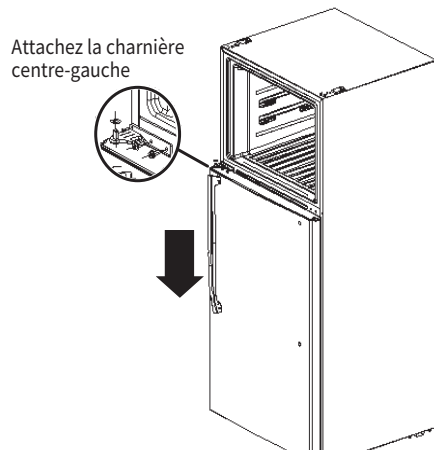
Attachez le bloc autobloquant au coin supérieur gauche et le bloc porte de gauche au côté gauche de la porte du congélateur.

Retirez le bloc autobloquant du coin supérieur droit et le bloc porte de droite. Gardez-les dans un endroit certain si jamais vous devez

inverser de nouveau la position de la porte.



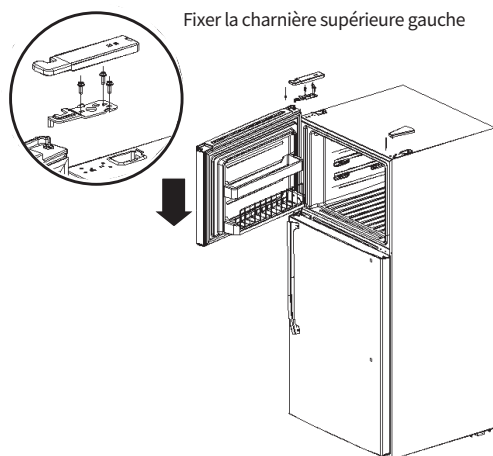
Retirez les deux bouchons de trous du côté gauche, où sera placée la charnière centrale et insérez-les du côté droit.



Installez la porte sur la fiche de charnière inférieure et ensuite attachez la charnière de centre gauche du côté gauche du réfrigérateur.

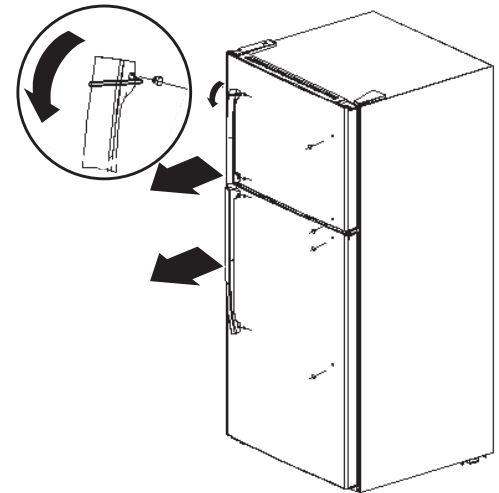
ÉTAPE 6: RÉINSTALLATION DE LA PORTE DU CONGÉLATEUR

Installez la porte du congélateur sur la fiche de la charnière centre-gauche et puis sécurisez la charnière supérieure gauche au-dessus du réfrigérateur. Couvrez la charnière ainsi que les trous des vis du côté droit avec les couvercles de plaque (retirés à l'étape précédente).



ÉTAPE 7: RETIRER LES POIGNÉES DE PORTE

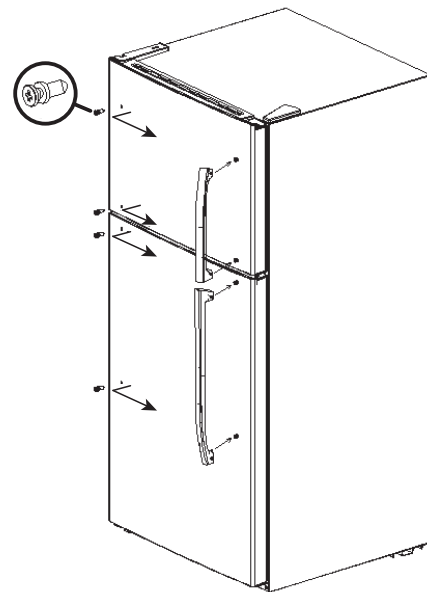
Retirez les capuchons à vis des poignées de porte. Utilisez une clé Allen pour retirer les quatre vis à six pans creux fixant les poignées au côté gauche du congélateur et des portes du réfrigérateur. Retirez les poignées.



ÉTAPE 8: RÉINSTALLATION DES POIGNÉES DE PORTE

Retirez les quatre vis Phillips du côté gauche des portes du congélateur et du réfrigérateur. Vissez les quatre vis Phillips dans les trous sur le côté droit des portes du congélateur et du réfrigérateur.

Installez les poignées de porte du côté droit du congélateur et du réfrigérateur avec les vis Allen retirées à l'étape précédente. Serrez-les avec la clé Allen et remplacez les couvercles de vis.



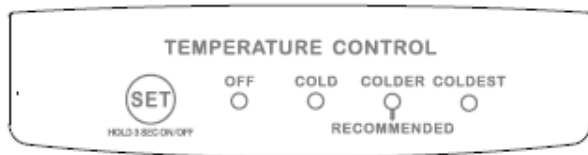
ÉTAPE 9: REPLACER LES BOUCHONS DE TROUS ET COUVERCLES DE POIGNÉE

Remplacez tous les bouchons de trous dans les trous restant du côté gauche. Remplacez les couvercles de poignée aux extrémités des poignées pour recouvrir les trous des vis.

UTILISATION

RÉGULATION DE LA TEMPÉRATURE DU RÉFRIGÉRATEUR

Votre réfrigérateur maintiendra automatiquement le niveau de température sélectionné. Le contrôle de température a 3 réglages. COLD est le réglage le plus chaud, COLDEST est le réglage le plus froid.



Le réglage de la température est le changement de cycle entre COLD, COLDER et COLDEST, lorsque vous appuyez sur le bouton SET. Dans un premier temps, réglez le panneau sur l'indicateur COLDER (réglage du milieu) et attendez 24 heures avant de régler la température selon vos besoins.

L'alimentation sera coupée après avoir appuyé sur le bouton SET pendant 3 secondes, et le voyant OFF sera allumé. Pour allumer l'appareil, appuyez sur le bouton SET pendant 3 secondes supplémentaires.

REMARQUE: Si le réfrigérateur a été placé dans une position horizontale ou inclinée pendant une période quelconque, attendez 24 heures avant de brancher l'appareil.

L'appareil peut ne pas fonctionner à la bonne température s'il se trouve dans un environnement particulièrement chaud ou si la porte s'ouvre trop fréquemment.

ébrancher l'unité arrête le refroidissement dans les sections de réfrigération et de congélation.

REMARQUE

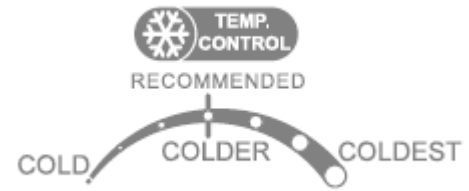
- Si l'appareil est débranché, vous devez attendre 3 à 5 minutes avant de redémarrer l'appareil (en rebranchant l'appareil). Si vous tentez de redémarrer avant 3 à 5 minutes, le réfrigérateur ne démarre pas.
- Si l'alimentation est coupée, l'unité doit redémarrer automatiquement à la remise sous tension.
- Une grande quantité de nourriture réduira l'efficacité de refroidissement de l'appareil.
- Ne placez pas les aliments de façon à ce qu'ils bloquent un évent et laissez suffisamment d'espace entre les aliments pour que l'air circule dans l'armoire.
- Laissez plusieurs heures pour que la température se stabilise entre deux sélections de température.

CONTRÔLE DE TEMPÉRATURE CONGÉLATEUR

- Votre réfrigérateur a un contrôle de ventilation pour réguler la température dans le compartiment congélateur. Le contrôle de température est situé au centre du panneau arrière intérieur du compartiment congélateur.
- La première fois que vous allumez l'appareil, réglez le bouton de contrôle de la température sur COLDEST et laissez l'unité fonctionner pendant au moins 2 heures avant de mettre les aliments à l'intérieur. Cela garantira que l'armoire du congéla-

teur est complètement refroidie avant que la nourriture ne soit introduite.

- Le contrôle de température du congélateur va de COLD (le plus chaud) à COLDEST (le plus froid). Ajustez ce contrôle pour obtenir la température désirée. Le réglage d'usine recommandé est COLDER (à mi-chemin entre COLD et COLDEST).



LE COMPARTIMENT CONGÉLATEUR

- Ce compartiment est conçu pour le stockage à long terme des aliments congelés. La période de stockage dure jusqu'à trois mois.
- Placez les aliments congelés dans le congélateur le plus rapidement possible après l'achat. S'il y a des instructions sur l'emballage, suivez attentivement ces instructions concernant les temps de stockage.

SOIN ET ENTRETIEN

SYSTÈME DE REFROIDISSEMENT

Ce réfrigérateur est équipé d'un système de refroidissement de type FROST FREE, ce qui signifie que vous n'avez jamais besoin de dégivrer le compartiment congélateur. L'eau de dégivrage est acheminée dans une cuve de dégivrage située près du compresseur, où elle s'évapore ensuite.

NETTOYAGE

Avant de nettoyer le réfrigérateur ou le congélateur, débranchez toujours le réfrigérateur de l'alimentation électrique. Pour nettoyer l'intérieur, utilisez un chiffon doux et une solution d'une cuillère à soupe de bicarbonate de soude pour un quart (4 tasses) d'eau, ou une solution de savon doux ou un détergent doux. Lavez le bac à glaçons, le bac d'égouttage et glissez les étagères dans une solution détergente douce, puis séchez avec un chiffon doux. Nettoyez l'extérieur avec un chiffon doux et humide et un détergent doux ou un nettoyant pour appareil ménager.

VACANCES

Pour de courtes périodes de vacances, laissez le bouton de commande sur le réglage habituel. Pendant des absences plus longues:

1. RETIRER TOUS LES ALIMENTS
2. DÉBRANCHER L'UNITÉ DE LA PRISE ÉLECTRIQUE
3. LAISSER LA PORTE OUVERTE POUR ÉVITER LES FORMATIONS POSSIBLES DE CONDENSATION, DE MOISSISURE OU D'ODEURS

PANNE ÉLECTRIQUE

La plupart des coupures de courant ne durent qu'une heure ou deux et n'affectent pas la température du réfrigérateur. Cependant, vous devez minimiser le nombre de fois que vous ouvrez la porte alors que l'alimentation est coupée. Pendant les pannes de courant de

plus longue durée, prenez des mesures pour protéger vos aliments.

SI VOUS DÉMÉNAGEZ

Retirez ou fixez solidement tous les objets à l'intérieur du réfrigérateur. Pour éviter d'endommager les pieds ajustables, tournez-les complètement dans la base.

QUELQUES RÈGLES IMPORTANTES POUR L'UTILISATION CORRECTE DU RÉFRIGÉRATEUR

- Ne placez jamais d'aliments chauds dans le réfrigérateur
- Les boissons doivent être conservées dans des contenants scellés
- Les aliments qui doivent être entreposés pendant une longue période devraient être emballés dans du cellophane ou du polyéthylène ou conservés dans des contenants de verre.
- Ne placez jamais d'aliments avariés dans le réfrigérateur.
- Ne surchargez pas le réfrigérateur.
- N'ouvrez pas la porte sauf si nécessaire.
- Si le réfrigérateur doit être stocké longtemps sans utilisation, il est recommandé, après un nettoyage soigneux, de laisser la porte entrouverte pour permettre à l'air de circuler à l'intérieur de l'appareil afin d'éviter les éventuelles formations de condensation, de moisissure ou d'odeurs.

SUGGESTIONS DE STOCKAGE ALIMENTAIRE

Compartiment d'aliments frais

- Ne recouvrez jamais les étagères du compartiment à nourriture avec une feuille d'aluminium ou tout autre matériau pouvant recouvrir l'étagère et qui pourrait empêcher la circulation de l'air.
- Retirez toujours le papier d'emballage poreux des viandes, de la volaille et du poisson. Les viandes doivent être emballées individuellement et placées dans un plat pour le stockage. Envelopper le poisson et la volaille dans du papier aluminium ou du papier ciré épais. La plupart des poissons devraient être utilisés le jour même de l'achat. Les viandes emballées comme le jambon, le bacon, le bœuf séché ou le saucisse de Francfort sont les meilleures dans leur emballage d'origine.
- Laissez les aliments chauds refroidir à température ambiante avant de les placer dans le réfrigérateur.
- Couvrez toujours les plats ouverts de nourriture, en particulier les restes. Utilisez les restes dans les 2 ou 3 jours.

BAC AUX LÉGUMES

Le plateau au bas du réfrigérateur est couvert pour retenir l'humidité. Le bac à légumes vous permettra de stocker les légumes et les fruits qui se dessèchent rapidement.

REMPACEMENT D'ÉCLAIRAGE DEL

Ne changez pas la lumière LED vous-même, veuillez contacter le technicien de service autorisé.

DÉPANNAGE

Les problèmes simples suivants peuvent être traités par l'utilisateur. Veuillez contacter le service clientèle si les problèmes ne sont pas résolus.

PROBLÈME	CAUSE POSSIBLE	SOLUTION
L'unité ne fonctionne pas.	<ul style="list-style-type: none">• Pas d'alimentation à l'unité.• Le cordon d'alimentation est débranché.• Une tension incorrecte est utilisée.	<ul style="list-style-type: none">• Vérifiez la connexion du cordon d'alimentation à la source d'alimentation.• Branchez l'unité.• Utilisez une tension appropriée.
Le réfrigérateur fonctionne trop fréquemment.	<ul style="list-style-type: none">• Contrôle de température trop froid.• Porte non fermée.• Nourriture chaude insérée.• Les portes s'ouvrent trop longtemps / souvent.• Proche de la source de chaleur ou de la lumière directe du soleil.	<ul style="list-style-type: none">• Vérifiez / ajustez les réglages si nécessaire.• Fermez la porte solidement.• Refroidissez les aliments avant de les insérer.• Minimiser les ouvertures / durée de la porte.• NE placez PAS l'appareil à proximité de sources de chaleur ou à la lumière directe du soleil

La température interne est trop froide.	<ul style="list-style-type: none"> • La température est trop froide. 	<ul style="list-style-type: none"> • Vérifiez / ajustez les réglages si nécessaire.
La température interne n'est pas assez froide.	<ul style="list-style-type: none"> • Pas d'alimentation à l'unité. • Le cordon d'alimentation est débranché. • Une tension incorrecte est utilisée. • Le contrôle de la température est trop chaud. • Nourriture chaude insérée. • Les portes s'ouvrent trop longtemps / souvent. • Obstruction du flux d'air. • Proche de la source de chaleur ou de la lumière directe du soleil. 	<ul style="list-style-type: none"> • Vérifiez la connexion du cordon d'alimentation à la source d'alimentation. • Branchez l'unité. • Utilisez une tension appropriée. • Vérifiez / ajustez les réglages si nécessaire. • Refroidissez les aliments avant de les insérer. • Minimiser les ouvertures / durée de la porte. • Laissez de l'air circuler autour de l'appareil. • NE placez PAS l'appareil à proximité de sources de chaleur ou à la lumière directe du soleil.
Congélateur n'est pas assez froid.	<ul style="list-style-type: none"> • Le contrôle de la température est trop chaud. • Porte non fermée. • Nourriture chaude insérée. • Les portes s'ouvrent trop longtemps / souvent. • Une tension incorrecte est utilisée. 	<ul style="list-style-type: none"> • Vérifiez / ajustez les réglages si nécessaire. • Fermez la porte solidement. • Refroidissez les aliments avant de les insérer. • Minimiser les ouvertures / durée de la porte. • Utilisez une tension appropriée
La lumière ne fonctionne pas.	<ul style="list-style-type: none"> • Pas d'alimentation à l'unité. • Le cordon d'alimentation est débranché. • L'ampoule est lâche / doit être remplacée. • L'interrupteur de la porte est bloqué 	<ul style="list-style-type: none"> • Vérifiez la connexion du cordon d'alimentation à la source d'alimentation. • Branchez l'unité. • Serrez ou remplacez l'ampoule. • Vérifiez l'interrupteur pour les obstructions, nettoyez si nécessaire.

Notes complémentaires:

- De la condensation peut être détectée sur la surface extérieure et les joints de porte du congélateur lorsque l'humidité ambiante est élevée. C'est un phénomène normal, et la condensation peut être essuyée avec une serviette sèche.
- Un léger bourdonnement sera généré par le compresseur, en particulier au démarrage ou à l'arrêt.

SOUTIEN TECHNIQUE

Avant de contacter le soutien technique, veuillez consulter le guide de dépannage ci-dessus.

Visitez notre site Web pour nous contacter, trouver des réponses aux questions fréquemment posées et pour d'autres ressources qui peuvent inclure une mise à jour version de ce manuel de l'utilisateur.

 WWW.IMPECCA.COM

Si vous souhaitez nous contacter par téléphone, assurez-vous d'avoir votre numéro de modèle et votre numéro de série prêts et appelez-nous entre 9h00 et 18h00 HE, au +1 866-954-4440.

Gardez un œil sur les dernières innovations d'Impecca et participez à des concours via nos réseaux sociaux:

 www.facebook.com/Impecca/

 www.instagram.com/impecca/

 [@impeccausa](https://twitter.com/impeccausa)

GARANTIE LIMITÉE D'UN AN

Impecca™ garantie auprès de l'acheteur original cet appareil contre toutes déficiences liées au matériel et à la fabrication tel que spécifié ci-dessous.

PIÈCES ET MAIN D'ŒUVRE- S'il est déterminé que l'appareil a un problème lié à la fabrication, à l'intérieur d'une période d'un an de la date d'achat originale, Impecca™, à sa discrétion, pourra remplacer ou réparer les pièces de l'appareil sans frais pour vous aux États-Unis.

Afin d'obtenir des services sous garantie par un fournisseur autorisé par le centre de service d'Impecca™, veuillez nous rejoindre par courriel : service@impecca.com afin d'obtenir un numéro d'autorisation d'entretien et réparation (Repair and Maintenance Authorization – RMA). Vous recevrez également des détails liés au processus de réparation et/ou remplacement.

Tout matériau en vitre inclus avec l'appareil est couvert par une garantie de 60 jours à compter de la date d'achat (lorsque applicable).

Impecca™ exclus spécifiquement de cette garantie tout attachement non électrique / mécanique, accessoires ou pièce jetable incluant, mais non limité au boîtier externe, les câbles connecteurs, les piles et les adaptateurs secteurs. Impecca™ se réserve le droit de réparer ou remplacer les appareils défectueux par un modèle pareil, équivalent ou plus récent.

Nous nous réservons le droit de réparer ou de remplacer l'appareil à notre discrétion. Le remplacement pourrait être par un appareil nouveau ou remis à neuf. Bien que tous les efforts soient mis de l'avant pour assurer qu'il s'agisse du même modèle, s'il s'avère impossible, le remplacement sera de qualité similaire ou supérieure.

L'usure normale de l'appareil n'est pas couverte par cette garantie. Impecca™ se réserve le droit de déterminer le niveau d'usure sur l'ensemble de ses appareils. Ouvrir le boîtier ou modifier l'appareil annule dans son entièreté la présente garantie.

Exclusions : la garantie présente exclut les points suivants :

1. Tout appareil dont le numéro de série est effacé ou rendu illisible.
2. Tout appareil transféré à un second propriétaire.
3. La rouille formée à l'intérieur ou à l'extérieur de l'unité.
4. Les appareils marqués « Tel quel » ou « Remis à neuf ».
5. Pertes d'aliments dus à un mauvais fonctionnement de l'appareil.
6. Climatiseur à fenêtre installés au mur.
7. Si l'appareil est utilisé à des fins commerciales.
8. Appels de service qui ne sont pas en lien avec un mal fonctionnement de l'appareil.
9. Appels de service pour un appareil endommagé suite au non-respect des instructions fournies.
10. Appels de service liés à une installation défectueuse.

11. Coûts entraînés à rendre l'appareil accessible pour l'entretien (incluant, mais non limité à l'enlèvement de moulures, plinthes, armoires, etc.)
12. Appels de service pour le remplacement de pièces consommables tels que des ampoules, filtres, etc.
13. Des frais additionnels peuvent s'appliquer aux appels de service en soirée, en fin de semaine, les jours fériés. Des dommages à la finition de l'appareil ou à des ameublements suite à l'installation de l'appareil.
14. Dommages causés par : des circonstances exceptionnelles; incendie; mauvaise utilisation; accident; alimentation électrique inappropriée; entretien effectué par une personne non autorisée; utilisation de pièces non d'origine d'Impecca, etc.

TOUTE GARANTIE IMPLICITE, Y COMPRIS LES GARANTIES DE QUALITÉ MARCHANDE ET D'ADAPTATION À UN USAGE PARTICULIER EST LIMITÉ POUR UNE DURÉE DE 1 AN À COMPTER DE LA DATE DE L'ACHAT ORIGINAL DE CE PRODUIT.

CES GARANTIES ET RECOURS DEMEURENT EXCLUSIFS À LA VENTE ET L'UTILISATION DE CE PRODUIT. AUCUNE AUTRE GARANTIE, ORALE OU ÉCRITE, EXPLICITE OU IMPLICITE, NE SERA ÉMISE.

IMPECCA™ NE PEUT PAS ÊTRE TENU RESPONSABLE POUR DES DOMMAGES SPÉCIAUX, ACCIDENTELS, CONSÉQUENTS, DIRECTS OU AUTRES CONNUS OU QUI AURAIENT PU ÊTRE COMMUNIQUÉS À IMPECCA™, Y COMPRIS LA PERTE DE PROFITS, DE BIENVEILLANCE, DE BIENS ET DE BLESSURES RÉSULTANT D'UNE VIOLATION DE LA GARANTIE, L'INCAPACITÉ D'UTILISER LE PRODUIT OU EN VERTU DE TOUTE THÉORIE JURIDIQUE EN CONTRAT OU DÉLIT. LA RESPONSABILITÉ D'IMPECCA EST LIMITÉE AU PRIX D'ACHAT PAYÉ AU VENDEUR EN DÉTAIL DU PRODUIT DÉFECTUEUX.

Aucun revendeur, agent ou employé d'Impecca™ n'est autorisé à effectuer une modification, une extension, un changement ou un amendement de cette garantie sans le consentement écrit et l'autorisation d'Impecca™.

Certains états ne permettent pas l'exclusion ou la limitation des garanties implicites ou de responsabilité en lien avec des dommages accidentels or des dommages conséquents ou ne permettent pas une limitation sur la durée de la garantie implicite. Donc, les limitations ou exclusions ci-dessus peuvent ne pas s'appliquer à vous. Cette garantie vous donne des droits légaux spécifiques et vous détenez d'autres droits, qui peuvent varier d'état en état.

Note : Notre centre de la garantie effectue la livraison uniquement qu'aux États-Unis continentaux.