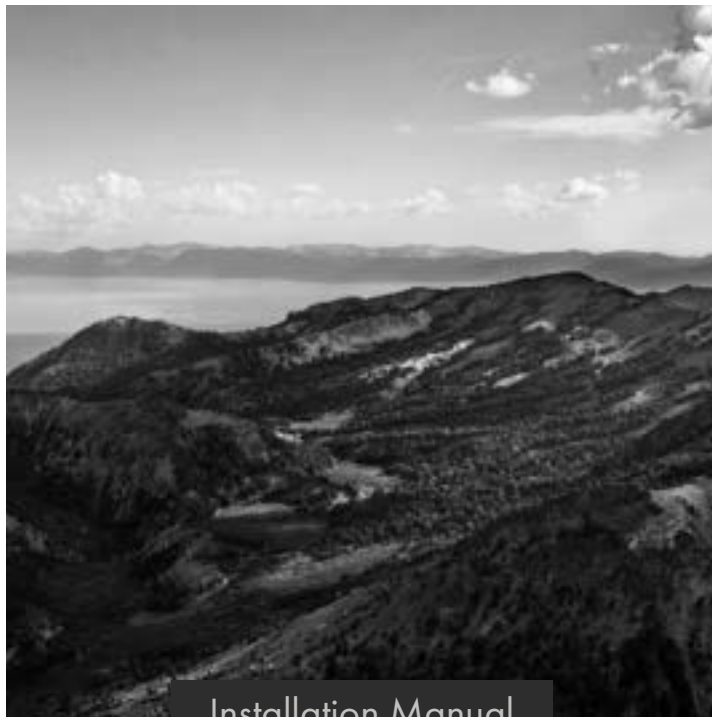


ZLINE

ATTAINABLE LUXURY[®]



Installation Manual

BUILT-IN REFRIGERATION RBIT & RBIV MODELS

www.zlinekitchen.com



ZLINE Kitchen and Bath provides Attainable Luxury, where the kitchen and bath of your dreams is never out of reach. Through our unique designs and unparalleled quality, we're dedicated to providing you an elevated experience in the heart of your home. With an endless selection of features and finishes, our inspiration is your reality.

ZLINE
ATTAINABLE LUXURY®



ZLINE is fueled by a passion for innovation; A relentless pursuit of bringing the highest end luxury designs and professional features into everyone's homes.

Because we continually strive to improve our products, we may change specifications and designs without prior notice.

Scan the QR code to view the most up-to-date version of the Installation Manual and User Manual.

⚠ WARNING: This product can expose you to chemicals including nickel, which is known to the State of California to cause cancer. For more information, go to www.P65Warnings.ca.gov.

TABLE OF CONTENTS

IMPORTANT SAFETY INSTRUCTIONS.....	1
BEFORE INSTALLATION.....	9
Tools Required	9
Preparation for Installation and Cabinet Cutouts	11
Location of the Electrical Wiring	13
Location of the Water System	14
Product Dimensions	16
Door Opening Dimensions	19
Detailed Dimensions	23
Parts Provided.	28
INSTALLATION.....	31
Removing the Freezer Door	32
Anti-Tip Brackets	35
Preparing for Placing the Refrigerator into the Cabinet	40
Door Panel Preparation	52
Changing the Direction of the Refrigerator Door	56
Door Panel Dimensions.	60
Door Panel Installation	64
DUAL CABIN INSTALLATION.....	85
WARRANTY.....	102

IMPORTANT SAFETY INSTRUCTIONS

PLEASE READ THIS MANUAL BEFORE INSTALLING AND USING THE PRODUCT

- Always follow the applicable safety instructions.
- The installer should leave these instructions with the consumer who should retain for local inspectors' use and for future reference.
- Please read all other documents provided with this product.
- Please keep in mind this manual may apply to several product models.
- This manual expressly indicates the differences between various models.
- **IMPORTANT:** This is a complex installation procedure that should only be performed by qualified professionals and technicians.
- The manufacturer will not be responsible for any damage to property or to persons caused by incorrect installation, improper use of the appliance, or failure to heed the warnings listed.

Symbols used in the installation manual are as follows.



Important information and useful hints.



WARNING

Conditions that may damage the product or its operating functions.



ATTENTION

Conditions containing serious injury risk.



CAUTION

Conditions containing electric shock risk.

IMPORTANT SAFETY INSTRUCTIONS



WARNING

R600A REFRIGERANT

This product contains R600a isobutane refrigerant, which is a very eco-friendly natural gas. However, it is also flammable. Please follow the warnings and installation instructions below:

- If the product has been transported horizontally, you must wait a minimum of 4 hours after standing it upright before plugging it in.
- Cut-out dimensions of the installation area must be suitable to safely fit the product for full installation.
- Dimensions, features, and position of objects used to support and affix the product to this area must be suitable.
- Minimum clearances between product parts and surrounding structures must be suitable.
- Minimum dimensions and proper organization of ventilation holes must be observed.
- The product must be connected to the main power outlet, and corresponding connections of other components must be suitable.
- The product must be able to be disconnected from the power supply if needed after installation.
- The outlet or fuse must be accessible to disconnect the product.
- Extension cables or ungrounded (two-terminal) adapters must not be used with this unit.



ATTENTION

You must wear gloves and eye protectors when installing the product.

You must also take measures against high noise levels when using a drill to drill into the floor or wall.



ATTENTION

Make sure that your product is suitable for your local codes.



ATTENTION

The product must be installed by a qualified technician according to the installation instructions.



WARNING

The product may tip over since it is quite heavy. For this reason, safety precautions must be taken. The doors of the product must be kept closed until it reaches the final install destination, and it must be transported in accordance with the installation instructions.

IMPORTANT SAFETY INSTRUCTIONS

DISPOSING OF THE PACKAGING MATERIALS

- The package has been designed to protect the product during transport and shipping. The packaging materials used are designed to not harm the environment and should be recycled after the appliance is installed.
- All plastic packaging materials, bags, etc., must be disposed of safely and kept out of the reach of children.



This Installation Manual has been prepared to help qualified professionals with installation of the appliance. The User Manual provided with the product must also be taken into consideration, as it contains important information about operation and safety. You may get seriously injured and your product may get damaged if you ignore the warnings given in this manual. Please read the following carefully.



Risk of child entrapment. To avoid safety and suffocation risks for children or pets, before you dispose of the appliance, take off the doors and drawers and leave the shelves in place so children or pets may not climb inside.

COMPLIANCE WITH THE WEEE DIRECTIVE AND DISPOSING OF E-WASTE



- This product conforms to the EU WEEE Directive (2012/19 EU).
 - This product bears a classification symbol for "waste electrical and electronic equipment," otherwise known as WEEE.
 - This product has been manufactured from high-quality parts and materials that can be reused and are suitable for recycling.
- Therefore, do not dispose of the product with normal domestic waste or other waste at the end of its service life.
 - Take it to a collection center for recycling electrical and electronic equipment.
 - Please consult your local government authority to learn about appropriate collection center location.

IMPORTANT SAFETY INSTRUCTIONS

CLIMATE CLASS

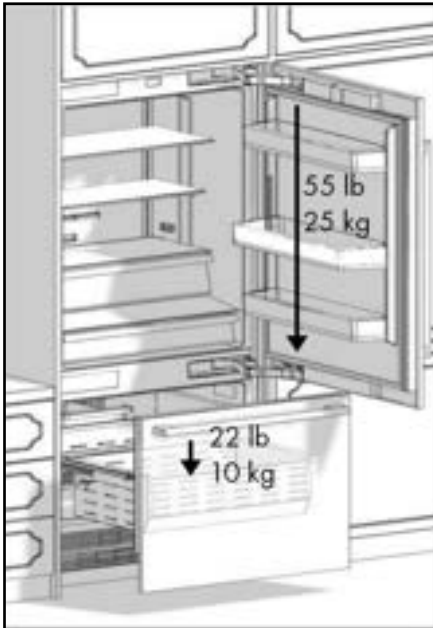
The ambient temperature must be between 61 °F and 90 °F (16 °C and 32 °C). This appliance has been designed to be used in certain climate ranges (ambient temperatures). It must not be used out of this range. Otherwise, function errors may arise when the product is running.

PRODUCT WEIGHT

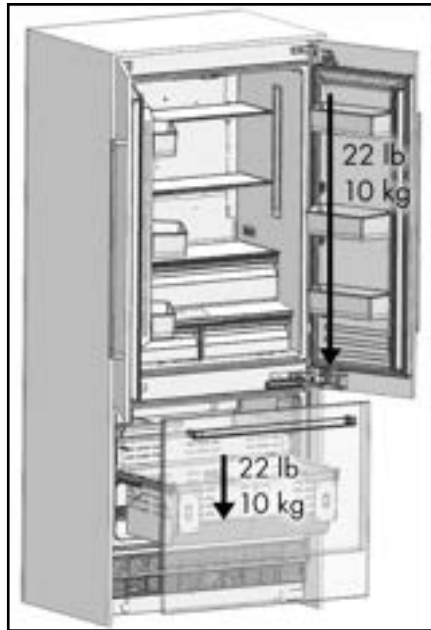
CATEGORY	RBIV-30 SERIES MODELS	RBIV-36 SERIES MODELS	RBIT-36 SERIES MODELS
Product Weight	342 lb (155 kg)	355 lb (161 kg)	373 lb (169 kg)

LOAD BEARING CAPACITY OF THE DOORS

MAX LOAD	RBIV-30 SERIES MODELS	RBIV-36 SERIES MODELS	RBIT-36 SERIES MODELS
Refrigerator Door	55 lb (25 kg)	22 lb (10 kg)	55 lb (25 kg)
Freezer Door	22 lb (10 kg)		



**RBIV-30 SERIES MODELS/
RBIT-36 SERIES MODELS**



RBIV-36 SERIES MODELS

IMPORTANT SAFETY INSTRUCTIONS

INSTALLATION ENCLOSURE

You must follow the instructions below:

- The floor on which the product will be installed must be capable of bearing a minimum of 1,200 pounds (544 kilograms).
- The kitchen floor and bottom of the product must be at the same level. Otherwise, the air flow for the unit's cooling system may be impeded or reduced.
- There must be no objects preventing installation of the product to the back and side walls of the product's cut-out installation area.
- The electrical outlet receptacle must be properly located and easily accessed.
- Cut-out dimensions of the cabinets where the product will be installed must be in strict conformity with the dimensions given in the manual.
- Do not install the refrigerator directly adjacent to another refrigerator unless using the appropriate joining kit. Otherwise, condensation and damage may occur. (Please see "Dual Cabin Installation" on page 10 for imagery.)
- Check if the floor where the product will be installed is level. Use a level when doing so to be sure.
- The installation area must not be subjected to direct sunlight and it must be away from heat sources, such as microwaves, ovens, radiators, etc.
- The ambient temperature must be between 61 °F and 90 °F (16 °C and 32 °C), depending on where the unit is installed. Otherwise, function errors may occur when the product is running.
- If it is not possible to avoid installing the product near a heat source, the minimum clearances given below must be maintained:
 - 2" (51 mm) from electric ranges or ovens.
 - 12" (305 mm) from gas or fuel operated ranges or ovens.

IMPORTANT SAFETY INSTRUCTIONS

Please observe the following rules:

- The dedicated circuit breaker for this unit must be easily accessible in case of an emergency; it must not be hidden behind the product.
- The electrical plug and cord must not touch the back surface of the product. Otherwise, it may get damaged due to the vibration of the product.
- Do not connect the plugs of other appliances behind this product.
- If the humidity level is high where the product is used, corrosion may occur on the outer surface of the product. Keep the area where the unit will be installed dry and well-cleaned to avoid corrosion.



CAUTION

To avoid the risk of electric shock:

- Connect the plug to a dedicated grounded electrical outlet.
- Do not remove the ground terminal of the plug.
- Do not use adapters.
- Do not use extension cables or cords.



ATTENTION

Do not install your refrigerator:

- In open areas.
- In environments where water is dripping.
- In environments where temperature is lower than 61 °F (16 °C).

IMPORTANT SAFETY INSTRUCTIONS



Failure to follow these instructions may result in death, fire, or electric shock. Connecting the grounding conductor of the equipment to an improper place may lead to electric shock. Please have the grounding checked by a qualified electrician or service technician.

Installation, repair, and other procedures performed by unqualified persons may cause danger. Before installing the appliance, make sure that the voltage, load, and circuit current parameters on the data plate are in compliance with the power mains in your house.

The appliance is provided with a NEMA 5-15P plug and a 3-pin power cable, which is in the UL list and ready to be connected to a 120VAC, 60Hz power supply. The fuse is 15 amps, and the appliance must be connected to a dedicated electrical outlet.

If combining multiple units, ZLINE recommends all be plugged into independent circuits. They can be plugged into the same outlet, but the circuit must have a dedicated 15-amp breaker.

If the electrical wiring or power supply of the house needs alteration, the necessary procedures must be performed by a qualified electrician. The plug must be installed only by a licensed electrician.

CABINETS

- Make sure that the cabinets where you will install the appliance have been safely mounted in your kitchen. Your cabinets must be securely connected to the floor and walls properly and with suitable connections.
- For the best installation, clearances between the cabinets and the product must be in compliance with the values specified in the installation instructions of this manual.
- Side walls must be free of any obstructions and their surfaces must be flat.
- **NOTE:** Minimum thickness of the side walls is 5/8" (16 mm). The minimum thickness of the doors to be attached to the product must be 3/4" (19 mm). For a 25" (635 mm) flush inset depth on RBIV-36 models, the maximum door panel thickness for both of the doors is 3/4" (19 mm).

IMPORTANT SAFETY INSTRUCTIONS

VENTILATION

Ventilation panels where the air enters and exits the unit must not be blocked or obstructed. In addition, you must periodically clean the dust and dirt that accumulates on the vent holes to ensure adequate ventilation.

ELECTRICAL CONNECTION

- Never use an extension cable or cord with this unit.
- The dedicated electrical outlet receptacle for this unit must be grounded and checked by an authorized electrician.
- The location of the electrical wiring must comply with the dimensions specified in this installation manual.



CAUTION

RISK OF ELECTRIC SHOCK

Electrical grounding is necessary. This appliance is equipped with a 3-pin plug to protect you against possible electric shocks.

- Do not remove the round grounding terminal from the plug.
- Do not use 2-pin grounding adapters.
- Do not use extension cables or cords to energize the product.



ATTENTION

Do not connect the grounding cable to any gas pipes. Please have the grounding checked by a qualified electrician if you are not sure about the grounding of the product. Do not install a fuse on the neutral line or grounding circuit.



WARNING

Please wait 3-6 hours after installing the unit before plugging it in to protect it against possible damages. This way, the refrigerant and the lubricants in the system are given proper time to balance.

WATER CONNECTION

The pressure of the main water supply must be in compliance with the values specified in this manual, and the location of the water system must comply with the dimensions specified in this manual.



INFO

Using the provided water filter bypass plug is recommended for the unit's water filtering system if a reverse osmosis system is used. Reference the User Manual for directions on how to install the water filter and/or the bypass plug.

BEFORE INSTALLATION

TOOLS REQUIRED

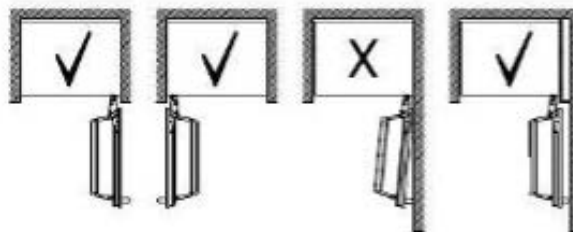
Tools to be used when installing the product are as follows (additional tools that may assist in installation are not listed here):

TOOLS REQUIRED (NOT PROVIDED)	
<ul style="list-style-type: none">• Cordless Drill• Safety Goggles• 1/2" Wrench• Hammer• Ladder• 3/32" Drill Bit• 5/16" Drill Bit• Box Cutter• Socket Wrench	<ul style="list-style-type: none">• Safety Gloves• Tape Measure• 1/4" Torx Bit• 1/4" Flat Wrench• 1/4" Hex Bit• Level• Dolly or Hand Truck• Tape

ALTERNATIVES FOR INSTALLATION

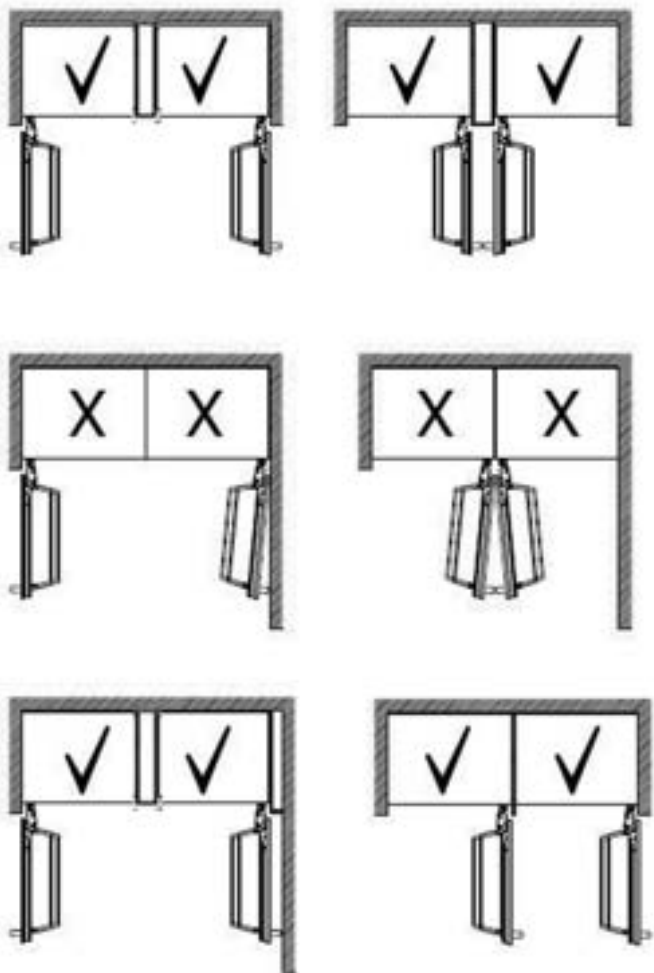
- The product can be placed in various ways based on the kitchen design. It must be installed at a place where it is ensured that the door can be opened and closed properly.
- If the doors cannot be opened 90° at least, you cannot completely open the drawers inside the product. **NOTE:** The unit's hinges are designed to allow doors to open up to 115°.

SINGLE CABIN INSTALLATION METHODS



BEFORE INSTALLATION

DUAL CABIN INSTALLATION METHODS

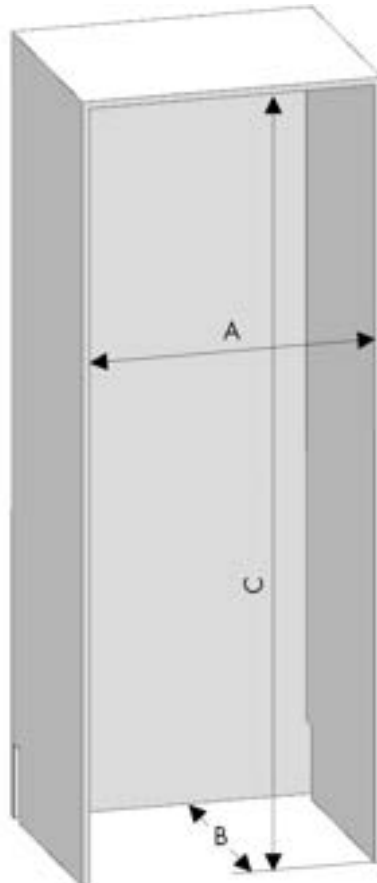


BEFORE INSTALLATION

PREPARATION FOR INSTALLATION AND CABINET CUTOUTS

- ZLINE RBIV and RBIT built-in refrigerators are panel-ready appliances designed to be a permanent kitchen fixture; therefore, precise cutouts and superior attention to detail are required for seamless integration, especially if custom panels are installed. The most common scenario is the unit is installed between two kitchen cabinets or decorative columns.
- The refrigerator comes with a 2 9/16" (65 mm) stainless steel toe kick installed to fit a standard 84" (2134 mm) tall cabinet.
- **NOTE:** Kitchen layouts may vary, so recommended dimensions must be confirmed by a qualified technician before starting the installation.

CATEGORY		RBIV-30 SERIES MODELS	RBIT-36/RBIV-36 SERIES MODELS
A	Width	30" (762 mm)	36" (914 mm)
B	Depth	25" (635 mm)	25" (635 mm)
C	Height	84" (2134 mm)	84" (2134 mm)

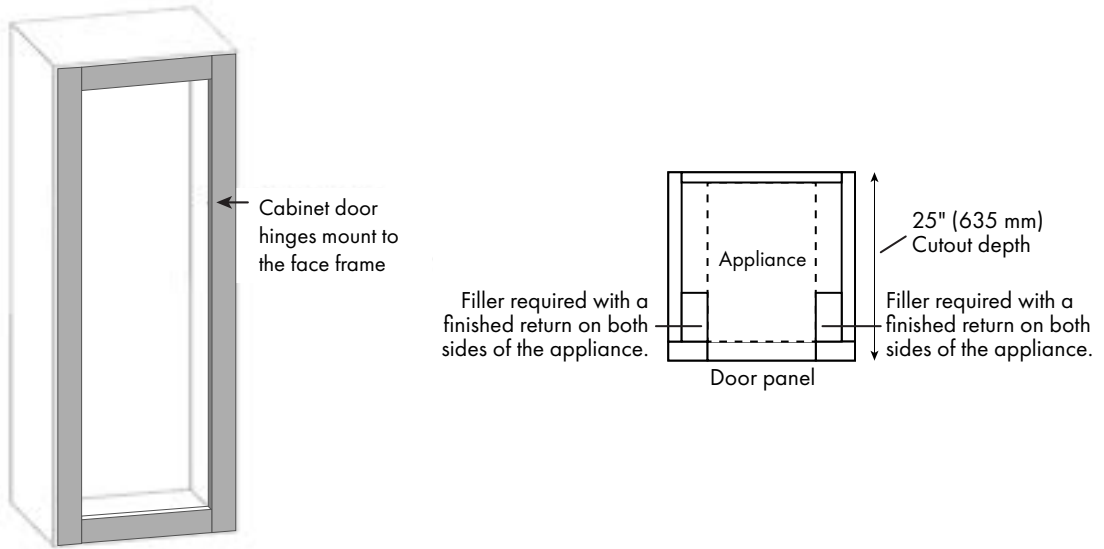


BEFORE INSTALLATION

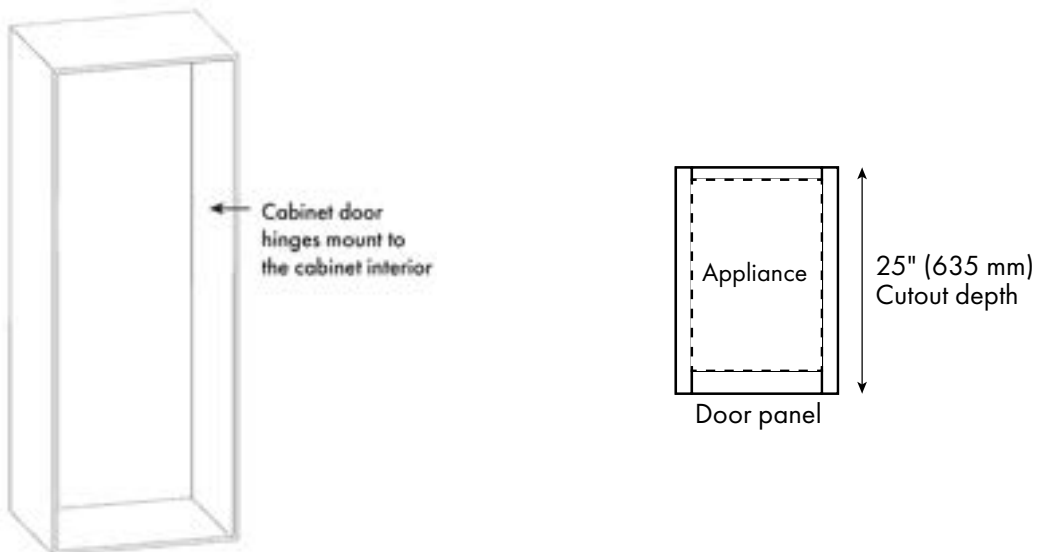
CABINERY PLANNING

NOTE: If you have an existing framed cabinet, you need to add a filler behind the face frame in order to properly mount the side brackets. If you don't have a filler, you'll have a gap and won't be able to safely install your unit(s).

FRAMED CABINET



FRAMELESS CABINET



BEFORE INSTALLATION

LOCATION OF THE ELECTRICAL WIRING

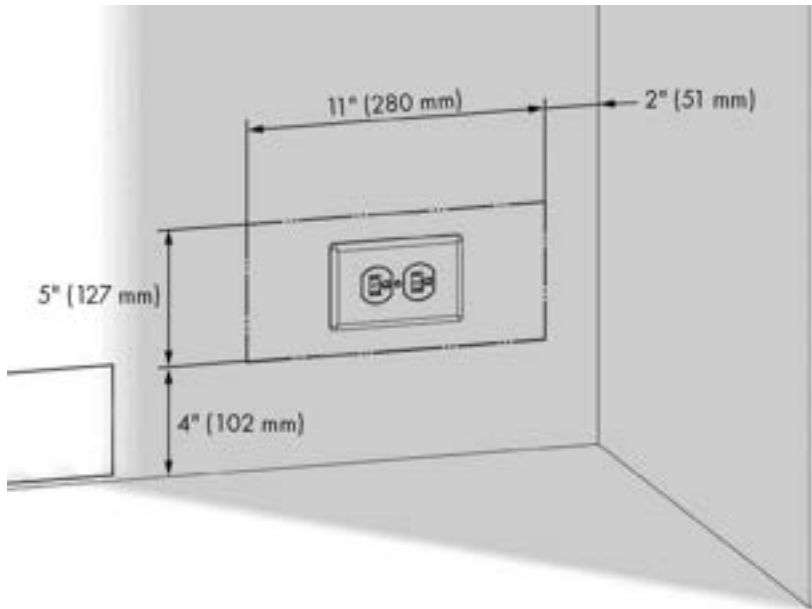
- The location of the electrical outlet must be within the range provided below.
- Using an outlet with a ground fault circuit interrupter (GFCI) is not recommended.



Do not use extension cables or cords or 2-pin adapters, and do not remove the ground terminal of the grounding cable.



A qualified electrician must ensure that the poles of the socket are connected correctly. A qualified electrician must also verify that the grounding of the socket is correct.



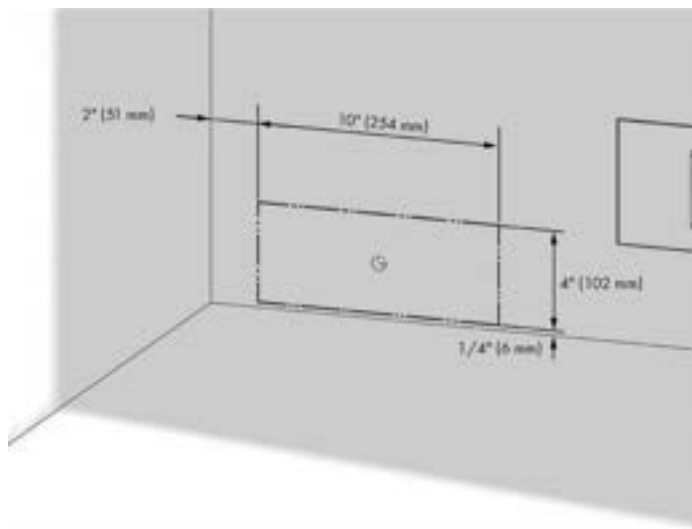
BEFORE INSTALLATION

LOCATION OF THE WATER SYSTEM

- The water connected to the refrigeration unit must be potable.
- The location of the water system must be within the range provided below.
- The unit's water system must be connected to the main water system in the house. **The user must be able to switch the water system on/off with a valve when necessary.**
- Objects that may pierce the water hoses or cause them to twist must not be present where the water line is installed.
- Pressure of the water system must be between 25-80 psi (1.7-5.5 bar).
- If the water pressure exceeds 80 psi (5.5 bar), install a pressure-limiting device or water pressure protector to the inlet valve. Never install or operate the appliance if it's possible for the water pressure to exceed 120 psi (8.3 bar).



- **Make sure there is no leakage when making water connections. Otherwise, there will be water on the floor and the cabinets may get damaged.**
- You will need a hose with a minimum length of 60" (1524 mm) and a diameter of 1/4" (6 mm) for water connections of the product during installation.
- A connector that has a thread with an external diameter of 1/4" (6 mm) must be used to connect the hose end to the product.
- Before completing installation, make sure water flows and there is no leakage. Damage may occur if leaks are present.

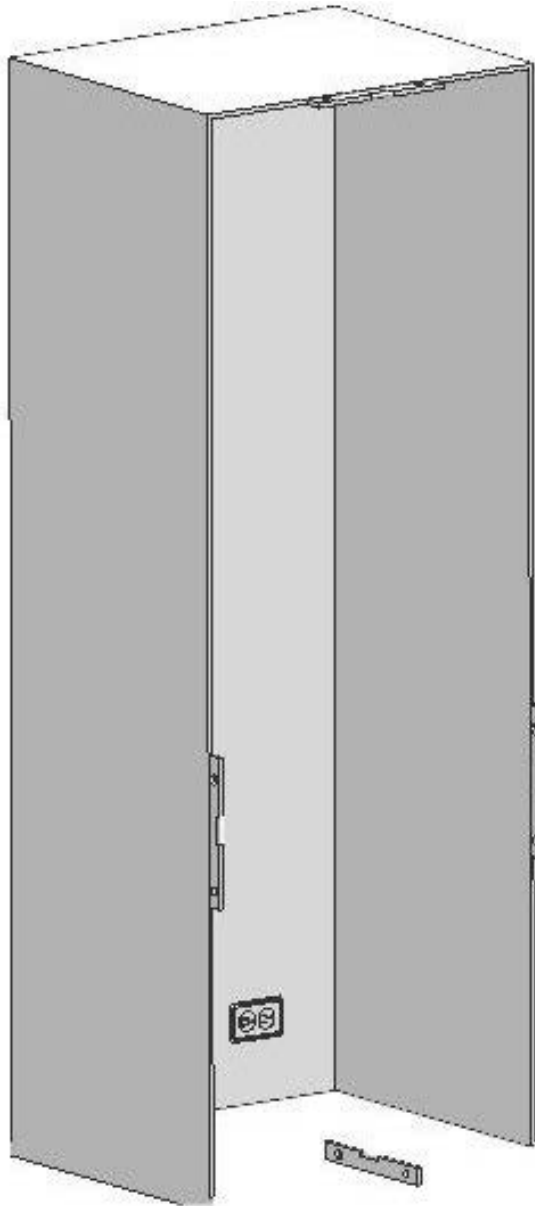


BEFORE INSTALLATION



WARNING

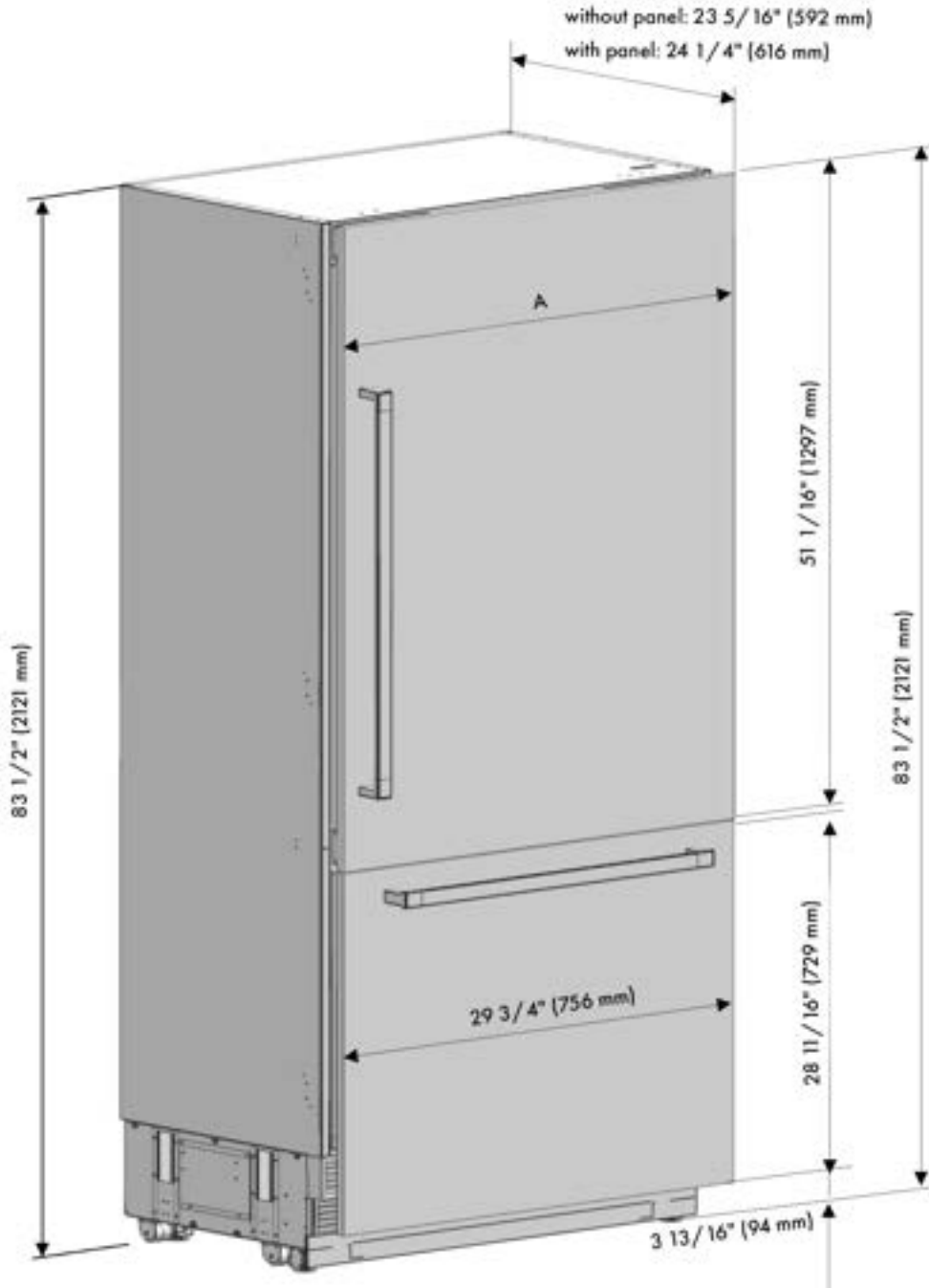
- Check if the floor where the appliance will be installed is perfectly level. Use a level as shown below.
- Check if the cabinet flanges are upright and straight using a level.
- If the product is not level and plumb, problems may arise with installation and eventual operation of the unit.



BEFORE INSTALLATION

PRODUCT DIMENSIONS

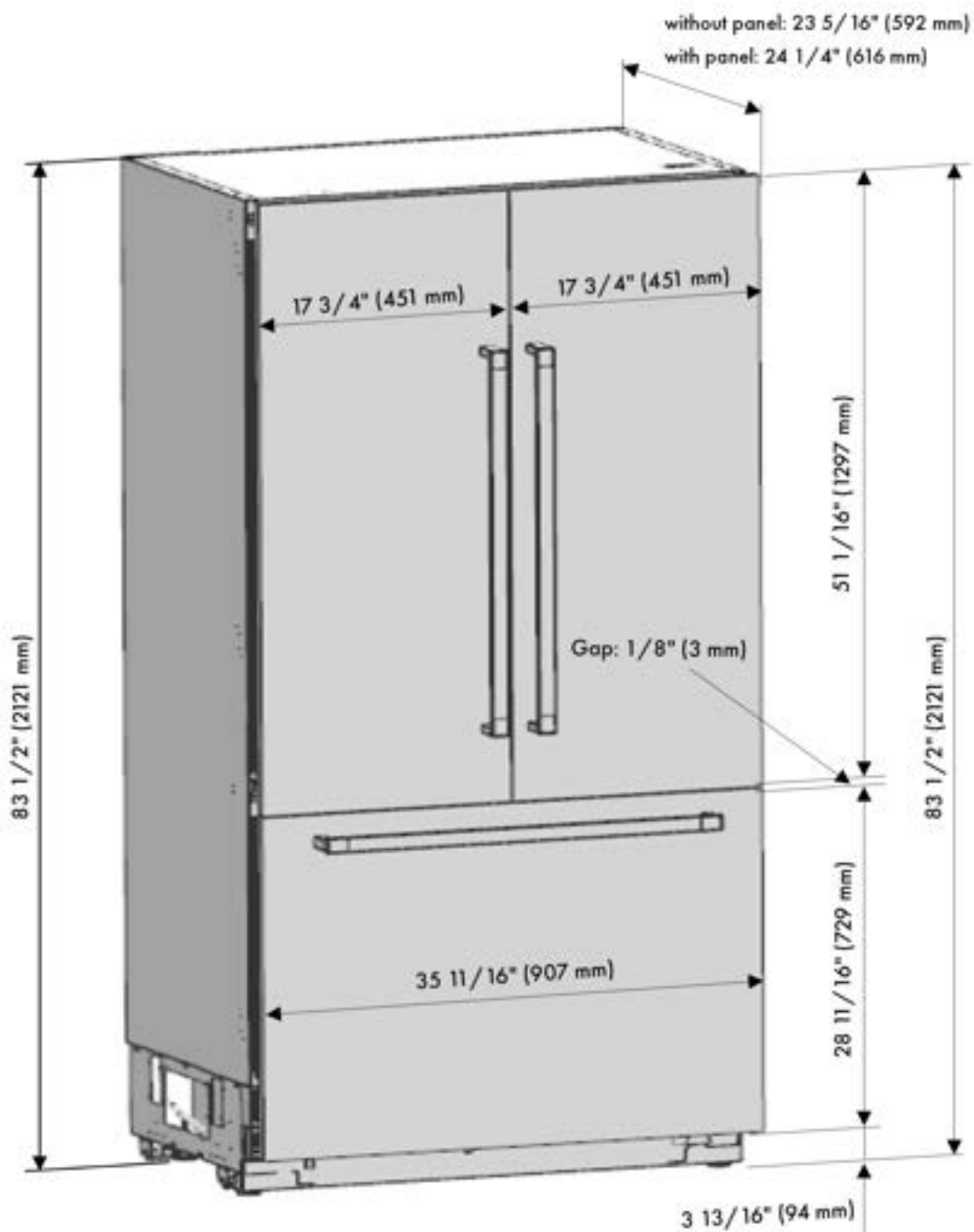
CATEGORY	RBIV-30 SERIES MODELS	RBIT-36 SERIES MODELS
A	29 3/4" (756 mm)	35 3/4" (908 mm)



BEFORE INSTALLATION

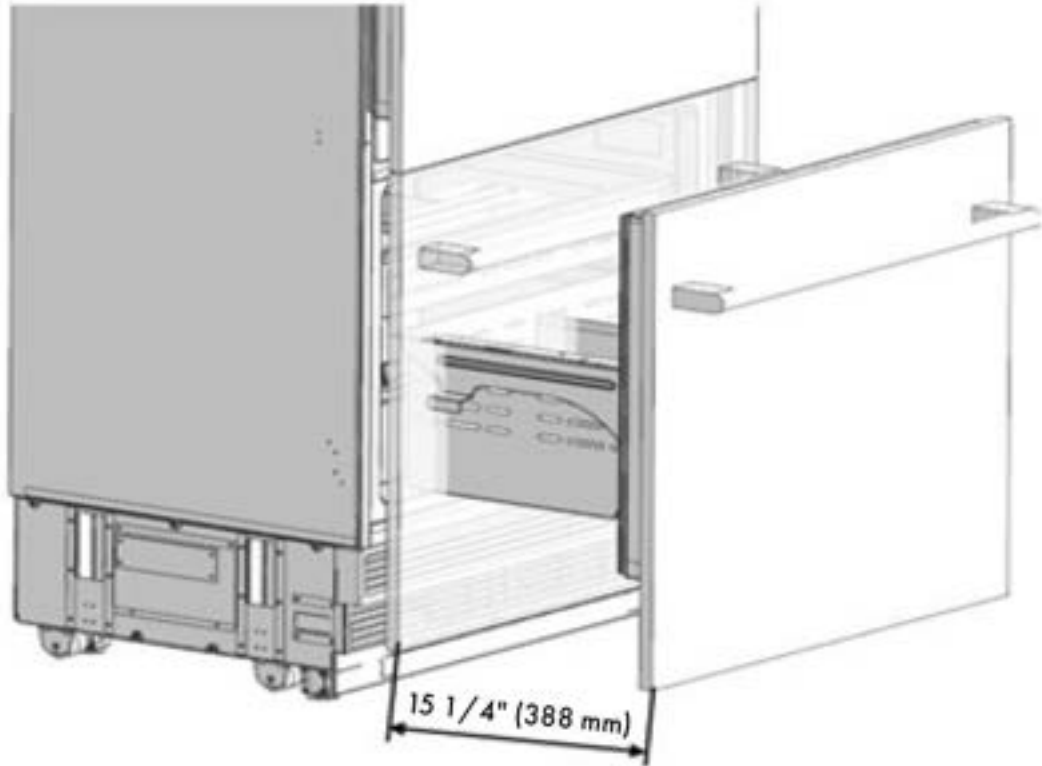
PRODUCT DIMENSIONS

RBIV-36 SERIES MODELS



BEFORE INSTALLATION

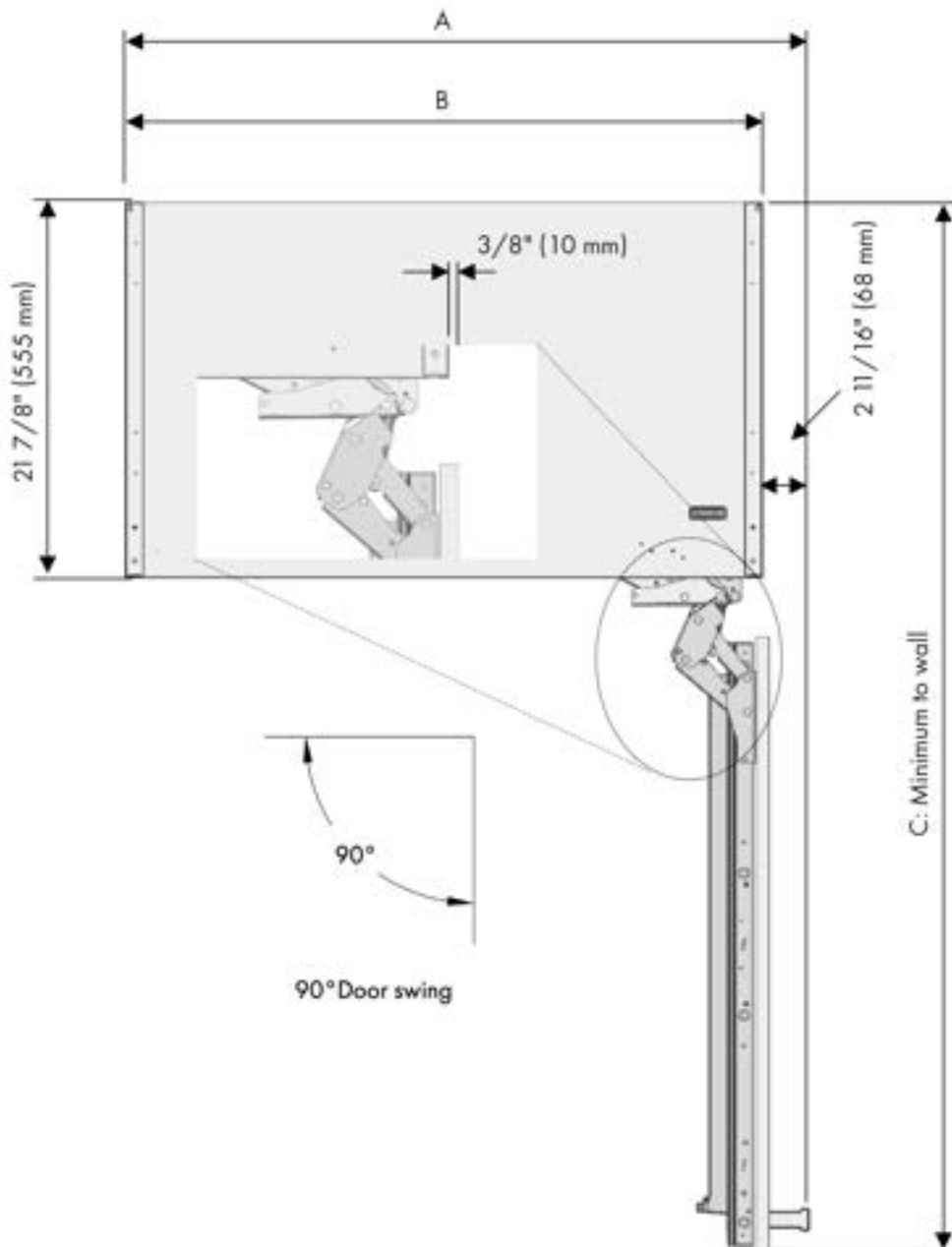
PRODUCT DIMENSIONS



BEFORE INSTALLATION

DOOR OPENING DIMENSIONS

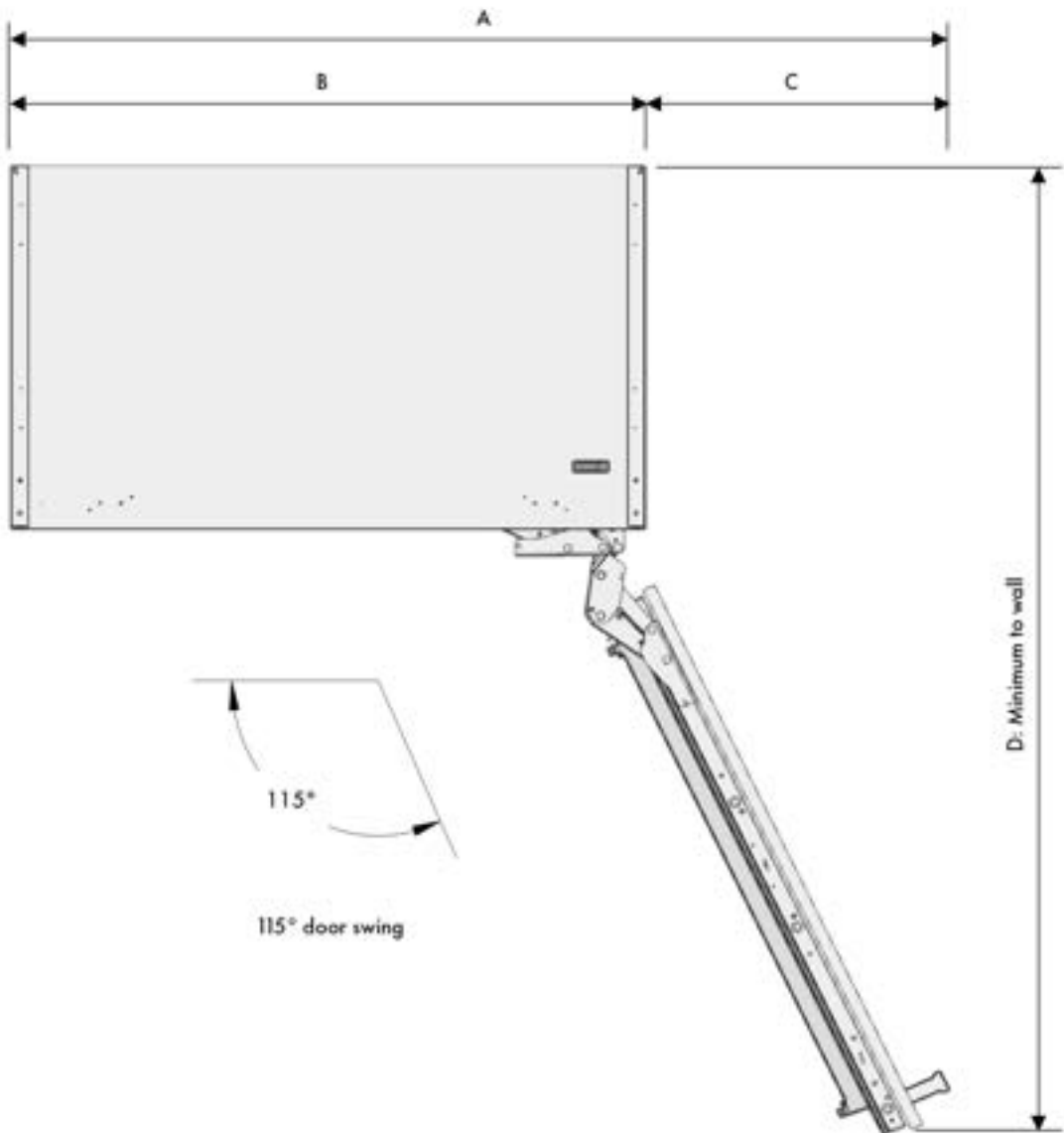
CATEGORY	RBIV-30 SERIES MODELS	RBIT-36 SERIES MODELS
A	32 7/16" (824 mm)	38 7/16" (976 mm)
B	29 3/4" (756 mm)	35 3/4" (908 mm)
C	55 1/16" (1398 mm)	61" (1550 mm)



BEFORE INSTALLATION

DOOR OPENING DIMENSIONS

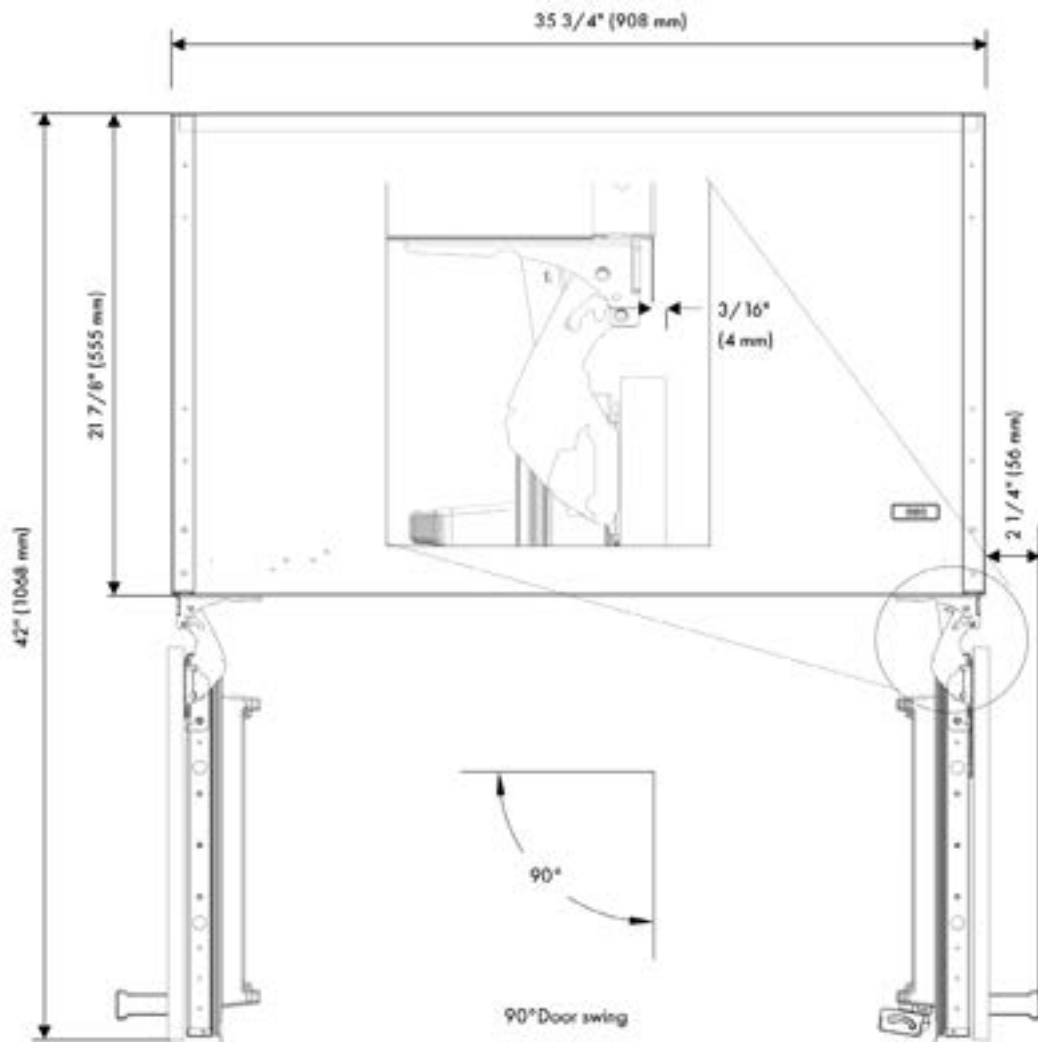
CATEGORY	RBIV-30 SERIES MODELS	RBIT-36 SERIES MODELS
A	44 3/8" (1127 mm)	54 3/4" (1391 mm)
B	29 3/4" (756 mm)	35 3/4" (908 mm)
C	14 5/8" (371 mm)	19" (483 mm)
D	52 11/16" (1338 mm)	57 11/16" (1466 mm)



BEFORE INSTALLATION

DOOR OPENING DIMENSIONS

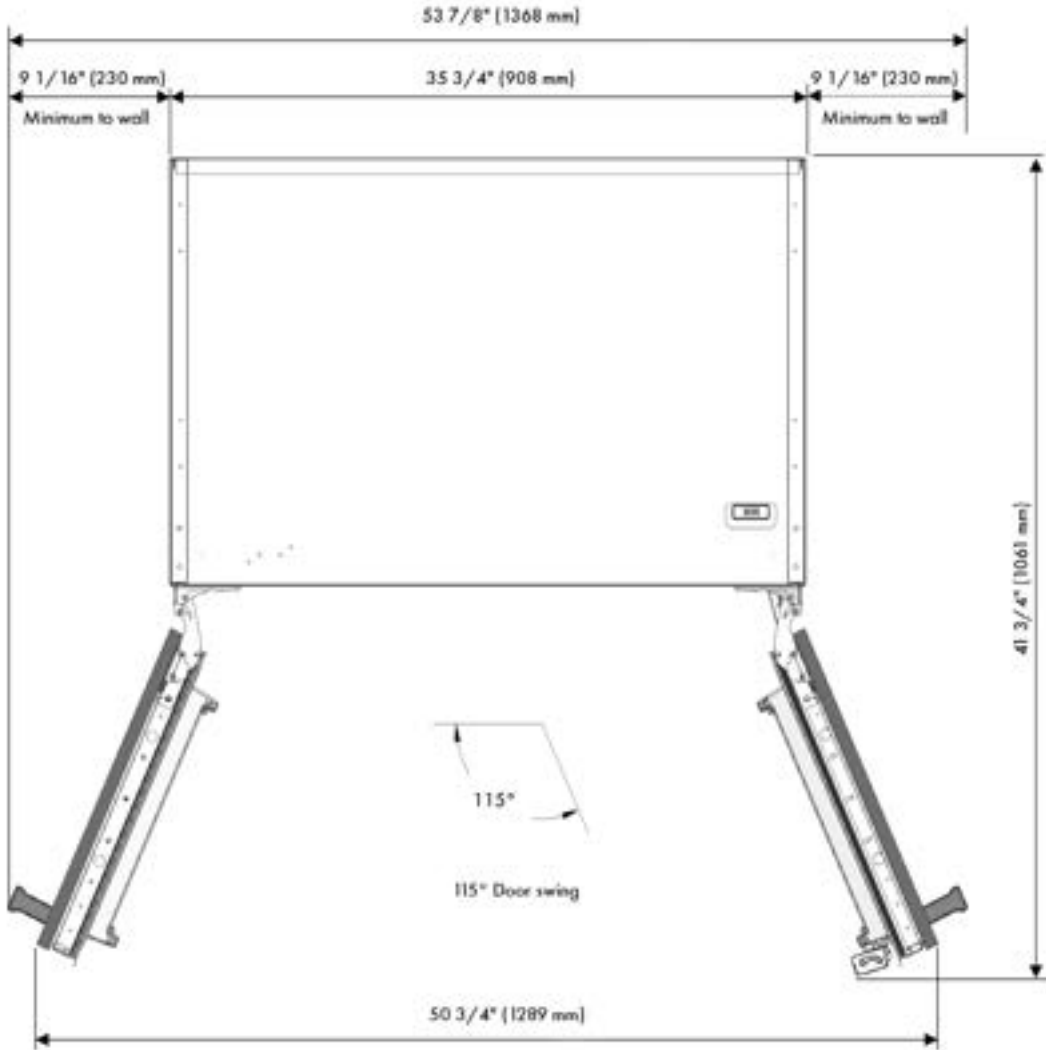
RBIV-36 SERIES MODELS



BEFORE INSTALLATION

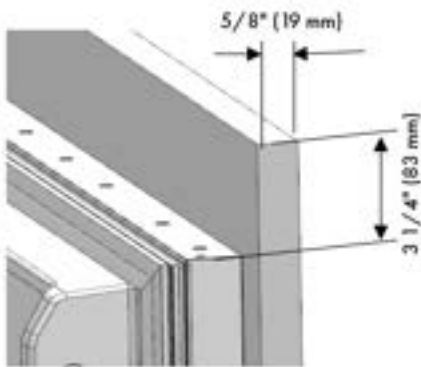
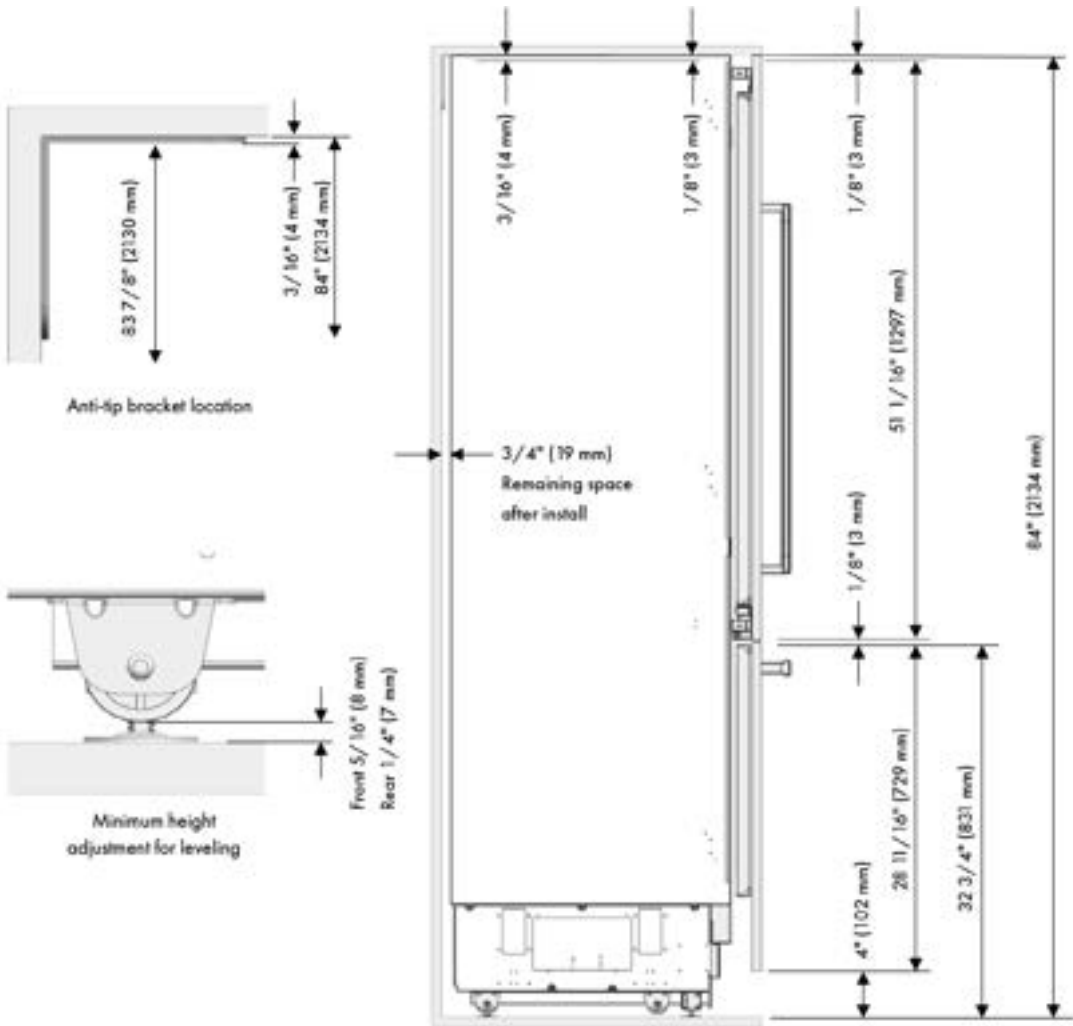
DOOR OPENING DIMENSIONS

RBIV-36 SERIES MODELS

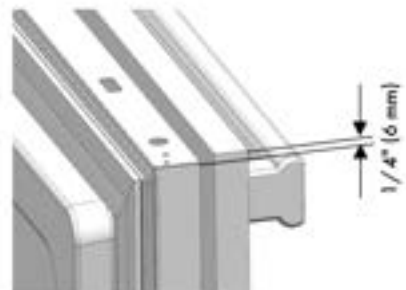


BEFORE INSTALLATION

DETAILED DIMENSIONS



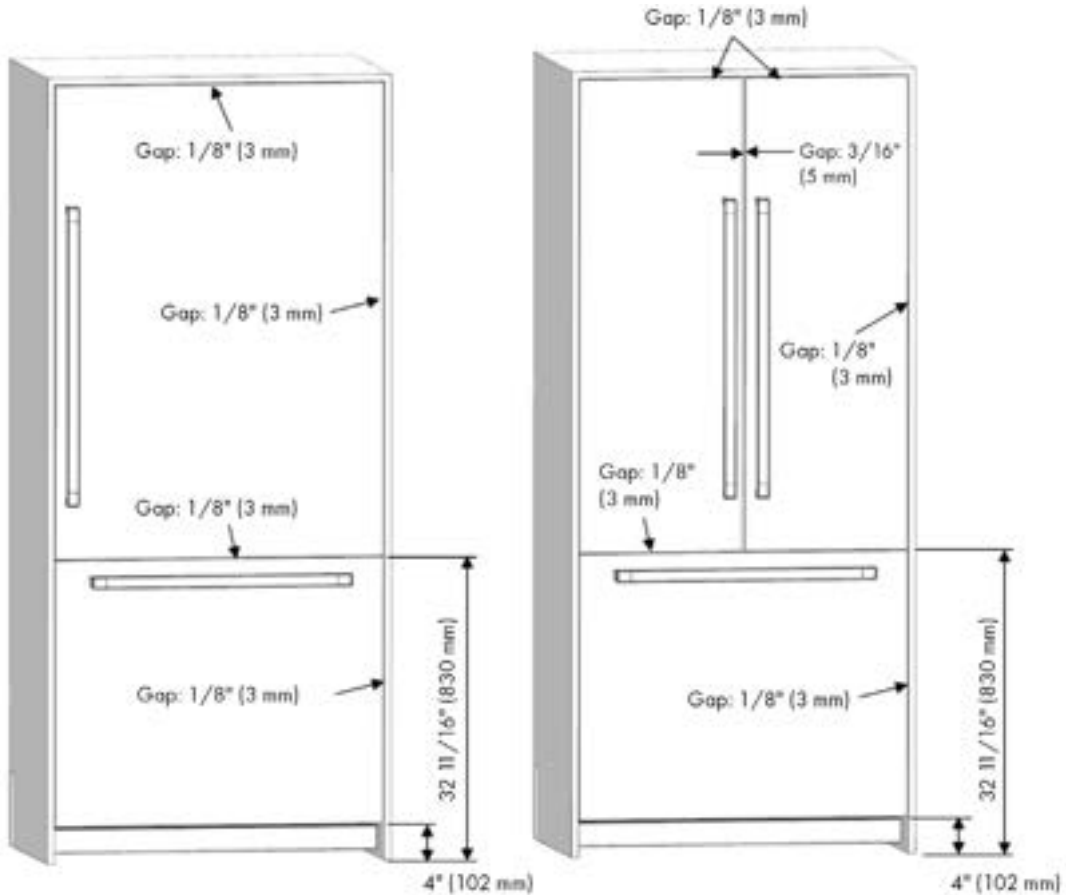
Assembly dimension between panel and refrigerator door



Assembly dimension between panel and freezer door

BEFORE INSTALLATION

PRODUCT AND CABINET DIMENSIONS



RBIV-30/RBIT-36 SERIES MODELS

RBIV-36 SERIES MODELS

NOTES:

- These gap measurements are the same for custom panels and ZLINE-provided panels.
- The refrigerator comes with a 2 9/16" (65 mm) stainless steel toe kick installed to fit a standard 84" (2134 mm) tall cabinet.
- **NOTE:** Minimum thickness of the side walls is 5/8" (16 mm). The minimum thickness of the doors to be attached to the product must be 3/4" (19 mm). For a 25" (635 mm) flush inset depth on RBIV-36 models, the maximum door panel thickness for both of the doors is 3/4" (19 mm).



WARNING

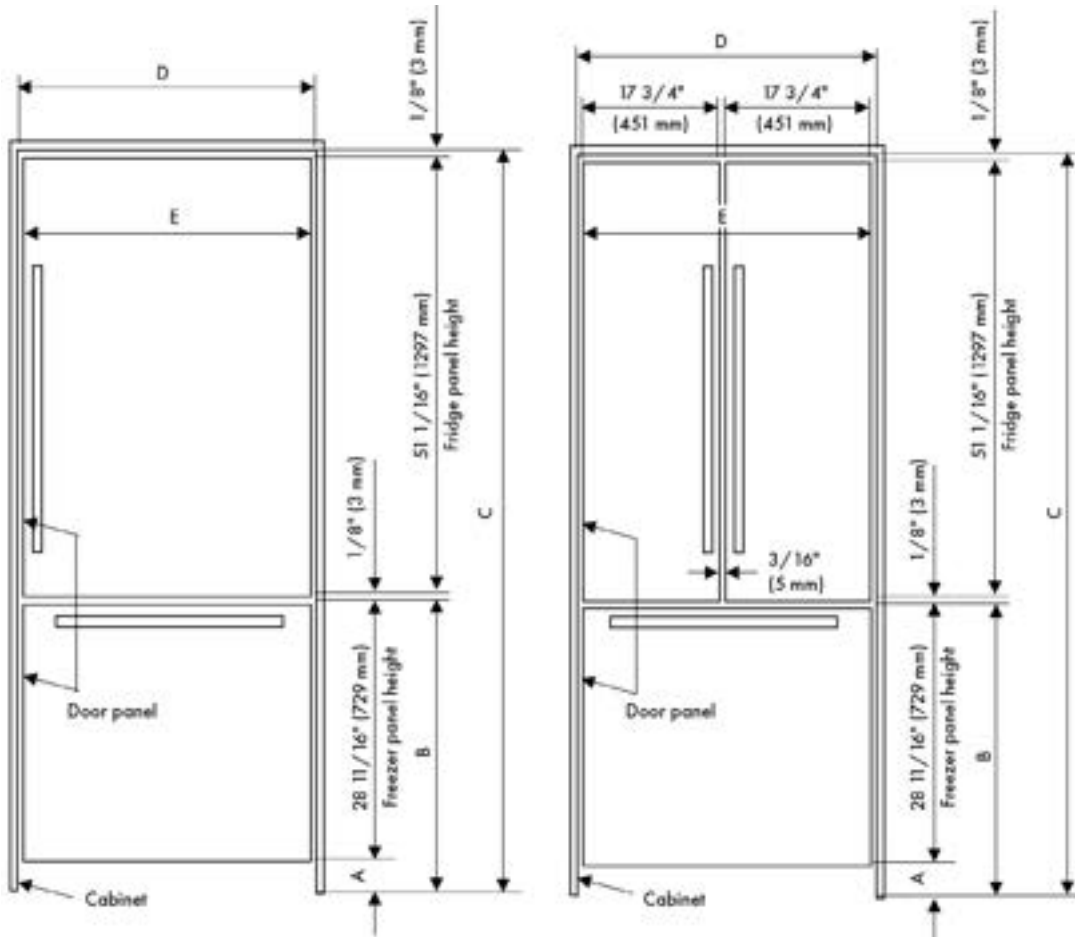
The maximum weights of the door panels to be mounted to the product are as follows. Anything heavier increases the risk of the product tipping, and serious injuries may occur:

- Refrigerator Door(s): 36 lb (16 kg)
- Freezer Door: 20 lb (9 kg)

BEFORE INSTALLATION

MINIMUM/MAXIMUM HEIGHT OF THE CABINET CUTOUT

	A	B	C
Standard	4" (102 mm)	32 11/16" (831 mm)	84" (2134 mm)
Minimum	3 13/16" (97 mm)	32 1/2" (826 mm)	83 13/16" (2129 mm)
Maximum	5 3/8" (137 mm)	34 1/8" (866 mm)	85 3/8" (2169 mm)



CATEGORY	RBIV-30 SERIES MODELS	RBIV-36/RBIV-36 SERIES MODELS
D: Cabinet cutout width	30" (762 mm)	36" (914 mm)
E: Width of refrigerator	29 3/4" (756 mm)	35 3/4" (908 mm)

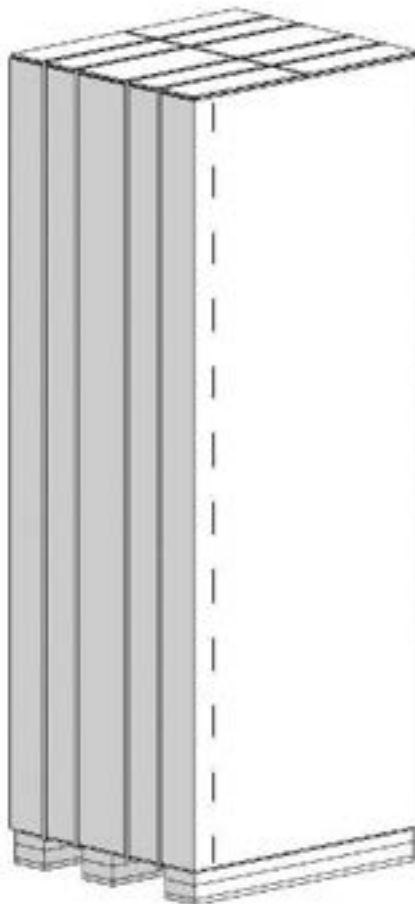
BEFORE INSTALLATION

UNPACKING

- Use a box cutter to remove tape on the box packaging.
- Cut the box packaging through the section illustrated in dotted lines in the figure below and remove it.
- If this refrigerator was purchased with door panels, the panels and handles ship in multiple boxes and require additional assembly upon installation.
- Please note the diagrams on the following pages will alternate showing the appliance with and without panels installed; this is done purposefully to show how the item will look panel-ready versus with panel installed.
- Door panel preparation and installation is covered starting on page 52.

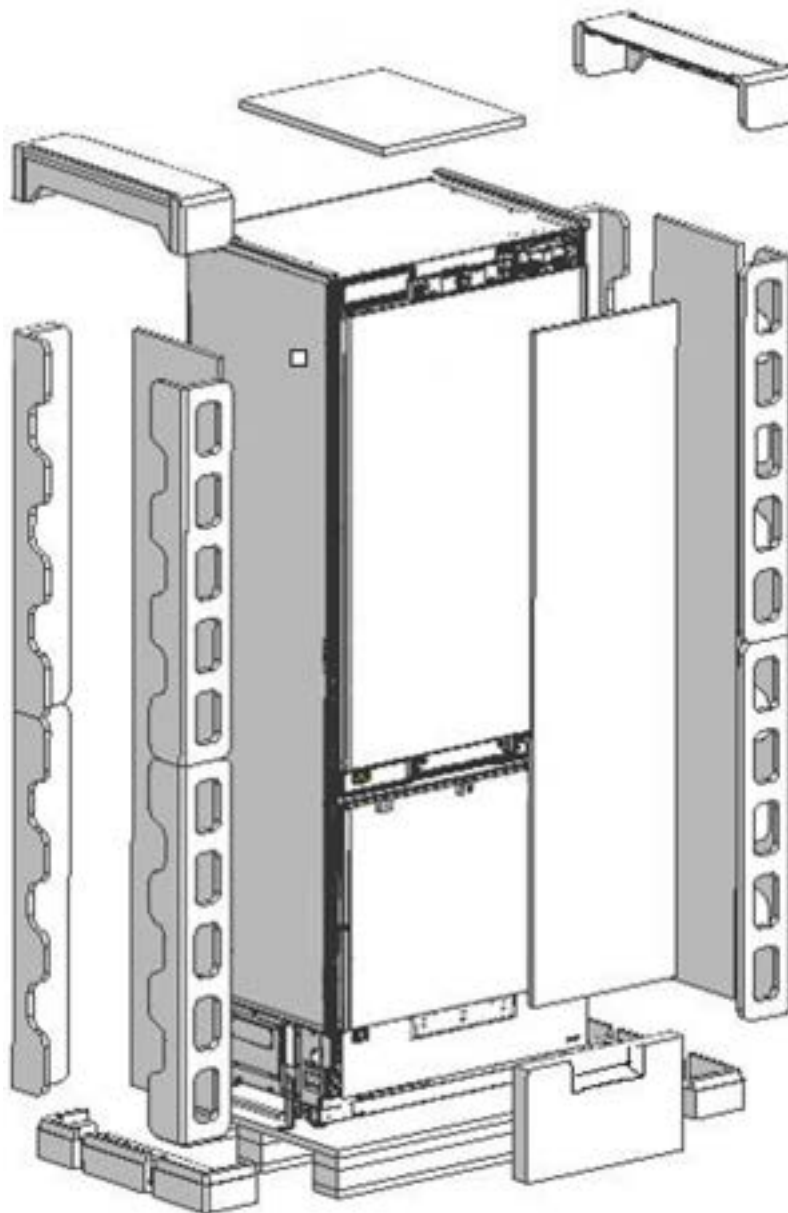


Due to refrigerators weighing between 342 and 355 pounds (155 and 161 kilograms), at least two people must move units when unpacking and installing.



BEFORE INSTALLATION

REMOVE ALL THE POLYSTYRENE PACKAGING MATERIAL

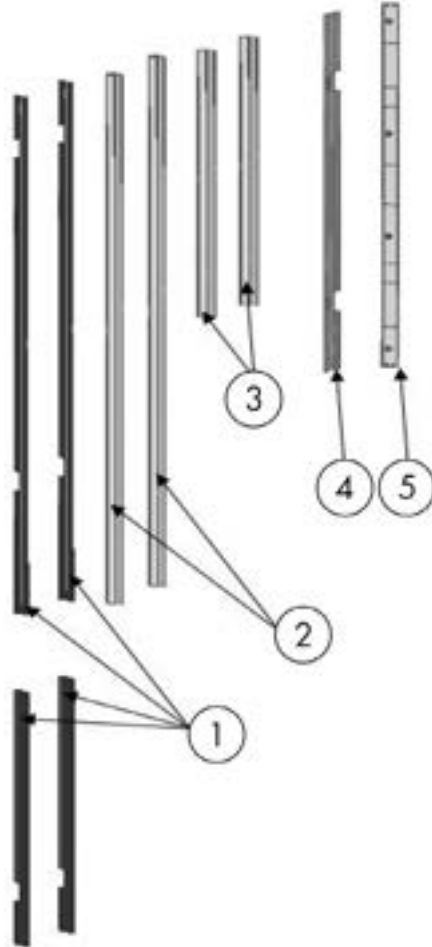


BEFORE INSTALLATION

PARTS PROVIDED

NOTE: THE REFRIGERATOR TRIM PARTS ARE BOXED AND SECURED TO THE REAR OF THE REFRIGERATOR

Check to ensure all parts are included, then set aside for later.

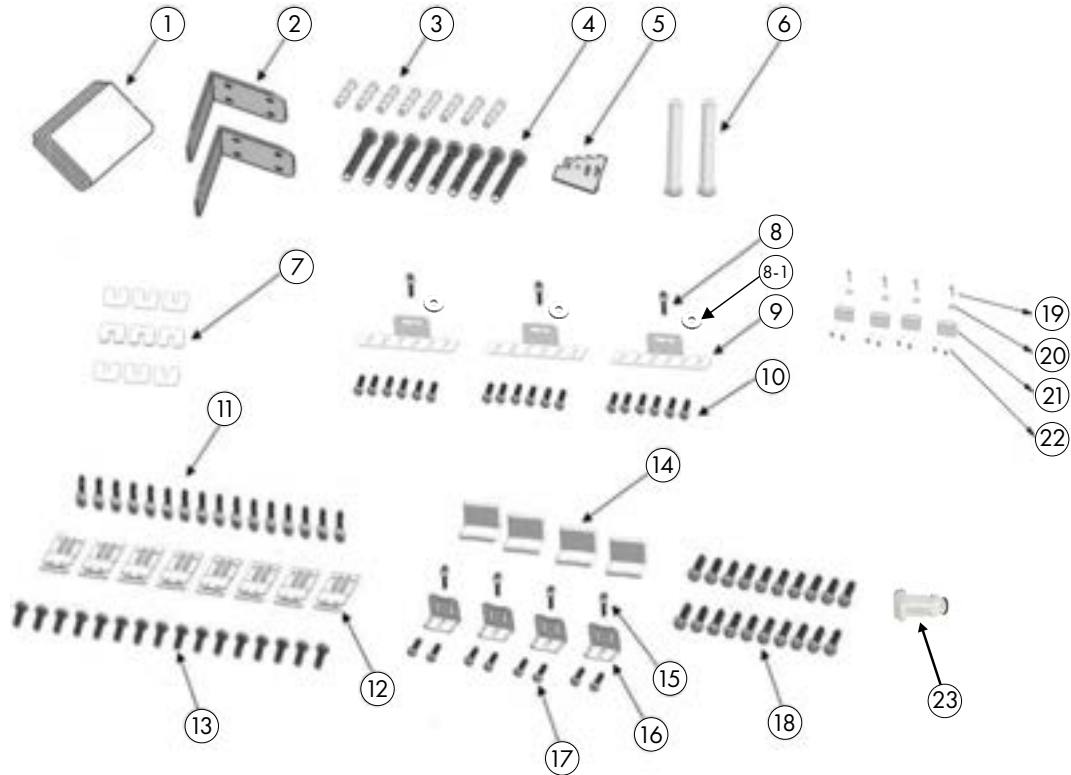


PART NAME	SPECIFICATION	QTY	
		RBIV-30/RBIT-36 SERIES MODELS	RBIV-36 SERIES MODELS
1. Refrigerator/freezer cabinet side trim	24 5/16", 49 9/16" (617 mm, 259 mm)	4	4
2. Refrigerator door side trim	44 3/4" (1136 mm)	2	4
3. Freezer door side trim	21 7/8" (556 mm)	2	2
4. Refrigerator cabinet top trim	30", 36" (762 mm, 914 mm)	1	1
5. Freezer door top cover	-	1	1

BEFORE INSTALLATION

REMOVE MOUNTING PARTS FROM THE FREEZER COMPARTMENT

- Open the freezer compartment door and remove the packages containing the mounting parts and check to ensure all parts are included.

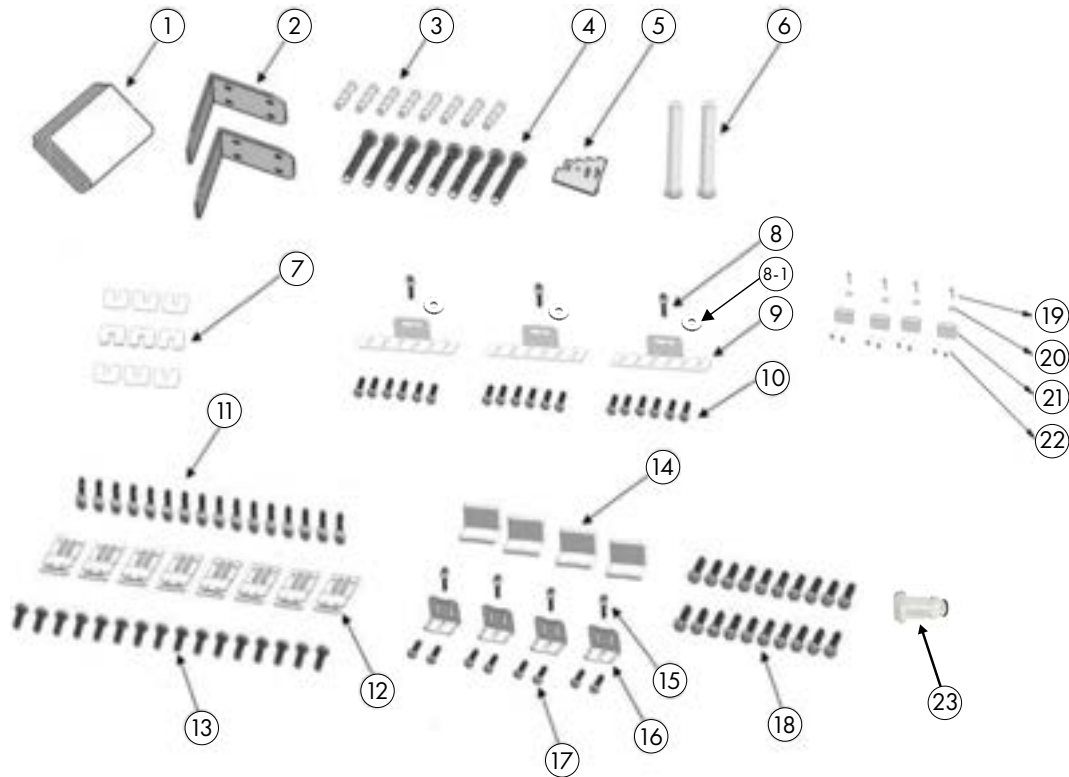


PART NAME	SPECIFICATION	IMAGE	QTY	
			RBIV-30/RBIT-36 SERIES MODELS	RBIV-36 SERIES MODELS
1. Door panel preparation template	-	-	1	1
2. Anti-tip bracket	-	-	2	2
3. Anti-tip screw anchors	-		8	8
4. Anti tip bracket screws	M8 x 60 mm		8	8
5. Position adjustment gauge	-	-	1	1
6. 90° limiting pins	-	-	1	2
7. Freezer door adjustment spacer	-	-	9	9
8. Screws to secure freezer door panel hanger bracket to door	ST5 x 16 mm		3	3
8-1. Washers for freezer door panel hanger bracket	M5 x 1.2 x 1.2 mm	-	3	3
9. Freezer door panel hanger bracket	-	-	3	3
10. Screws for to secure freezer hanger bracket to panel	ST4 x 14 mm		18	18
11. Screws to secure cabinet mounting bracket to side and top of refrigerator	M4 x 12 mm		16	16
12. Cabinet mounting bracket	-	-	8	8

BEFORE INSTALLATION

REMOVE MOUNTING PARTS FROM THE FREEZER COMPARTMENT

- Open the freezer compartment door and remove the boxes and packages containing the mounting parts and check to ensure all parts are included.

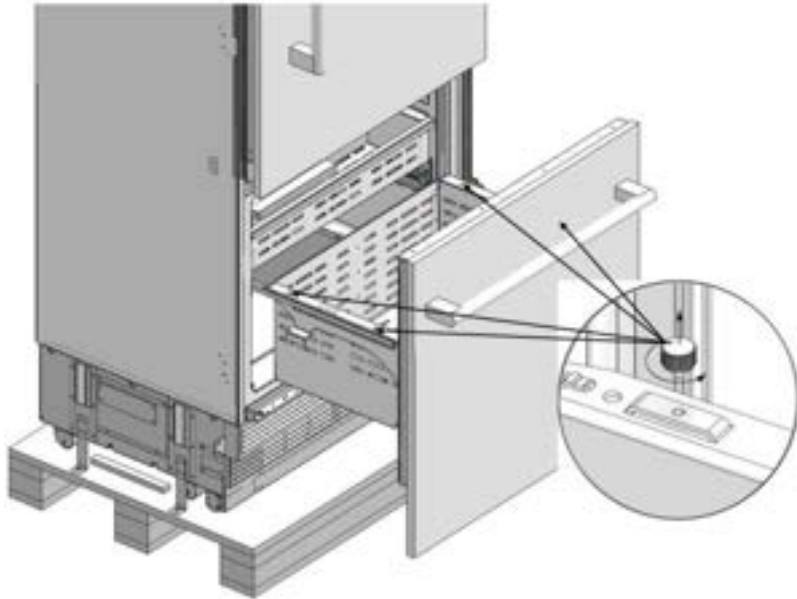


PART NAME	SPECIFICATION	IMAGE	QTY	
			RBIV-30/RBIT-36 SERIES MODELS	RBIV-36 SERIES MODELS
13. Screws to secure cabinet mounting brackets to cabinet cutout	ST4 x 14 mm		16	16
14. Door panel connecting bracket cover	-	-	4	2
15. Screws to secure door panel connecting bracket to door	M4 x 12 mm		4	2
16. Door panel connecting bracket	-	-	4	2
17. Screws to secure door panel connecting bracket to panel	ST4 x 14 mm		8	4
18. Screws for refrigerator door panel hanger bracket	ST4 x 14 mm		20	24
19. Screws to secure washer to panel side mounting bracket	M4 x 12 mm		-	4
20. Washer for panel side mounting bracket	-	-	-	4
21. Panel side mounting bracket	-	-	-	4
22. Screws to secure panel side mounting bracket	ST4 x 14 mm		-	8
23. Water filter bypass plug (if needed)	-		1	1

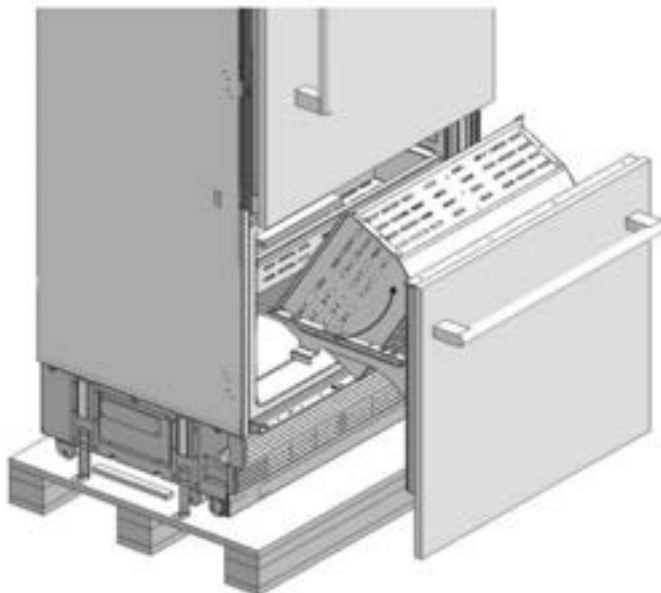
INSTALLATION

REMOVING THE LOWER FREEZER DRAWER

- **NOTE:** We recommend removing the lower freezer drawer and door for easier toe kick and feet access when installing the appliance.
- To remove the lower freezer drawer, unscrew the four thumb screws by hand as shown below and put them in a safe place.



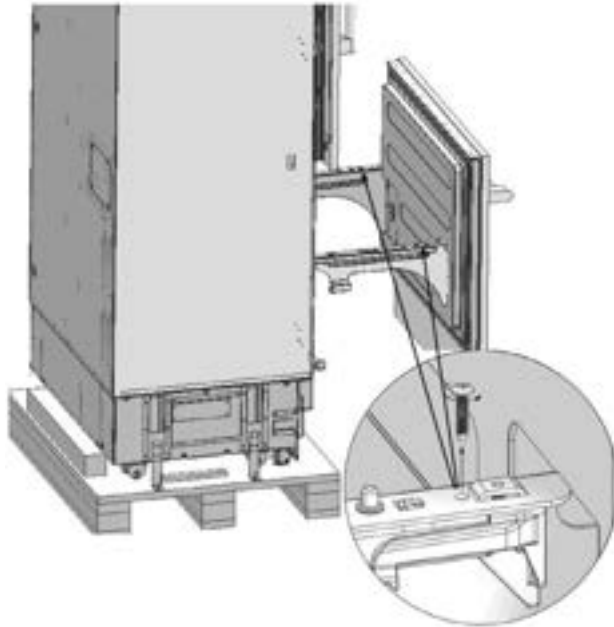
- Remove the drawer by lifting it up and pulling out.



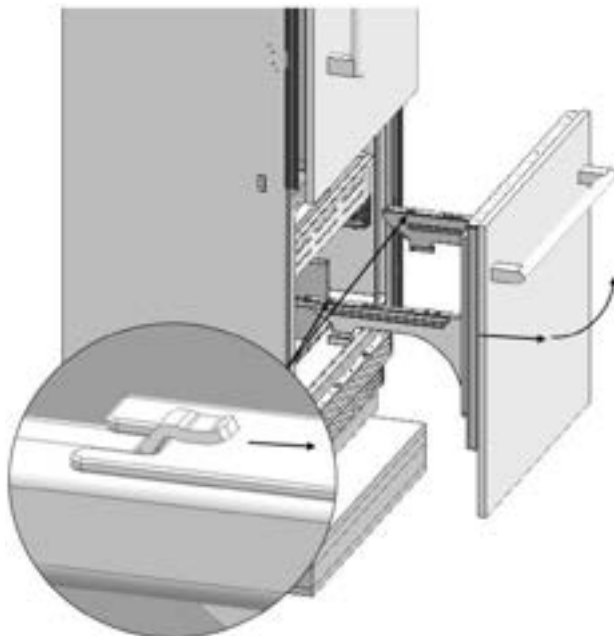
INSTALLATION

REMOVING THE FREEZER DOOR

- Locate and remove the two Phillips-head screws near the front section of the support rails that connect to the freezer door.



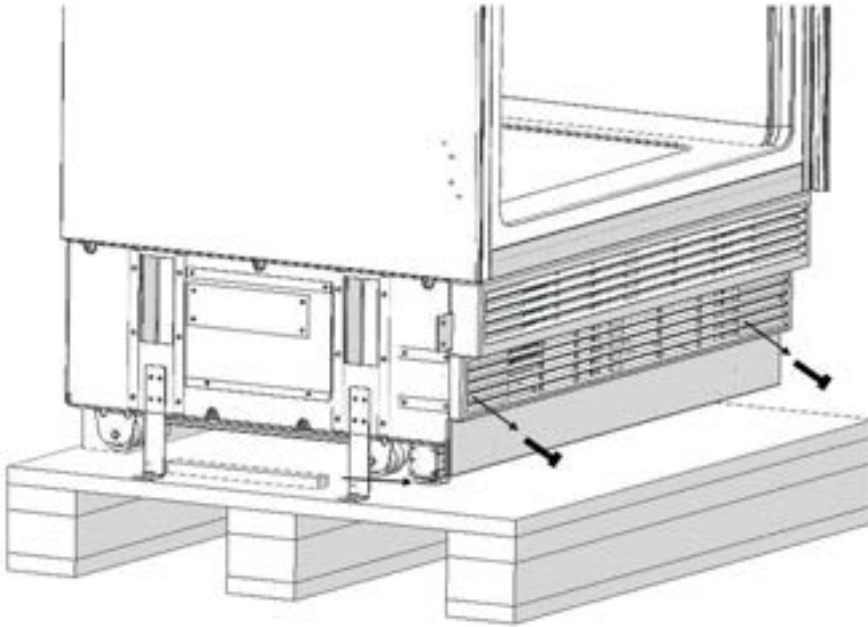
- While supporting the freezer door, carefully pull the door forward while freeing it from the rear rail lock tabs and lift up and away to remove it.



INSTALLATION

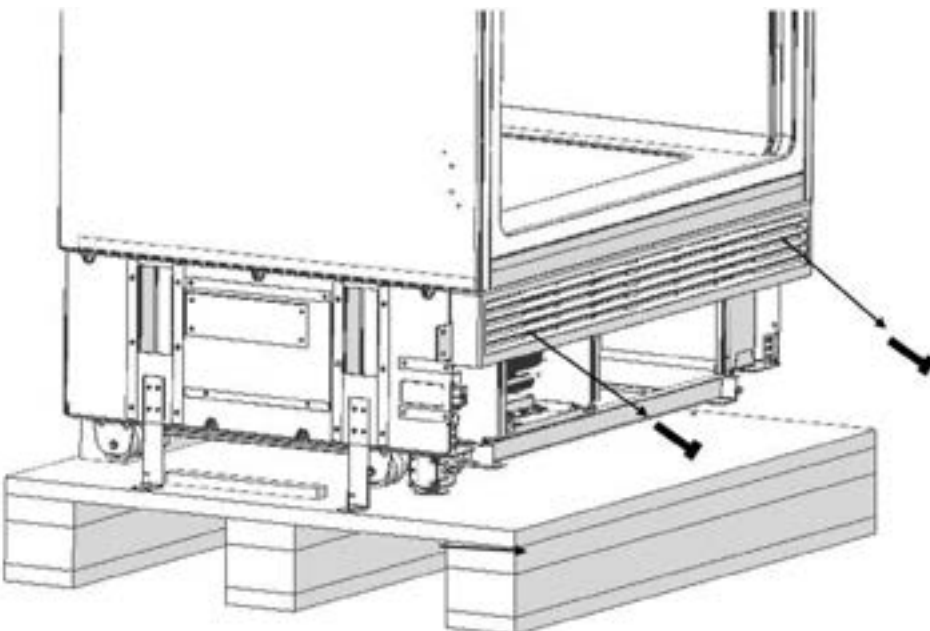
REMOVING THE LOWER VENT PANEL

Remove the two Phillips-head screws to take out the lower vent panel assembly; set the screws aside.



REMOVING THE UPPER VENT PANEL

Remove the two screws to take out the upper vent panel; set the screws aside.



INSTALLATION

PRE-INSTALLATION NOTES

Continue to install the product according to the instructions below. Additionally, consider national and local government codes and instructions regarding installation requirements and clearances.

Please observe the following:

- For the USA, National Electrical Code, ANSI/NFPA 70-latest version; state or municipality directives; and/or regional directives.
- For Canada, Canadian Electrical Code, C22.1-latest version; province or municipality directives; and/or regional directives.

MOUNTING THE ANTI-TIP BRACKETS



WARNING

Anti-tip brackets must be installed to prevent the appliance from tipping over and limit risk of injury.



WARNING

Make sure there is no electrical or water connection where the screws will be tightened and connections will be established.



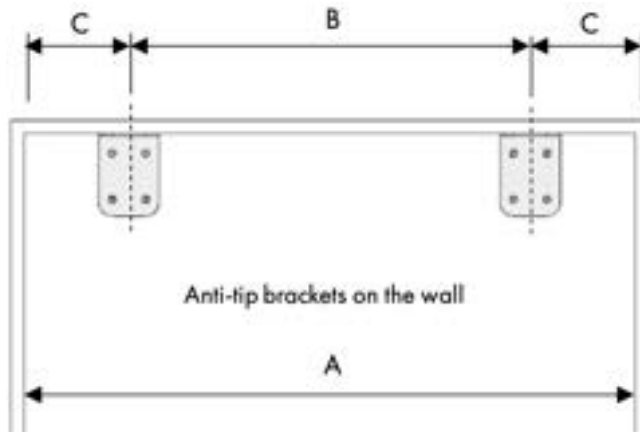
WARNING

Please remember to use necessary protective equipment when drilling holes in the wall while performing this installation.

INSTALLATION

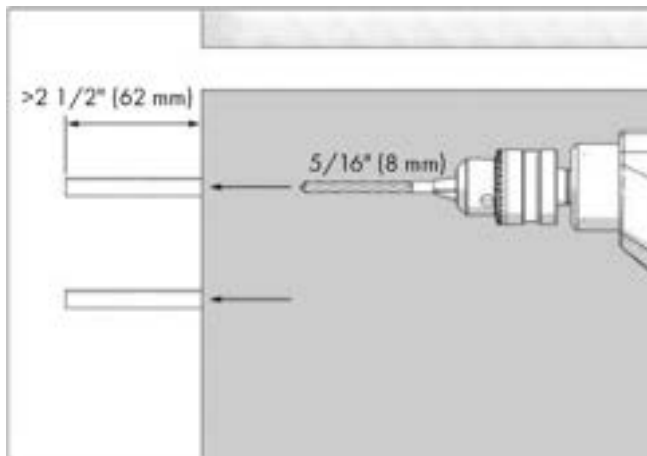
ANTI-TIP BRACKETS

- Mark the upper rear of the wall in your cabinet cutout to locate the anti-tip brackets (page 29, Item No. 2).



CATEGORY	RBIV-30 SERIES MODELS	RBIV-36/RBIT-36 SERIES MODELS
A	30" (762 mm)	36" (914 mm)
B	23 5/8" (600 mm)	23 5/8" (600 mm)
C	3 3/16" (81 mm)	6 3/16" (157mm)

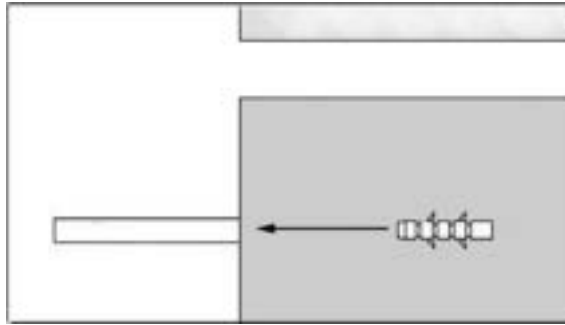
- Use a 5/16" (8 mm) drill bit to bore roughly 2 1/2" (62 mm) deep holes at the marked points. Do not use a larger drill bit as the wall anchors will be unable to tighten or secure the brackets.



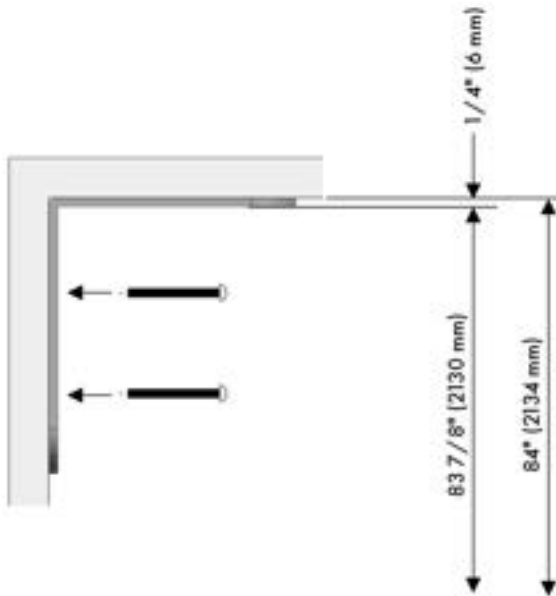
INSTALLATION

ANTI-TIP BRACKETS

- Use the hammer to tap anti-tip anchors (page 29, Item No. 3) into the wall.



- Fit the anti-tip brackets into their places, using four screws (page 29, Item No. 4) for each. You must use both brackets to ensure safety of the product.



- If you are not sure whether the anti-tip brackets are fastened to the wall as securely as they should be, you can use alternative anti-tip methods.
- If there are cabinets at the back wall of the refrigerator, please make sure the cabinets are fixed to the wall. For this, you need to ensure the back wall of the cabinets are fixed to the concrete back wall with suitable connection parts.

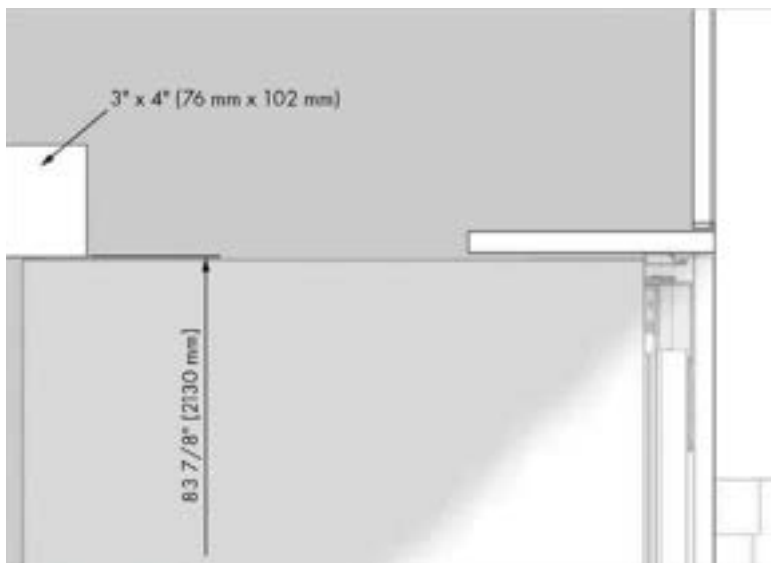
INSTALLATION

ALTERNATIVE ANTI-TIP METHOD

- If the anti-tip brackets cannot be connected securely, you must use the alternative method outlined below.
- In this method, you can use wooden blocks (not provided) to avoid the risk of the unit tipping over. They must be installed as illustrated in the figure below.
- There must be no clearance between the product and the wooden blocks.
- Minimum section dimensions of the wooden block must be 3" by 4" (76 mm by 102 mm). The width of the blocks must be equal to the clearance where it will be installed.
- An additional block must be used if the niche depth is more than anticipated. The wooden block must contact the product with a maximum depth of 2" (51 mm).
- To determine the location for the wooden block, mark it on the rear wall, select suitable screws, and connect safely.



The number and type of the screws to be used for the wooden block must be determined so there is a secure connection. Only a professional installer should perform this alternative method.

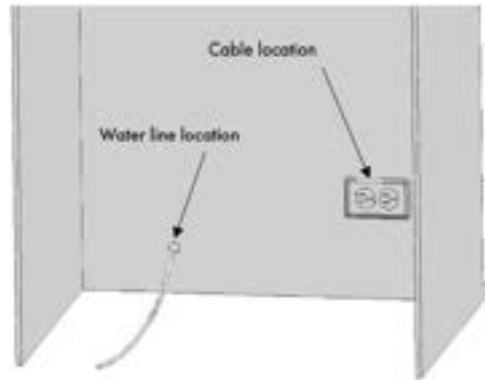


INSTALLATION

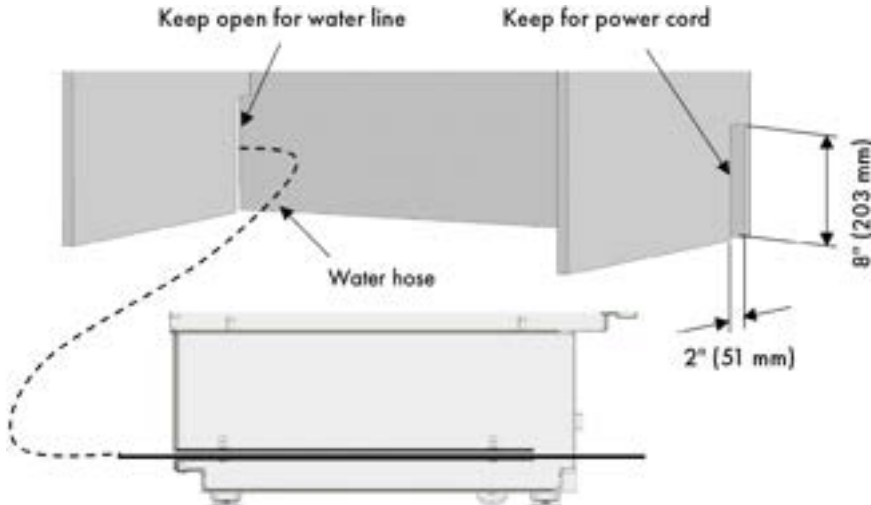
PREPARING THE WATER HOSE AND POWER PLUG

- You will need a hose with a minimum length of 60" (1524 mm) and a diameter of 1/4" (6 mm) for water connections during installation.
- A connector that has a thread with an external diameter of 1/4" (6 mm) must be used to connect the hose end to the product.
- You can choose method A or method B below to prevent the power cord and water supply line from getting jammed or tangled.

Method A: Locate the water hose and power supply on the back of your cabinet.



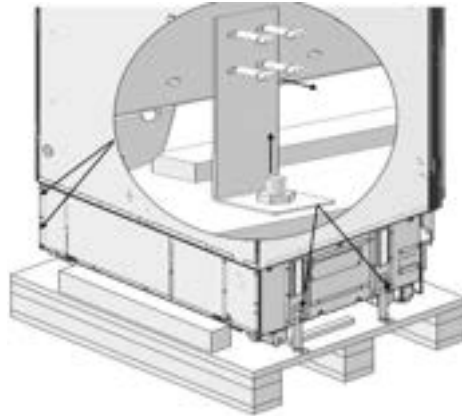
Method B: Locate the water hose and power supply through the side of the cabinet.



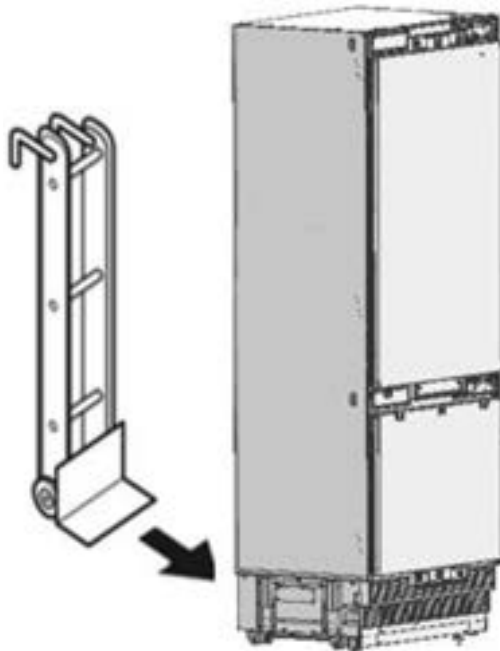
INSTALLATION

MOVING THE UNIT FROM THE WOODEN PALLET

- With a Phillips-head screwdriver or drill bit, remove the screws from the security brackets that connect the refrigerator to the wooden pallet as outlined below.



- With at least two people, recline the refrigerator with the help of a dolly/hand truck to lift it off the pallet and Styrofoam packaging, then slowly lower the refrigerator to the floor. Then, use the hand truck to carefully move the unit near the opening of the cabinet cutout where it will be installed.

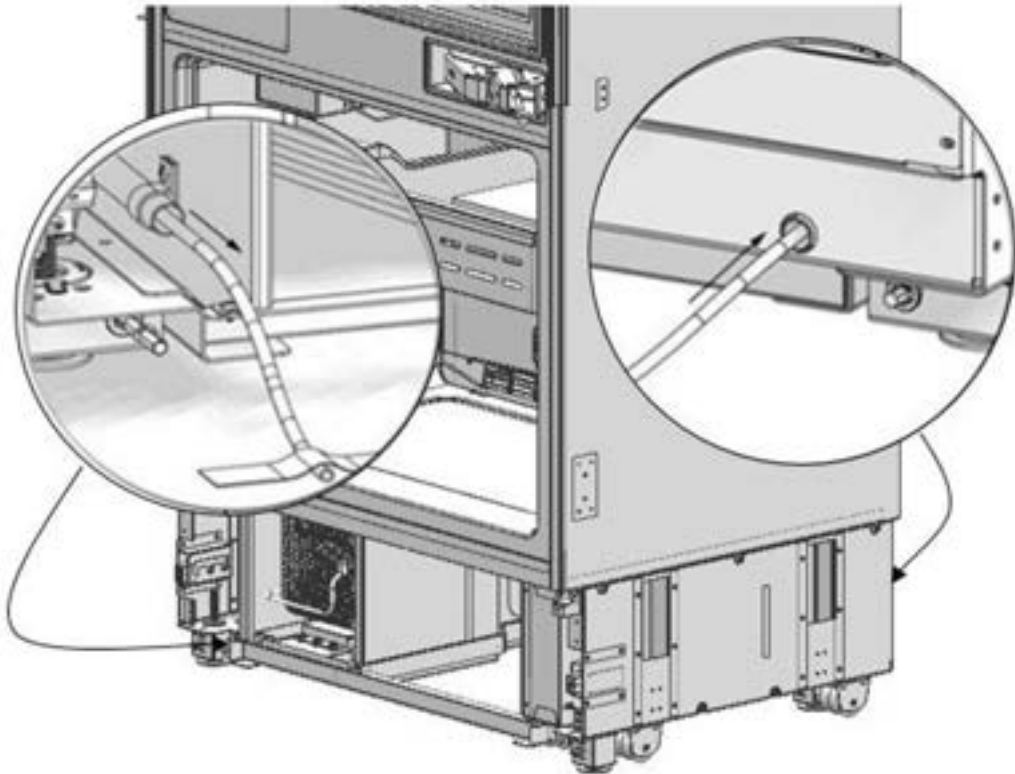


Do not open doors, as the weight of the unit's doors can cause the appliance to tip over while in a reclined or free standing position.

INSTALLATION

PREPARING FOR PLACING THE REFRIGERATOR INTO THE CABINET

- Before preparing to push the unit into the cabinet cutout, run the water line hose through the rear channel of the refrigerator (below image, right circle) to the front of the unit (below, left). You can optionally tape the water line to the floor to avoid it getting tangled during installation.



- Plug in the refrigerator to make sure the power is working and that the display has been activated.



WARNING

The plug of the product must be accessible after installation. If the plug is not accessible after installation, the power must be cut off from the main switch.



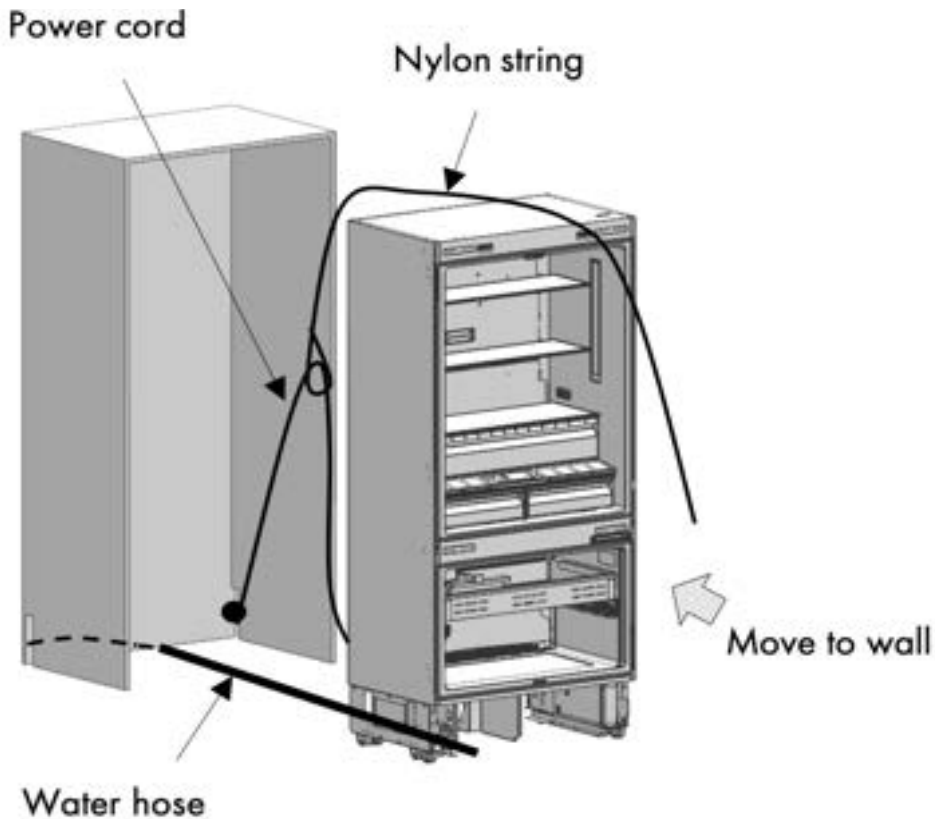
INFO

You can use tape or other protective items you think are necessary to protect the edges of the cabinet when placing the product.

INSTALLATION

PLACING THE REFRIGERATOR INTO THE CABINET

- Apply the below method — tie a nylon string or other durable string/cable around the power cord — to prevent the power cord from getting jammed.



Make sure the power cable is not jammed when placing the product, or else you increase the risk of electric shock or power failure.

- Push the product carefully toward the cabinet cutout. If there is strain of any kind during placement of the product into the cabin:
 - the floor might be rough or uneven; and/or
 - adjustable feet might be loose (please see page 46 to learn how to adjust the adjustable feet to level the product).

INSTALLATION

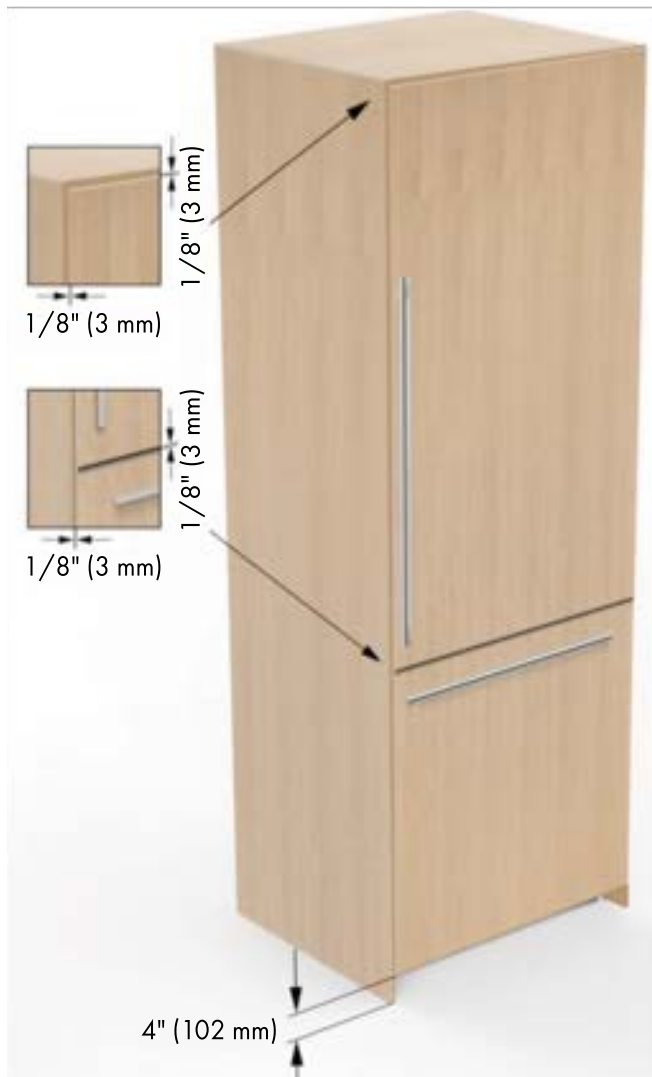
ALIGNING THE REFRIGERATOR WITH THE CABINET CUTOUT



It is very important to align the upper edge of both doors when aligning. All the other edges can be adjusted with the adjustment mechanisms.

NOTE: The image below is of an RBIV-30 with panels installed in order to show proper gaps when aligning refrigerator and freezer doors. The gaps are the same for all other models:

- 1/8" (3 mm) represents the required gap between door panels and the cabinet cutout.
- These gap measurements are the same for custom panels and ZLINE-provided panels.
- Door panel preparation and installation is covered starting on page 52.



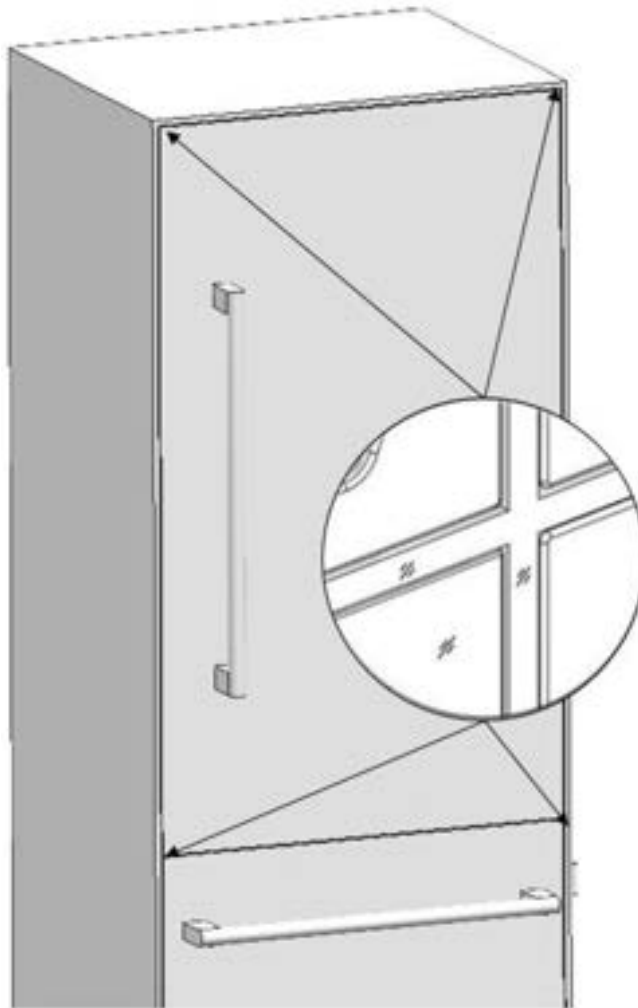
INSTALLATION

ALIGNING THE REFRIGERATOR WITH THE CABINET CUTOUT



It is very important to align the upper edge of both doors when aligning. All the other edges can be adjusted with the adjustment mechanisms.

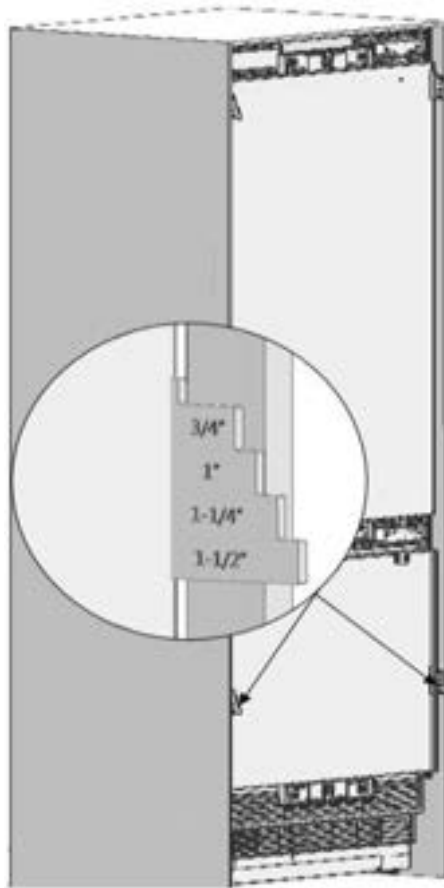
If this refrigerator was purchased with ZLINE-provided door panels, the position of the refrigerator needs to be adjusted so that the door and the cabinet surface are flush, as shown in the figure below. You can also use a position alignment gauge (page 29, Item No. 5) as shown on page 44 if necessary for alignment.



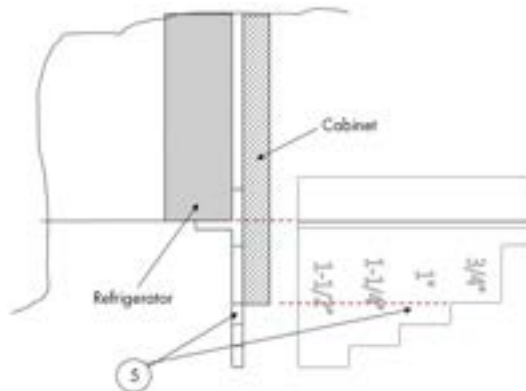
INSTALLATION

USING THE POSITION ALIGNMENT GAUGE

- If this refrigerator was purchased without ZLINE-provided door panels, the product can be placed using the position alignment gauge (Item No. 5) as outlined below in order to align with custom panels, which vary in size and thickness.



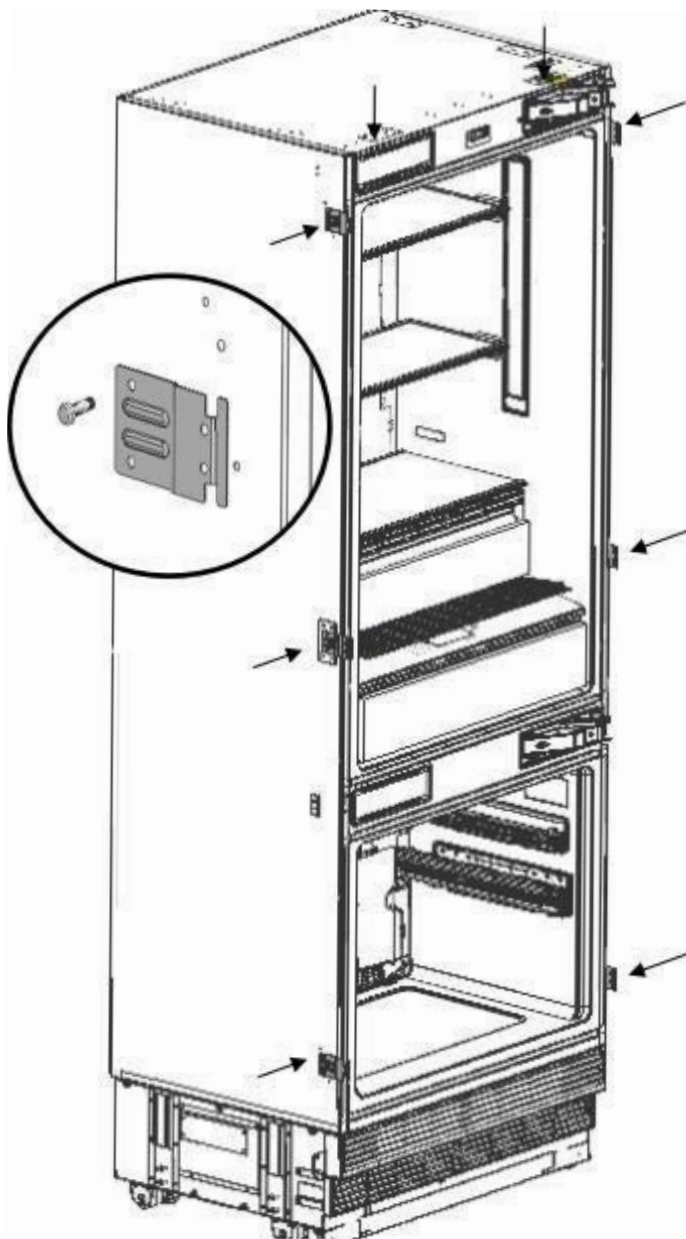
- The position of the position alignment gauge must be adjusted according to the thickness of the door. It can adjust to four different door thickness levels.



INSTALLATION

ATTACHING THE CABINET MOUNTING BRACKETS

Affix the eight cabinet mounting brackets (page 30, Item No. 12) to both sides and the top of the appliance — two on the top and three on each side, as outlined below. Using a screwdriver or drill with a Phillips-head bit, secure 16 screws to the cabinet mounting brackets (page 29, Item No. 11).



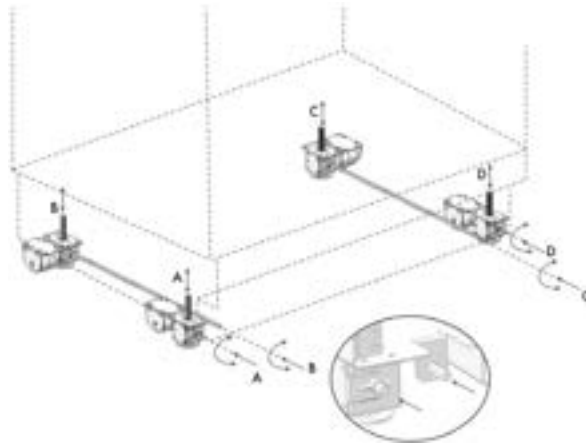
INSTALLATION

ADJUSTING THE REFRIGERATOR HEIGHT

- With the unit now aligned, push it carefully into the cabinet cutout.
- Next, the feet need to be raised in order to secure the product to the anti-tip brackets.
- You may use a socket wrench with a 1/4" hex bit to adjust leg height; we recommend using a socket wrench by hand to avoid the risk of stripping the legs. **Do not use an impact drill to adjust the feet; doing so may cause damage.**



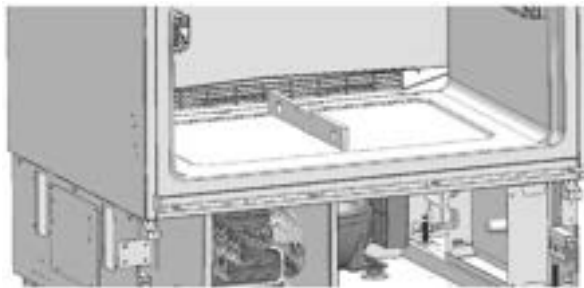
It's important to raise the front feet first to reduce risk of the appliance falling frontward, which would increase the risk of injury.



A/D — Turn the key clockwise to lift the front

B/C — Turn the key clockwise to lift the rear

- After adjusting the feet, check if the product is level in both width and depth directions. You may readjust as needed after panels are installed.

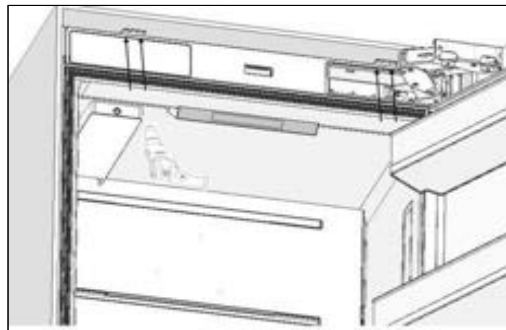
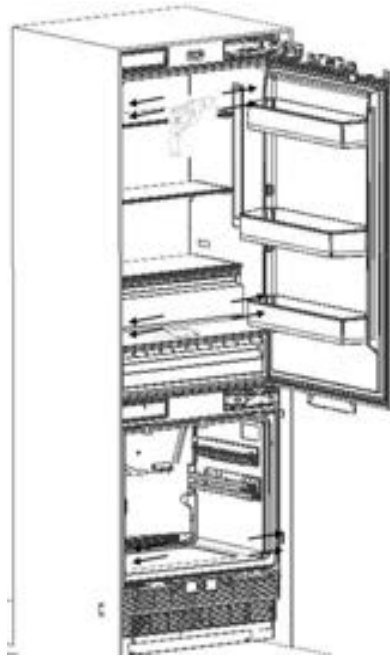


- The maximum height the adjustable feet can reach is 1 9/16" (40 mm), and the maximum product height is 85 3/8" (2169 mm).

INSTALLATION

SECURING THE UNIT TO THE CABINET CUTOUT

- You can now secure the appliance to the cabinet.
- Using the 16 cabinet mounting bracket screws (page 29, Item No. 13), secure the unit to the cabinet — 4 screws on top and 12 on each side.
- If you have difficulty tightening the screws, opening a reference hole with a drill will make this procedure easier, as shown in the images below.



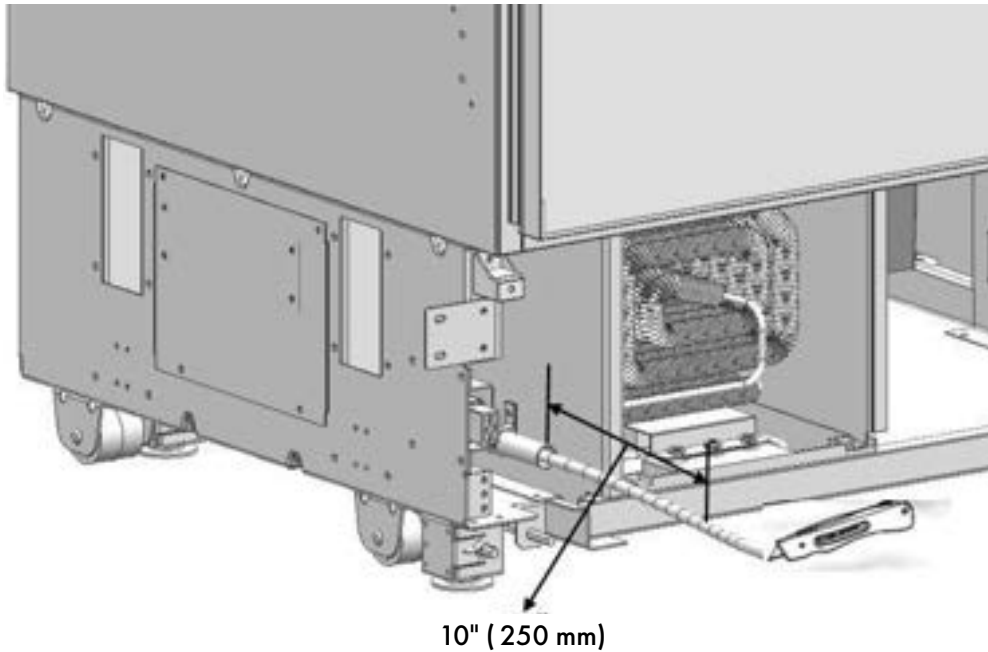
WARNING

Before starting to screw the side and upper mounting brackets, please make sure that water is supplied to the product and there is no water leakage. See page 48 for water connection details.

INSTALLATION

INSTALLING THE WATER CONNECTION

- With the unit secured into the cabinet cutout, use two wrenches to firmly connect the main water line hose from the front of the unit to the hose coming from the valve above, as outlined in the image below.



- Once the water connection is complete, you must turn on the main water valve to ensure there are now water leaks. This also allows you to run water through the unit's water dispenser to drain the water filtration system before use
- If necessary, use the box cutter to cut the water hose from the end of the pipe it comes out of, leaving a section of 10" (254 mm) length to avoid excess length.

INSTALLATION

INSTALLING THE WATER CONNECTION



WATER SAFETY MEASURES

- The main water line hose must be one piece. Do not use extension hoses.
- Make sure power to the unit is turned off from the breaker when making the water connection of the product to limit risk of electric shock.
- The water valve must be off when connecting the water hose.
- It is recommended that the water on/off valve remains accessible after installing the product in the event service is needed.
- This product is suitable for use with cold water mains only.
- The pressure of the water system must be between 25-80 psi (1.7-5.5 bar).
- If the water pressure exceeds 80 psi (5.5 bar), install a pressure-limiting device or water pressure protector to the inlet valve. Never install or operate the appliance if it's possible for the water pressure to exceed 120 psi (8.3 bar).
- If the water pressure is lower than 14.5 psi (1 bar), you can use an auxiliary pump to compensate.
- If you do not know how to check the water pressure or are unsure how to utilize an auxiliary pump, please consult a professional plumber.

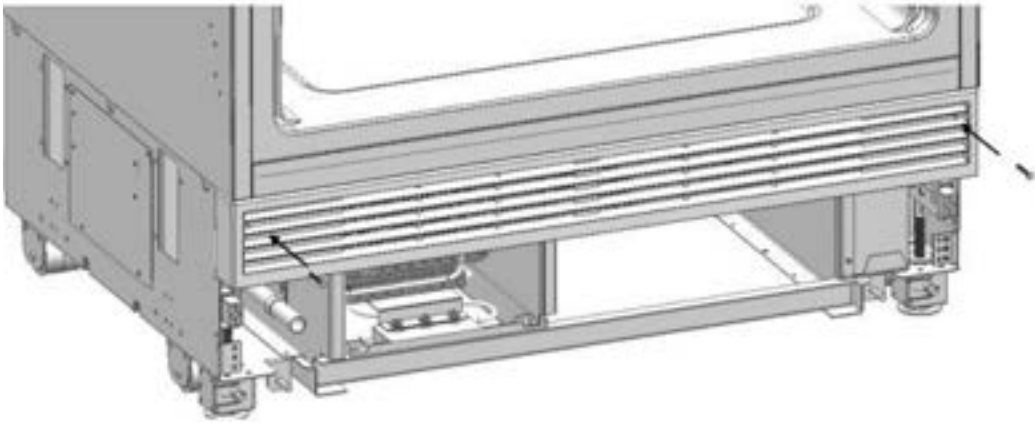
DUAL CABIN INSTALLATION

- If combining 2 RBIV-30 units or 2 RBIT-36 units into dual unit, please note both units have a dedicated water supply, each requiring a hose with a minimum length of 60" (1524 mm) and a diameter of 1/4" (6 mm) for proper water connections.
- If the plumbing of your home needs alteration to accommodate built-in refrigeration, a qualified technician or professional plumber may tee off the water supply to provide water to both units if the customer desires.
- Read more about dual unit installation on page 85.

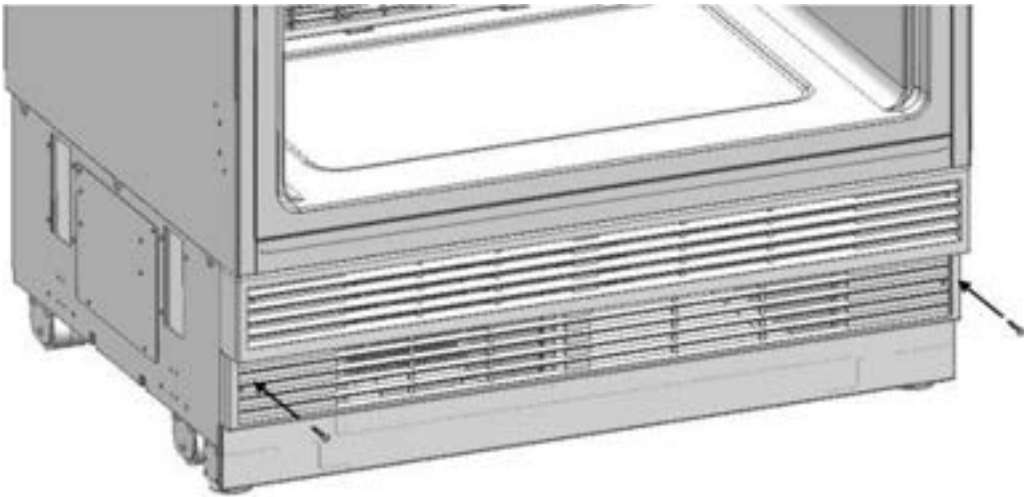
INSTALLATION

RE-ATTACHING THE VENT PANELS

- Use the two screws removed previously on page 33 to re-attach the upper vent panel.



- Next, use the two screws removed previously to re-attach the lower vent panel.



NOTE: You can slightly adjust the lower vent panel forward or backward to align with the kick plate in the kitchen.



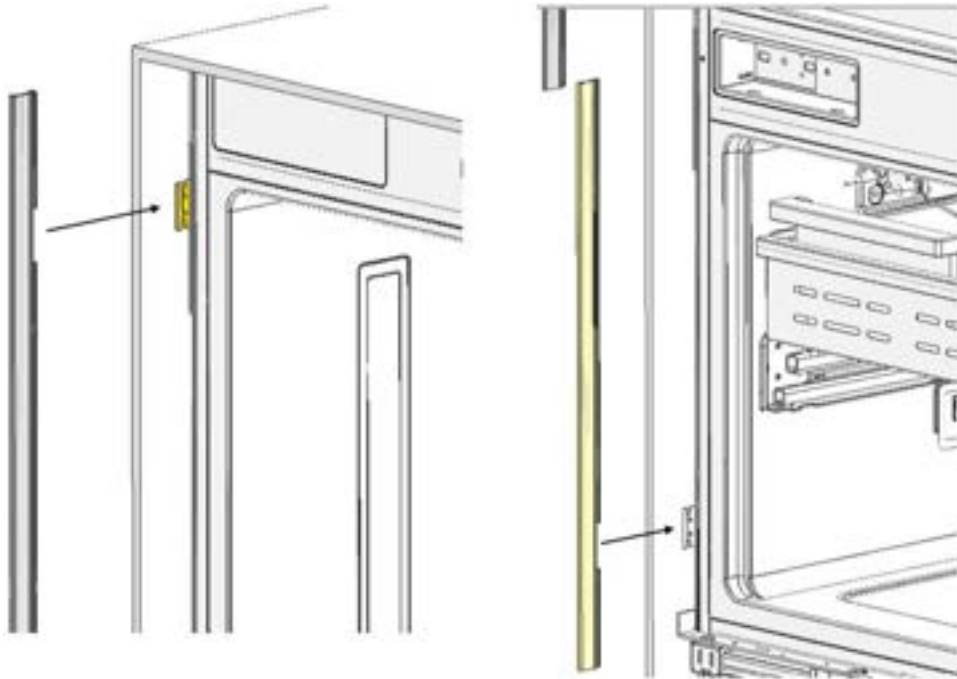
WARNING

Forward-backward travel distance of the lower panel must be $15/16$ " (23 mm). As you can see in the figure, the decorative kick plate must not be in front of the upper vent hole level.

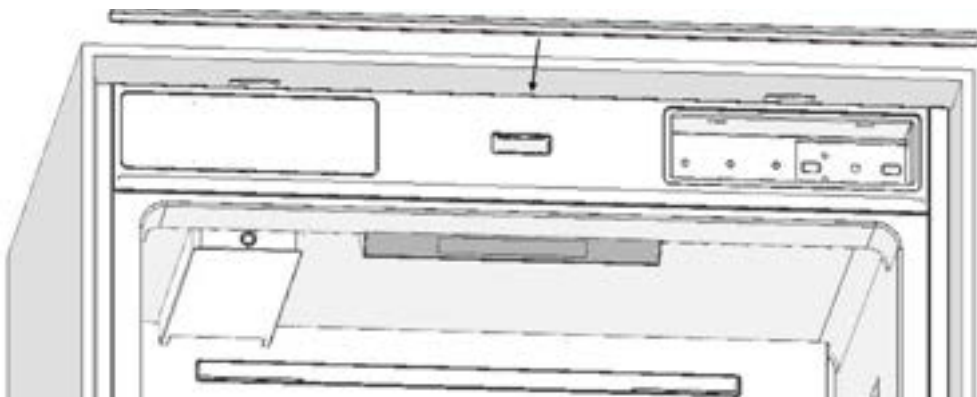
INSTALLATION

ATTACHING THE TRIM PIECES

- Attach the cabinet side trim pieces (page 28, Item No. 1) onto the refrigerator and freezer, covering the cabinet mounting brackets as shown below.



- Attach the refrigerator cabinet top trim (page 28, Item No. 4) onto the refrigerator, covering the cabinet mounting brackets as shown below.



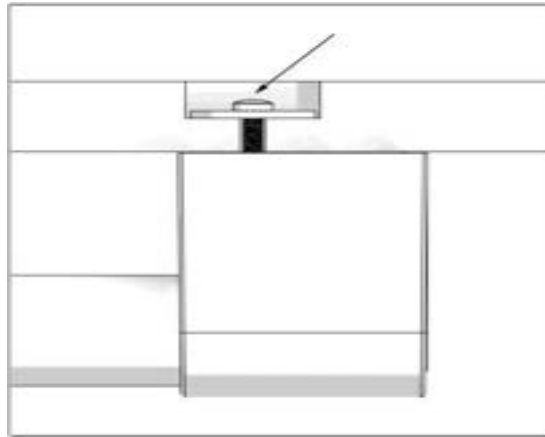
INSTALLATION

DOOR PANEL PREPARATION

The following pages contain information about preparing the door panels and mounting them to the product.

ATTACHING THE DOOR HANDLES

For both the refrigerator and freezer door handles, the provided mounting studs need to be installed on the decorative side of the panel; fix the other side of the screw in place with a washer and nut, and attach the handles as shown below.



The maximum weights of the door panels to be mounted to the product are as follows. Anything heavier increases the risk of the product tipping, and serious injuries may occur:

- Refrigerator Door(s): 36 lb (16 kg)
- Freezer Door: 20 lb (9 kg)

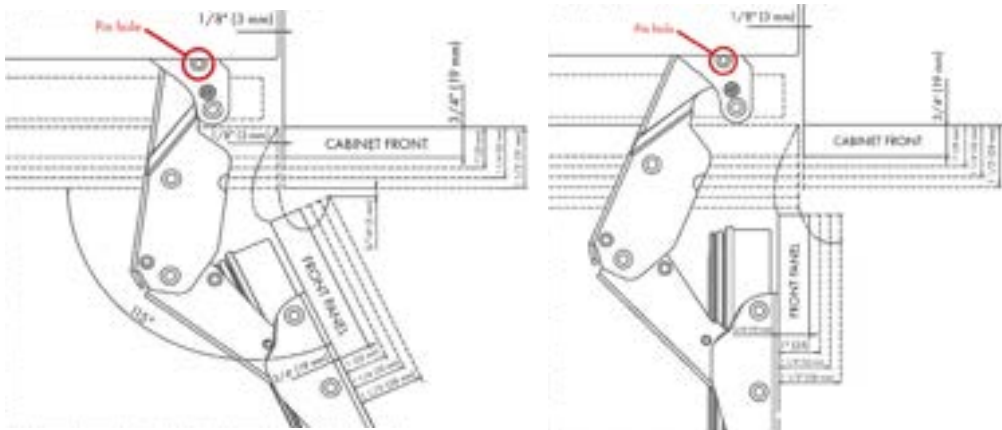
INSTALLATION



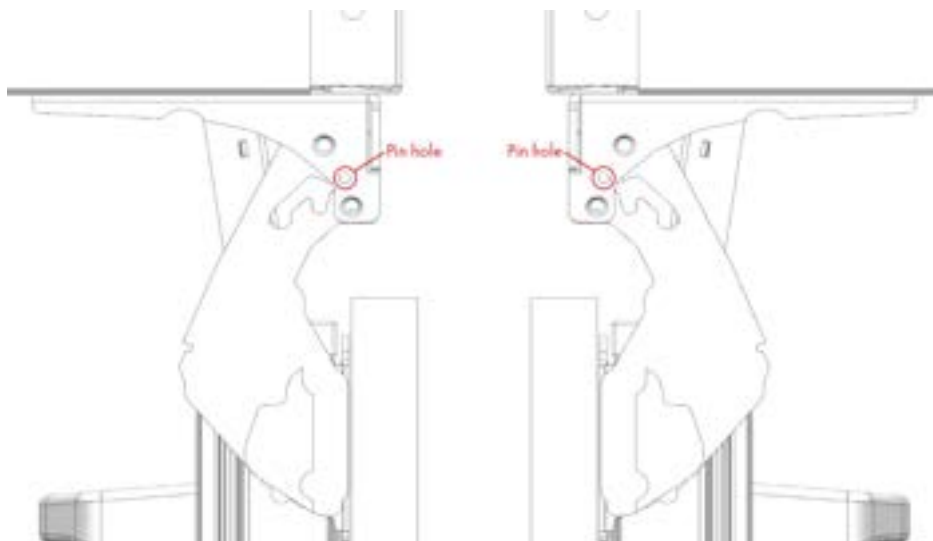
CHOOSING THE DOOR THICKNESS

The door(s) of your refrigerator can open by 115° maximum. If the door is going to open to this degree, you can choose the following thickness levels depending on your door panels:

- If the door thickness is more than 1 1/2" (38 mm), the door should not open more than 90°. You must use a limiting pin on the hinge.



- To limit the opening degree of your door to 90°, insert one 90° limiting pin (page 29, Item No. 6) into the hole on the bottom hinge outlined in the images above.
- For RBIV-36 units, use both of the provided limiting pins on the bottom hinge of both doors as outlined in the images below.



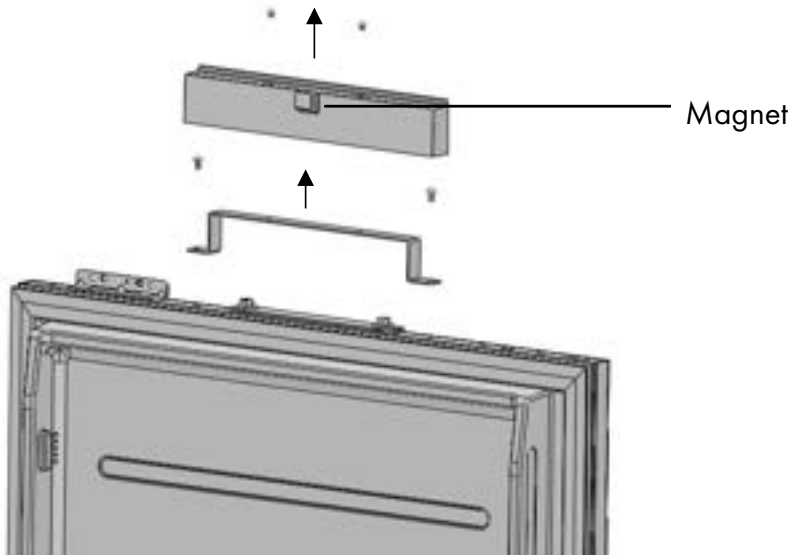
INSTALLATION



REMOVING THE DOOR BRACKET COVERS

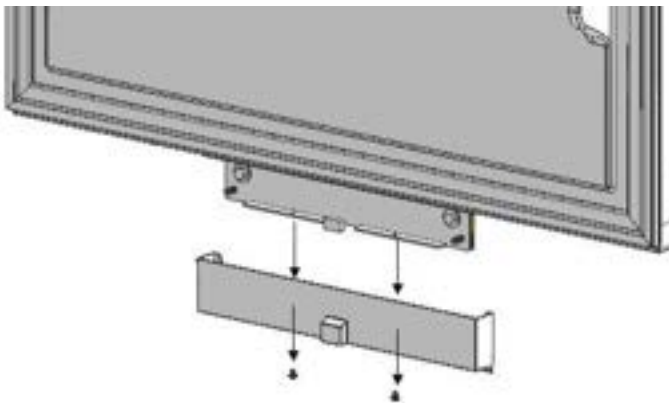
WARNING

- Remove two Phillips-head screws to take out the upper bracket trim cover and cover mounting bracket; set aside.



NOTE: There is a magnet in the cover of the top refrigerator door mounting bracket. This is a functional part for the operation of the product. It should not be confused with the lower bracket.

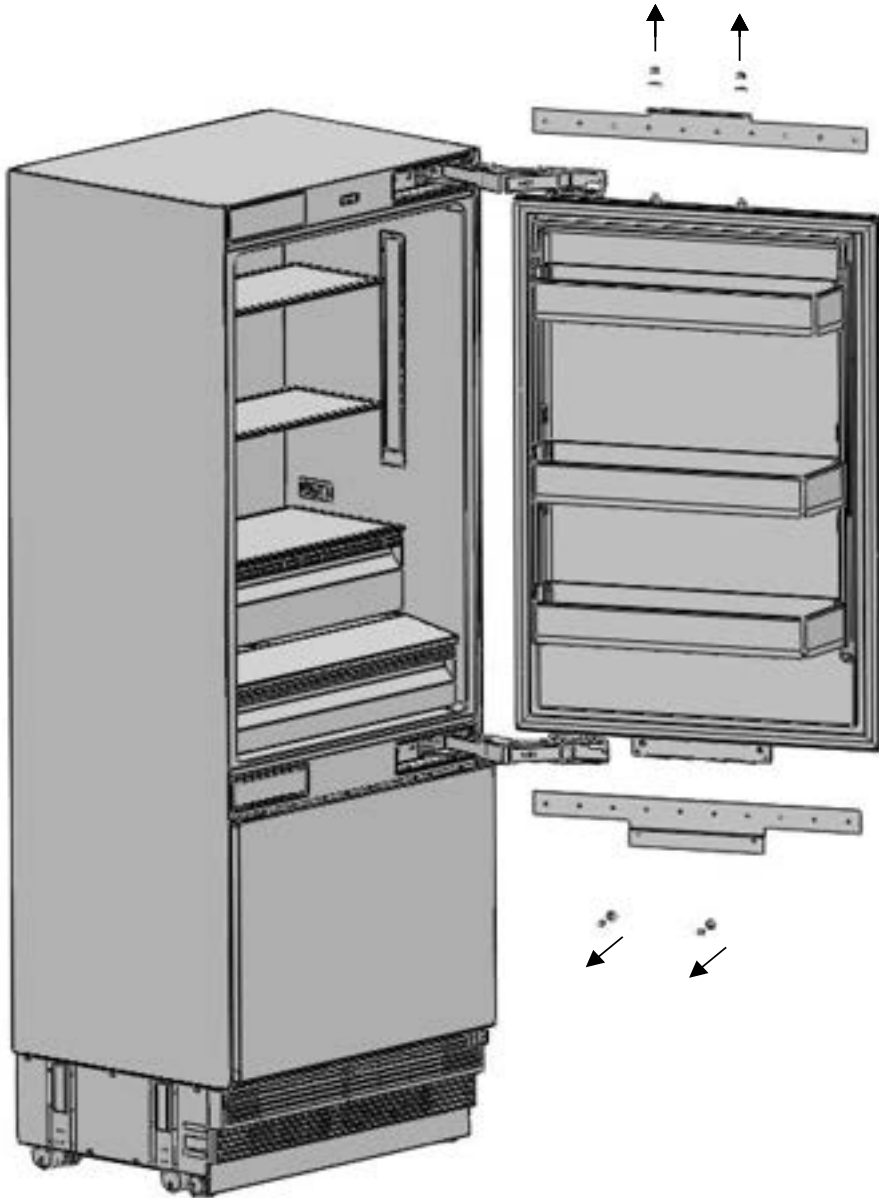
- Remove two Phillips-head screws to take out the lower cover mounting bracket; set aside.



INSTALLATION

REMOVING THE DOOR PANEL - ADJUSTMENT BRACKETS

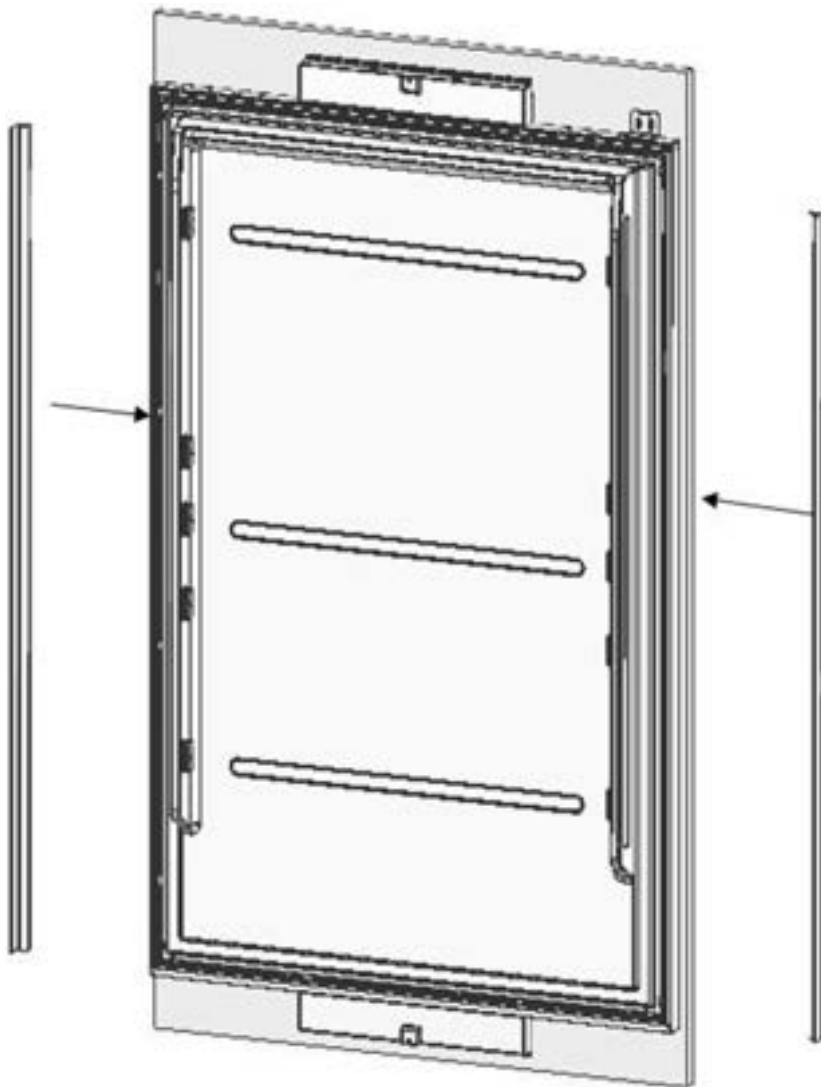
- Using a drill or socket wrench, remove the bolts securing the upper and lower door panel hanger brackets from the refrigerator door.



INSTALLATION

CHANGING THE DIRECTION OF THE REFRIGERATOR DOOR (RBIV-30/RBIT-36 SERIES MODELS)

- Next, remove the side trim pieces as outlined below.

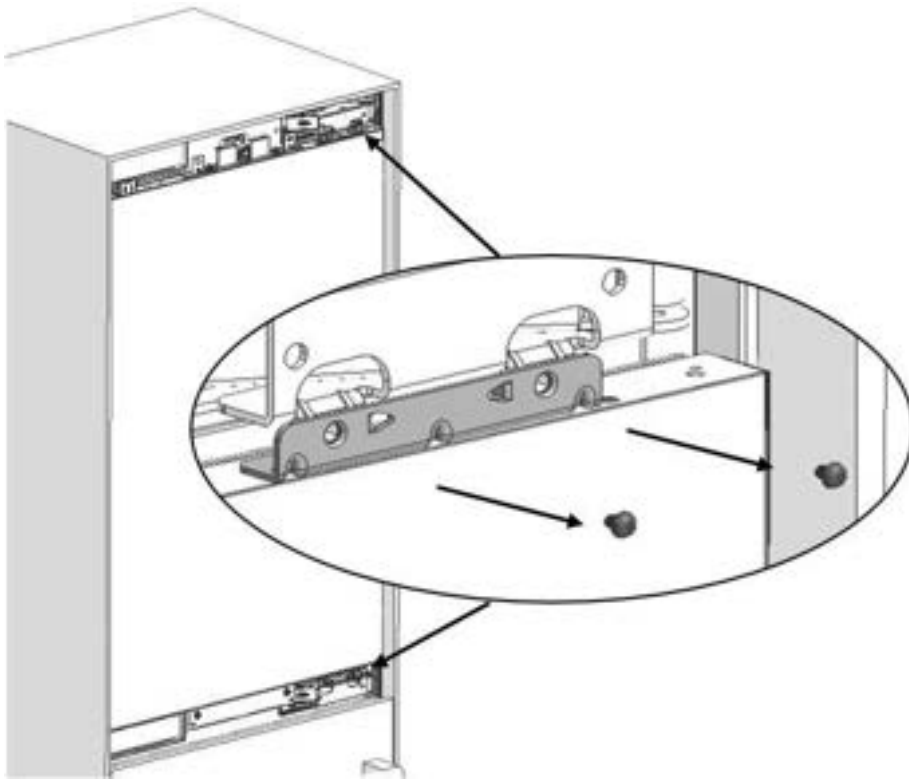


INSTALLATION

CHANGING THE DIRECTION OF THE REFRIGERATOR DOOR (RBIV-30/RBIT-36 SERIES MODELS)

REMOVING AND PREPARING THE INNER REFRIGERATOR DOOR

- Remove the four hinge connection screws of the hinge brackets as shown below.



The refrigerator door assembly will be free once these screws are removed. It will be heavy; be sure to take measures to prevent the door from falling or causing any damage or injury.

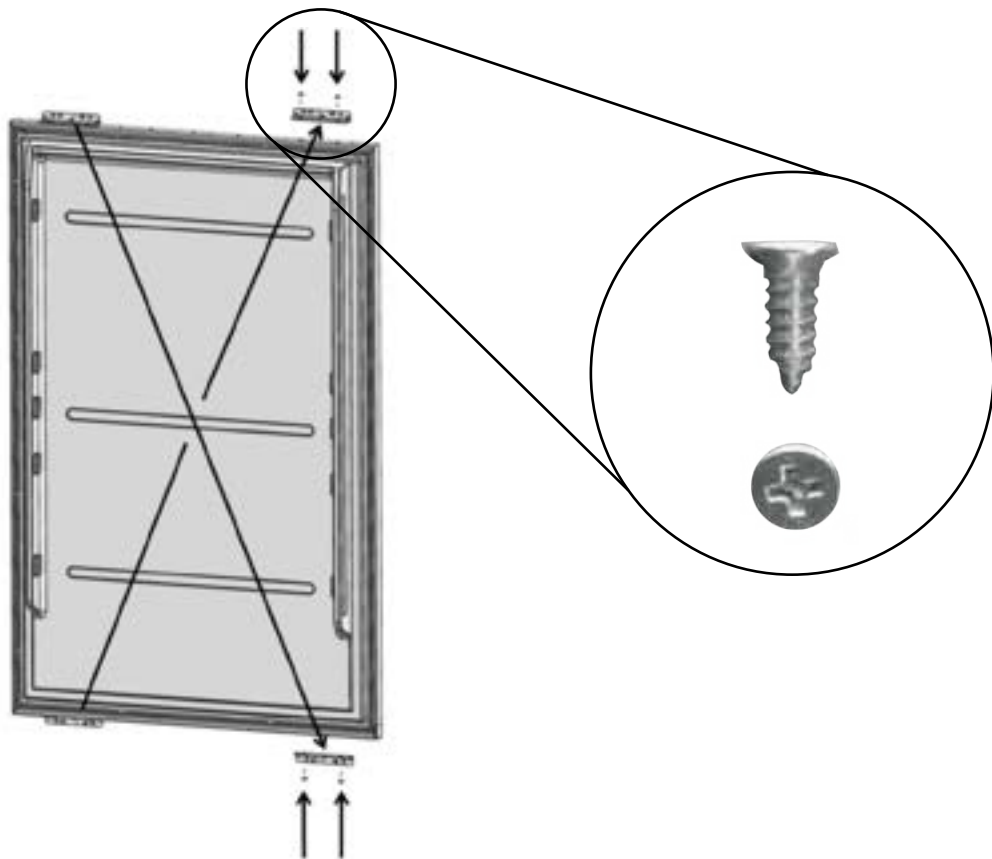
- You can tape the door panel to the inner door or ask for help from another person.
- Once the panel is removed, lay it down on a table upside down.
- You must attach the door panel by rotating it 180° based on its current position.

INSTALLATION

CHANGING THE DIRECTION OF THE REFRIGERATOR DOOR (RBIV-30/RBIT-36 SERIES MODELS)

NOTE: It's important to note that the two metal connection brackets are not identical. When reversing the hinge from right to left, the connection brackets must be installed on the opposite side of the door. The upper connection bracket must be installed on the bottom side, the bottom connection bracket must be installed on the upper side.

1. Take out the door and lay it down on a table.
2. Remove the brackets and screw them to the opposite side of the door as outlined below.
3. Attach the brackets using two screws.

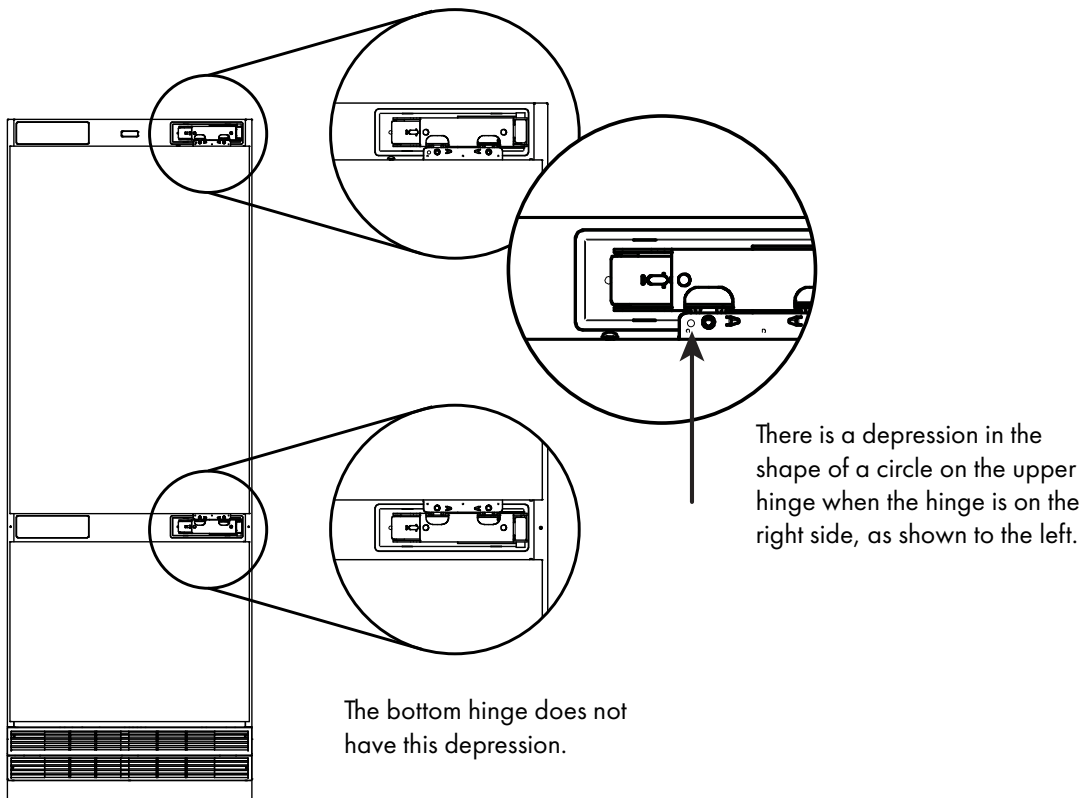


INSTALLATION

CHANGING THE DIRECTION OF THE REFRIGERATOR DOOR (RBIV-30/RBIT-36 SERIES MODELS)

NOTES:

- There is a depression in the shape of a circle on the upper hinge when the hinge is on the right side, as shown below.
- The bottom hinge does not have this depression
- When the hinge position is changed from right to left, the upper and lower hinges will be exchanged. The hinge with the depression will now be on the bottom, as shown below.



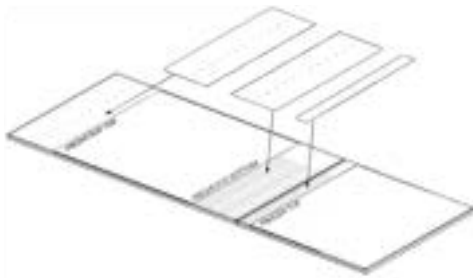
INSTALLATION

DOOR PANEL DIMENSIONS

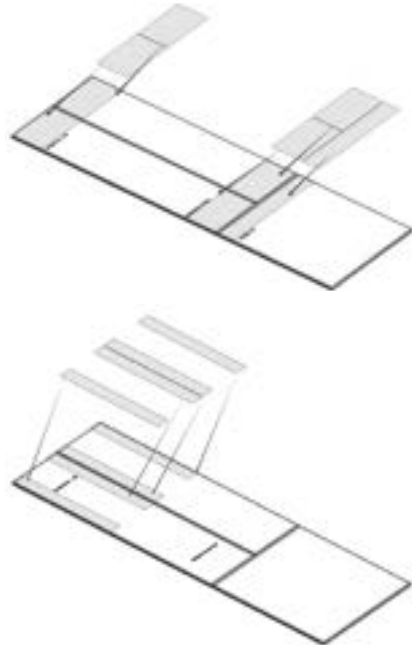


You must take the dimensions on the following pages into account when positioning the door panel hanger brackets on the panel. When pre-drilling holes, you can use the provided door panel preparation template (page 29, Item No. 1) to align the panel brackets in the correct location. Use care to not drill too deep when pre-drilling.

RBIV-30/RBIT-36 series models



RBIV-36 series models



WARNING

Handle connection holes must be adjusted according to the handle orientation you plan to use in your kitchen design.



WARNING

Minimum thickness of the panels for both the refrigerator and freezer doors must be 3/4" (19 mm).



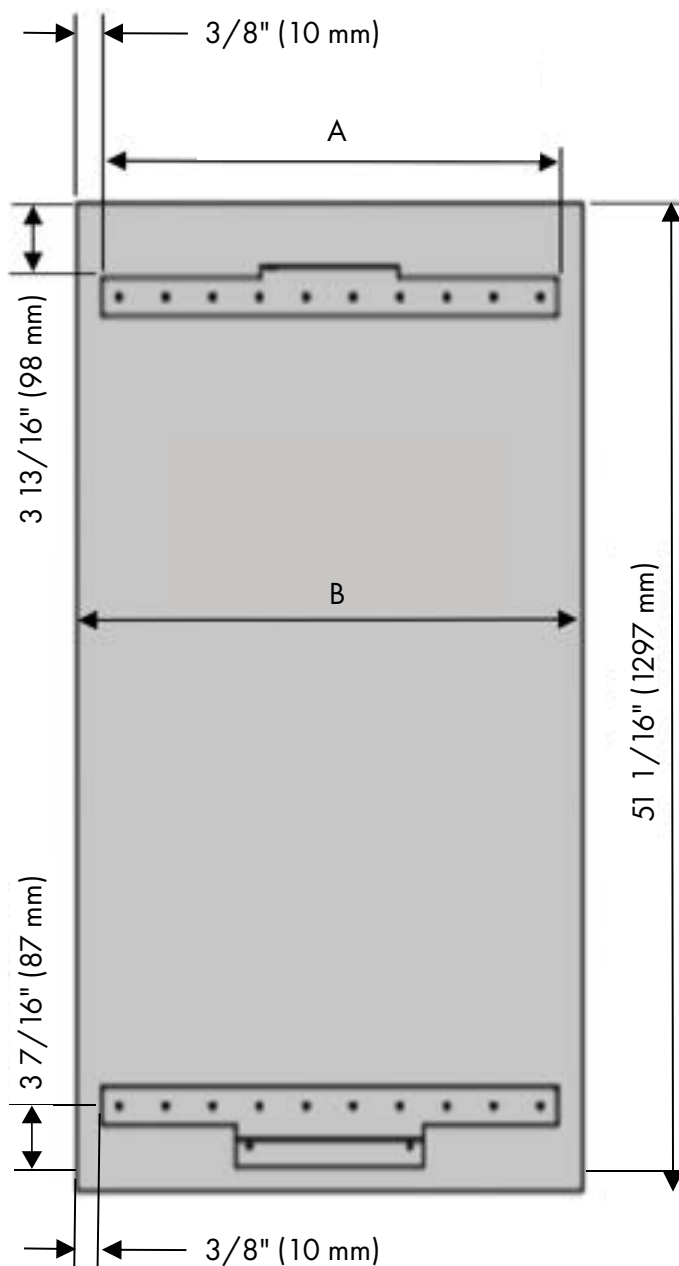
WARNING

For a 25" (635 mm) flush inset depth on RBIV-36 models, the maximum door panel thickness for both of the doors is 3/4" (19 mm).

INSTALLATION

DOOR PANEL DIMENSIONS

RBIV-30/RBIT-36 SERIES MODELS REFRIGERATOR DOOR PANEL DIMENSIONS

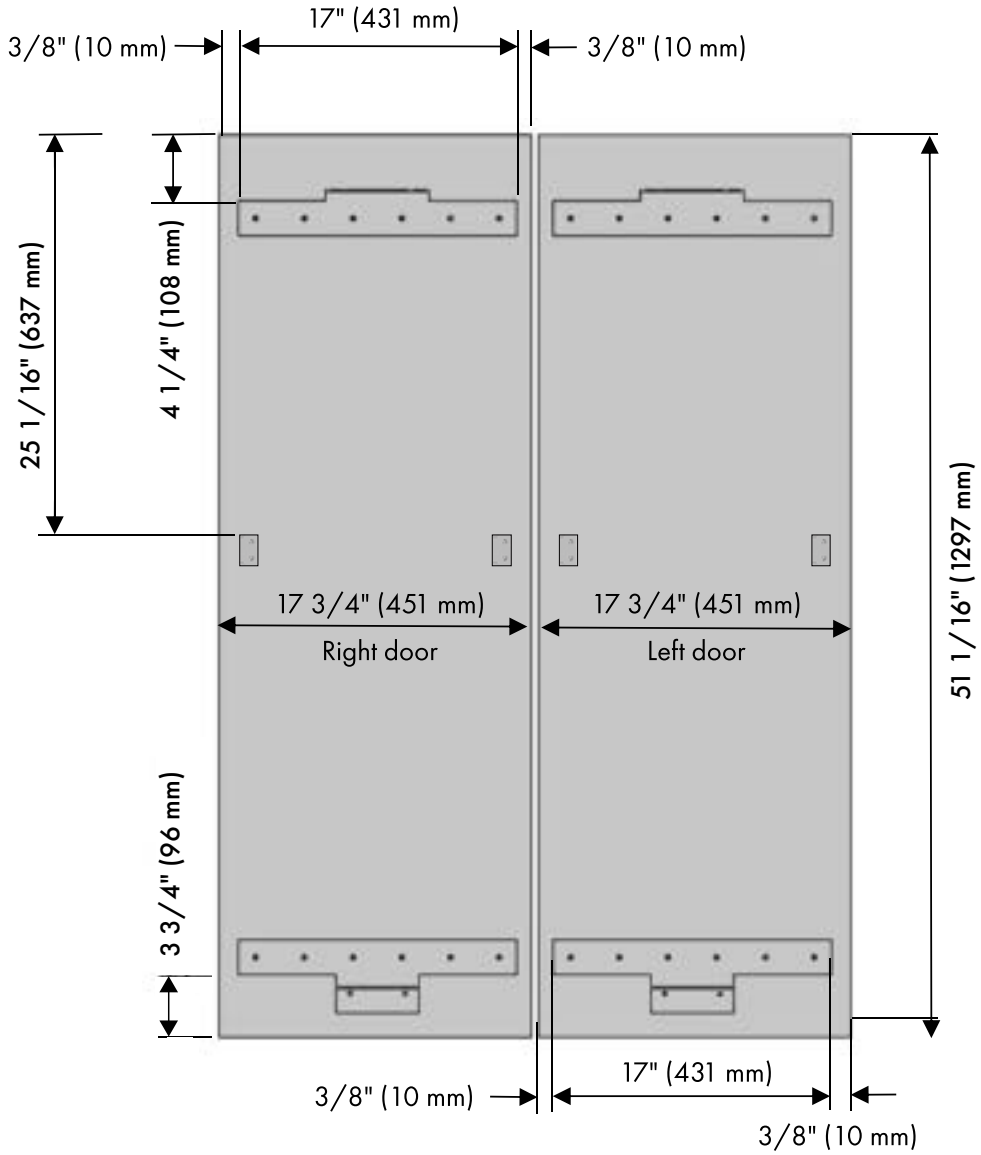


CATEGORY	RBIV-30 SERIES MODELS	RBIT-36 SERIES MODELS
A	29" (736 mm)	34 15/16" (888 mm)
B	29 3/4" (756 mm)	35 3/4" (908 mm)

INSTALLATION

DOOR PANEL DIMENSIONS

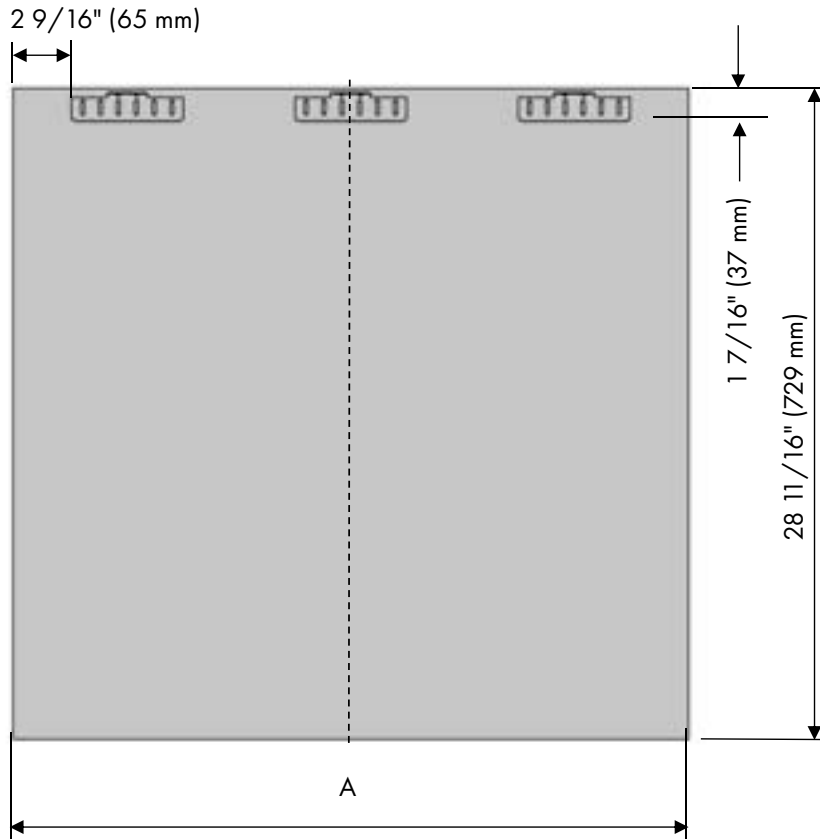
RBIV-36 SERIES MODELS REFRIGERATOR DOOR PANEL DIMENSIONS



INSTALLATION

DOOR PANEL DIMENSIONS

FREEZER DOOR PANEL DIMENSIONS



CATEGORY	RBIV-30 SERIES MODELS	RBIV-36 SERIES MODELS	RBIV-36 SERIES MODELS
A	29 3/4" (756 mm)	35 3/4" (908 mm)	35 11/16" (907 mm)

INSTALLATION

DOOR PANEL INSTALLATION

INSTALLING THE REFRIGERATOR DOOR PANEL

- Secure the refrigerator door panel hanger brackets removed on page 55 as shown below using the provided screws (page 30, Item No. 18).
- You can use the door panel preparation template provided with the product to align these parts. We recommend keeping this template for future reference.

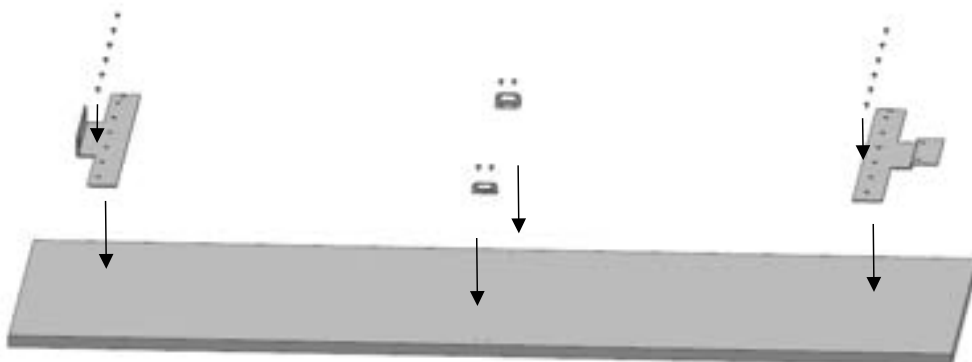


You must use screws suitable for the door thickness; this can vary depending on if you opt for custom panels.

RBIV-30/RBIT-36 series models — 20 screws total, 10 for each bracket



RBIV-36 series models — 24 screws total, 6 for each bracket (2 brackets per door)
— 4 additional screws, 2 panel side mounting brackets total



INSTALLATION

DOOR PANEL INSTALLATION

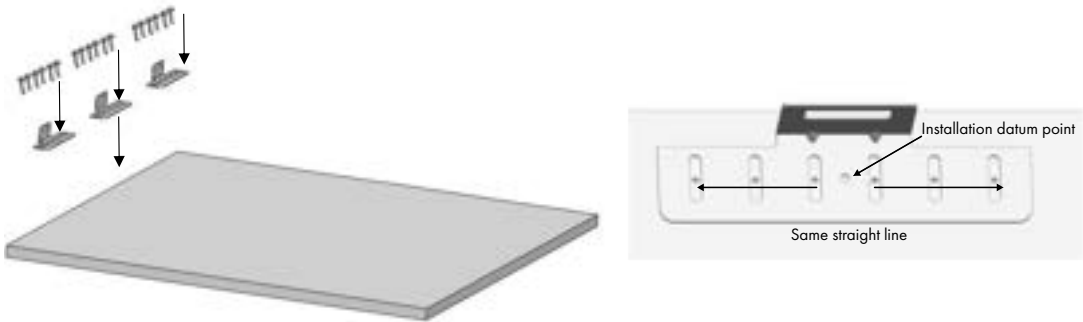
INSTALLING THE FREEZER DOOR PANEL

- Install the three freezer door panel hanger brackets (page 29, Item No 9) as shown below using 18 of the provided screws (page 29, Item No. 10).
- Use the door panel preparation template provided with the product to align these parts. We recommend keeping this template for future reference.



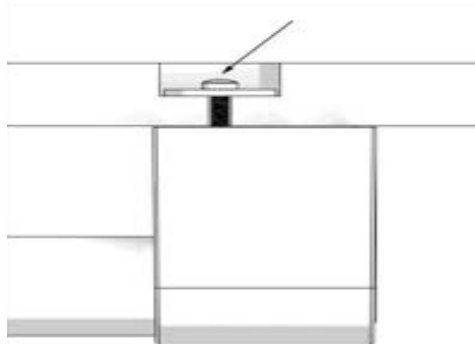
You must use screws suitable for the door thickness; this can vary depending on if you opt for custom panels.

Freezer door - 18 screws total, 6 for each bracket



ATTACHING THE DOOR HANDLES

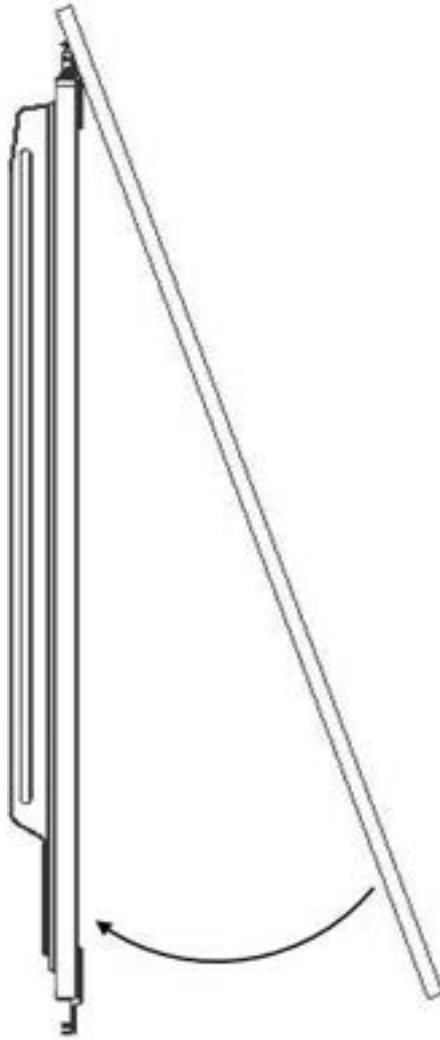
For both the refrigerator and freezer door handles, the provided mounting studs need to be installed on the decorative side of the panel; fix the other side of the screw in place with a washer and nut, and attach the handles as shown below.



INSTALLATION

INSTALLING THE REFRIGERATOR DOOR PANEL

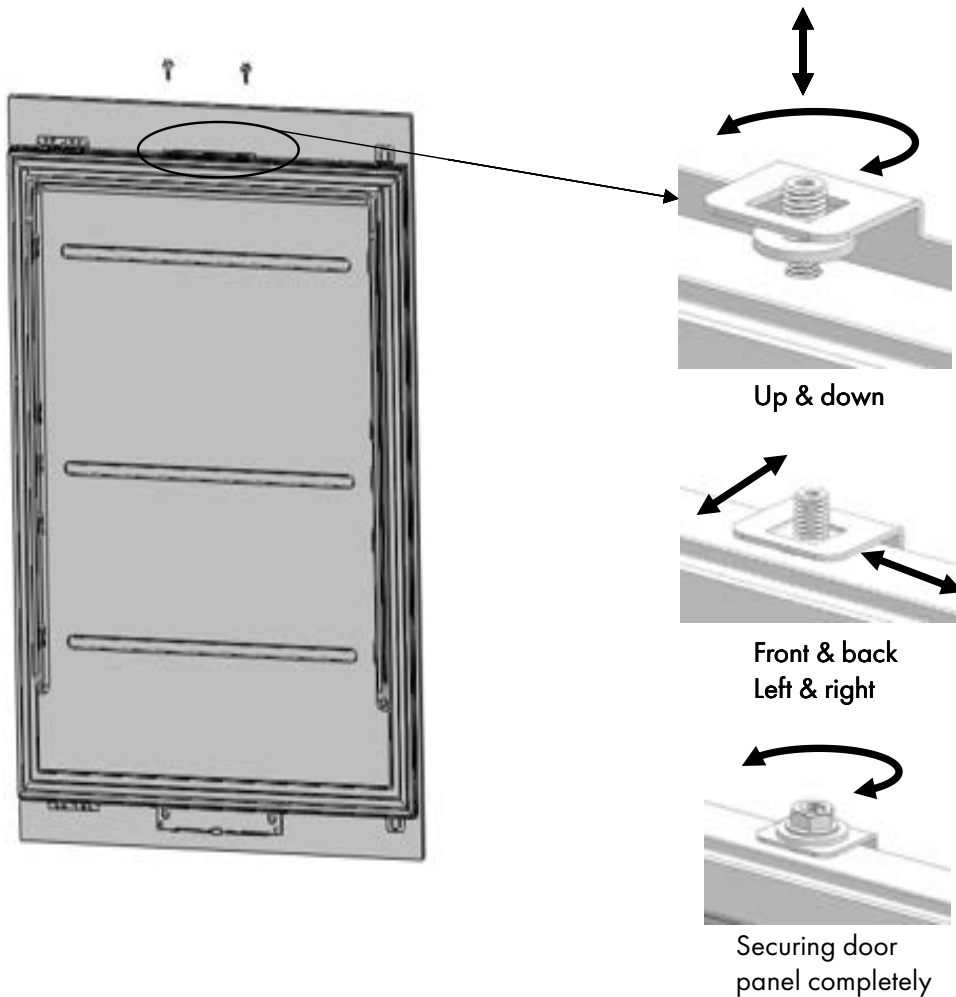
- With brackets properly installed, hang the door panel to the refrigerator door by aligning the top door panel hanger bracket to where the upper bracket and trim covers were removed on pages 54–55.



INSTALLATION

ALIGNING THE REFRIGERATOR DOOR WITH BOLTS

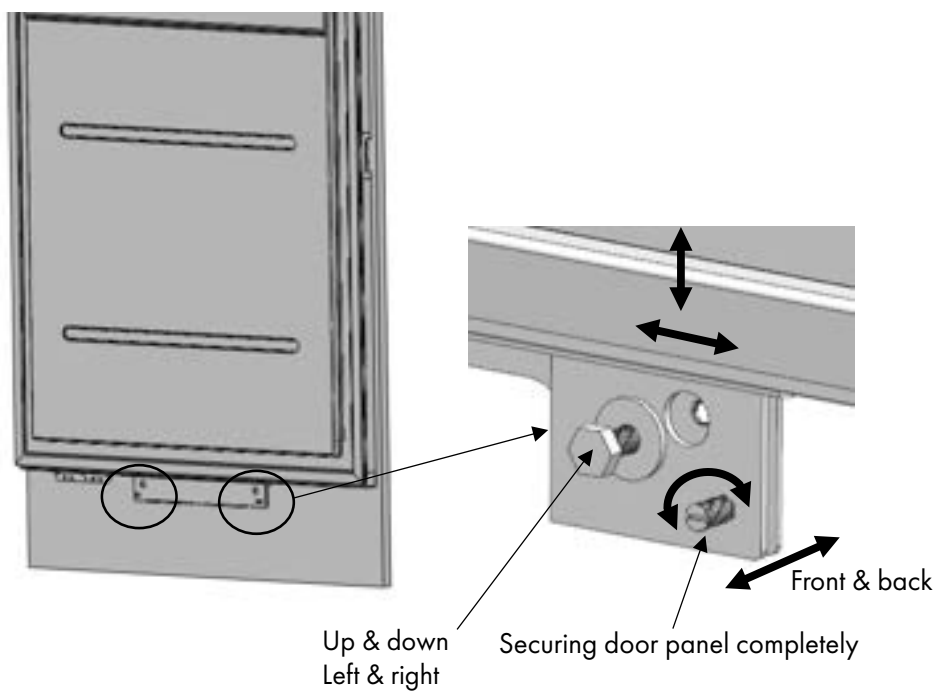
- You must position the door panel to be flush with both the refrigerator door and to the cabinet cutout.
- Distances between the doors must be $3/16$ " (5 mm); refer to page 42 as a reminder on how to properly align the door panels.
- To help with this, use a $1/4$ " - T25 Torx bit to rotate two bolts at the top refrigerator door panel hanger bracket to perform fine adjustments, as outlined below. Secure the door panel completely using a socket wrench.



INSTALLATION

ALIGNING THE REFRIGERATOR DOOR WITH BOLTS

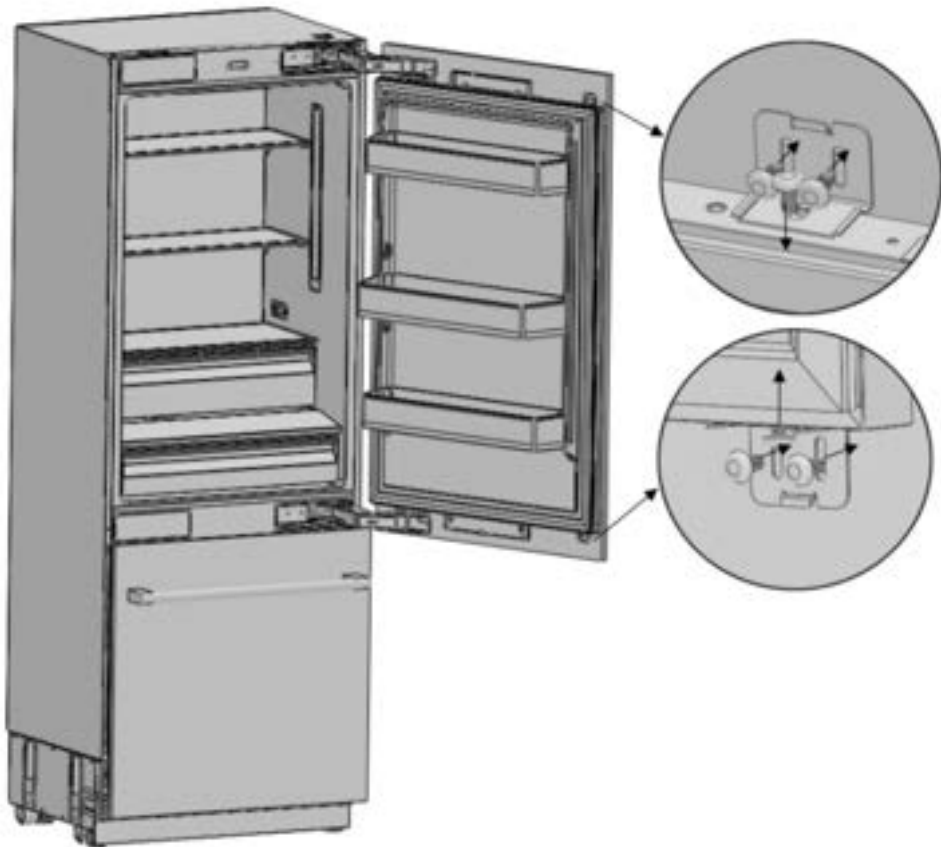
- Perform a similar process with the bolts located at the bottom door panel hanger bracket, as shown below. Secure the door panel completely using a flathead screwdriver.



INSTALLATION

SECURING THE REFRIGERATOR DOOR PANEL

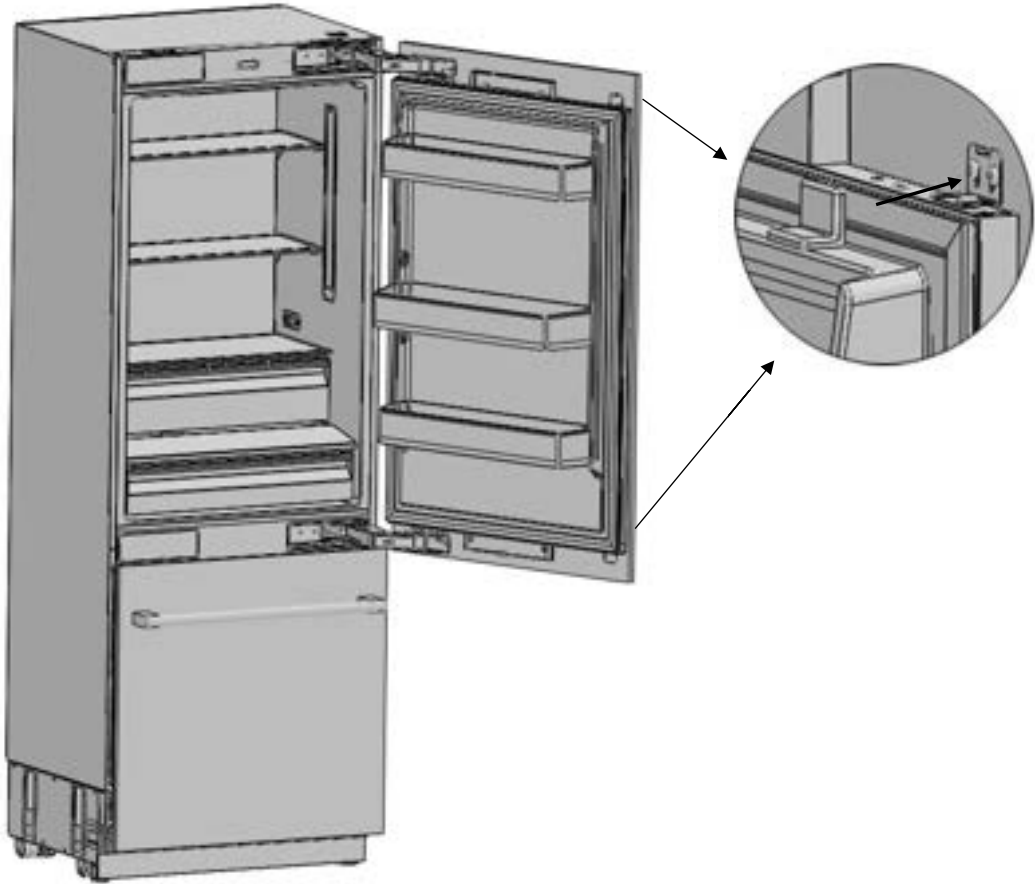
- Once the refrigerator door is aligned at top and bottom, use the door panel connecting bracket (page 30, Item No. 16) to connect to the door.
- Use one door screw (page 30, Item No. 15) to attach each bracket onto the door.
- Use two door screws (page 30, Item No. 17) to attach each bracket onto the panel.



INSTALLATION

SECURING THE REFRIGERATOR DOOR PANEL

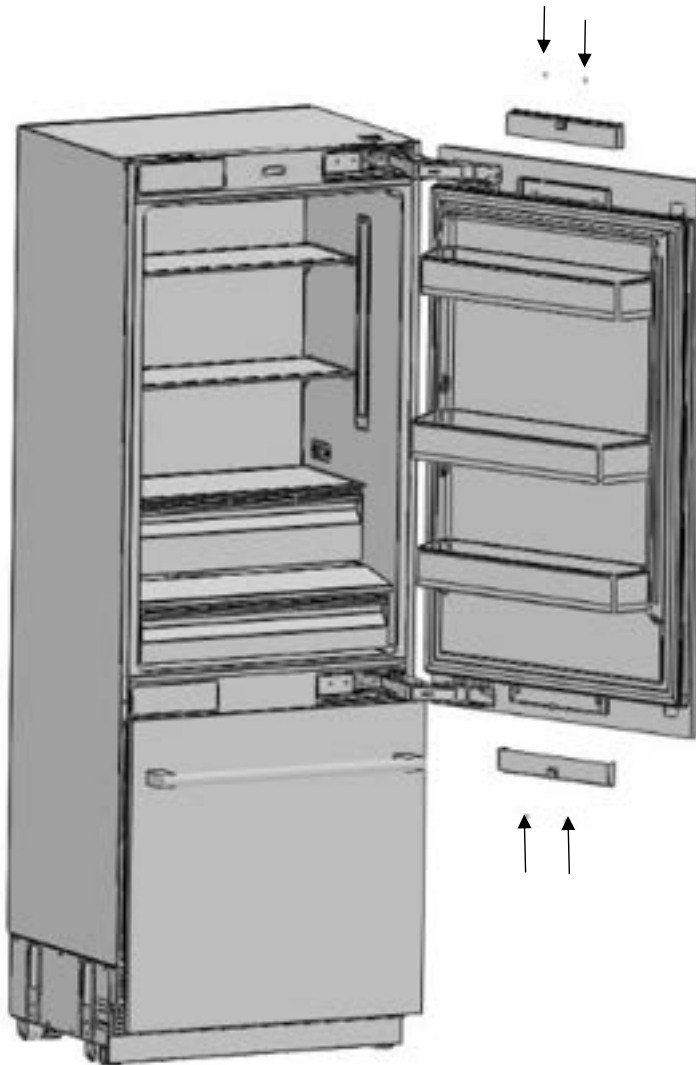
- Clip the door panel connecting bracket cover (page 30, Item No. 14) onto each bracket as shown below.



INSTALLATION

SECURING THE REFRIGERATOR DOOR PANEL (RBIV-30/RBIT-36 SERIES MODELS)

- Re-attach and screw in the upper/lower cover mounting brackets that were removed on page 54.

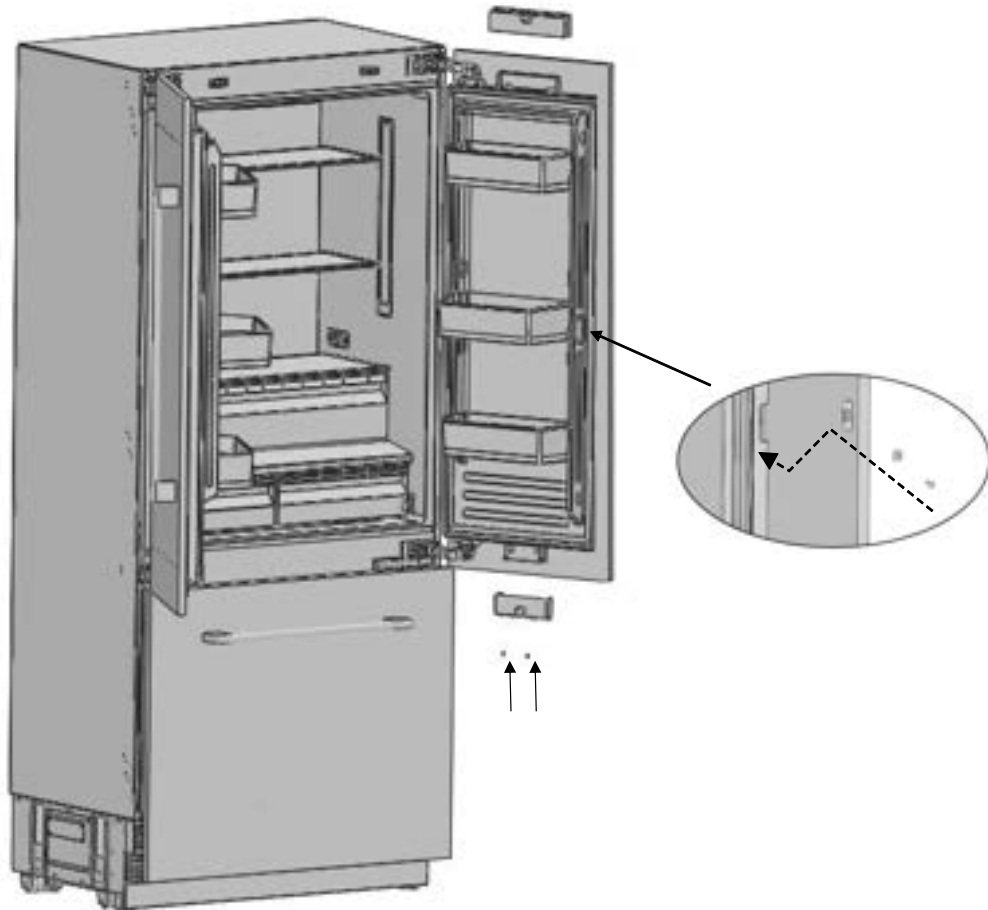


When finishing the installation, ensure the trim covers are secured back in their original position and the magnet is detected properly. This is an essential part of the unit's functionality.

INSTALLATION

SECURING THE REFRIGERATOR DOOR PANEL (RBIV-36)

- Re-attach and screw in the upper/lower cover mounting brackets that were removed on page 54.
- Secure the panel side mounting bracket at the door side by using screws (Item No. 19) and washer (Item No. 20).

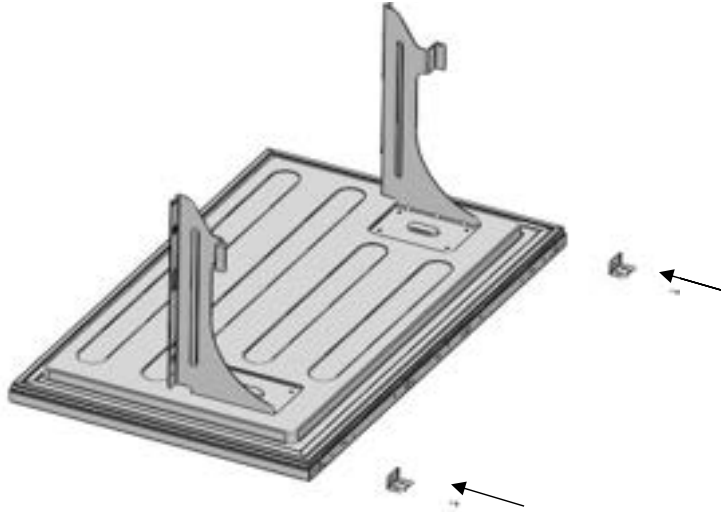


When finishing the installation, ensure the trim covers are secured back in their original position and the magnet is detected properly. This is an essential part of the unit's functionality.

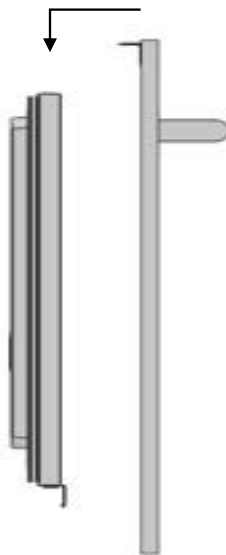
INSTALLATION

SECURING THE FREEZER DOOR PANEL

- Attach door panel connecting brackets (page 30, Item No. 16) on the lower part of the freezer, each with one screw (page 30, Item No. 15)



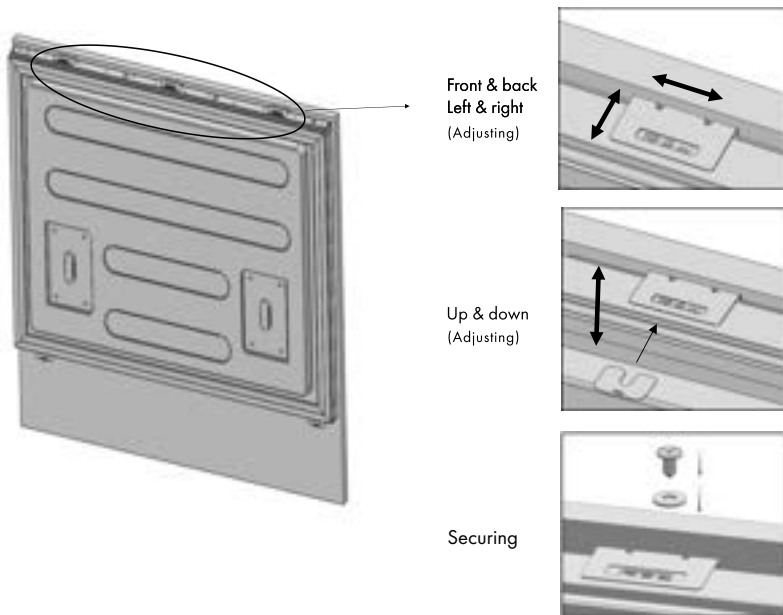
- Attach the panel onto the freezer door using the previously installed freezer door panel hanger brackets (page 65).



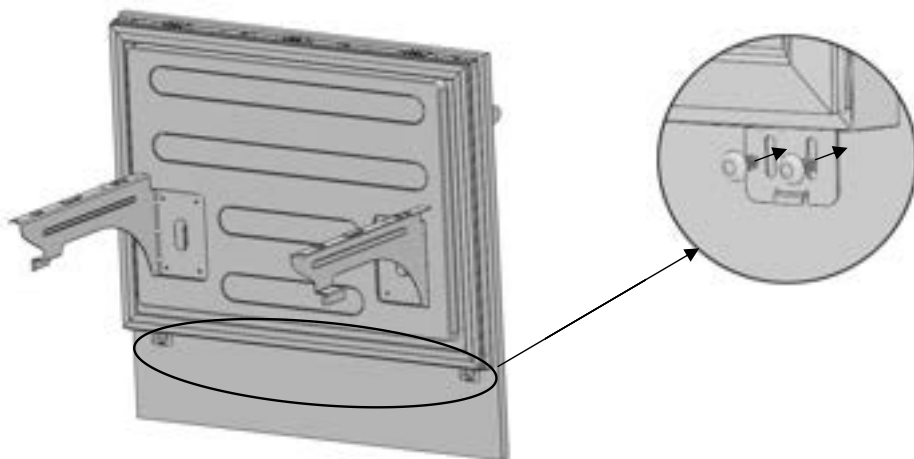
INSTALLATION

SECURING THE FREEZER DOOR PANEL

- Align the upper part of the door with the freezer door and secure the freezer door panel hanger brackets with three screws (page 29, Item No. 8) and three washers (Item No. 8-1) as outlined below.
- Freezer door adjustment spacers (page 29, Item No. 7) are provided if needed to align the freezer door up and down.



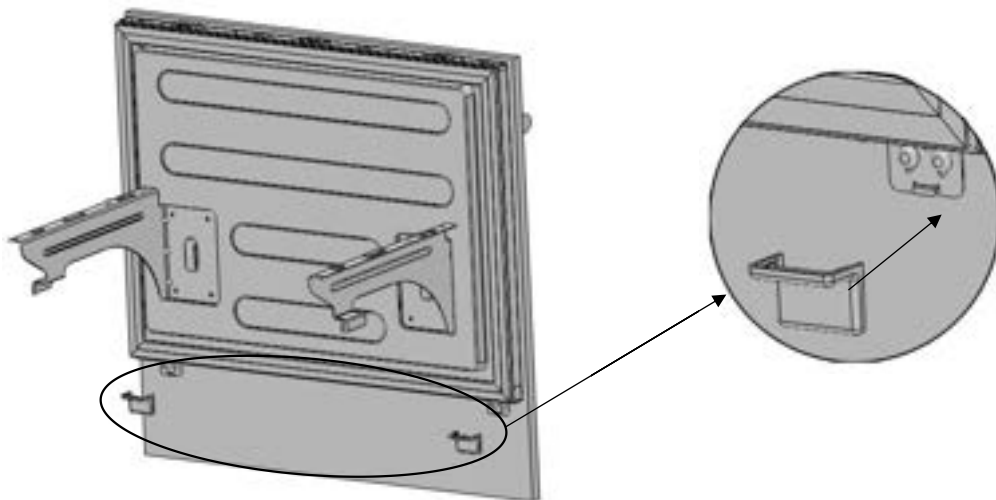
- Next, fasten two screws (page 30, Item No. 17) to secure the bottom of the panel to the door panel connecting brackets.



INSTALLATION

REINSTALLING THE FREEZER DOOR

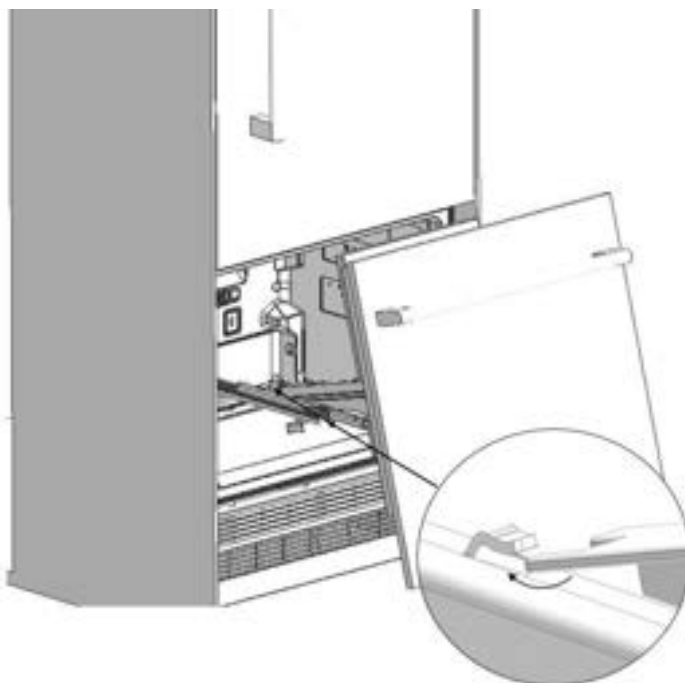
- Clip the door panel connecting bracket cover (page 30, Item No. 14) onto each bracket.



WARNING

You must keep these parts for future use. You will need them if you want to change the door directions.

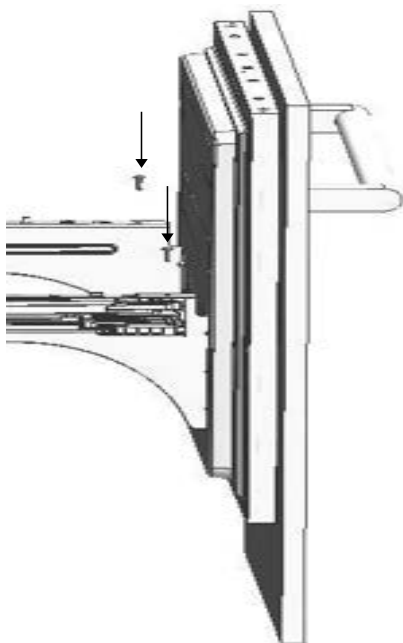
- Re-install the freezer door panel onto the rails in the reverse order of page 32 by clicking into the rear rail lock tabs.



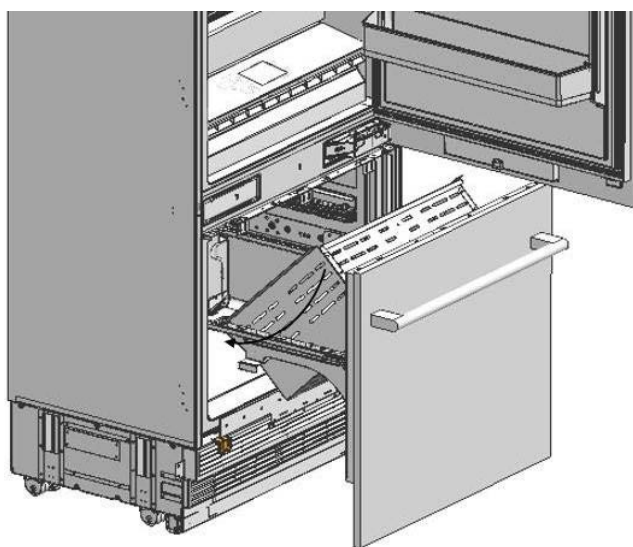
INSTALLATION

REINSTALLING THE FREEZER DOOR

- Fasten the freezer door panel onto the rails with two screws removed on page 32.



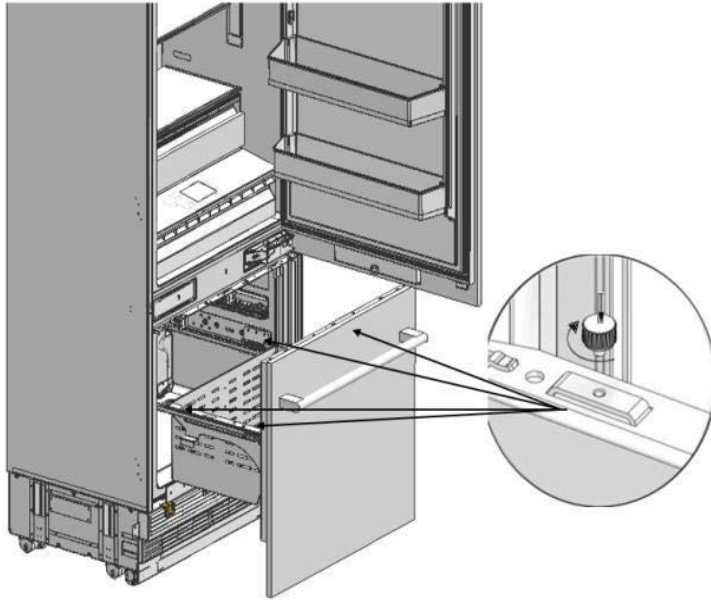
- Replace the drawer in the reverse of page 31.



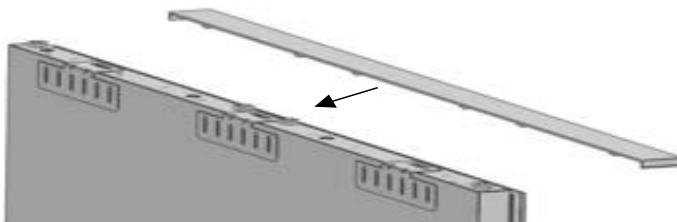
INSTALLATION

REINSTALLING THE FREEZER DOOR

- Re-fasten the four thumb screws by hand that were removed on page 31.



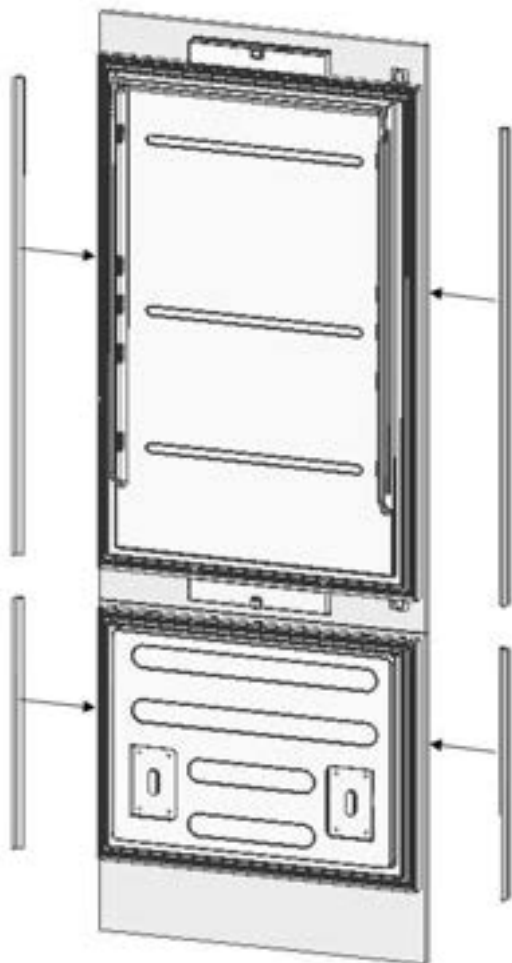
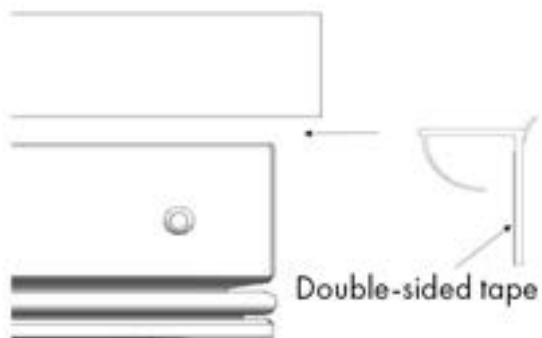
- Lastly, attach the freezer door top cover (Item No. 5, page 28) using the tabs.



INSTALLATION

ATTACHING THE TRIM PIECES

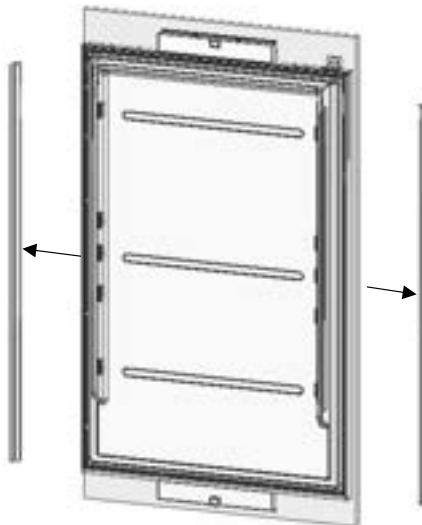
- Attach the refrigerator and freezer side trim seals (page 28, Item Nos. 2 and 3).
- The backing paper of the double-sided tape should be removed before attaching the trim pieces.



INSTALLATION

CHANGING DIRECTION OF THE REFRIGERATOR DOOR (RBIV-30/RBIT-36 SERIES MODELS)

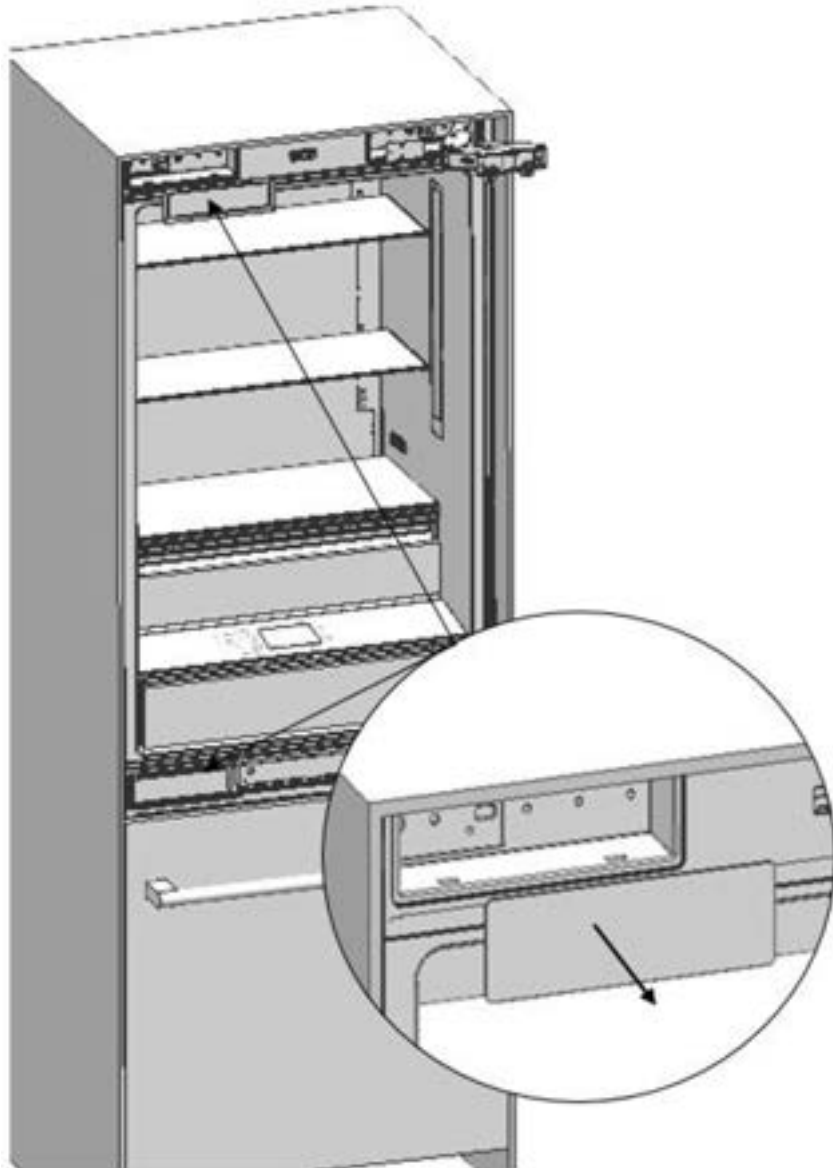
- Remove the trims on the side.



INSTALLATION

REPLACING THE HINGES

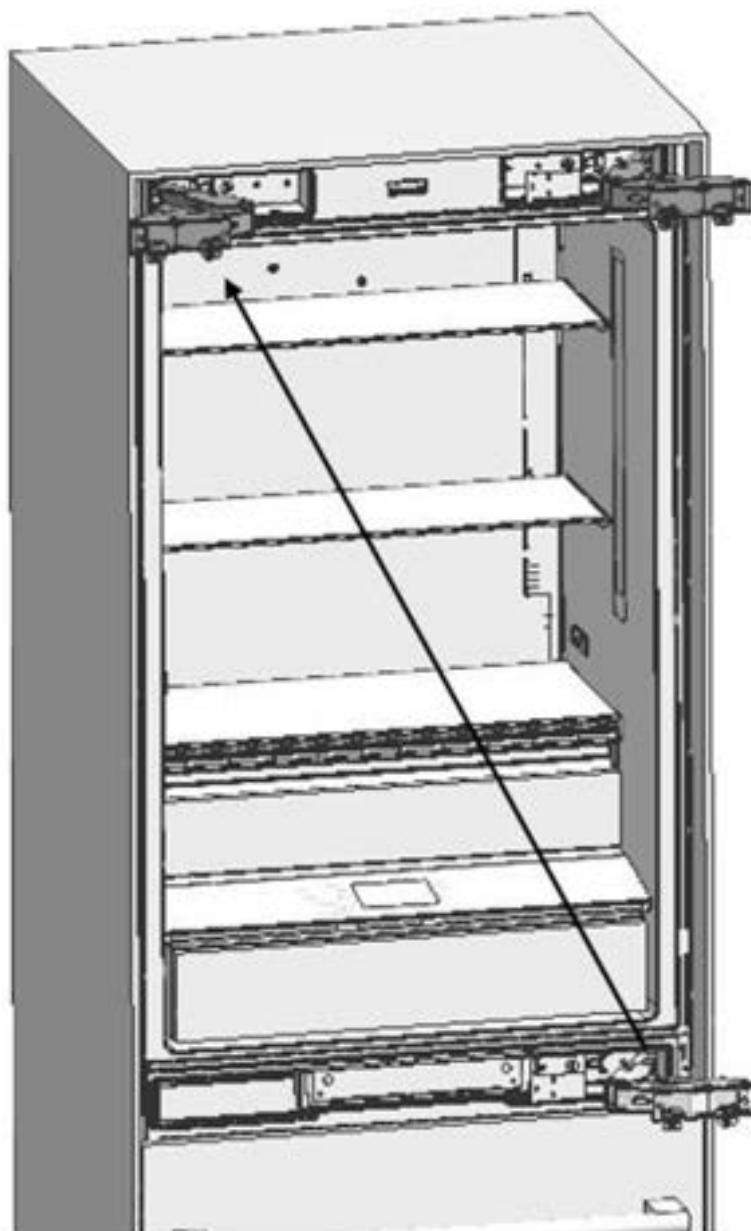
- Remove the hinge caps located at the other side where you will fix the hinges as outlined below.



INSTALLATION

REPLACING THE HINGES

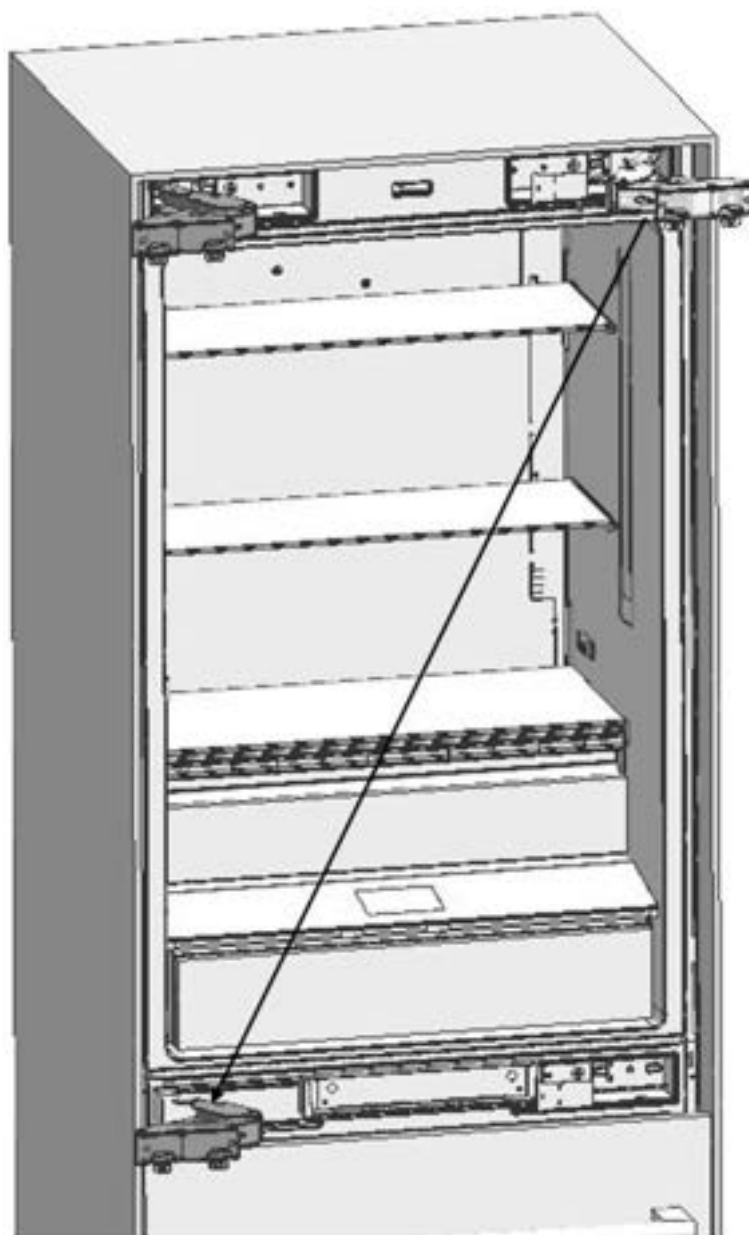
- Remove the lower right hinge by loosening its two screws and fix it to its slot at the upper left side as outlined below.



INSTALLATION

REPLACING THE HINGES

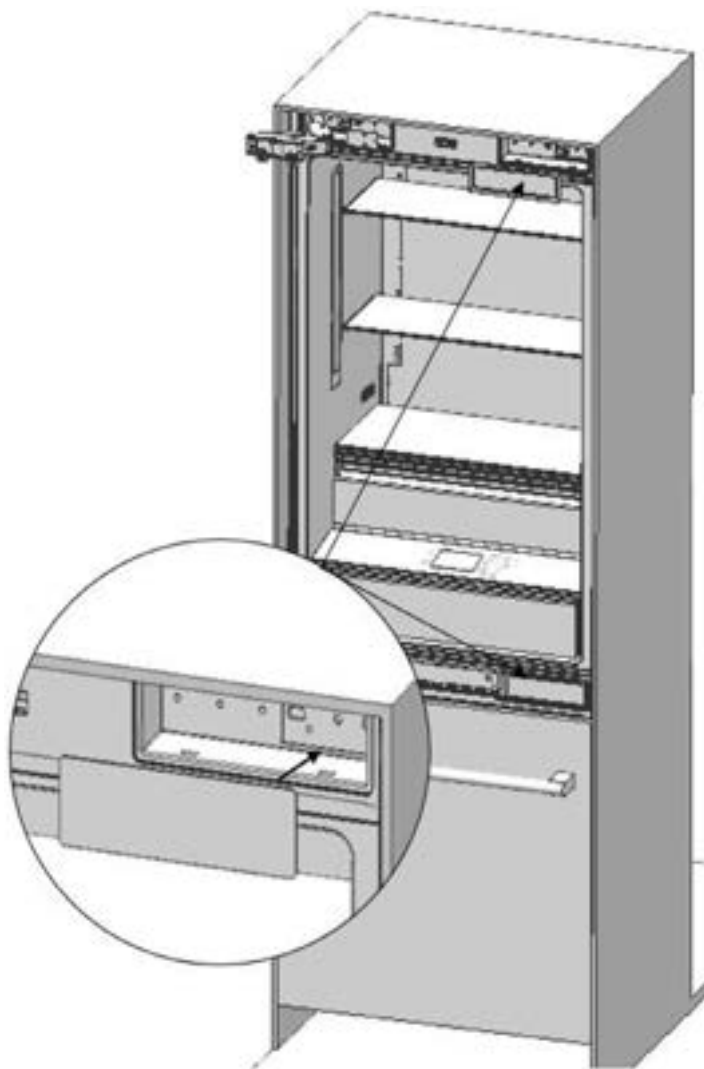
- Remove the upper right hinge by loosening its two screws and fix it to its slot at the lower left side as outlined below.



INSTALLATION

REPLACING THE HINGES

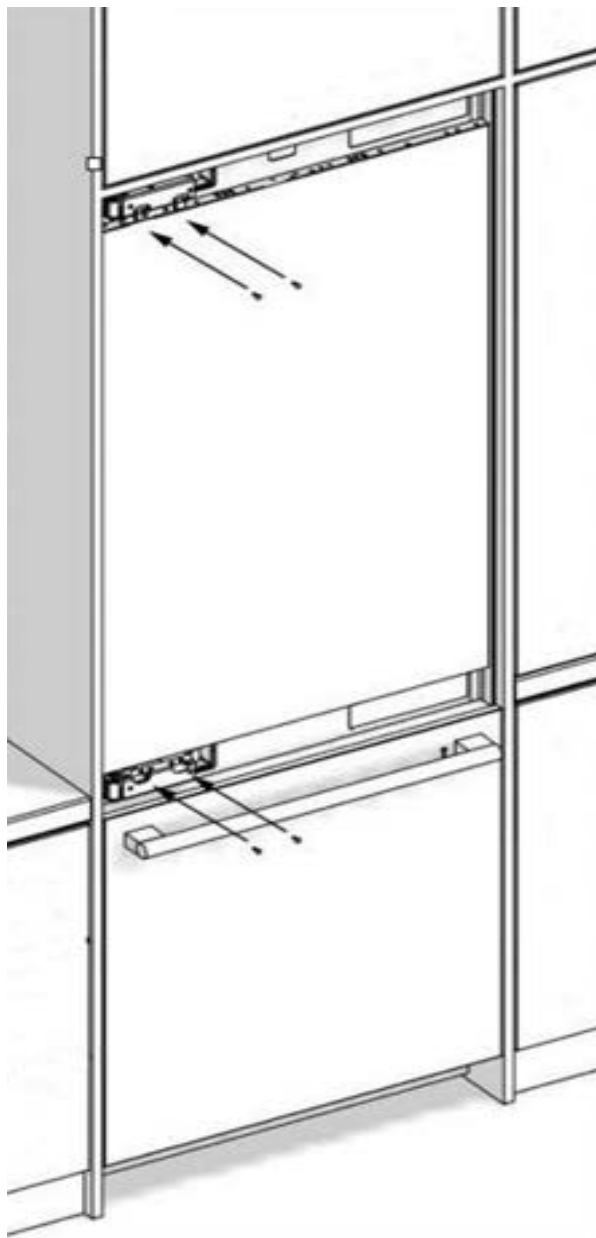
- Attach the hinge slot caps removed from the left side to the hinge caps at the right side as outlined below.



INSTALLATION

RE-INSTALLING THE REFRIGERATOR DOOR

- Place the refrigerator inner door to the unit and affix it with four screws removed on page 57 to achieve the new door swing layout as outlined below.



DUAL CABIN INSTALLATION

DUAL CABIN INSTALLATION

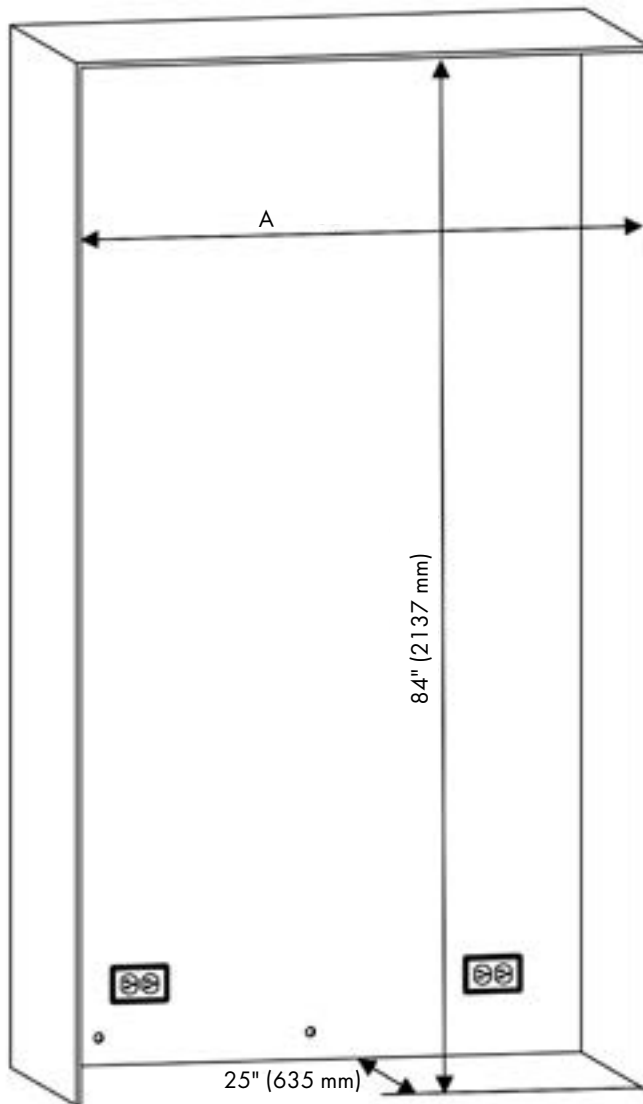
- **IMPORTANT:** If you've purchased a dual refrigerator, the installation process requires combining two models (2 RBIV-30 units or 2 RBIT-36 units) to create one dual unit.
- The dual refrigerator is a panel-ready appliance designed to be a permanent fixture in your custom kitchen; therefore, precise cabinet cutouts and superior attention to detail are required for seamless integration.
- Please carefully review the instructions included in this Installation Manual to install both units.



DUAL CABIN INSTALLATION

CABINET DIMENSIONS

- The dual unit models are panel-ready appliances designed to be a permanent fixture in your custom kitchen; therefore, precise cabinet cutouts and superior attention to detail are required for seamless integration.
- Since all kitchen layouts vary, the recommended dimensions below must be checked by a qualified professional before starting installation.



CATEGORY	RBIV-60 SERIES MODELS	RBIT-72 SERIES MODELS
A	60" (1524 mm)	72" (1829 mm)

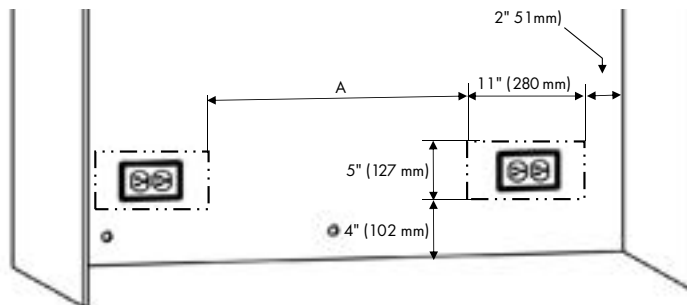
DUAL CABIN INSTALLATION

ELECTRICAL AND WATER REQUIREMENTS

- Each appliance is provided with a NEMA 5-15P plug and a 3-pin power cable designed to be connected to a 120VAC, 60Hz power receptacle.
- Therefore, we recommend both units be plugged into independent circuits. They can be plugged into the same outlet, but please note the circuit must have a dedicated 15-amp breaker that is not shared with any other appliance to avoid exceeding the combined power requirements.
- From a water standpoint, while both units also come with their own water supply, a qualified technician can easily tee off the water supply to provide water to both units if the customer desires.
- Refer to the diagrams below and on the following page, and please refer to earlier in this Installation Manual for additional information for electrical and water requirements and other installation needs.

ELECTRICAL LOCATION

- Location of electrical wiring must be within the range given below.
- Using an outlet with a ground fault circuit interrupter (GFCI) is not recommended.



CATEGORY	RBIV-60 SERIES MODELS	RBIT-72 SERIES MODELS
A	25 1/16" (637 mm)	19 1/8" (485 mm)



Do not use extension cables or two-pin adapters and do not remove the ground terminal of the grounding cable.



A qualified electrician must ensure that the poles of the socket are connected correctly and that the appliance is properly grounded.

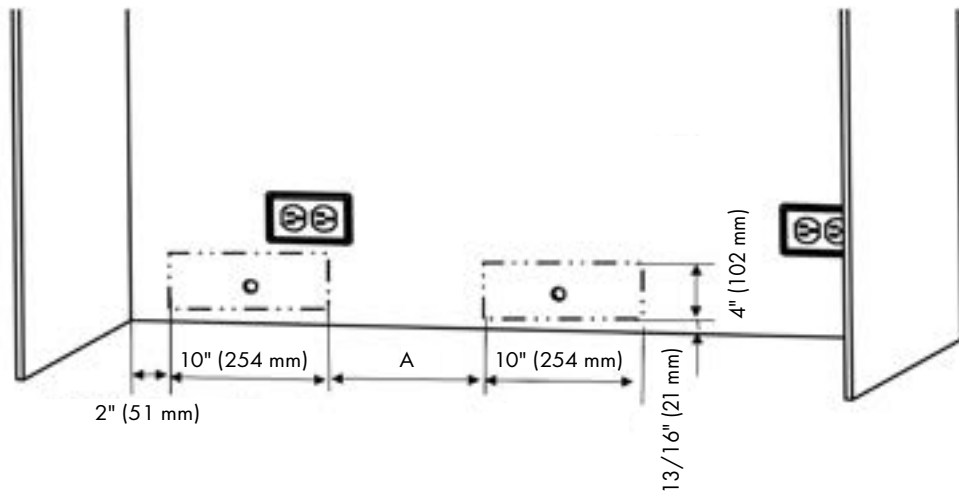
DUAL CABIN INSTALLATION

WATER SYSTEM LOCATION

- The water connected to the dual refrigeration unit must be potable.
- Location of the water system must be within the range outlined in the graphic at the bottom of this page.
- The unit's water system must be connected to the main water system in the house. The user must be able to switch the water system on/off with a valve when necessary.
- Objects that might pierce the water hoses or cause them to twist must not be present where the water line is installed.
- Pressure of the water system must be between 25–80 psi (1.7–5.5 bar).
- If the water pressure exceeds 80 psi (5.5 bar), install a pressure-limiting device or water pressure protector to the inlet valve. Never install or operate the appliance if it's possible for the water pressure to exceed 120 psi (8.3 bar).



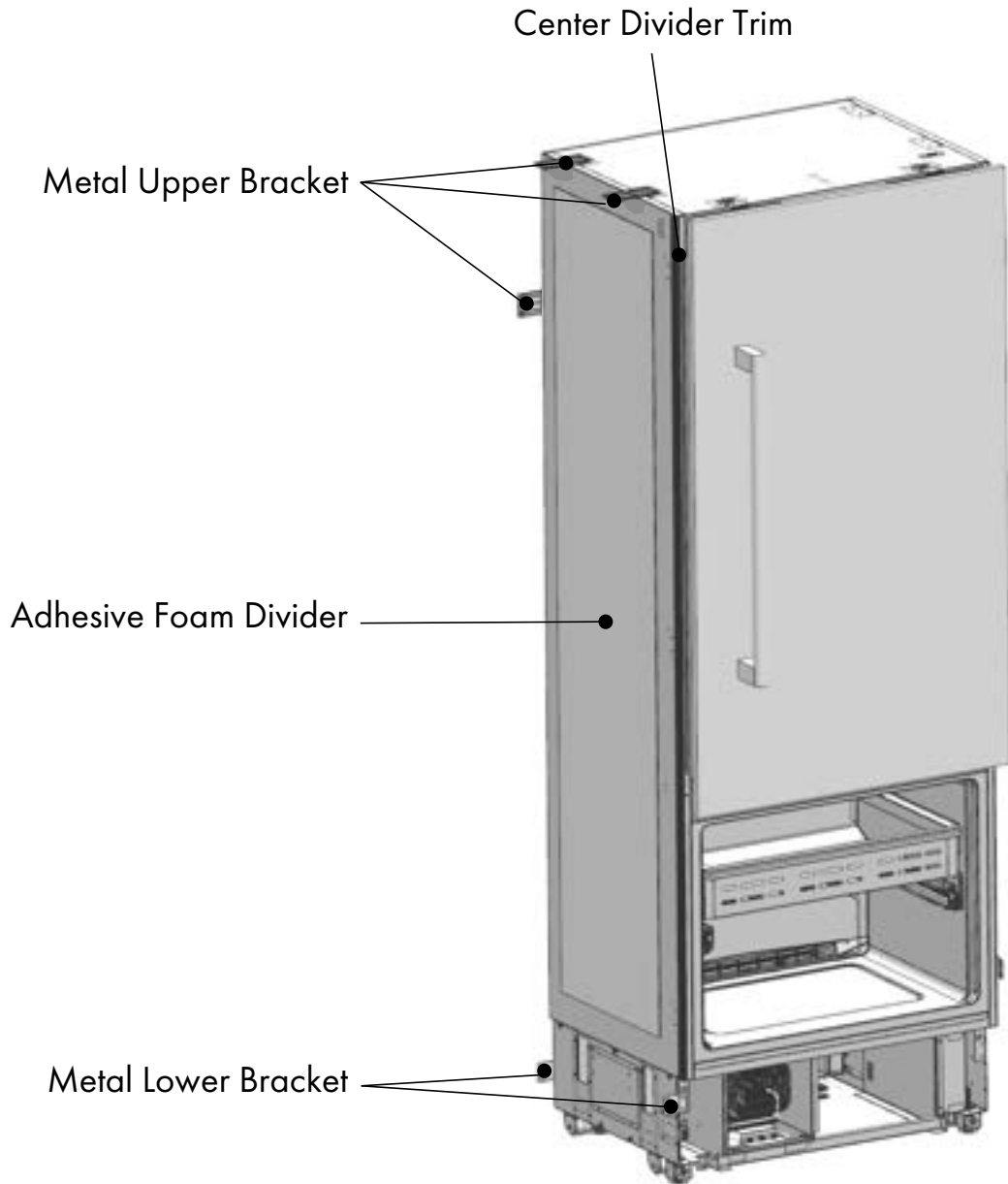
- Make sure there is no leakage when making water connections. Otherwise, there will be water on the floor and the cabinets may get damaged.
- You will need a hose with a minimum length of 60" (1524 mm) and a diameter of 1/4" (6 mm) for water connections of the product during installation.
- A connector that has a thread with an external diameter of 1/4" (6 mm) must be used to connect the hose end to the product.
- Before completing installation, make sure water flows and there is no leakage. Damage may occur if leaks are present.



CATEGORY	RBIV-60 SERIES MODELS	RBIT-72 SERIES MODELS
A	20" (508 mm)	26" (660 mm)



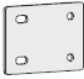


DUAL CABIN INSTALLATION

DUAL INSTALLATION COMPONENTS



DUAL CABIN INSTALLATION

JOINING KIT PARTS PROVIDED

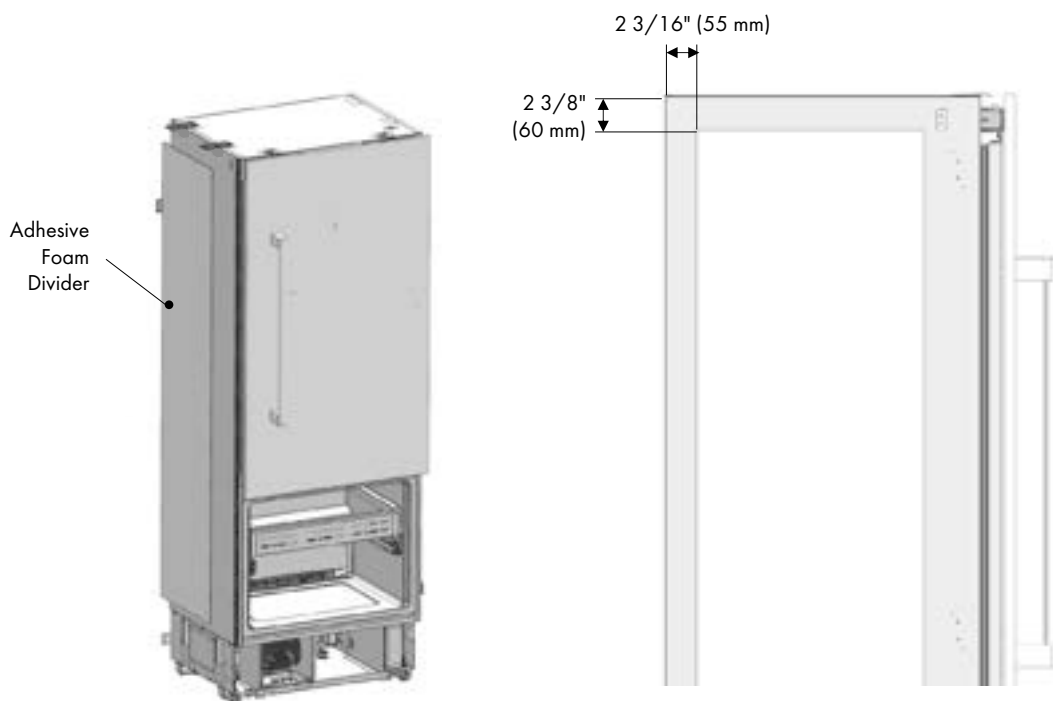
PART	IMAGE	DESCRIPTION	QTY
1. Adhesive Foam Divider*		1/8" x 15 3/4" x 68 7/8" (3 mm x 400 mm x 1749 mm)	1
2. Metal Mounting Bracket		1/8" x 2" x 4 1/2" (3 mm x 51 mm x 114 mm)	3
3. Metal Mounting Bracket		1/16" x 1 5/8" x 2 1/4" (2 mm x 41 mm x 57 mm)	2
4. Screws		Phillips head	20
5. Center Divider Trim		73 3/4" long (1873 mm long)	1

*Stick the Adhesive Foam Divider (Item No. 1) to the side panel so that the divider remains in between two cabins.

DUAL CABIN INSTALLATION

ATTACH THE ADHESIVE FOAM DIVIDER

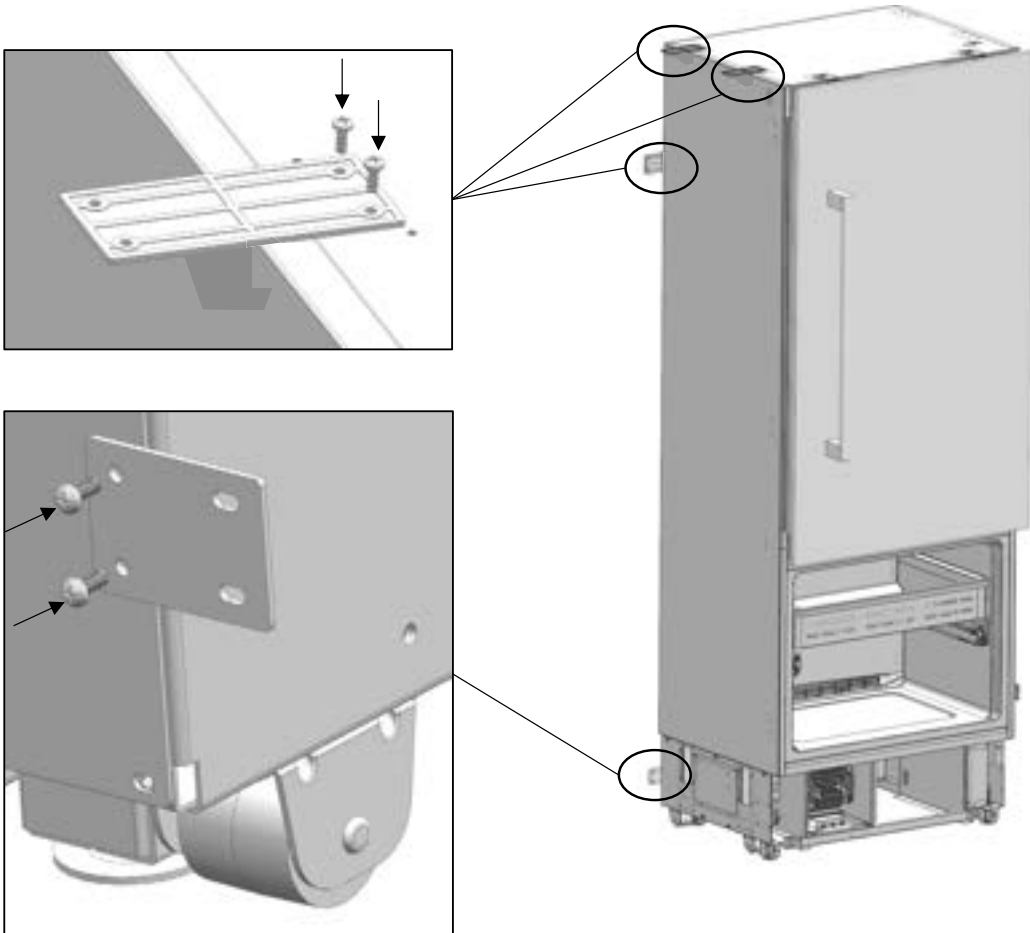
1. Approach the refrigerators from behind and angle one of them out.
2. Measure $2\frac{1}{8}$ " (54 mm) from the top and left corner of the side of the unit.
3. Using a level, ensure the adhesive foam divider (Item No. 1) remains parallel to the edge of the unit.
4. Peel the protective sticker off the divider and carefully press into place.



DUAL CABIN INSTALLATION

MOUNT UPPER BRACKETS AND LOWER BACK BRACKET TO CONNECT THE REFRIGERATORS

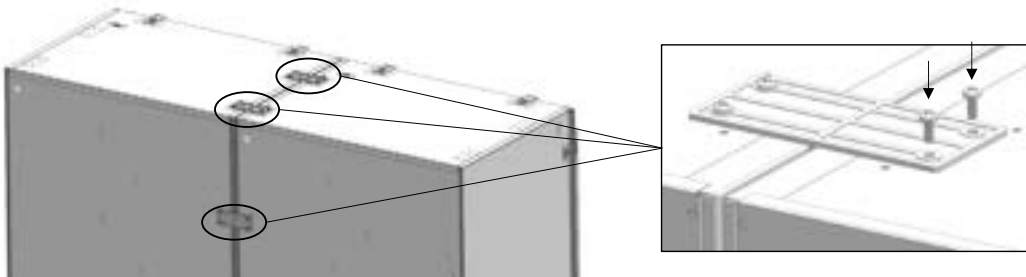
1. On the back of one unit near the top, find the location for one metal mounting bracket (Item No. 2) and fasten into place with two screws (Item No. 4), ensuring the small arm is pointed in.
2. Move to the top of the unit to install the other two metal mounting brackets (Item No. 2) with two screws (Item No. 4).
3. At the back base of the unit, install one metal mounting bracket (Item No. 3) by unscrewing the two existing screws, sliding into place and re-screwing both screws. Unscrew the same two screws on the other unit and set aside for later.



DUAL CABIN INSTALLATION

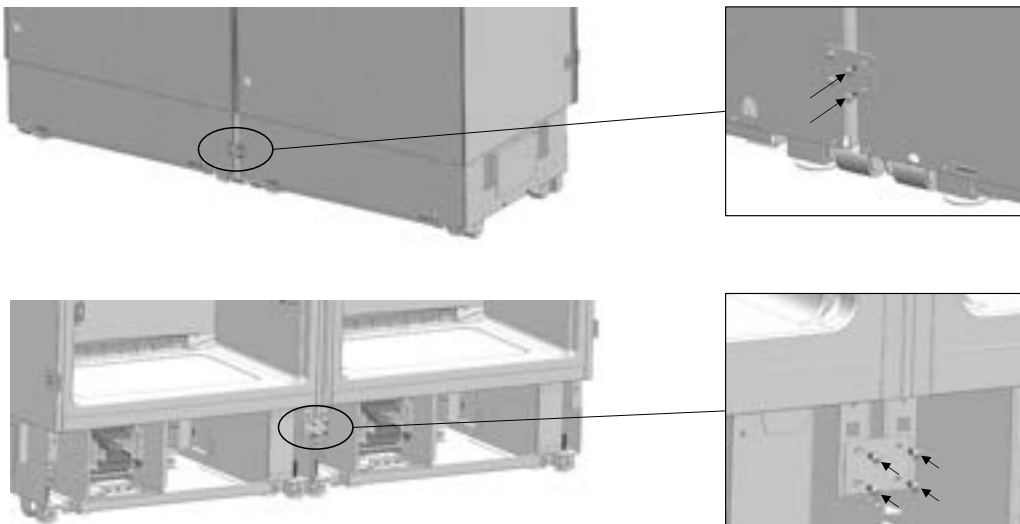
CONNECT UPPER BRACKETS TO CONNECT THE REFRIGERATORS

1. Realign both refrigerators so they are flush and line up with the opening where they will be installed.
2. Finish installing the metal mounting bracket on the back with the other two screws to connect both units. Do the same with both brackets on top.



CONNECT LOWER BRACKETS TO CONNECT THE REFRIGERATORS

1. At the back base of the unit, finish installing the metal lower bracket by screwing in the two screws set aside earlier.
2. Install the second metal lower bracket on the front base of both units using the remaining four screws.

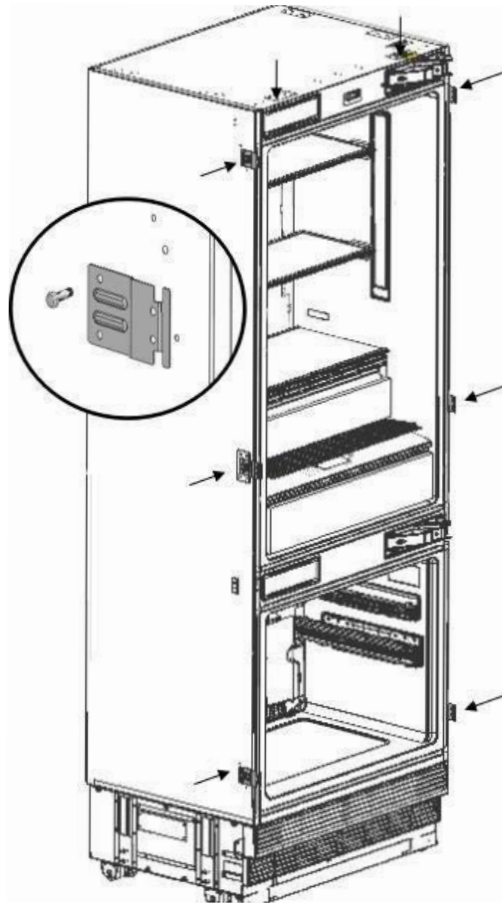


DUAL CABIN INSTALLATION

ATTACHING THE CABINET MOUNTING BRACKETS

1. With both units connected, you need to install cabinet mounting brackets provided with your parts kit before you can push the dual unit into place.
2. Three cabinet mounting brackets go on the outer left and right sides of the dual unit, while four total brackets go on top of the dual unit — two on each unit.
3. Using a screwdriver or drill with a Phillips-head bit, fasten 20 screws provided with the RBIV-30 parts kit to secure all 10 cabinet mounting brackets to the dual unit.

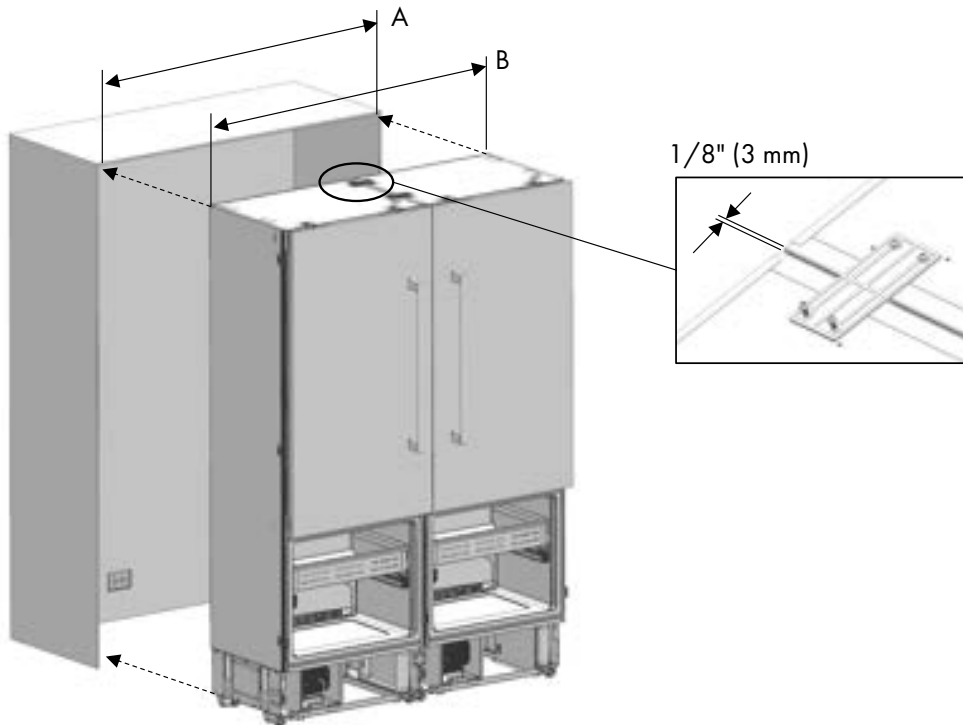
NOTE: The image below shows how you would install a single unit — three brackets on each side and two on top. Since you're installing a dual unit into one cabinet cutout, there is no need for cabinet mounting brackets to be installed in the middle of both units.



DUAL CABIN INSTALLATION

PUSH INTO PLACE

1. Before pushing into place, install the necessary power and water connections and anti-tip brackets (refer to your Installation Manual).
2. Uninstall the door on the left unit and re-orientate the inside drawers and hinges so the handle to the door pulls out to the left — opposite of the door on the right unit — then reinstall the door (refer to your Installation Manual).
3. Carefully push the dual unit into the cabinet and ensure there is a 1/8" (3 mm) gap on either side.



CATEGORY	RBIV-60 SERIES MODELS	RBIT-72 SERIES MODELS
A - width of cabinet cutout	60" (1524 mm)	72" (1829 mm)
B - width of dual unit	59 5/8" (1514 mm)	71 1/2" (1816 mm)



Refrigerators are top-heavy and weigh 342 lb (155 kg). The dual unit weighs close to 700 lb (318 kg). Take care when installing the product; two-person assembly is highly recommended.

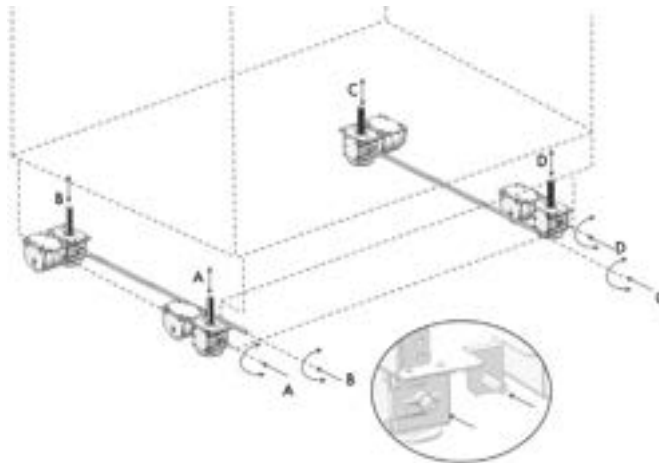
DUAL CABIN INSTALLATION

ADJUSTING THE REFRIGERATOR HEIGHT

1. With the dual unit now pushed into the cabinet, the feet need to be raised in order to secure the product to the anti-tip brackets.
2. You may use a drill with a 1/4" hex bit or a socket wrench to adjust leg height; we recommend using a socket wrench by hand to avoid the risk of stripping the legs. **Do not use an impact drill to adjust the feet; doing so may cause damage.**



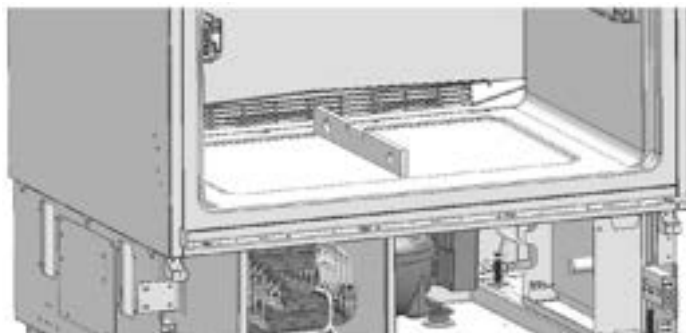
It's important to raise the front feet first to reduce risk of the appliance falling frontward, which would increase the risk of injury.



A/D — Turn the key clockwise to lift the front

B/C — Turn the key clockwise to lift the rear

3. After adjusting the feet, check if both units are level in both width and depth directions. You may readjust as needed after panels are installed.



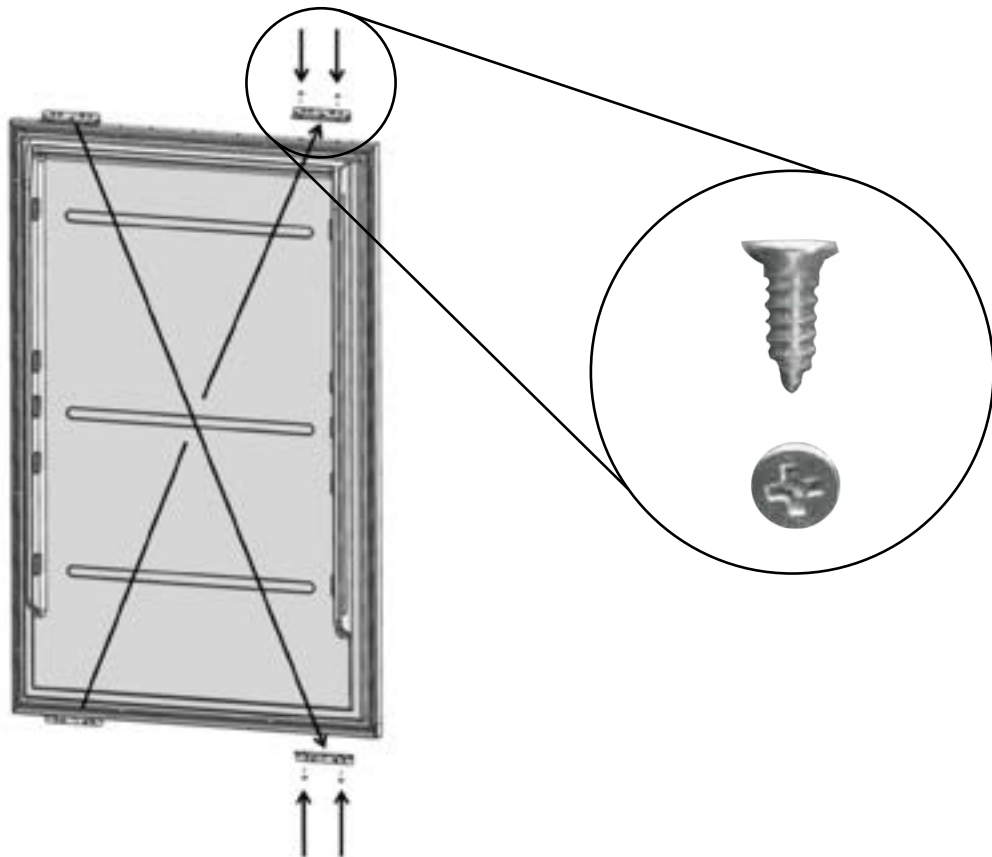
4. The maximum height the adjustable feet can reach is 1 9/16" (40 mm), and the maximum product height is 85 3/8" (2169 mm).

DUAL CABIN INSTALLATION

REVERSING THE DIRECTION OF THE REFRIGERATOR DOOR

NOTE: It's important to note that the two metal connection brackets are not identical. When reversing the hinge from right to left, the connection brackets must be installed on the opposite side of the door. The upper connection bracket must be installed on the bottom side, the bottom connection bracket must be installed on the upper side.

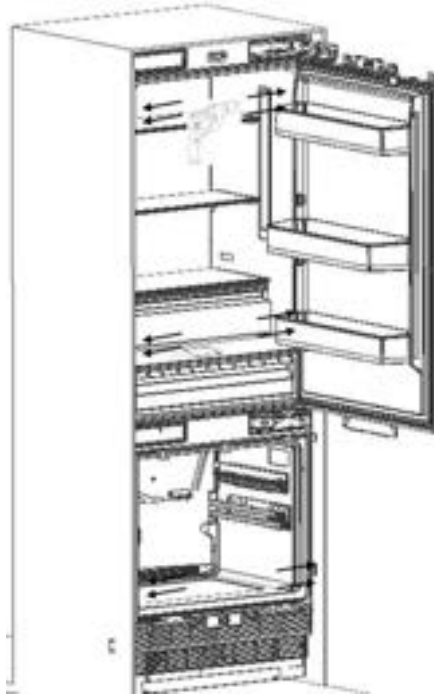
1. Take out the door and lay it down on a table.
2. Remove the brackets and screw them to the opposite side of the door as outlined below.
3. Attach the brackets using two screws.



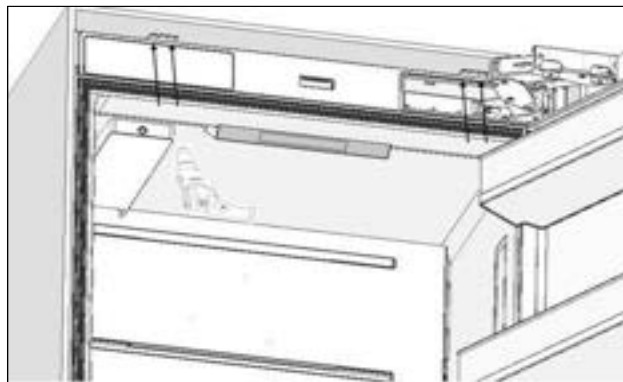
DUAL CABIN INSTALLATION

SECURING THE DUAL UNIT INTO THE CABINET CUTOUT

1. With the dual unit now pushed into the cabinet and perfectly level, you can finalize flush installation by securing the cabinet mounting brackets installed on page 94.
2. If you have difficulty tightening the screws, opening a reference hole with a drill will make this procedure easier, as shown in the images below.



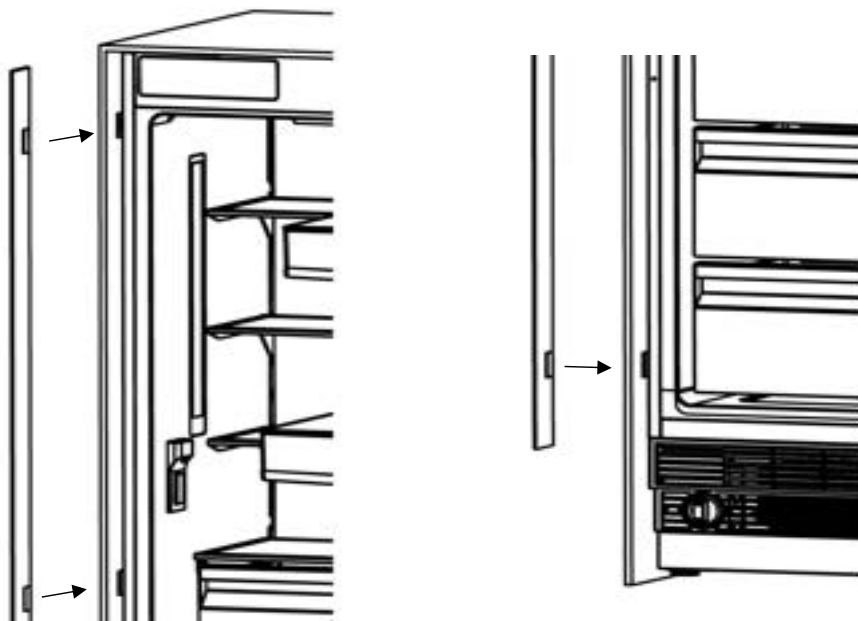
3. Using the remaining cabinet mounting bracket screws provided with your parts kit, secure the right unit to the cabinet — 4 screws on top and 6 on each side.
4. After the right unit is secured into the cabinet, secure the left unit into the cabinet in the same manner — 4 screws on top and 6 on each side.



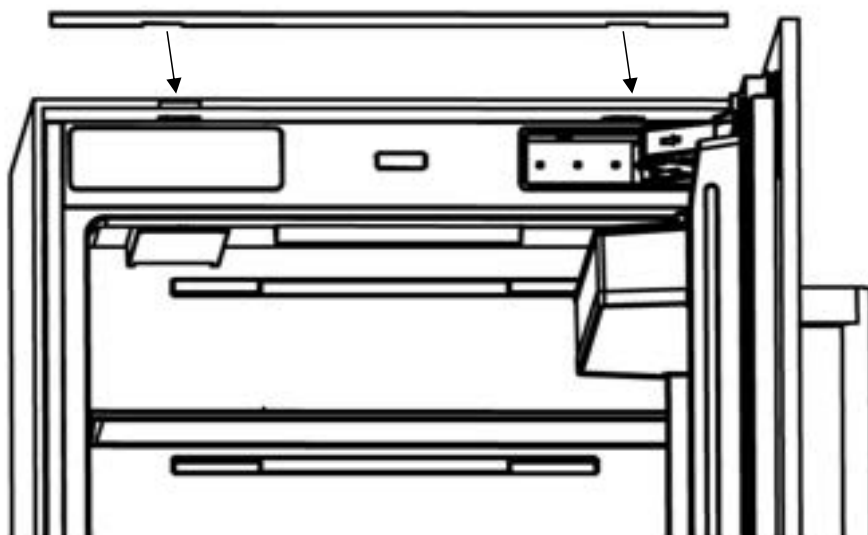
DUAL CABIN INSTALLATION

ATTACHING THE TRIM PIECES

1. Attach the side trim pieces provided with the parts kit onto the outer sides of each unit, covering the cabinet mounting brackets as shown below.



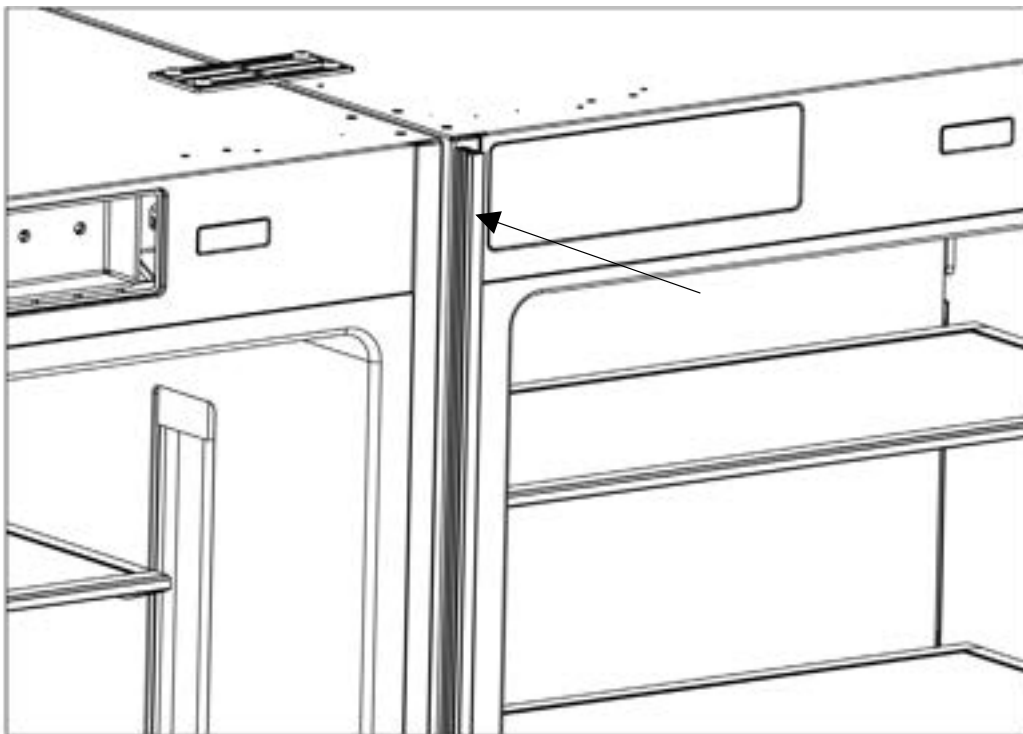
2. Attach the top trim pieces provided with the parts kit onto the tops of both units, covering the cabinet mounting brackets as shown below.



DUAL CABIN INSTALLATION

INSTALL DIVIDER TRIM

1. After ensuring both units are flush and everything is level, insert the center divider trim (Item No. 5 in the dual unit parts list) between both units and lightly pound into place with the back of your fist.



DUAL CABIN INSTALLATION

INSTALLATION COMPLETE

- **IMPORTANT:** Refer to the earlier pages of this Installation Manual as needed for other installation procedures for single or dual units.



WARRANTY

COVERAGE

ZLINE Kitchen and Bath ("ZLINE") built-in refrigerators have a two year parts and service warranty and a five year parts warranty on the unit's sealed cooling system.

ZLINE warranty periods begin from the original date of product delivery and solely cover the original purchaser of the product, delivered new and in its original carton. The limited warranty covers all parts and labor for necessary repairs if any part of the product, or the product itself, proves to be defective in materials or workmanship.

The product must be deemed serviceable via troubleshooting with the ZLINE Customer Experience team. All service on ZLINE products under warranty must be performed by ZLINE-approved and ZLINE-certified service providers unless otherwise specified by ZLINE. Service will be provided during normal business hours.

Products must be unobstructed and accessible to the service provider at the time of service. ZLINE's liability is limited to the original purchase price of the product. Additional injuries, losses, damages, or other inconveniences caused by product malfunction or defects in materials are not covered under the terms of this warranty.

TERMS

ZLINE warranties apply only to the original purchaser of a ZLINE product installed for normal residential use. This is defined as a single-family, residential dwelling in a non-commercial setting. Any warranty claim stemming from installation, operation, or any other use within a commercial setting is not covered under this limited warranty. Commercial settings include, but are not limited to: schools, churches, hotels, restaurants, vacation rentals such as Airbnb, daycare centers, private clubs, fire stations, common areas in multi-family dwellings, nursing homes, food service locations, and institutional food service locations such as hospitals or correctional facilities.

This warranty is non-transferable and will not under any circumstance be extended based on the date of installation — the warranty period takes effect from the date of delivery and only covers the original purchaser. The warranty applies only to products installed in the contiguous United States and the District of Columbia.

WARRANTY

Failure to secure certified warranty service per these terms will result in a forfeiture of the remaining warranty. Out-of-pocket payments will not be reimbursed unless prior approval is received from ZLINE and/or ZLINE-certified service contract partners. Unapproved out-of-pocket payments for service will not be reimbursed. All warranty procedures must be followed to maintain warranty coverage.

If a product qualifies within the service window provided under these warranty terms, and ZLINE is unable to repair the product or a defective part of the product after a reasonable number of attempts, ZLINE reserves the right to offer to replace the defective part or the product or provide the original purchaser a full refund of the purchase price of the product (not including installation, removal, or other charges that were not included in the original purchase price).

The original purchaser of the product must provide the original proof of purchase, including the purchase date, when filing a claim to obtain replacement parts, service, or refunds. Additionally, the original purchaser of the product must provide the serial number of the product when filing a claim to obtain replacement parts, service, or refunds.

This warranty shall not apply to any ZLINE product in which the original factory serial number has been removed, altered, or cannot be readily determined for any reason. Further, ZLINE is not responsible for damage resulting from, but not limited to: shipment, delivery, or improper installation; negligence or improper maintenance, misuse, or abuse of the product; unauthorized alteration, modification, or tampering with the product; accident, fire, floods, pest infestations, pandemics, natural disasters, or any other unpreventable or unexplained acts of nature, commonly referred to as "acts of God"; flare-up fires or damages caused by improper electric supply, electrical line current, voltage, or power surges; and service to correct installation not in accordance with the instructions contained in ZLINE's product manuals and/or with local government codes.

In the event service is dispatched, and it is discovered that the reported issue is not covered under warranty based on the disclaimers above, the customer will be responsible for all service fees. Failure to pay these fees will result in the forfeiture of remaining warranty coverage.

WARRANTY

Information contained within ZLINE's installation and user manuals, in addition to product information included on ZLINE's website and all related digital listings, do not cover every possible condition and situation that may occur during the installation or operation of ZLINE products.

ZLINE reserves the right to make changes at any time to its products when considered safe, necessary, and useful. Always check the ZLINE website for the most up-to-date version of its product manuals: www.zlinekitchen.com/pages/manuals.

Do not install or operate any ZLINE product if it has missing or broken parts or if it arrives damaged due to shipping. If ZLINE products arrive damaged, contact ZLINE Customer Experience at 1-614-777-5004 for help. Failure to report a damaged appliance prior to installation or operation may void the warranty.

ZLINE disclaims responsibility for damage or injury caused by improper installation or use of any of its products. ZLINE is under no obligation, by law or otherwise, to provide concessions, including repairs, prorates, rebates, discounts, or replacements, once the warranty has expired.

SERIAL NUMBER LOCATION



The rating tag shows the model and serial number of your refrigerator. The product label and rating tag are located on the left-hand side of the cabinet. The tag is visible when the refrigerator door is open. Do not remove permanently affixed labels, warnings, or plates from the product. This will void the warranty.

WARRANTY



SERVICE

For warranty service, please contact our Customer Service team at 1-614-777-5004 or visit www.zlinekitchen.com/contact to utilize our online Customer Experience Portal.



Scan the QR code to view the most up-to-date version of our user manual and installation manual.



Need to purchase a part or accessory for your ZLINE product?
Visit www.zlineparts.com, ZLINE's official parts distribution partner.

3.6.4

1-614-777-5004

www.zlinekitchen.com

contact@zlinekitchen.com

ZLINE
ATTAINABLE LUXURY®