

# RBMU30R



Product family	Refrigerator
Installation	Built-in
Category	Bottom mount
Built-in niche	>200
Reference width	70 - 80
Reference height	Higher than 200
No-frost system	Total
Cooling type	Total no-frost - Dual-flow cooling system
Defrost	Automatic
Hinge	Door-to-door
Kitchen panel	Not supplied
Hinge position	Right
EAN code	8017709332709



## Aesthetic

Aesthetics	Universal	Drawers profile color	Silver
Logo color	Silver	Glass shelf profile color	Silver
Side material	Steel	Display	TFT
Logo	Silkscreened	Display position	Internal
Door shelf profile color	Silver	Water filter	Yes

## Refrigerator compartment features



No. of adjustable shelves	3	Crisper cover	Yes
Number of fruit and vegetables drawers	2	Type of crisper cover	Glass
Type of adjustable shelves	Glass	Refrigerator lighting	Yes
Crisper drawer type	Sliding crisper	Refrigerator lighting	LED

## Refrigerator Inner Door

Number of adjustable door shelves	3	Door bin with wire support	Yes
Adjustable door bins with wire support	Yes		

## Other Refrigerator features



**MultiFlow** Yes

## Freezer features

<b>Number of drawers</b>	1	<b>Freezer lighting</b>	Yes
<b>No. of lights</b>	2	<b>Freezer lighting</b>	LED

## Other Freezer features

<b>Ice maker</b>	Automatic	<b>Ice-tray shelf</b>	Yes
------------------	-----------	-----------------------	-----

## Other technical features



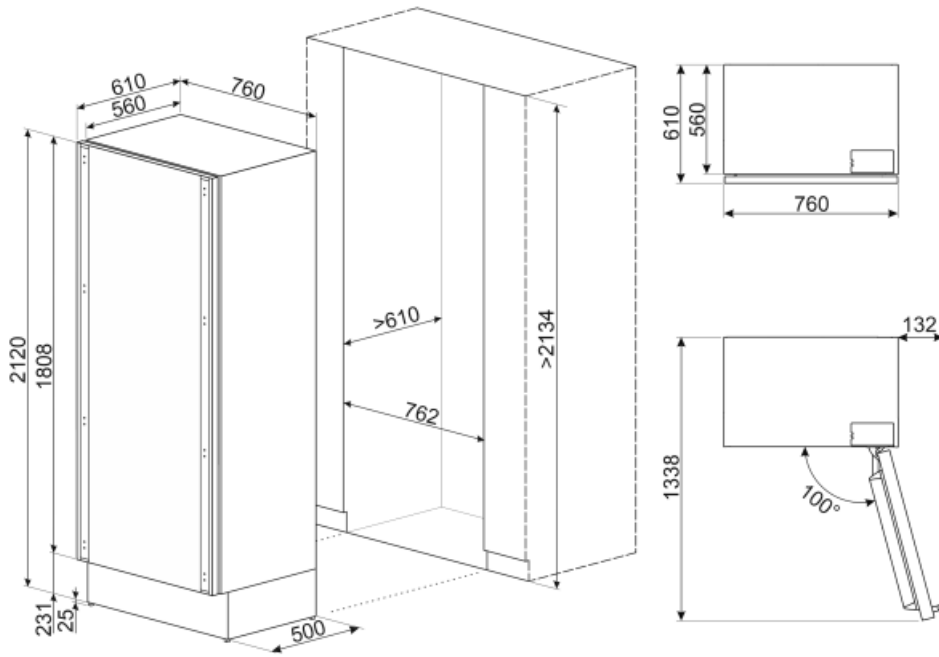
<b>Display functions</b>	Holiday, Fast-cooling, Temperature alarm, Showroom mode, Sabbath
<b>Water network connection</b>	Yes
<b>Power-on light</b>	Yes
<b>Door open alarm</b>	Yes
<b>Temperature Alarm</b>	Yes
<b>Temperature setting type</b>	Electronic
<b>No. of compressors</b>	2
<b>Refrigerant gas type</b>	R600a
<b>Compressor type</b>	Inverter
<b>Refrigerant quantity</b>	3.7 oz
<b>Foam agent</b>	HFO

## Performance / Energy Label NEW

<b>Annual energy consumption</b>	502 KWh/year	<b>Refrigerator compartment</b>	11.83 cu. ft.
<b>Total volume</b>	15.54 cu. ft.	<b>Total volume</b>	16.28 cu. ft.
<b>Freezer volume</b>	3.71 cu. ft.	<b>Climatic class</b>	SN, T

## Electrical Connection

<b>Plug</b>	(B) USA 120V	<b>Frequency (Hz)</b>	60 Hz
<b>Current</b>	15 A	<b>Power cord length</b>	78 3/4 "
<b>Voltage (V)</b>	115 V		



---

## Symbols glossary (TT)

---



The automatic defrost system works by automatically defrosting at regular intervals eliminating the need to defrost altogether.



LED interior lighting: is a more energy efficient and long lasting way of illuminating the interior of the appliance.



Air plus: keeps food fresher for longer.



Power saving mode: The power saving mode allows you to disable the refrigerator and keep the freezer working.



Inverter technology: The evolution of Smeg's driers towards more intelligent and environmentally sustainable models has led to the choice of using Inverter technology with heat pumps, which reduces significantly energy consumption.



Sabbath: This function allows you to cook food during the Sabbath, the Holiday of rest in the Jewish religion, respecting the precepts. The oven works