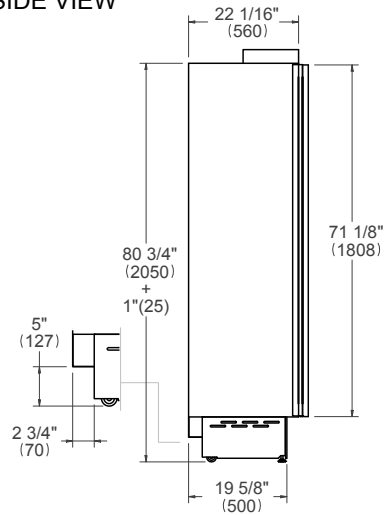
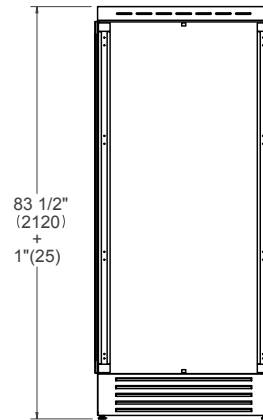


PRODUCT DIMENSIONS

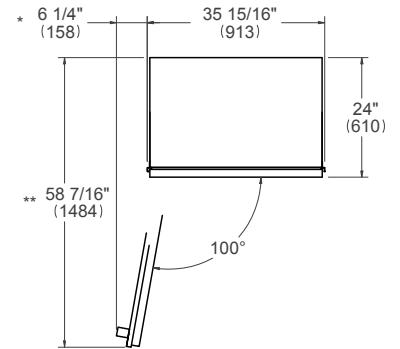
SIDE VIEW



FRONT VIEW



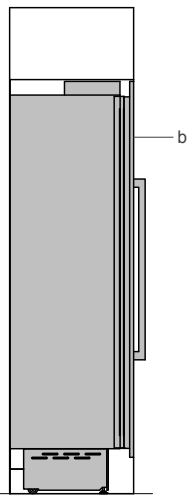
TOP VIEW



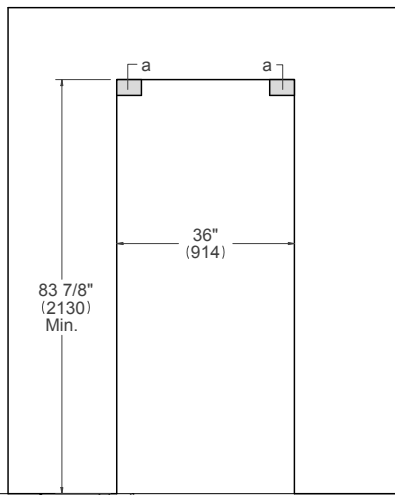
* Maximum Overall Handle Dimension
 ** Width of 3/4" (19mm) Door Panel

CUTOUT DIMENSIONS

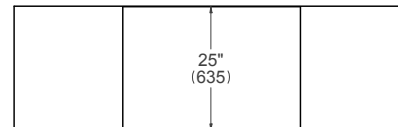
SIDE VIEW



FRONT VIEW

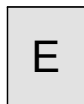


TOP VIEW



- (a) Area to be left clear for the anti-tipping brackets
3 1/2x5" (82x127mm)
- (b) Panel dimensions available on Built-in Food Preservation Design Guide or Installation Manual

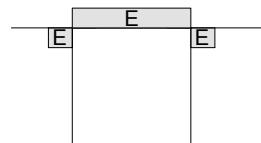
ELECTRICAL CONNECTION



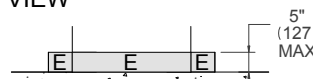
A properly-grounded, horizontally-mounted electrical receptacle should be installed according to this drawing.

Connection(s) placement within the opening may require additional cabinet depth.

TOP VIEW



FRONT VIEW



INSTALLATION REQUIREMENTS

If the appliance(s) is not connected through the side profile trims to secured cabinetry anti-tip brackets must be installed.

A separate circuit breaker servicing only this appliance is recommended.
 For installation of multiple products in combination, refer to the Built-in Food Preservation Design Guide.
 Dimensions in parentheses are millimeters unless otherwise specified.