



Product: Gordon Ramsay by THOR Kitchen 30inch 17.5 Cu Ft French Door Counter Depth Refrigerator With Ice Maker In Stainless Steel

Model Number: RF3017FFD99

FEATURES & BENEFITS

- + Fast Freezing and Fast Cooling:** Quickly freeze and cool your food to maintain optimal freshness and taste.
- + Multi-Flow Air System:** Dual vents on every shelf for even air distribution, ensuring long-lasting food freshness throughout the refrigerator.
- + Inverter Compressor:** Maintains consistent food freshness with quieter, more efficient operation and less wear than traditional compressors.
- + Electronic Touch Controls:** Adjust settings directly on the door for convenience and ease of use
- + Control Panel Lock:** Prevents unintended changes to settings, providing peace of mind and added safety.
- + Door Opening Alarm:** Alerts you if the door is left open, helping to maintain temperature and save energy.
- + Interior LED Lights:** Illuminate your refrigerator interior with bright, energy-efficient lighting.
- + Full-Width Adjustable Shelves:** Customize your storage space with fully adjustable shelves to accommodate items of all sizes.
- + Vacation Mode:** Automatically adjusts temperatures to 43°F for the refrigerator and 5°F for the freezer to save energy while you're away.

TECHNICAL DETAILS

Installation Type	Freestanding
Total Capacity	17.5 cu. ft.
Refrigerator Capacity	12.4 cu. ft.
Freezer Capacity	5.1 cu. ft
Watts	190W
Circuit Breaker Amperage	15A
Volts	115V
Frequency	60Hz
Plug Type	3-Prong Plug
Power Cord Length	94"



WARRANTY: 2 YEARS PARTS AND LABOR





BLACK
RF3017FFD99-BLK



BLUE
RF3017FFD99-BLU



BRONZE
RF3017FFD99-BRZ



ROSE GOLD
RF3017FFD99-RSG



GENERAL PROPERTIES

Number Of Door Bins	6
Number Of Shelves	4
Number Of Freezer Baskets	1
Shelf Material	Glass With Stainless Steel Trim
Lighting	LED
Leveling Legs	Yes

REFRIGERATOR FEATURES

Gallon Bin Storage Design
Child Lock / Energy Saving & Vacation Mode/ Fast Cooling
No Frost Design
2 Glass Adjustable Shelves
Fridge Temperature Range: 32-43°F (0-6°C)

FREEZER FEATURES

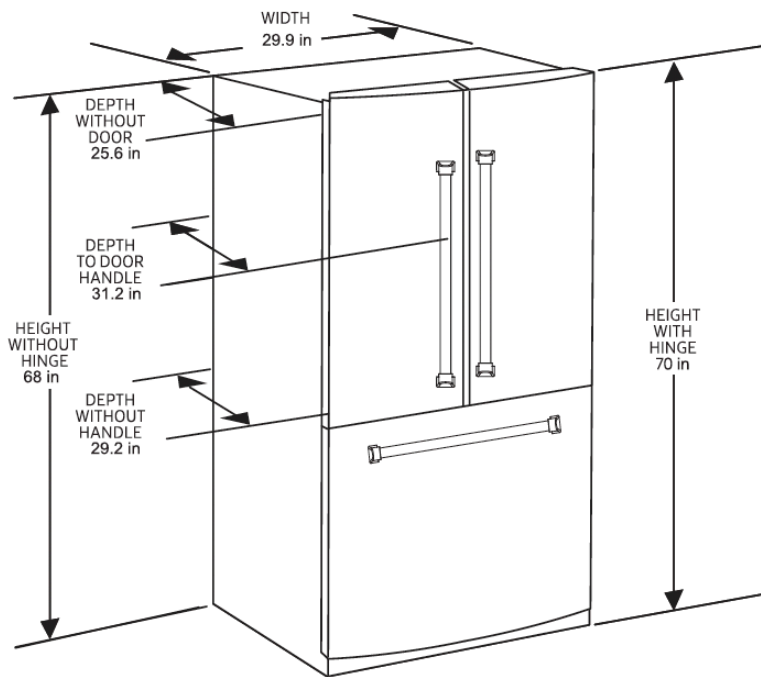
1 Pull-Out Drawer With 2 Full-Width Storage Compartments
Automatic Ice Maker Produces Up To 4 Pounds Of Ice Daily
Fast Freezing
Freezer Temperature Range: -10-5°F (-23~ -15°C)

PRODUCT DIMENSIONS & WEIGHTS

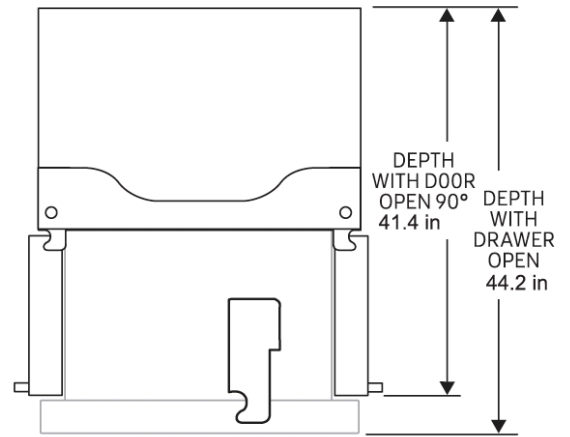
Product Dimensions (WxDxH)	29-7/8" x 31-5/8" x 70"
Product Depth Excluding Handles	29-1/4"
Product Depth Including Handles	31-5/8"
Product Depth Excluding Door	25-5/8"
Product Depth With Door Open 90 Degrees	41-3/8"
Product Height To Top Of Door Hinge	70"
Product Height To Top Of Refrigerator	69"
Cutout Dimensions (WxDxH)	30" x 28" x 72"
Net Weight	189 lbs
Package Dimensions (WxDxH)	32-1/4" x 30-1/2" x 72-5/8"
Package Weight	211 lbs

ACCESSORIES INCLUDED

Water Pipe
Ice Scoop
Ice Storage Box



TOP OF REFRIGERATOR WITH DOOR OPEN 90°



TOP OF REFRIGERATOR WITH DOORS OPEN 150°

