

## INSTALLATION INSTRUCTIONS

### For Sharp Carousel® Built-in Kit Models RK94S27F or RK94S30F

S = STAINLESS

THIS KIT IS UL APPROVED TO ALLOW CERTAIN MICROWAVE OVENS TO BE INSTALLED ABOVE ANY ELECTRIC WALL OVEN. PLEASE SEE THE OPERATION MANUAL REGARDING APPROVED BUILT-IN APPLICATIONS.

#### IMPORTANT:

This Built-in Kit is designed for and approved only for those Sharp Microwave Ovens specifying Built-In Kit RK94S27F or RK94S30F. Refer to Operation Manual for approved models.

#### IMPORTANT NOTES TO THE INSTALLER

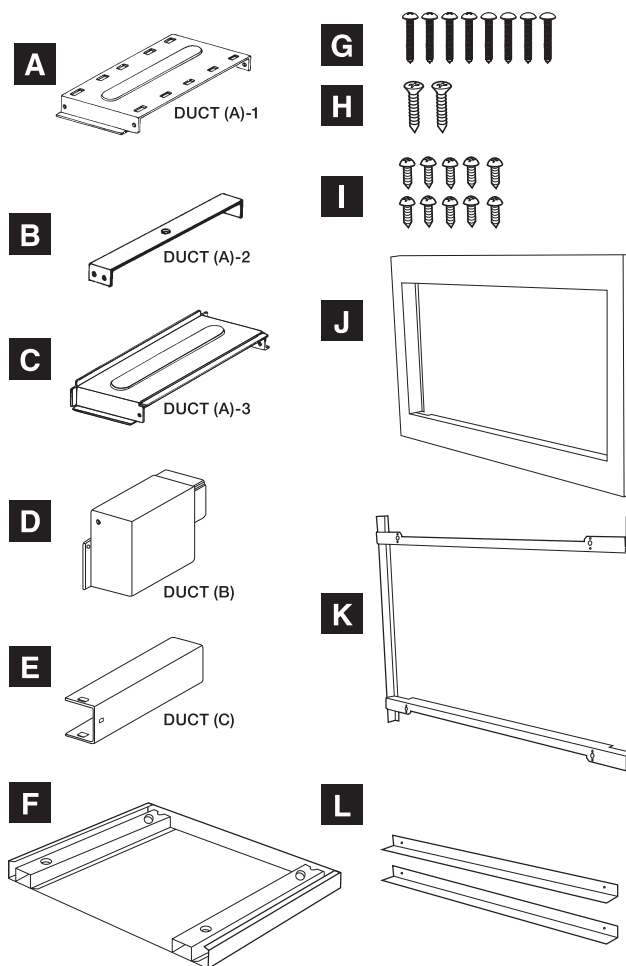
- PLEASE READ THESE INSTRUCTIONS THOROUGHLY BEFORE BEGINNING INSTALLATION.
- Observe all governing codes, ordinances, and safety instructions.
- Be sure to leave these instructions with the consumer.
- Be sure to DISCONNECT THE PLUG of the microwave oven from the electrical outlet before installing the Built-in Kit. Remove the Carousel turntable from the oven cavity.
- Because the kit includes metal parts, due caution should be used in handling and installation to avoid the possibility of injury.

ITEM	PART NAME	QTY
A	DUCT (A)-1: PDUC-0259WRW0	1
B	DUCT (A)-2: PDUC-B127MRP0	1
C	DUCT (A)-3: PDUC-A734WRW0	1
D	DUCT (B): PDUC-0260WRW0	1
E	DUCT (C): PDUC-A274WRW0	1
F	BOTTOM DUCT ASSEMBLY: FDUC-B099MRK1A	1
G	M3.9-16MM PAN HEAD TAPPING SCREW, ZINC: XOPS740P16000	8
H	WOOD SCREW: XTSS740P20000	2
I	CABINET SCREW: XOTS740P12000	10

ITEM	PART NAME	QTY
J	FRONT FRAME RK-94S27F: FDECAB229MRK0 RK-94S30F: FDECAB227MRK0	1
K	BACK FRAME RK-94S27F: FDECAB255MRK0 RK-94S30F: FDECAB226MRK0	1
L	AIR DEFLECTOR RK-94S27F: PREF-B038MRP0 RK-94S30F: PREF-B039MRP0	2

Check list for parts when unpacking.

**NOTE:** (J) FRONT FRAME and (K) BACK FRAME are shipped attached. Snap apart before installation.



# STANDARD INSTALLATION INSTRUCTIONS

## STEP 1 - CABINET OR WALL OPENING

Provide an opening in the wall or cabinet as indicated in Figure 1. The depth should be a minimum of 20 1/8" (511.2 mm). If the Depth (E) dimension is greater than 21" (533.4 mm), the outlet location may be in any area on the rear wall. The floor of the opening should be constructed of plywood strong enough to support the weight of the oven (approximately 100 lbs/45 kg) and should be level for proper operation of the oven.

**NOTE:** While the proper function of the oven does not require that the opening be enclosed (with sides, ceiling and rear partition), this may be required by local code, and it is suggested that the local code be checked for any such requirement.

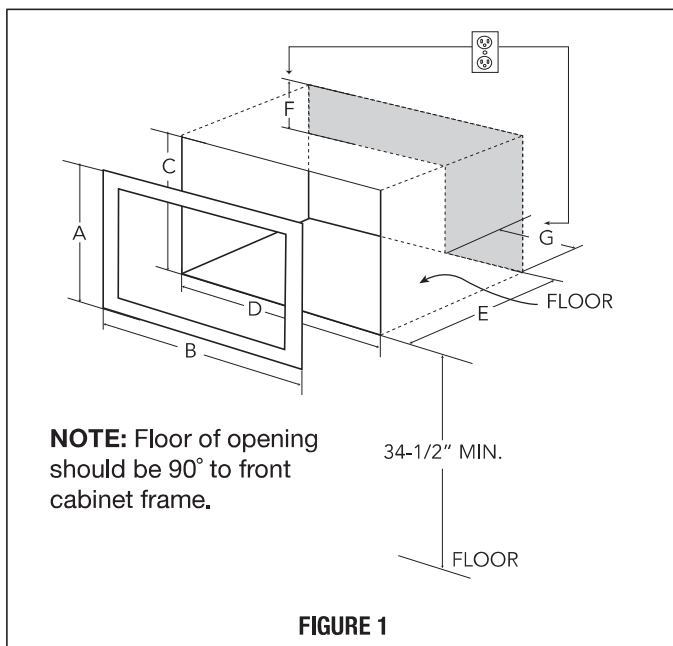
The opening in the wall or cabinet must be within the following dimensions, centered horizontal to the cabinet.

	RK94S27F	RK94S30F
A	20" (508 mm)	20" (508 mm)
B	26 7/8" (682.6 mm)	29 7/8" (758.8 mm)
C	18 1/2" (470 mm)	18 1/2" (470 mm)
D	25 1/4" (641.3 mm)	25 1/4" (641.3 mm)
E	Min. 20 1/8" (511.2 mm)	Min. 20 1/8" (511.2 mm)
F	5" (127 mm)	5" (127 mm)
G	10" (254 mm)	10" (254 mm)

Outlet should **NOT** be in the shaded area as indicated on Figure 1.

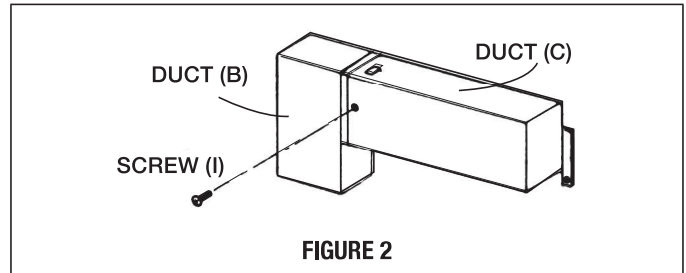
**NOTE:**

- If the dimension of DEPTH (E) is more than 21" (533.4 mm), the outlet location may be any area on the rear wall.

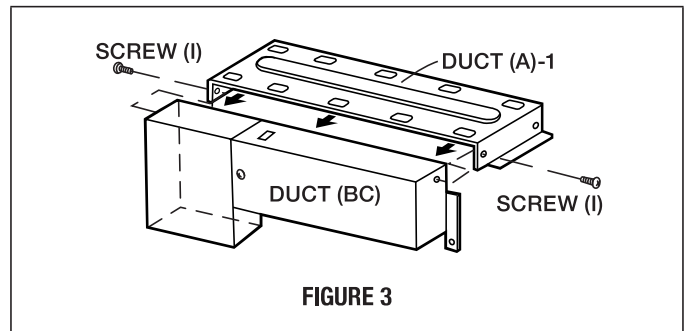


## STEP 2 - EXHAUST DUCT ASSEMBLY INSTALLATION

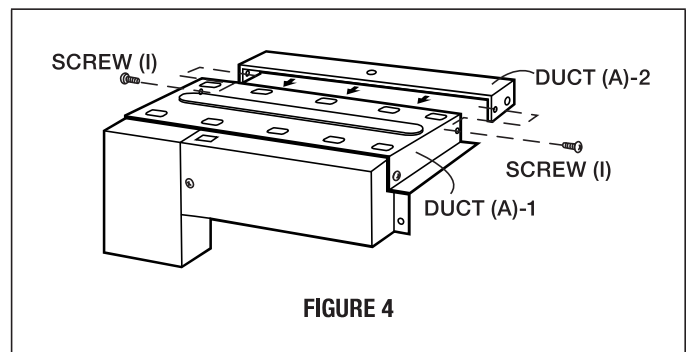
- A. Insert the edge of DUCT (B) into the hold lip of DUCT (C). Secure together by using a SCREW (I) provided in the kit. See Figure 2.



- B. Position DUCT (A)-1 on the top of the oven inserting edge of DUCT (BC) assembly into hole lip of DUCT (A)-1. Tighten 2 SCREWS (I), securing DUCT (A)-1 to DUCT (BC) assembly. See Figure 3.



- C. Position DUCT (A)-2 on the top of the oven and insert it into the hold lip of DUCT (A)-1. Secure DUCT (A)-2 to DUCT (A)-1 using 2 SCREWS (I) provided. See Figure 4.



# STANDARD INSTALLATION INSTRUCTIONS

D. Position DUCT (A)-3 on top of the oven and insert it into DUCT (A)-2. Secure DUCT (A)-3 using 3 SCREWS (I) provided. See Figure 5.

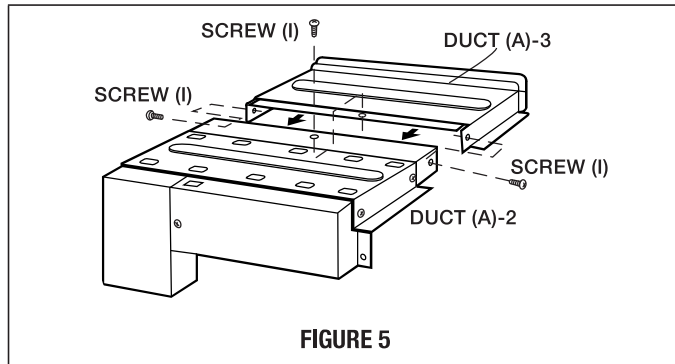


FIGURE 5

E. Remove SCREWS from the upper right and left corners at the rear of the oven. Place duct assembly on the top of the unit as shown and secure the duct assembly to the oven using the 2 SCREWS just removed from the oven. See Figure 5A.

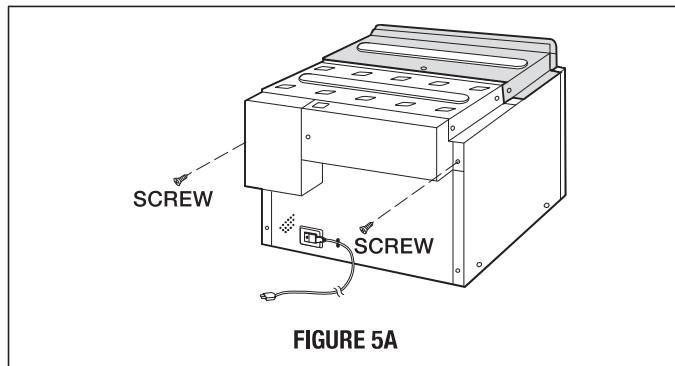
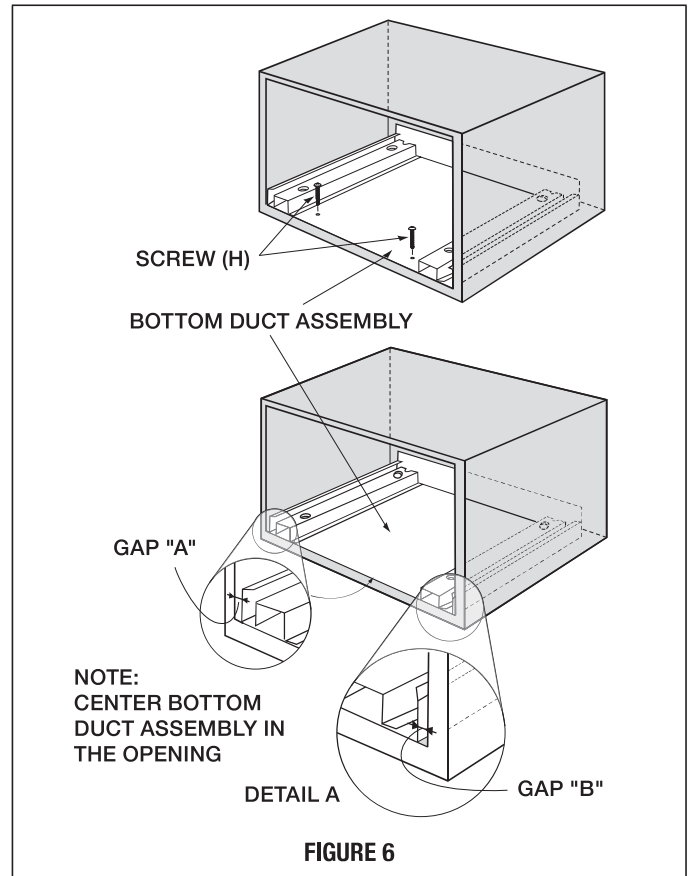


FIGURE 5A

## STEP 3 - SURFACE INSTALLATION

A. BOTTOM DUCT ASSEMBLY: Place the Bottom duct in the center of the opening so that gap "A" is equal to gap "B". When the BOTTOM DUCT ASSEMBLY is positioned properly, the front edge of the duct will be flush with the front of the cabinet. Secure with 2 SCREWS (H) See Figure 6.



B. CABINET INSTALLATION: Place the oven adjacent to the wall or cabinet opening. Plug the power cord into the electrical outlet. Carefully guide the assembled oven into the prepared opening. Slide the oven on the BOTTOM DUCT ASSEMBLY. See Figure 7.

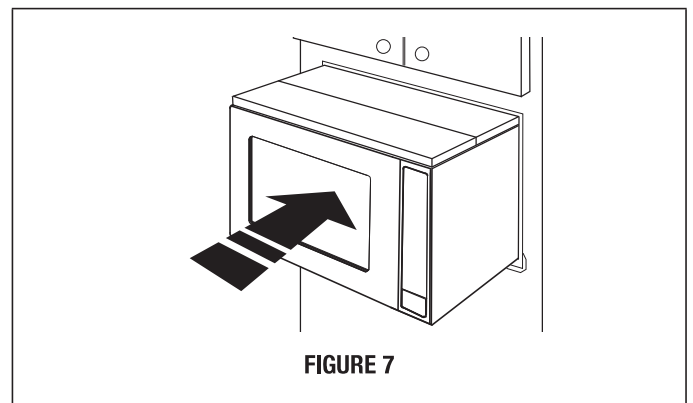
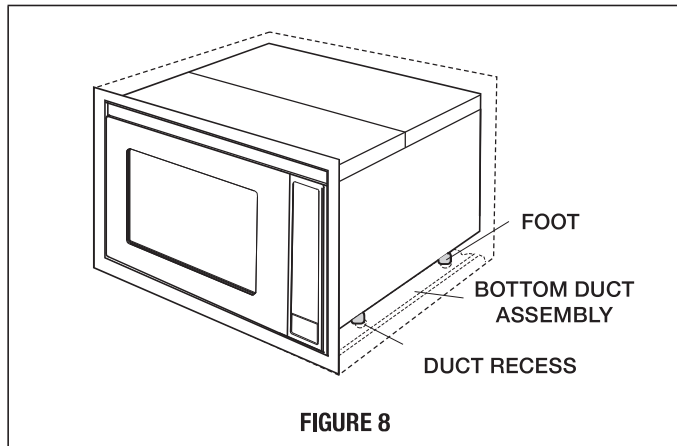


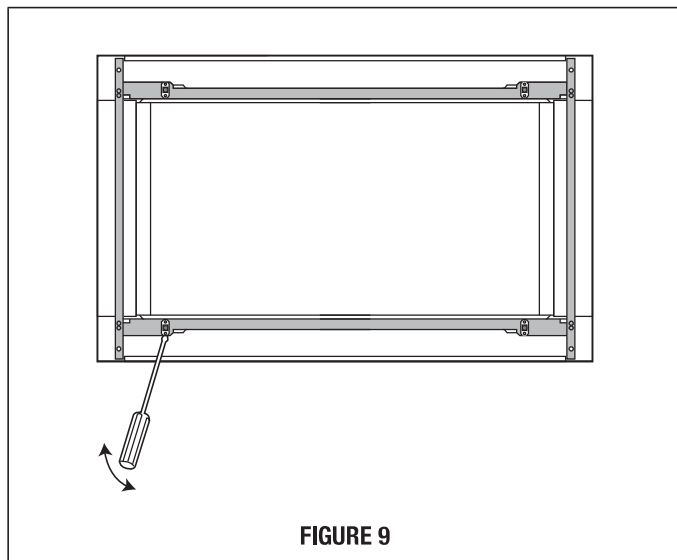
FIGURE 7

# STANDARD INSTALLATION INSTRUCTIONS

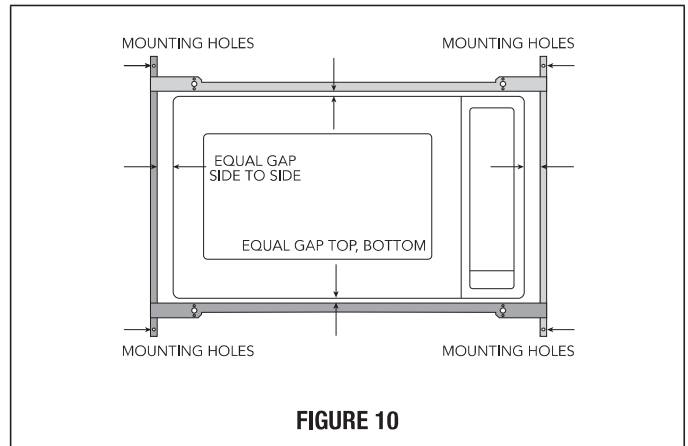
C. CABINET INSTALLATION: Avoid pinching the cord between the oven and the wall. Adjust the position of the oven so that the feet of the oven are fitted into the holes of the BOTTOM DUCT ASSEMBLY. See Figure 8.



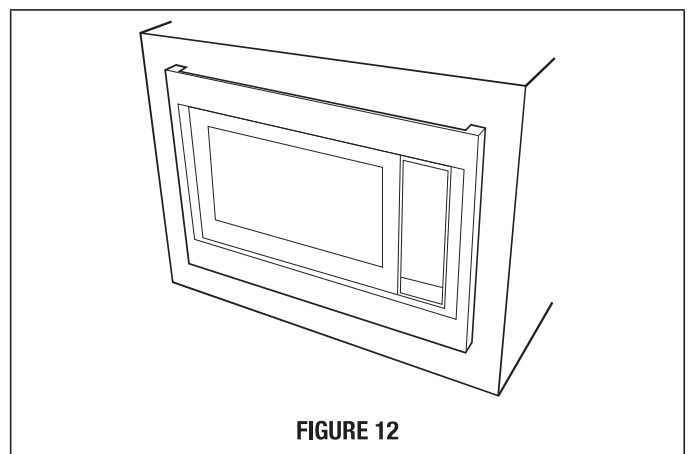
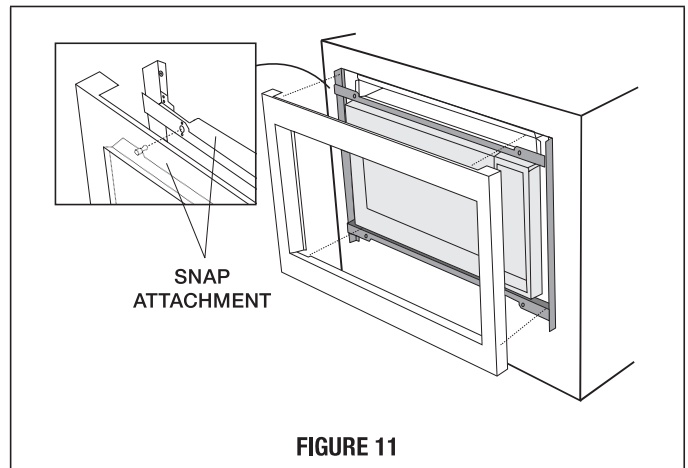
D. DISASSEMBLY: The FRONT FRAME and BACK FRAME come pre-assembled with ball studs engaged in the receivers. Separate the FRONT FRAME from the BACK FRAME. Place the assembly facedown on a protected surface. At the location of the ball stud, insert a flathead screwdriver between the FRONT FRAME and the BACK FRAME and gently pry up to disengage the ball stud from the receiver. Repeat for each corner. See Figure 9.



E. BACK FRAME INSTALLATION: Position BACK FRAME equal space top to bottom, side to side. Mark for 4 holes, center punch and pre-drill with 1/16" drill bit. Secure frame with 4 SCREWS (G). See Figure 10.



F. FRONT FRAME INSTALLATION: Place the FRONT FRAME onto the BACK FRAME and align ball studs and receivers. Secure the FRONT FRAME to the BACK FRAME by firmly pushing the FRONT FRAME onto the BACK FRAME, engaging the 4 snap attachments. See Figures 11-12.



# FLUSH INSTALLATION INSTRUCTIONS

## STEP 1 - CABINET OR WALL OPENING

The opening in the wall or cabinet must be within the following dimensions:

CUTOUT	RK94S27F	RK94S30F
A	25 1/8" (638.2 mm)	25 1/8" (638.2 mm)
B	27 1/8" (689 mm)	30 1/8" (765.2 mm)
C	22 7/16" (569.9 mm)	22 7/16" (569.9 mm)
D	1" (25.4 mm)	2 1/2" (63.5 mm)
E	2 1/8" (54 mm)	2 1/8" (54 mm)
F	1 1/2" (38.8 mm)	1 1/2" (38.8 mm)
G	5" (127 mm)	5" (127 mm)

Outlet should **NOT** be in the shaded area H as indicated in Figure 1.

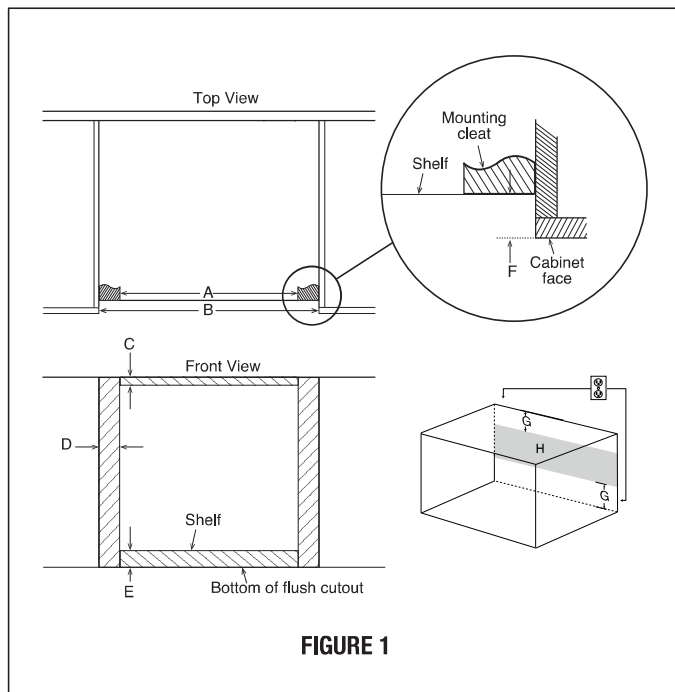


FIGURE 1

### NOTE:

Dimension C above will result in 1 1/4" (31.8 mm) spaces above and below the trim to allow for necessary intake and exhaust air flow to ensure appliance does not overheat. **Do not reduce this spacing** as doing so will void the warranty for any issues resulting from a lack of airflow.

### NOTE:

- Please allow minimum 3" (76 mm) wood gap between the microwave oven cutout and the appliance cutout below the microwave oven. See Figure 2.

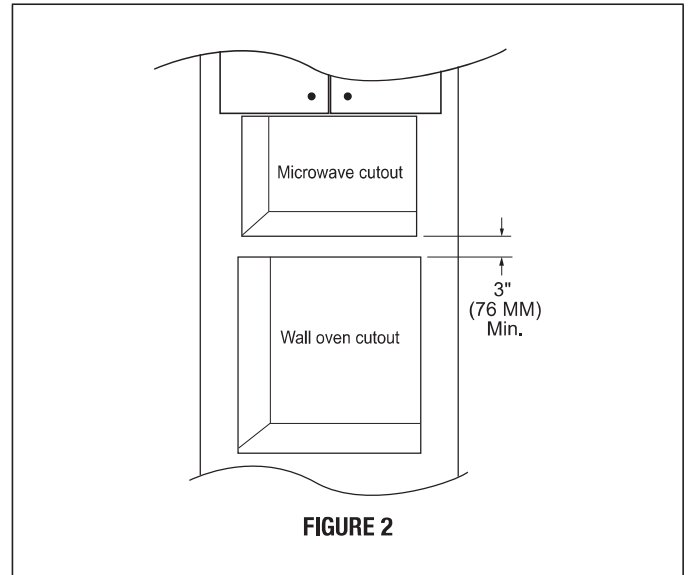


FIGURE 2

- If the dimension of DEPTH (C) is more than 21" (533.4 mm), the outlet location may be any area on the rear wall.
- The floor of the opening should be constructed of plywood strong enough to support the weight of the oven and floor load (approximately 100 pounds/45 kg). The floor should be level and 90° with the face of the cabinet for proper installation and operation of the oven. Be sure to check the local building code as it may require that the opening be enclosed with sides, ceiling and rear partition. The proper functioning of the oven does not require the enclosure.

## STEP 2 - EXHAUST DUCT ASSEMBLY INSTALLATION

- Insert the edge of DUCT (B) into the hold lip of DUCT (C). Secure together by using a SCREW (I) provided in the kit. See Figure 3.

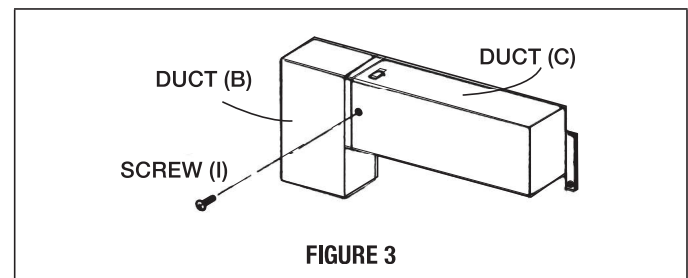
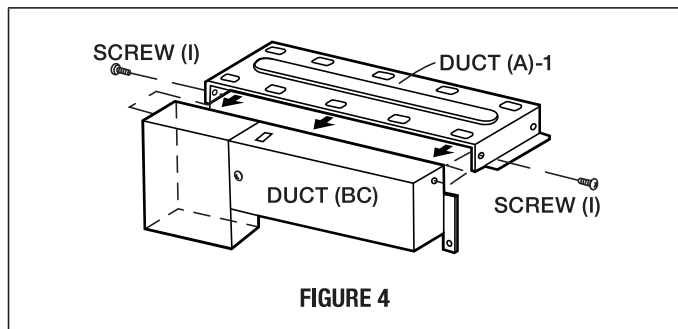


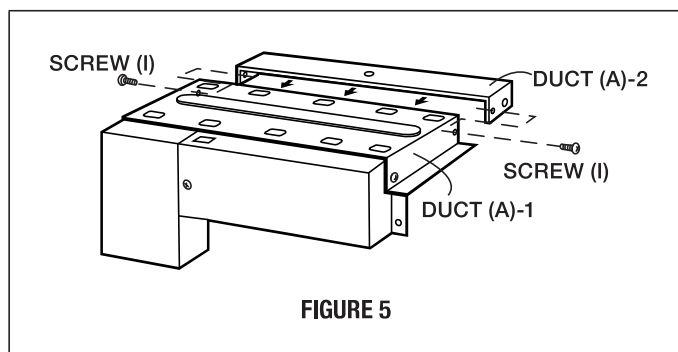
FIGURE 3

# FLUSH INSTALLATION INSTRUCTIONS

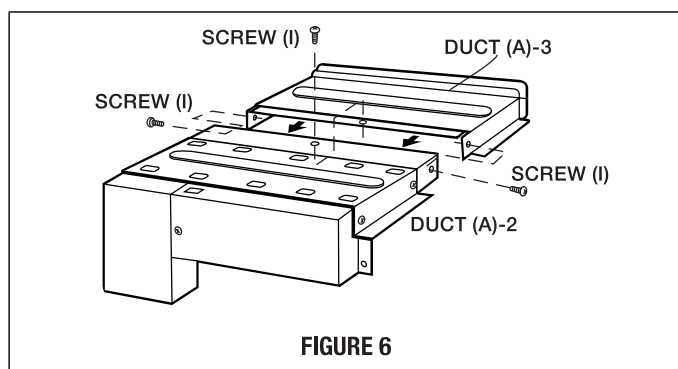
B. Position DUCT (A)-1 on the top of the oven inserting edge of DUCT (BC) assembly into hole lip of DUCT (A)-1. Tighten 2 SCREWS (I), securing DUCT (A)-1 to DUCT (BC) assembly. See Figure 4.



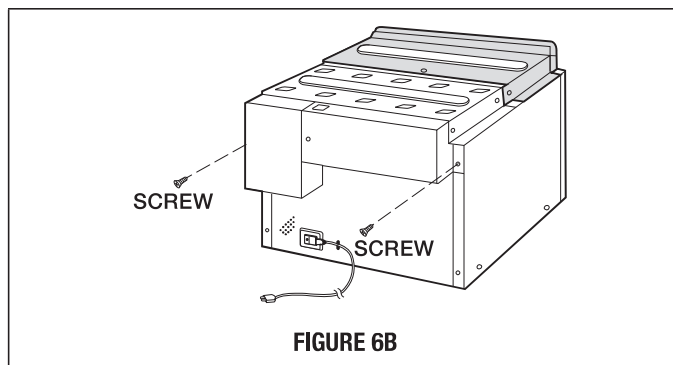
C. Position DUCT (A)-2 on the top of the oven and insert it into the hold lip of DUCT (A)-1. Secure DUCT (A)-2 to DUCT (A)-1 using 2 SCREWS (I) provided. See Figure 5.



D. Position DUCT (A)-3 on top of the oven and insert it into DUCT (A)-2. Secure DUCT (A)-3 using 3 SCREWS (I) provided. See Figure 6.



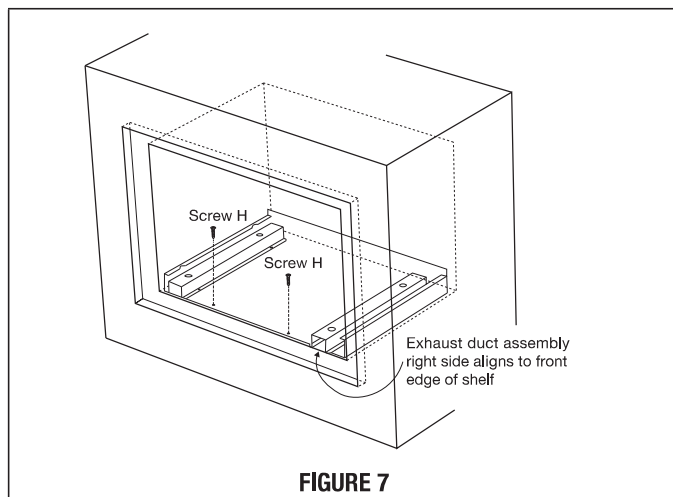
E. Remove SCREWS from the upper right and left corners at the rear of the oven. Place duct assembly on the top of the unit as shown and secure the duct assembly to the oven using the 2 SCREWS just removed from the oven. See Figure 6B.



## STEP 3 - EXHAUST DUCT ASSEMBLY INSTALLATION

A. Place the Exhaust Duct Assembly in the center of the opening. Align the front edge of the duct with the front of the cabinet. Align the front edge of the right side of the duct with the front of the shelf. See Figure 7.

B. Secure the Exhaust Duct Assembly with 2 SCREWS (H). See Figure 7.



# FLUSH INSTALLATION INSTRUCTIONS

## STEP 4 - FRAME INSTALLATION

- A. Place the oven adjacent to the wall or cabinet opening. Plug the power cord into the electrical outlet.
- B. Carefully guide the assembled oven into the prepared opening. Slide the oven onto the Exhaust Duct Assembly. See Figure 8. Avoid pinching the cord between the oven and the wall. Adjust the position of the oven so that the feet of the oven are fitted into the recesses of the Exhaust Duct Assembly and the door opens properly. See Figure 9.

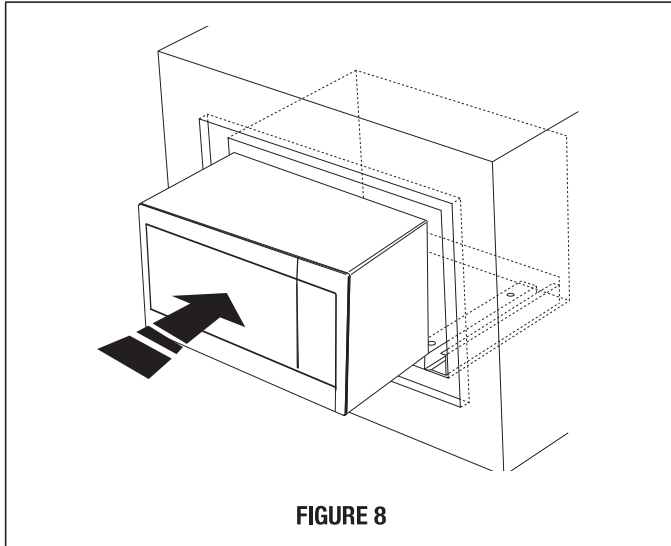


FIGURE 8

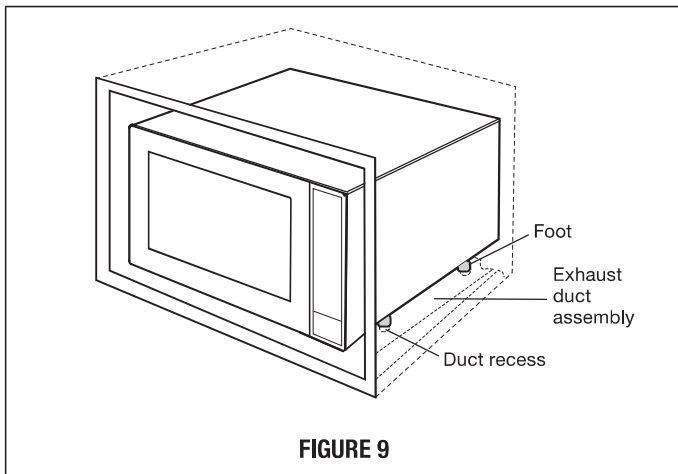


FIGURE 9

- C. **DISASSEMBLY:** The FRONT FRAME and BACK FRAME come pre-assembled with ball studs engaged in the receivers. Separate the FRONT FRAME from the BACK FRAME. Place the assembly facedown onto a protected surface. At the location of the ball stud, insert a flathead screwdriver between the FRONT FRAME and the BACK FRAME and gently pry up to disengage the ball stud from the receiver. Repeat for each corner. See Figure 10.

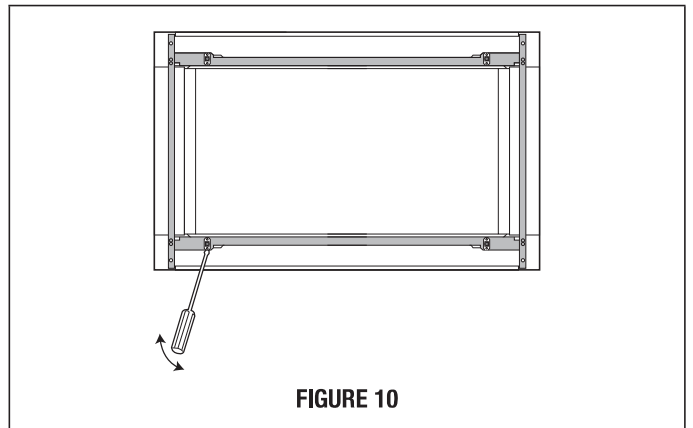


FIGURE 10

- D. **BACK FRAME INSTALLATION:** Position BACK FRAME equal space top to bottom, side to side. Mark for 4 holes on the installed wood cleats, center punch and pre-drill with 1/16" drill bit. Secure frame with 4 SCREWS (G). See Figure 11.

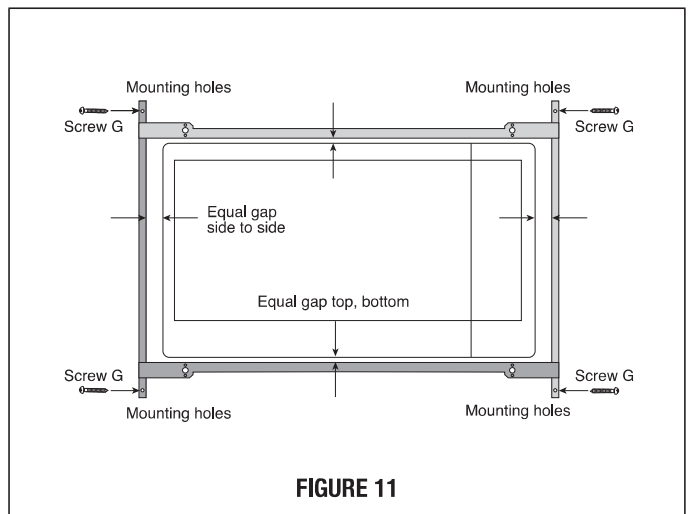
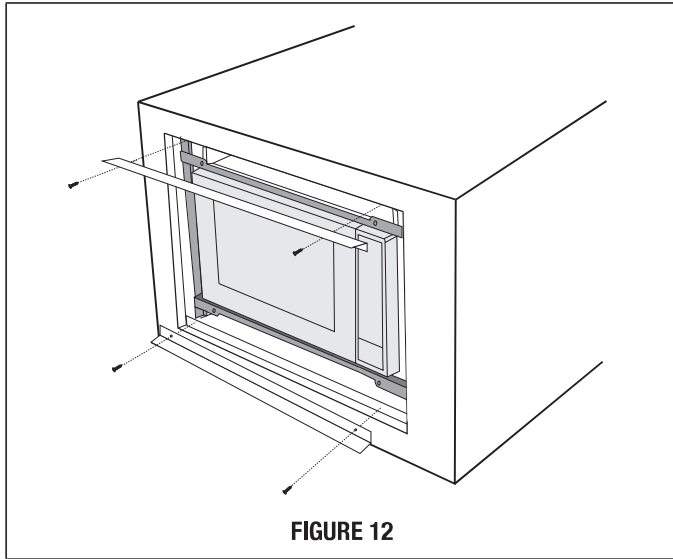
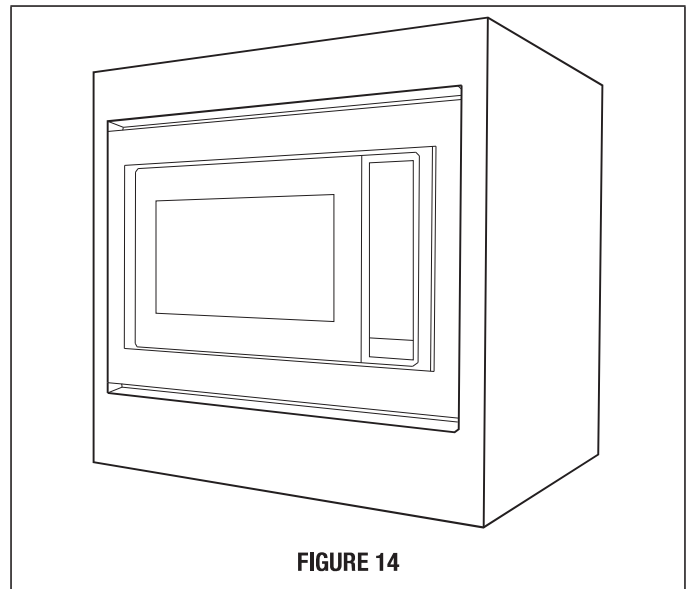
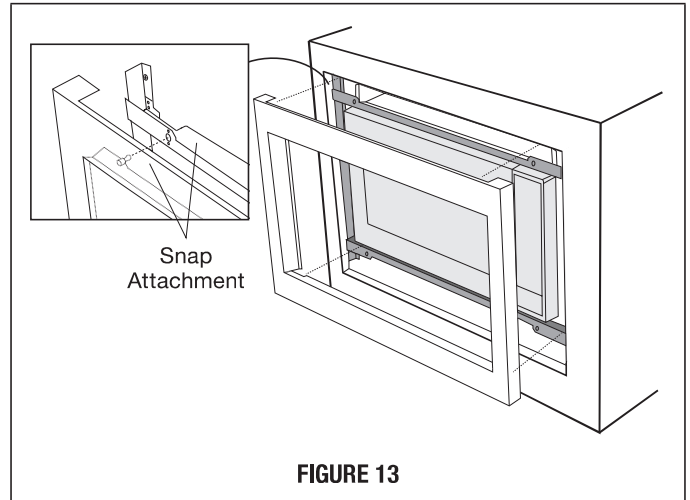


FIGURE 11

E. Install Air Deflectors top and bottom. Center (left and right) the Air Deflectors above and below the installed BACK FRAME. Secure Air Deflectors with 4 SCREWS (G). See Figure 12. Mark holes and pre-drill the wood cleats with 1/16" drill bit.



F. FRONT FRAME INSTALLATION: Place the FRONT FRAME onto the BACK FRAME and align ball studs and receivers. Secure the FRONT FRAME to the BACK FRAME by firmly pushing the FRONT FRAME onto the BACK FRAME, engaging the 4 snap attachments. See Figures 13-14.



# SHARP®

SHARP ELECTRONICS CORPORATION  
100 Paragon Drive • Montvale, New Jersey 07645 • U.S.A.

SHARP ELECTRONICS OF CANADA LTD.  
335 Britannia Road East • Mississauga, Ontario L4Z 1W9 • Canada

For any other assistance or information about this kit,  
in USA please call Sharp's Customer Assistance Center at  
**1-800-BE-SHARP (1-800-237-4277)**  
In Canada, call 905-568-7140