



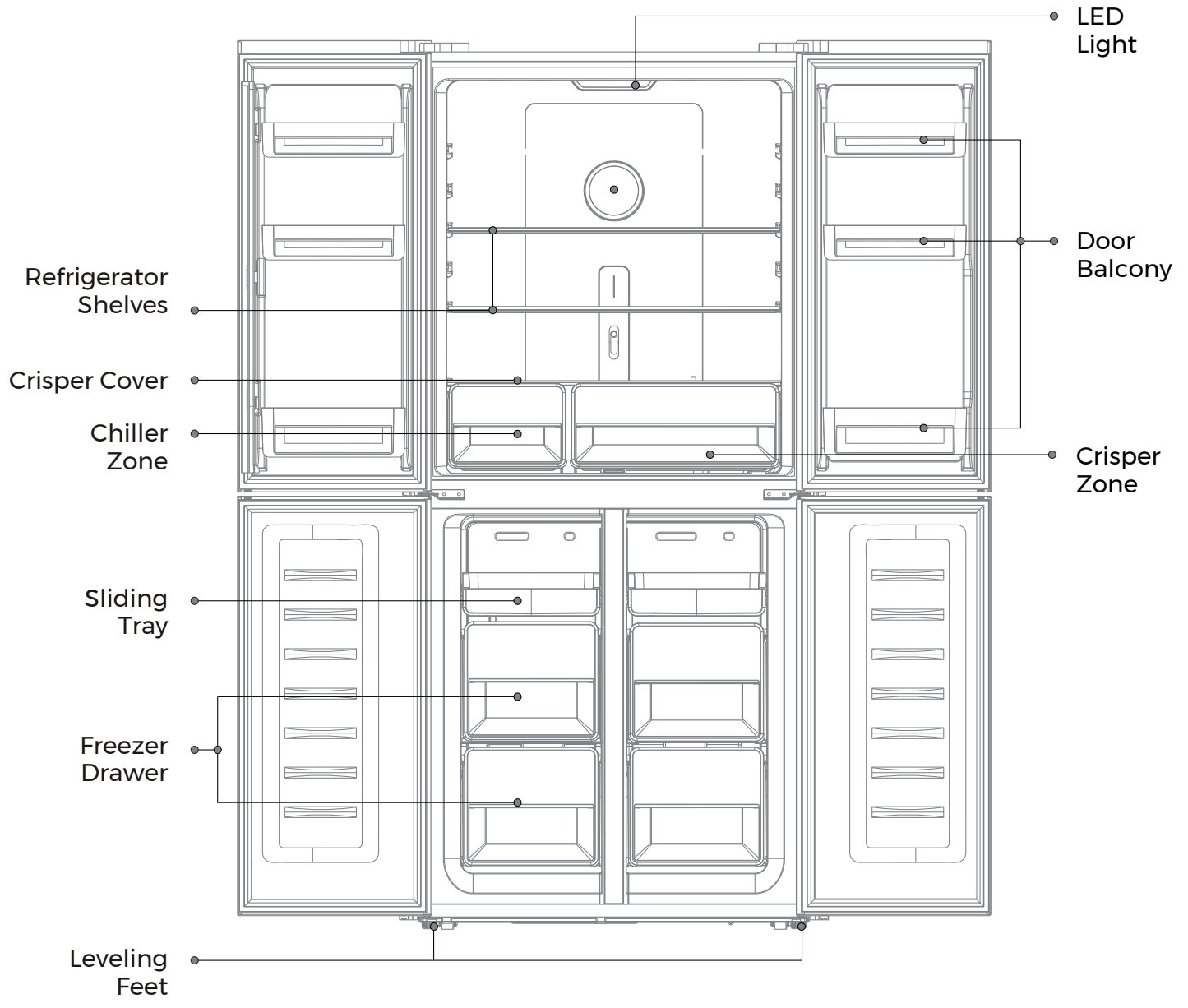
14.9 CU FT Multi Door Refrigerator



USER MANUAL - Model: RM-4152

www.impecca.com

Unit Overview



Important Safety & Precautions

What you need to know about Safety Instructions:

Warnings and Important Safety Instructions in this manual DO NOT cover all possible conditions and situations that may occur. It is your responsibility to use common sense, caution and care when installing, maintaining and operating this appliance.

Important Safety Symbols & Precaution Warnings:

WARNING

This symbol indicates that hazards or unsafe practices may cause serious personal injury or death. To reduce the risk of fire, explosion, electric shock, or personal injury when using your appliance, these basic safety precautions MUST be followed. These warnings are to prevent injury to you and to others, please follow them explicitly. After reading this section, keep it in a safe place for future reference.

State of California Proposition 65 Warnings:

WARNING

The California Safe Drinking Water and Toxic Enforcement Act requires the Governor of California to publish a list of substances known to the State of California to cause cancer, birth defects, or other reproductive harm, and requires the business to warn of potential exposure to such substances. This product contains a chemical known to the State of California to cause cancer, birth defects, or other reproductive harm. This appliance can cause low-level exposure to some of the substances listed, including benzene, formaldehyde, and carbon monoxide.

WARNING

Risk of fire or electric shock do not open.

To reduce the risk of fire or electric shock, do not remove cover (or back).

No-user- serviceable parts inside.
Repair should be done by authorized service personnel only.

Important Safety & Precautions

WARNING

To reduce the risk of fire, electric shock, burns or injury to people when using the refrigerator, follow basic precautions, including the following:

- Read all instructions before using this appliance.
- Plug into a grounded 3 prong outlet.
- DO NOT remove ground prong.
- DO NOT use an adapter.
- DO NOT use an extension cord.
- Disconnect power before servicing.
- Replace all parts and panels before operating.
- Remove doors from your old refrigerator.
- Use nonflammable cleaner.
- Keep flammable materials and vapors, such as gasoline away from refrigerator.
- Use two or more people to move and install refrigerator.
- DO NOT store explosive substances such as aerosol cans with a flammable propellant in this appliance.
- The refrigerant isobutane (R600a) is contained within the refrigerant circuit of the appliance, a natural gas with a high level of environmental compatibility, which is nevertheless flammable.

- During transportation and installation of the appliance, be certain that none of the components of the refrigeration circuit become damaged.
 1. Avoid open flames and sources of ignition.
 2. Thoroughly ventilate the room in which the appliance is situated.
- It is dangerous to alter the specifications or modify this product in any way. Any damage to the cord may cause a short circuit, fire and/or electric shock.
- This appliance is intended to be used in household and similar applications such as:
 1. Staff kitchen areas in shops, offices and other working environments.
 2. Clients in hotels, motels and other residential type environments.
 3. Catering and similar non-retail applications.

WARNING

Keep ventilation openings, in the appliance enclosure or in the built-in structure clear of obstruction(s).

WARNING

Do not use mechanical devices or other means to accelerate the defrosting process, other than those recommended by the manufacturer.

WARNING

Do not damage the refrigerant circuit.

WARNING

Any electrical components (plug, power cord, compressor, etc) must be replaced by a certified service agent or qualified service technician.

WARNING

DANGER: Never allow children to play with, operate, or crawl inside the refrigerator.

- Risk of child entrapment. Before you throw away your old refrigerator or freezer:
 1. Take off the doors
 2. Leave the shelves in place so that children may not easily climb inside
- The appliance has to be unplugged before carrying out user maintenance on the appliance.
- This appliance can be used by children age 8-years and above and individuals with reduced physical sensory or mental capabilities or lack of experience and knowledge if they have been given supervision or instruction concerning use of the appliance in a safe way and understand the hazards involved. Children should not play with the appliance. Cleaning and maintenance should not be made by children without supervision.
- If a component part is damaged, it must be replaced by the manufacturer, an authorized service technician or qualified person in order to avoid hazard.

- Dispose of refrigerator in accordance with Federal and Local regulations. Refrigerants must be evacuated by a licensed, EPA certified refrigerant technician in accordance with established procedures as the unit contains flammable blowing gas and refrigerant.
- All refrigerator products contain, refrigerants, which under the guidelines of Federal law must be removed before disposal. It is the consumer's responsibility to comply with Federal and local regulations when disposing of this product.
- DO NOT store or use gasoline or any inflammable liquors and liquids inside or in the vicinity of refrigerator.
- DO NOT use an extension cord with this appliance. If the power cord is too short, have a qualified electrician install an outlet near the appliance. Use of an extension cord can negatively affect the unit's performance.

WARNING

Do not use other electrical appliances (such as ice cream makers) inside of refrigerating appliances, unless they are approved for this purpose by the manufacturer.

WARNING

It is hazardous for anyone other than authorized service personnel to carry out service or repairs involving the removal of covers.

WARNING

To avoid the risk of an electrical shock do not attempt repairs yourself.

Installation Instructions

WARNING

Critical Installation Warnings:

The installation of this appliance MUST be performed by a qualified technician or service company.

Failing to have a qualified technician or service company install the refrigerator may result in electric shock, fire, an explosion, problems with the product or injury.

Before Using Your Refrigerator:

- Remove all of the exterior and interior packaging.
- Before connecting the refrigerator to the power source, let it stand upright for approximately 4-hours. This will reduce the possibility of a malfunction in the cooling system from improper handling during transportation.
- Clean the interior surface using lukewarm water and a soft cloth.

Installing Your Refrigerator:

- Place your refrigerator on a floor that is strong enough to support the refrigerator when it is fully loaded.
- We recommend you allow 2-inches of space between the back of the refrigerator for proper air ventilation. Adjust the feet to keep the refrigerator level.
- Locate the refrigerator away from direct sunlight and sources of heat. Direct sunlight may affect the coating and heat sources may increase electrical consumption.
- Avoid locating the refrigerator in moist areas.
- Plug refrigerator into a dedicated, properly installed-grounded wall outlet. DO NOT under any circumstances cut or remove the third (ground) prong from the power cord. Any questions concerning power and/or grounding should be directed toward a certified electrician or an authorized service center.
- After plugging in the appliance into a wall outlet, turn the unit on and allow the unit to cool down for 2-3 hours before placing food in the refrigerator or freezer compartment.

 **WARNING**

Electrical Connection & Requirements:

Improper use of the grounded plug can result in the risk of electrical shock. If the power cord is damaged, have it replaced by an authorized service center.

- This refrigerator should be properly grounded for your safety. The power cord of this refrigerator is equipped with a three-prong plug which mates with standard three-prong wall outlets to minimize the possibility of electrical shock.
- DO NOT, under any circumstances, cut or remove the third ground prong from the power cord supplied. This refrigerator requires a standard 115-Volt AC / 60 HZ electrical outlet with three-prong ground.
- The cord should be secured behind the refrigerator and not left exposed or dangling to prevent accidental injury.
- Never unplug the refrigerator by pulling the power cord. Always grip the plug firmly and pull straight out from the receptacle.
- DO NOT use an extension cord with this appliance. If the power cord is too short, have a qualified electrician or service technician install an outlet near the appliance. Use of an extension cord can negatively affect the performance of the unit.
- All servicing should be referred to a qualified technician, so as to minimize the risk of possible ignition due to incorrect parts or improper service.

 **WARNING** 

Electrical Shock Hazard

Plug into a grounded 3 prong outlet.

Do not remove ground prong.

Do not use an adapter.

Do not use an extension cord.

Failure to follow these instructions can result in death, fire or electrical shock.

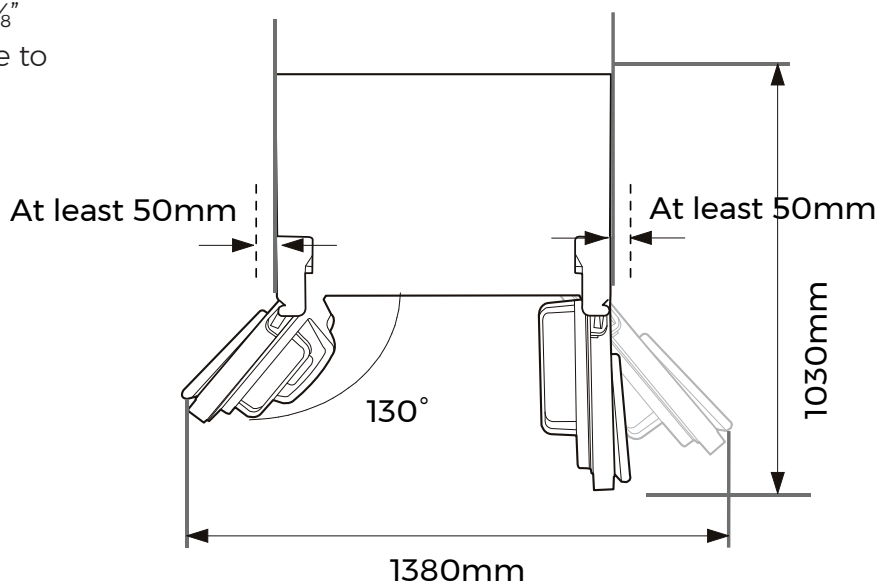
Installation Instructions

Location Requirements:

IMPORTANT: This refrigerator is designed for indoor, household use, not commercial.

To ensure proper ventilation for your refrigerator, allow $\frac{1}{2}$ " (1.25 cm) of space on each side and between the top of the refrigerator and overhead cabinets. Allow 2" (5 cm) of space behind the refrigerator. If your refrigerator has an ice maker, allow extra space at the back for the water line connections. When installing your refrigerator next to a fixed wall, leave a $\frac{3}{8}$ " (8 cm) minimum space on the hinge side to allow the door to swing open.

NOTE: This refrigerator is intended for use in a location where the temperature ranges from a minimum of 55°F (13°C) to a maximum of 110°F (43°C). The preferred room temperature range for optimum performance, which reduces electricity usage and provides superior cooling, is between 60°F (15°C) and 90°F (32°C). It is recommended that you do not install the refrigerator near a heat source, such as an oven or radiator.



WARNING



Explosion Hazard

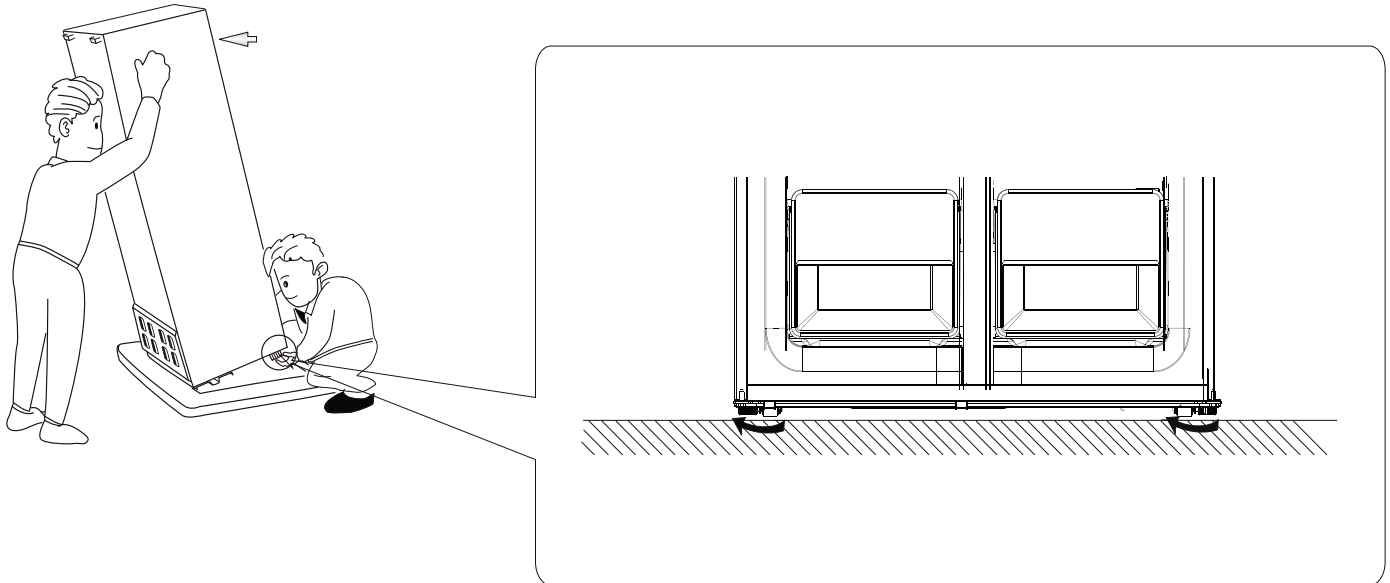
Use nonflammable cleaner.

Keep flammable materials and vapors, such as gasoline, away from refrigerator.

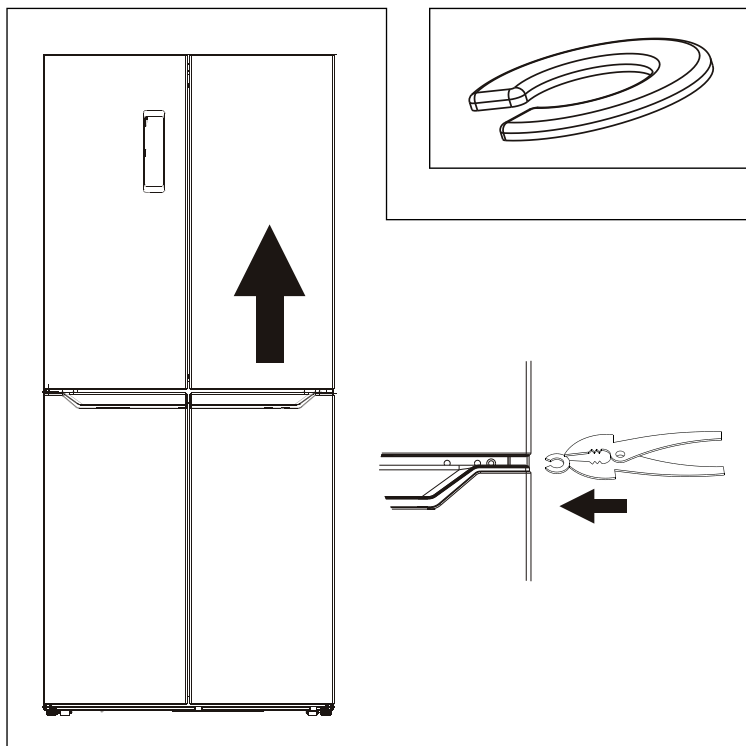
Failure to do so can result in death, explosion or fire.

Leveling and Anchoring the Refrigerator:

- You can easily level and anchor your refrigerator by adjusting the feet on the unit.
- To heighten the feet, rotate them clockwise, by hand.
- To lower the feet, rotate them counterclockwise, by hand.



Leveling Refrigerator Doors:

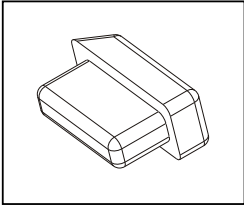


- If your refrigerator doors become misaligned you can quickly and easily adjust them. **Materials Required:** 3 C-Type Washers
- Ensure the refrigerator is unplugged and empty.
- Prior to alignment of refrigerator doors, check to make sure the refrigerator is level.
- If one of the upper two refrigerator doors is not in line, slightly lift the lower door and insert one of the c-type washers between the bottom of the door the middle hinge. If you need assistance, please refer to the diagram below.

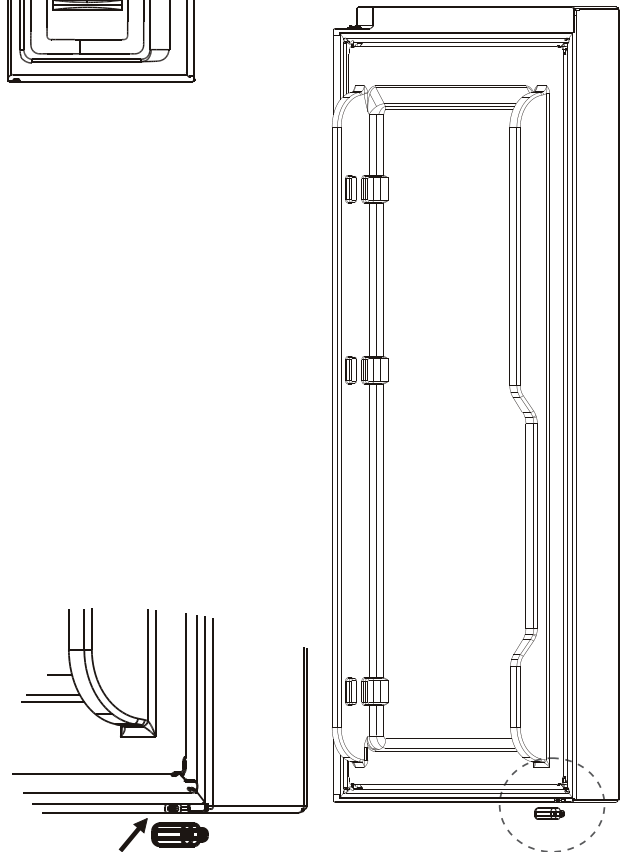
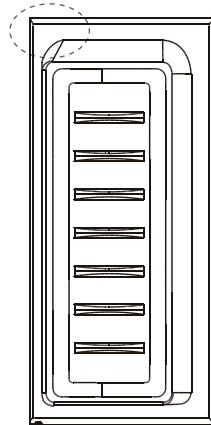
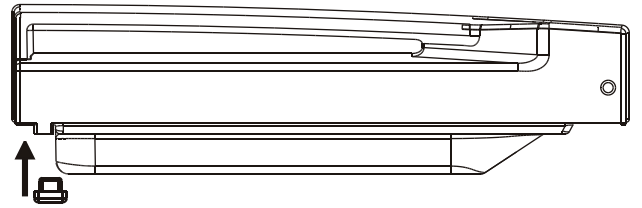
Installation Instructions

Rubber Door Blocks:

- Each door contains one rubber block that functions as a spring to reduce the impact of the door as it closes.



- DO NOT pull on the rubber blocks.
- If you are missing a rubber block, please replace it with another one that comes inside your accessory bag. If you need assistance, please refer to the diagram below.



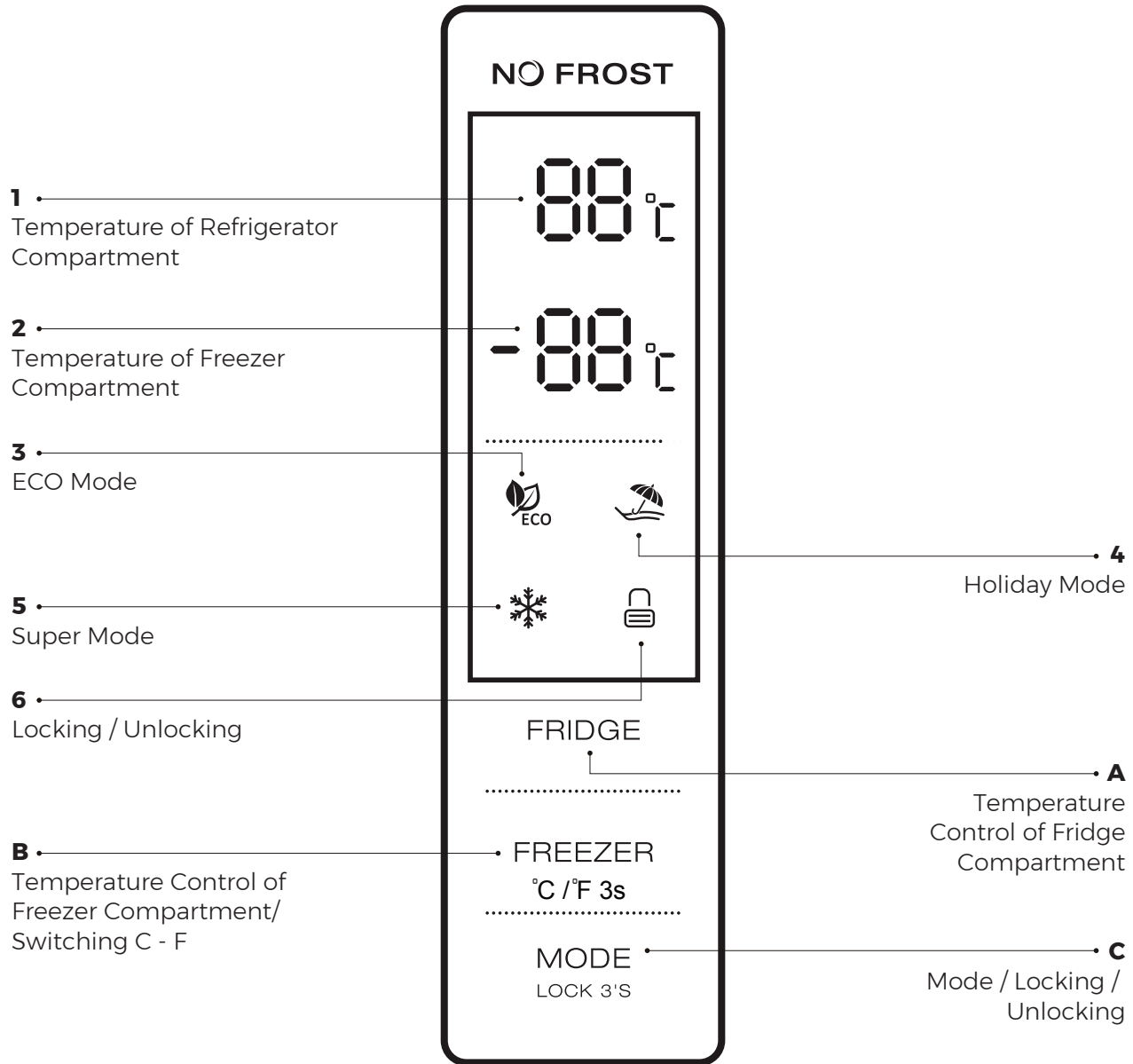
! WARNING !

- Please Use Caution to Avoid Getting your Fingers Clipped by the Door.
- Keep C-Type Washers and Tools Away from Children to Avoid Choking Hazards.
- Keep Rubber Blocks Away from Children to Avoid Choking Hazards.

Operating Your Refrigerator

Control Panel & Features:

Please reference the diagram below to help understand the features and functions on the control panel.



Operating Your Refrigerator

Operating your Refrigerator:

- The control panel is 100% lit up for 3 seconds and operates exactly as per the setting (mode and temperature) before the power off.
- The system will be automatically locked after 25 seconds after the last key operation. After locking, the panel light will shut-off after 120 seconds after the last keyed in operation.
- Both preset temperatures of refrigerator compartment and freezer compartment will be shown on the display.

Display:

- The display panel will be lit up for 2 minutes once the door of the refrigerator compartment or freezer compartment is opened.
- The panel light will go out after 2-minutes after the last operation.
- The temperature display for the refrigerator compartment will indicate the temperature of the current setting.
- The temperature display for the freezer compartment will indicate the temperature of the current setting.

Temperature Control, Freezer:

After entering the temperature control of the freezer compartment, the key flashes. By touching the key consecutively, the temperature will change in a cycle from -1° to -22° , after 5-seconds flashing the desired temperature is selected.

Temperature Control, Refrigerator:

- After entering the temperature control of the refrigerator compartment, this key flashes. By touching the key consecutively, the temperature will change in a cycle of " 2° , 3° , 4° , 5° , 6° , 7° , 8° " after 5-seconds flashing the desired temperature is selected.

Locking & Unlocking:

- By touching the "lock" key consecutively, the operation mode of the refrigerator will change in a circle of "ECO Mode, Holiday Mode, Super Mode and User Defined Mode. A 5-second flashing means the selection of temperature mode has been selected.
- Hold down the "lock" icon to enter / exit locking mode.
- To unlock functions, hold down the lock key for 3-seconds. All keys will be unlocked, and an indicator beep will sound. • To lock functions, hold down the lock key for 3-seconds in unlock mode. All keys will be locked after a beep.
- If no operation is selected after 25-seconds the display will lock automatically.

Switching between C and F:

Press and hold the freezer button for 3-seconds, the display will automatically change between Celsius and Fahrenheit.

ECO Mode:

- Press “mode” to choose ECO Mode, the ECO icon will stay lit after 5 seconds flashing.
- In ECO mode the refrigerator is set at 5 degrees Celsius and the freezer at -18 degrees Celsius. You cannot adjust the refrigerator or freezer temperature when in ECO Mode. An error signal will flash three times if you try to alter them.
- If you want to change or adjust the temperatures you should exit ECO mode by pressing “mode” again and waiting 5-seconds to enter your desired temperature mode.

Holiday Mode:

- Press “mode” to choose Holiday Mode, the Holiday icon will stay lit after 5 seconds flashing.
- In Holiday mode the refrigerator is set at 17 degrees Celsius. You cannot adjust the refrigerator temperature when it is in holiday mode.
- If you want to change or adjust the temperatures you should exit Holiday mode by pressing “mode” again and waiting 5-seconds to enter your desired temperature mode.

Freezing Mode:

- Press “mode” to choose Freezer Mode, the Freezer icon will stay lit after 5 seconds flashing.
- You cannot adjust the freezer temperature when in Super Freezing Mode. The appliance will automatically exit “Super Freezing Mode” after 50-hours of freezing.

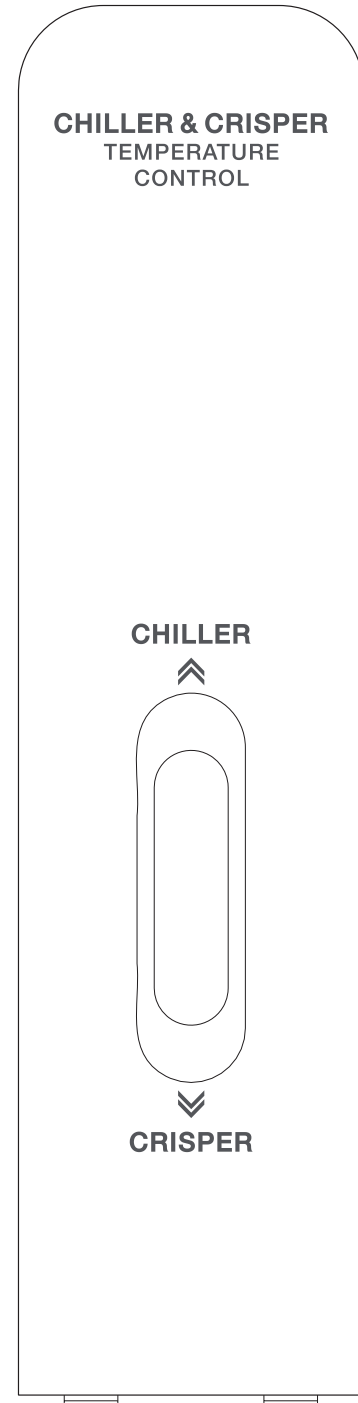
Operating Your Refrigerator

Using the Temperature Controls

- To adjust the temperature level push the knob upward from the bottom and the temperature level will gradually decrease.
- When the knob is in the “CRISPER” position, the fresh zone will function as a crisper zone and automatically maintain the appropriate temperature and humidity levels for fruits and vegetables.
- When the knob is placed in the “CHILLER” position, the food will stay fresh but NOT frozen. This is ideal for storing fresh food.
- If you select the “CHILLER” function we recommend setting the refrigerator temperature below 4-degrees Celsius. In order to maintain fresh food, we recommend you do not leave food past 3-days.

Adjusting the Crisper Zone

- When the key is placed in the “HIGH” position, the crisper humidity level is high. A High humidity level is ideal for vegetables.
- When the key is placed in the “LOW” position, the crisper humidity level is low. A low humidity level is ideal for fruits.



Cleaning the Interior:

Before using the appliance for the first time, wash the interior and all internal accessories with lukewarm water and a cloth. This will remove the typical “new product smell.” Be sure to dry thoroughly.

IMPORTANT:

DO NOT use detergents or abrasive powders to clean your appliance, this will damage the finish.

Freezing Foods:

- The freezer compartment is ideal for freezing fresh food and storing frozen food for extended periods of time.
- To ensure this appliance is used properly, please make sure food is adequately packed, frozen according to correct temperature indications on packaging, and proper hygienic precautions are taken.
- If storing fresh food that you intend to freeze, use the bottom compartment.
- The storage life of frozen food will vary. The recommended storage times, indicated on packaging, should not be exceeded.
- Commercially frozen food should be stored in accordance with the guidelines provided by the frozen food manufacturer.
- If you overload the freezer, the quality of freezing will be reduced. This will affect the quality of the frozen food.
- We suggest you mark frozen food packages with the following data: kind of food being stored, date of first storage.

- Use the correct packaging when freezing foods. Wrap food tightly prior to freezing.
- Packaging should be airtight and should not leak.
- When you are about to prepare frozen foods, make sure to take sanitary precautions.
- Lean foods will store better and longer than fatty foods.
- Salt will reduce the storage life of food.
- Only freeze top quality, fresh and thoroughly cleaned foods.
- Make sure frozen foods are transferred from the store to the freezer in the shortest time period possible.
- For best performance, do not open the door frequently or leave it open longer than needed.
- DO NOT exceed the storage period indicated by the food manufacturer.
- Once food has been defrosted, food quality deteriorates rapidly and cannot be re-frozen.

IMPORTANT:

In the event of accidental defrosting, loss of power, etc. the defrosted food must be inspected and consumed, if possible, or cooked immediately and then re-frozen only after cooked.

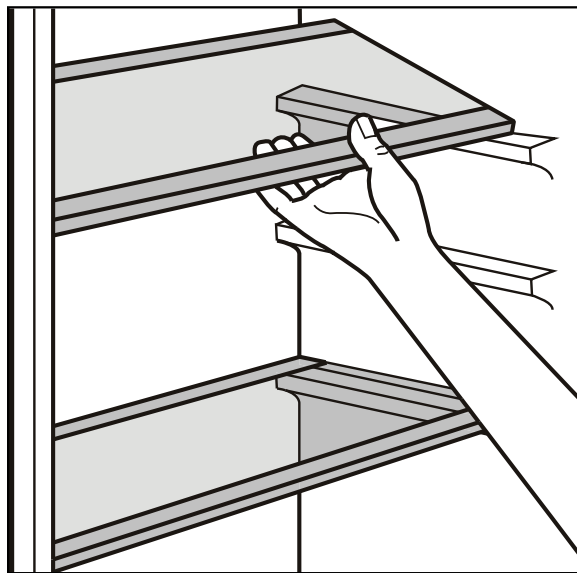
Operating Your Refrigerator

Refrigerating Foods:

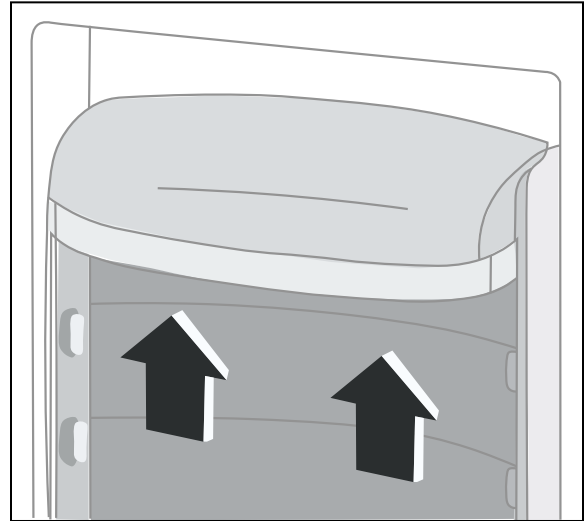
- For best results, DO NOT store warm food or evaporating liquids in the refrigerator.
- Make sure to cover foods that have strong flavors and odors.
- Cooked foods and cold dishes should be covered prior to placing them on any shelf.
- Fruit and vegetables should be thoroughly cleaned and placed in the ForeverFresh crisper drawers.
- Butter and cheeses should be placed in special airtight containers or wrapped in aluminum foil or polythene bags to exclude as much air as possible.

Refrigerator Storage:

- This refrigerator comes with glass shelves. The walls of the refrigerator are equipped with a series of runners so that the shelves can be positioned as desired.



- For added storage, the door balconies can be placed at different heights to accommodate food packages of various sizes.
- To make these adjustments gradually pull the door balcony in the direction of the arrows until it comes free, then reposition as required.



Care & Maintenance

Cleaning:

For hygienic reasons the appliance interior, including accessories, should be cleaned regularly.

WARNING

CAUTION: This appliance may **NOT** be connected during cleaning. Danger of electrical shock! Before cleaning switch the appliance off and remove the plug from the outlet, or switch off or pull out the Circuit Breaker or fuse. **NEVER** clean the appliance with a steam cleaner. Moisture could accumulate in electrical components, causing danger of electrical shock! Hot vapors can lead to the damage of plastic parts. The appliance must be dry prior to plugging it back in.

IMPORTANT: Ethereal oils and organic solvents can attack plastic parts and should be avoided.

- DO NOT allow such substances to come into contact with appliance parts.
- DO NOT use any abrasive cleaners.
- Remove the food from the freezer. Store it in a cool, well covered, place.
- Switch the appliance off and remove the plug from the outlet or switch off the circuit breaker fuse.
- Clean the appliance and the interior accessories with a cloth and lukewarm water. After cleaning wipe with fresh water and rub dry.
- After everything is dry, plug the appliance in to the main power supply and you may use the appliance.

Preparing for Vacation:

- Turn the refrigerator off and then unplug from the wall outlet.
- Remove all the food and clean the refrigerator.
- Leave the door slightly open to avoid possible mold or odor from forming.
- In case of children, use extreme caution, this unit should NOT be accessible to child's play.
- If you will be on vacation for less than three weeks you may decide to leave the refrigerator operating.
- If the refrigerator will not be used for several months, remove all the food, unplug the power cord, clean and dry the interior thoroughly and crack the door open slightly.

Relocating your Refrigerator:

- Turn the refrigerator off and then unplug from the wall outlet.
- Remove all the food and clean the refrigerator.
- Securely tape down all loose items inside your refrigerator.
- Tape both doors shut.
- Be sure to keep the refrigerator in upright position during transportation

Care & Maintenance

Energy Saving Suggestions:

- Locate this refrigerator in a cool area, away from direct exposure to heat producing appliances and/or out of direct sunlight.
- Let hot foods cool to room temperature prior to placing them inside the refrigerator.
- Keep your refrigerator organized to reduce the amount of time you open and close the door.
- When removing items from refrigerator or freezer remove as many at one time and shut the door as quickly as possible.
- To reduce frost build-up be sure to wipe down containers prior to placing them in the refrigerator.

Daily Use Suggestions:

You can store different foods in different compartments according to the recommendations below:

Refrigerator Compartment	Type of Food
Door or balconies of fridge compartment	<ul style="list-style-type: none"> • Foods with natural preservatives, such as jams, juices, drinks, condiments. • Do not store perishable foods.
Crisper drawer (salad drawer)	<ul style="list-style-type: none"> • Fruits, herbs and vegetables should be placed separately in the crisper bin. • Do not store bananas, onions, potatoes, garlic in the refrigerator.
Fridge Shelf - Bottom Chiller (box/drawer)	Raw meat, poultry, fish (for short-term storage).
Fridge Shelf - Middle	Dairy products, eggs.
Fridge Shelf - Top	Foods that do not need cooking, such as ready-to-eat foods, deli meats, leftovers.
Freezer Drawer(s) / shelf	<ul style="list-style-type: none"> • Foods for long-term storage. • Bottom drawer/shelf for raw meat, poultry, fish. • Middle drawer/shelf for frozen vegetables, chips. • Top drawer/shelf for ice cream, frozen fruit, frozen baked goods.

Trouble Shooting Guide

First try the solutions suggested here prior to a service call.

Symptom	Possible Cause and/or Recommended Solutions
Refrigerator not operating	<p>Not connected to an electrical supply – Plug the power cord into a grounded 3-prong outlet. Do not use an extension cord.</p> <p>NO power to the electrical outlet – Plug in a lamp to see if the outlet is working.</p> <p>Household fuse blown or circuit breaker tripped – Replace the fuse or reset the circuit breaker. If the problem continues, contact a qualified technician.</p> <p>Control is not turned on – Turn the refrigerator control on.</p> <p>New Installation – Allow 24-hours following installation for the refrigerator to cool down completely. NOTE: Adjusting the temperature control(s) to the coldest setting will not cool the refrigerator more quickly.</p>
Compressor turns on and off frequently	<p>The room temperature is hotter than normal.</p> <p>A large amount of food has been added to the refrigerator.</p> <p>The door is opened too frequently.</p> <p>The door is not closed completely.</p> <p>The door gasket is not sealed properly.</p> <p>The refrigerator does not have the correct clearances.</p> <p>The refrigerator has recently been disconnected for a period of time (4 hours is recommended to cool down completely).</p>

Trouble Shooting Guide

Symptom	Possible Cause and/or Recommended Solutions
<p>Temperature inside the refrigerator is too warm:</p>	<p>Temperature control is set too warm. Turn the control to a cooler setting and allow several hours for the temperature to stabilize.</p> <p>Door is kept open too long or is opened too frequently. Warm air enters the refrigerator every time the door is opened. Open the door less often.</p> <p>The door is not closed completely.</p> <p>The door gasket does not seal properly.</p> <p>A large amount of warm or hot food might have been stored recently. Wait until the refrigerator has had a chance to reach its selected temperature.</p> <p>The refrigerator has recently been disconnected for a period of time. 4-hours are required for the refrigerator to cool down completely.</p>
<p>Temperature inside the refrigerator is too cold:</p>	<p>Temperature control is set too cold. Turn the control to a warmer setting and allow several hours for the temperature to stabilize.</p>
<p>Temperature of external refrigerator surface is warm:</p>	<p>The exterior refrigerator walls can be as much as 30°F warmer than room temperature. This is normal while the compressor works to transfer heat from inside the refrigerator cabinet.</p>

Symptom	Possible Cause and/or Recommended Solutions
Popping or cracking sound when compressor comes on:	Metal parts undergo expansion and contraction, as in hot water pipes. This is normal. Sound will level off or disappear as refrigerator continues to run.
Bubbling or Gurgling sound:	Refrigerant is circulating throughout the system. This is normal.
Vibrations:	<p>Check to assure that the refrigerator is on a level surface.</p> <p>Floor is uneven or weak. Refrigerator rocks on the floor when it is moved slightly – Be sure the floor can adequately support the refrigerator.</p> <p>Level the refrigerator by putting wood or metal shims under parts of the refrigerator.</p> <p>The refrigerator is touching the wall. – Re-level the refrigerator and move it away from the wall.</p>
Moisture forms on the inside refrigerator walls:	<p>Weather is hot and humid, which increases the internal rate of frost build-up. This is normal.</p> <p>Door is slightly open.</p> <p>Door is kept open too long or is opened too frequently.</p> <p>Open the door less often.</p> <p>The door is not sealed properly.</p>
Moisture forms on outside of refrigerator:	Door is slightly open, causing cold air from inside the refrigerator to meet warm moist air from outside.

CUSTOMER SUPPORT

Before contacting customer support, please see the trouble- shooting guide above.


Visit our website to contact us, find answers to Frequently Asked Questions, and for other resources which may include an updated version of this user's manual.

 **WWW.IMPECCA.COM**

If you wish to contact us by phone, please be sure to have your model number and serial number ready and call us between 9:00am and 6:00pm ET, at +1 866-954-4440.

Keep tabs on Impecca's newest innovations & enter contests via our social network feeds:

 www.facebook.com/Impecca/

 www.instagram.com/impecca/

 [@impeccausa](https://twitter.com/impeccausa)

SIX MONTH LIMITED WARRANTY

IMPECCA SIX MONTH LIMITED WARRANTY {36590}

Impecca® warrants this product against defects in material and workmanship to the original purchaser as specified below. Please register your product online within fourteen (14) days of purchase.

PARTS – if the product is determined to have a manufacturing defect, within a period of six (6) months from the date of the original purchase, Impecca® will repair or replace the product parts at no charge (for parts) to consumers in the U.S.A. and Canada.

LABOR – if the product is determined to have a manufacturing defect, within a period of thirty (30) Days from the date of the original purchase, Impecca® will repair or replace the product at no charge to consumers in the U.S.A. and Canada. After thirty (30) Days, it will be the responsibility of the consumer.

Shipping costs to and from our warranty service center are the sole responsibility of the consumer.

To obtain warranty service by an authorized Impecca® service center, please email us at: service@impecca.com to obtain a Repair and Maintenance Authorization (RMA) number and to locate the Warranty Service Center nearest you. Once authorized, you must mail the product to the authorized Impecca® service center in its original product packaging materials or equivalent, to prevent damage while in transit.

Further, should Impecca® determine that the product is outside of the Warranty terms, Impecca® will return the product to sender at sender's expense without being repaired or replaced, unless authorized by the consumer to service the out-of-warranty product at consumer's expense. All handling or restocking charges for returns and/or replacements shall be non-refundable.

Impecca® specifically excludes from this warranty any non-electric/mechanical attachments, accessories, and disposable parts including, but not limited to, outside case, connecting cables, batteries, and AC adapters. Impecca® reserves the right to repair or replace defective products with the same, equivalent, or newer models.

We reserve the right to either repair or replace product at our discretion. Replacement may be either new or refurbished and while every endeavor will be made to ensure it is the same model, if same model is not available, it will be replaced with a model of equal or higher specification.

Normal "Wear and Tear" is not covered by this, or any other, warranty. Further, Impecca® hereby reserves the right to determine "Wear and Tear" on any and

all products. Tampering or opening the product casing or shell will void this warranty in its entirety.

In addition, this warranty does not apply if the product has been damaged by accident, abuse, misuse, or misapplication; has been altered or modified without the written permission of Impecca®; has been serviced by a non-authorized repair center of Impecca®; has not been properly maintained or operated according to the operation manual; has been used for commercial, non-household purposes; has been cosmetically damaged; was not imported by Impecca®; was not manufactured according to specification of the United States market; was damaged due to improper installation or neglect by the consumer; was damaged due to improper packaging in shipment to the Warranty Service Center; was damaged due to natural disasters; or if the serial number for the product has been removed or defaced.

ALL IMPLIED WARRANTIES, INCLUDING IMPLIED WARRANTIES OF MERCHANTABILITY AND FITNESS FOR A PARTICULAR PURPOSE ARE LIMITED IN DURATION TO SIX (6) MONTHS PARTS AND THIRTY (30) DAYS LABOR FROM THE DATE OF THE ORIGINAL RETAIL PURCHASE OF THIS PRODUCT.

THESE WARRANTIES AND REMEDIES ARE THE SOLE AND EXCLUSIVE WARRANTIES AND REMEDIES IN CONNECTION WITH THE SALE AND USE OF THE PRODUCT. NO OTHER WARRANTIES, ORAL OR WRITTEN, EXPRESSED OR IMPLIED, ARE GIVEN.

IMPECCA® IS NOT RESPONSIBLE OR LIABLE FOR ANY DAMAGE, WHETHER SPECIAL, INCIDENTAL, CONSEQUENTIAL, DIRECT OR OTHERWISE, OR WHETHER KNOWN OR SHOULD HAVE BEEN KNOWN TO IMPECCA®, INCLUDING LOST PROFITS, GOODWILL, AND PROPERTY AND PERSONAL INJURY RESULTING FROM ANY BREACH OF WARRANTY, THE INABILITY TO USE THE PRODUCT OR UNDER ANY LEGAL THEORY IN CONTRACT OR TORT. IMPECCA LIABILITY IS LIMITED TO THE ACTUAL PURCHASE PRICE PAID TO THE RETAIL SELLER OF THE DEFECTIVE PRODUCT.

No Impecca® dealer, agent, or employee is authorized to make any modification, extension, change or amendment to this warranty without the written consent and authorization from Impecca®.

Some states do not allow the exclusion or limitation of implied warranties or liability for incidental or consequential damages, or do not allow a limitation on how long an implied warranty lasts, so the above limitations or exclusions may not apply to you. This warranty gives you specific legal rights, and you may have other rights, which vary from state to state.

Important: Be Sure to Register Your Product at WWW.IMPECCA.COM within 14 Days

Impecca® USA • PA 18711 • www.impecca.com • service@impecca.com

**Do not send any returns to this address, as they may be lost and this will delay your repair and service process.*