



**16.5 CU FT Multi Door Refrigerator — User Manual**

**Model: RM-4165SLG1**

***[www.impecca.com](http://www.impecca.com)***

# TABLE OF CONTENTS

---

IMPORTANT SAFETY & PRECAUTIONS . . . . .	3
UNIT DIAGRAM. . . . .	4
INSTALLATION INSTRUCTIONS. . . . .	5
POSITIONING. . . . .	7
LOCATION. . . . .	7
MULTI-TEMPERATURE ZONES . . . . .	8
ELECTRICAL CONNECTION . . . . .	8
TEMPERATURE CONTROL & SETTINGS. . . . .	9
DAILY USE . . . . .	10
CLEANING & MAINTENANCE . . . . .	11
TROUBLESHOOTING . . . . .	11
CUSTOMER SUPPORT . . . . .	12
ONE-YEAR LIMITED WARRANTY. . . . .	13


# IMPORTANT SAFETY & PRECAUTIONS

---


## What You Need To Know About Safety Instructions:

Warnings and important safety instructions in this manual do not cover all possible conditions and situations that may occur. It is your responsibility to use common sense, caution, and care when installing, maintaining, and operating this appliance.

## Important Safety Symbols & Precaution Warnings:

 **WARNING:** This symbol indicates that hazards or unsafe practices may cause serious personal injury or death. To reduce the risk of fire, explosion, electric shock, or personal injury when using your appliance, these basic safety precautions must be followed. Keep this section for future reference.

## State of California Proposition 65 Warnings:

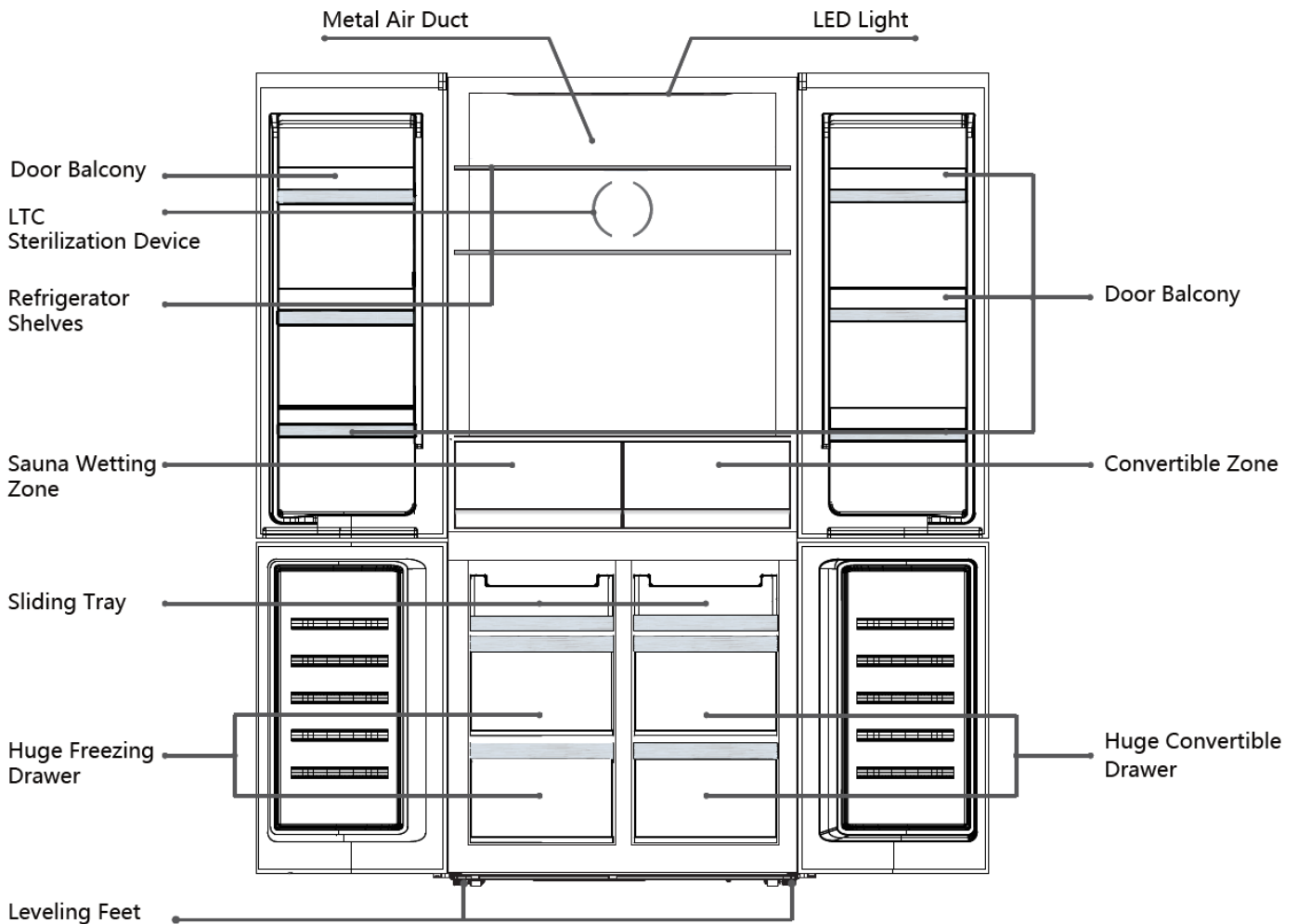
 **WARNING:** This product contains chemicals known to the State of California to cause cancer, birth defects, or other reproductive harm. This appliance can cause low-level exposure to substances like benzene, formaldehyde, and carbon monoxide.

## General Safety Precautions:

- Read all instructions before using this appliance.
- Plug into a grounded three-prong outlet.
- Do not remove the ground prong or use an adapter.
- Do not use an extension cord.
- Disconnect power before servicing.
- Replace all parts and panels before operating.
- Remove doors from your old refrigerator to prevent accidental entrapment.
- Use non-flammable cleaner.
- Keep flammable materials and vapors, such as gasoline, away from the refrigerator.
- Use two or more people to move and install the refrigerator.
- Do not store explosive substances such as aerosol cans with flammable propellants inside this appliance.
- The refrigerant isobutane (R600a) is contained within the refrigerant circuit of the appliance, a natural gas with high environmental compatibility, but it is flammable.
- During transportation and installation of the appliance, be sure none of the components of the refrigeration circuit become damaged.

1. Avoid open flames and sources of ignition.
  2. Thoroughly ventilate the room in which the appliance is located.
- Do not modify or alter this product in any way. Any damage to the cord may cause a short circuit, fire, or electric shock.
  - This appliance is intended for household use and similar applications, such as:
    1. Staff kitchen areas in shops, offices, and other working environments.
    2. Clients in hotels, motels, and other residential environments.
    3. Catering and similar non-retail applications.

## UNIT DIAGRAM



# INSTALLATION INSTRUCTIONS

## Critical Installation Warnings:



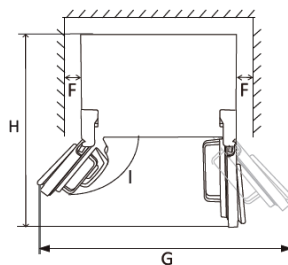
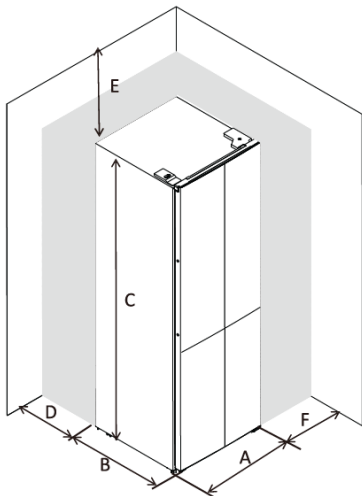
The installation of this appliance must be performed by a qualified technician or service company. Failing to have a qualified technician install the refrigerator may result in electric shock, fire, explosion, product malfunction, or injury.

## Before Using Your Refrigerator:

- Remove all exterior and interior packaging.
- Before connecting the refrigerator to the power source, let it stand upright for approximately 4 hours to reduce the possibility of a malfunction in the cooling system from improper handling during transportation.
- Clean the interior surface using lukewarm water and a soft cloth.

## Installing Your Refrigerator:

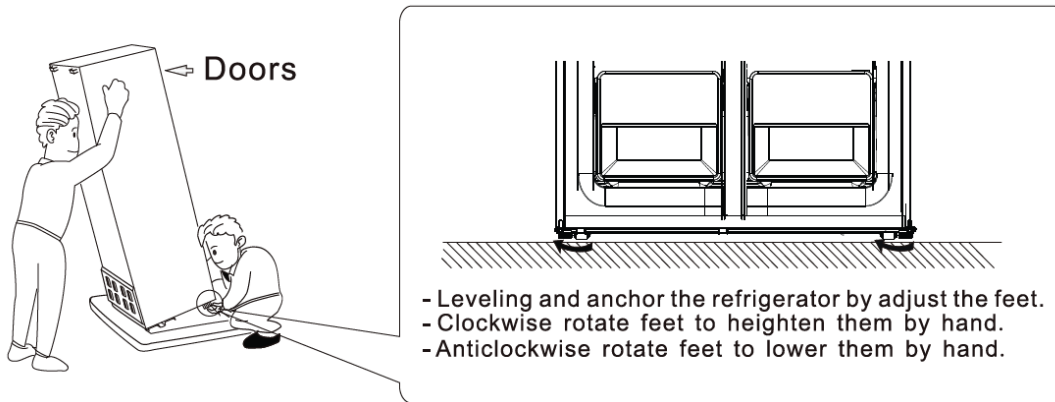
- Place the refrigerator on a floor strong enough to support it when fully loaded.
- Allow 2 inches of space between the back of the refrigerator and the wall for proper air ventilation. Adjust the feet to keep the refrigerator level.
- Keep the refrigerator away from direct sunlight and heat sources. Direct sunlight may affect the exterior, and heat sources may increase energy consumption.
- Avoid placing the refrigerator in moist areas.
- Plug the refrigerator into a dedicated, properly installed grounded wall outlet. Do not cut or remove the third (ground) prong from the power cord. If you have any questions concerning power or grounding, consult a certified electrician or authorized service center.
- After plugging in the appliance, allow it to cool down for 2-3 hours before placing food inside.



A	31 inches
B	29 inches
C	71 inches
D	2 inches
E	2 inches
F	2 inches
G	62 inches
H	60 inches
I	135°

## Leveling the Unit

To level the unit, adjust the two leveling feet at the front of the unit.



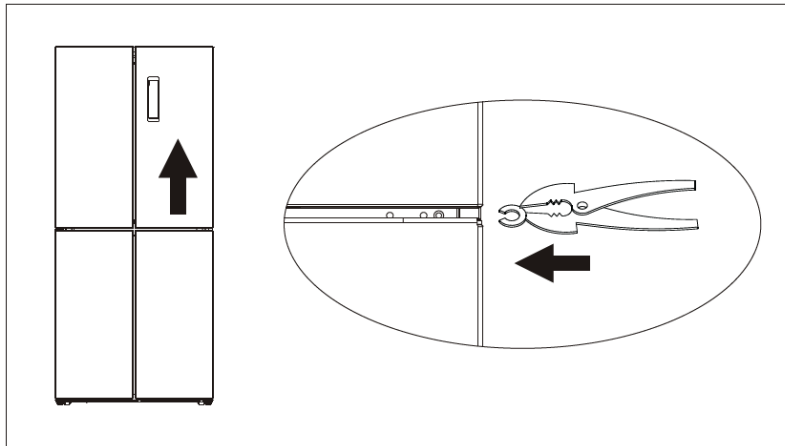
## Level Doors


After transportation or when door balconies are loaded with food or beverages, the upper two doors may not be aligned. There are 3 C-type washers used to adjust the doors. Follow the steps below to level the doors:




Before checking door alignment, ensure the appliance is standing level.

If the tops of the upper two doors are not aligned, slightly lift the lower door and insert a C-type washer using a clip between the bottom of the door and the middle hinge.



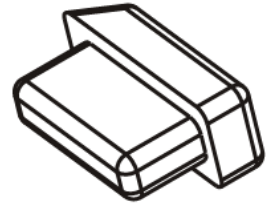
 **WARNING:** Be careful to avoid pinching your fingers in the door. Use a tool for the adjustment.

 **WARNING:** Keep C-type washers away from children to prevent swallowing, as they are small parts.

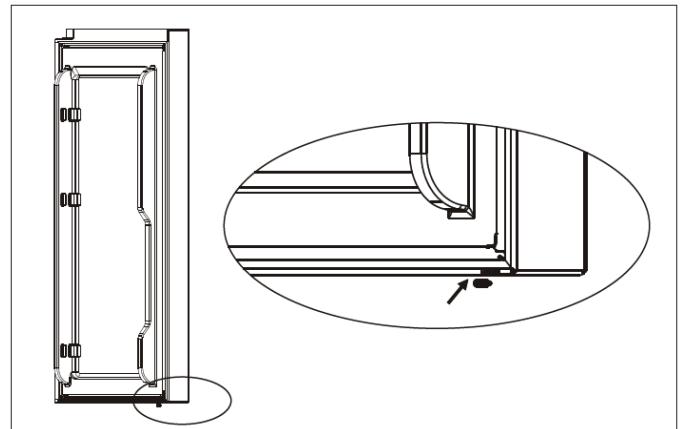
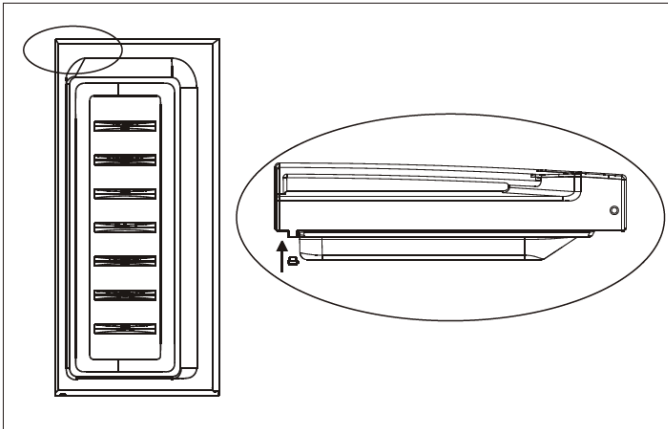
## Rubber Blocks

Each door has a rubber block, which acts as a spring to absorb the impact when the door closes.

Do not pull the rubber blocks. If they are missing from the doors, take one from the accessory bag and insert it into the hole on the door.



 **WARNING:** Keep rubber blocks away from children to prevent swallowing, as they are small parts.



## POSITIONING

Install this appliance in a location where the ambient temperature corresponds to the climate class indicated on the rating plate of the appliance:

- **Extended temperate (SN):** This appliance is intended for use at ambient temperatures ranging from 50°F to 89.6°F.
- **Temperate (N):** This appliance is intended for use at ambient temperatures ranging from 60.8°F to 89.6°F.
- **Subtropical (ST):** This appliance is intended for use at ambient temperatures ranging from 60.8°F to 100.4°F.
- **Tropical (T):** This appliance is intended for use at ambient temperatures ranging from 60.8°F to 109.4°F.

## LOCATION

The appliance should be installed well away from sources of heat such as radiators, boilers, and direct sunlight. Ensure that air can circulate freely around the back of the cabinet. For optimal performance, if the appliance is positioned below an overhanging wall unit, there should be a minimum distance of 2 inches between the top of the cabinet and the wall unit. Ideally, the appliance should not be positioned under overhanging wall units. Accurate leveling is ensured by adjusting the feet at the base of the cabinet.

This refrigerating appliance is not intended to be used as a built-in appliance.

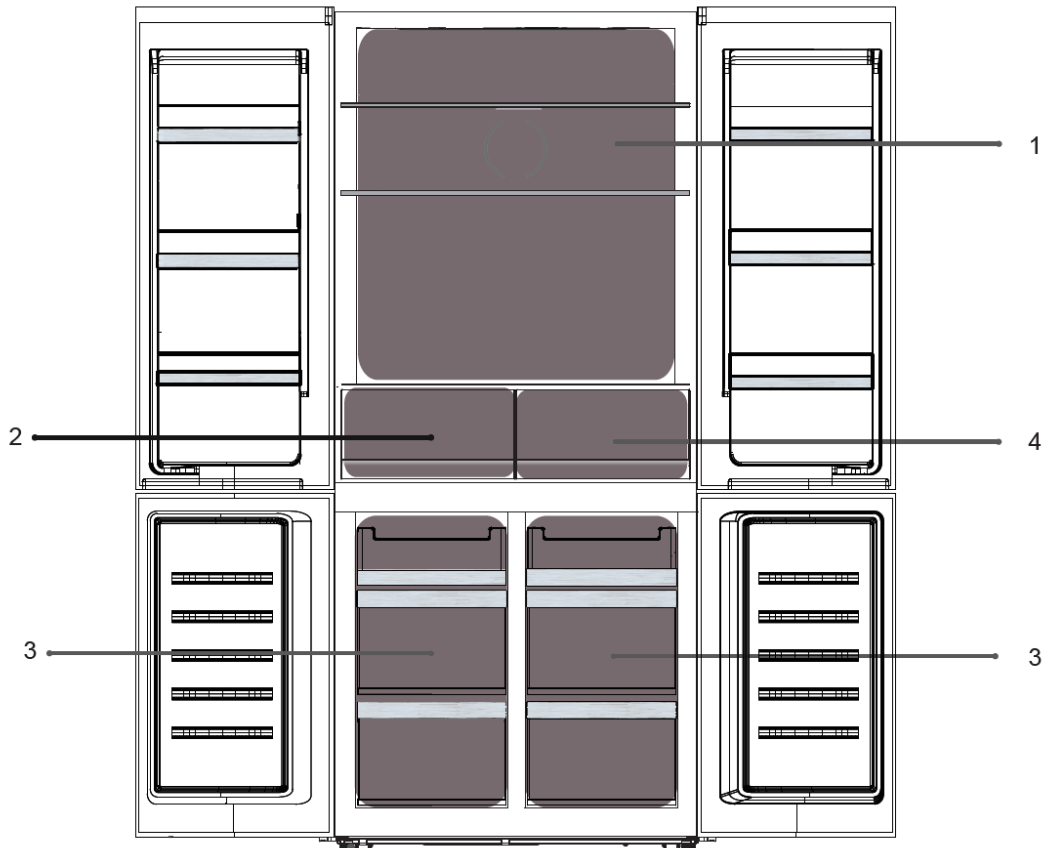


**WARNING:** It must be possible to disconnect the appliance from the mains power supply. The plug must, therefore, be easily accessible after installation.

## ELECTRICAL CONNECTION

Before plugging in, ensure that the voltage and frequency shown on the rating plate correspond to your domestic power supply. The appliance must be earthed. The power supply cable plug is provided with a grounding contact for this purpose. If the domestic power supply socket is not earthed, connect the appliance to a separate earth in compliance with current regulations, consulting a qualified electrician. The manufacturer declines all responsibility if the above safety precautions are not followed. This appliance complies with E.E.C. Directives.

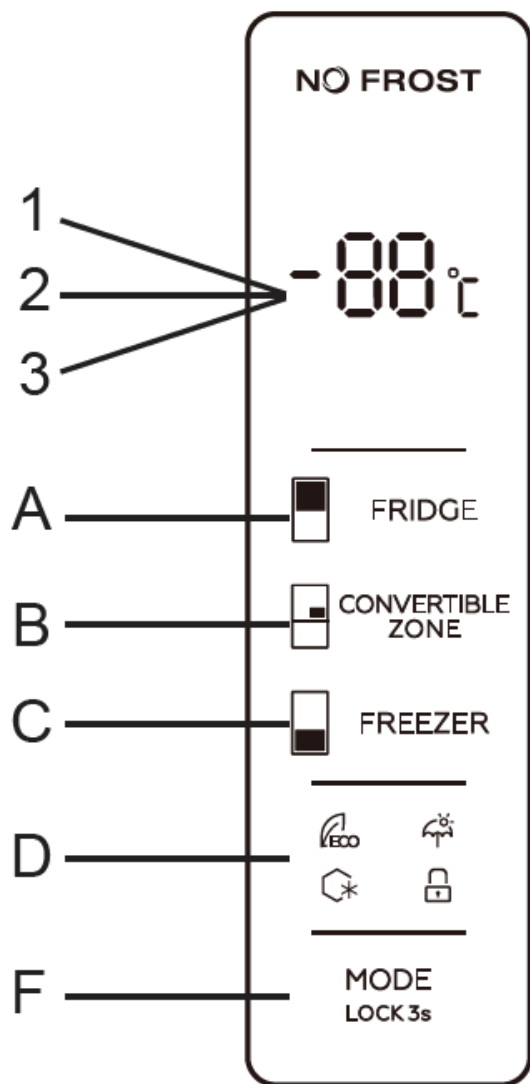
## MULTI-TEMPERATURE ZONES



- 1. Fridge Temp:** 35.6°F ~ 46.4°F. Controlled by the operating display panel..
- 2. Fresh Temp:** 35.6°F ~ 46.4°F.
- 3. Freezer Temp:** -7.6°F ~ 6.8°F. Controlled by the operating display panel..
- 4. Convertible Zone Temp:** 26.6°F ~ 41°F. Controlled by the operating display panel.



# TEMPERATURE CONTROL & SETTINGS



## LED DISPLAY

1. Temperature of Fridge Compartment
2. Temperature of Freezer Compartment
3. Temperature of Convertible Compartment

## KEY OPERATIONS

- A. Fridge Temperature Setting
- B. Convertible Zone Temperature Setting
- C. Freezer Temperature setting
- D. Mode Setting (ECO, Holiday, Super Freezing)
- E. Locking/Unlocking Setting

## Fridge Temperature Control:

Adjust the fridge temperature by pressing the fridge temperature button. The temperature will cycle through 35.6°F to 46.4°F. After selecting the desired temperature, the button will flash for 5 seconds to confirm the selection.

## Freezer Temperature Control:

Adjust the freezer temperature by pressing the freezer temperature button, cycling through temperatures from 6.8°F to -7.6°F. The selected temperature will flash for 5 seconds to confirm.

## Convertible Compartment Temperature Control:

Adjust the temperature of the convertible compartment from 41°F to 26.6°F by pressing the corresponding button. The temperature will be confirmed after flashing for 5 seconds.

### Modes:

- **ECO Mode:** Optimizes energy consumption by adjusting the fridge and freezer temperatures.
- **Holiday Mode:** Fixes the fridge temperature at 62.6°F for periods of extended absence.
- **Super Freezing Mode:** Freezes items rapidly at a temperature of -13°F.

### Display & Operation Conditions:

The control panel will light up for 3 seconds after the door is opened or a key is pressed. The system will automatically lock 25 seconds after the last key operation. The display will turn off 120 seconds after the last operation. The temperatures of the fridge, freezer, and convertible compartments will be displayed individually.

### Lock/Unlock Function:

- To lock the control panel, press the lock button for 3 seconds. A beep will confirm that all buttons are locked.
- To unlock, press the lock button again for 3 seconds. A beep will confirm that all buttons are unlocked.

## DAILY USE

---

### Positioning Food in Different Compartments:

- **Fridge Door:** Store foods with natural preservatives like jams, juices, drinks, and condiments. Do not store perishable foods here.
- **Crisper Zone:** Store fruits, herbs, and vegetables in the crisper bin. Do not store bananas, onions, potatoes, or garlic in the refrigerator.
- **Fridge Shelf:** Store dairy products, eggs, cakes, pasta, and ready-to-eat food such as deli meats and leftovers.
- **Convertible Compartment:**
  - 37.4°F to 41°F: Store fresh fruit and vegetables.
  - 32°F to 35.6°F: Store drinks, beer, and red wine.
  - 26.6°F to 30.2°F: Store raw meat, fish, and seafood for short-term storage.
- **Freezer Compartment:** Store foods for long-term storage such as seafood, fish, meat, and frozen baked goods.

## Temperature Setting Recommendations:

The recommended fridge setting is 35.6°F, and the recommended freezer setting is 0°F.

## Freezing Fresh Food:

Place fresh food to be frozen in the freezer compartment. The maximum amount of food that can be frozen in 24 hours is specified on the rating plate. The freezing process takes 24 hours, during which no additional food should be added.

## Storing Frozen Food:

Let the appliance run for at least 2 hours on a higher setting before placing frozen food in the freezer. If accidental defrosting occurs, consume the food quickly or cook it immediately and refreeze it after cooking.

# CLEANING & MAINTENANCE

---

## Cleaning:

For hygienic reasons, clean the appliance interior and accessories regularly. Disconnect the appliance from the mains before cleaning to avoid electrical shock. Never use a steam cleaner, as moisture can accumulate in electrical components, causing electrical shock. Use lukewarm water and a soft cloth for cleaning. Do not use abrasive cleaners.

# TROUBLESHOOTING

---



**WARNING:** Before attempting any troubleshooting, disconnect the appliance from the power supply. Only a qualified electrician should handle repairs not covered in this manual.

## Common Issues:

### Appliance Not Working:

Ensure the mains plug is properly inserted into the outlet.

Check the fuse and replace it if necessary.

If the socket is defective, contact an electrician.

### Unusual Noises:

Ensure the appliance is level and not touching nearby objects.

If a pipe at the rear of the appliance is vibrating, adjust it carefully.

## Temperature Issues:

Ensure the appliance is not located near a heat source.

Adjust the temperature settings accordingly.

Avoid keeping the door open for extended periods.

# CUSTOMER SUPPORT

---

Visit our website to contact us, find answers to Frequently Asked Questions, and for other resources which may include an updated version of this user's guide.

 [www.impecca.com](http://www.impecca.com)

If you wish to contact us by phone, please be sure to have your model number and serial number ready and call us between 9:00am and 6:00pm ET, at +1 888-943-2111.

Keep tabs on Courant's newest innovations & enter contests via our social network feeds:

 [www.facebook.com/Impecca/](http://www.facebook.com/Impecca/)

 [www.instagram.com/impecca/](http://www.instagram.com/impecca/)

 [@impeccausa](https://twitter.com/impeccausa)

# ONE-YEAR LIMITED WARRANTY

## ONE-YEAR LIMITED APPLIANCE WARRANTY (US)

Impecca™ warrants this product against defects in material and workmanship to the original purchaser as specified below.

**PARTS AND LABOR– if the product is determined to have a manufacturing defect, within a period of one year from the date of the original purchase, Impecca™, at its own discretion, will repair or replace the product parts at no charge to you in the U.S.A.**

To obtain warranty service by an authorized Impecca™ service center, please email us at: [service@impecca.com](mailto:service@impecca.com) to obtain a Repair and Maintenance Authorization (RMA) number and received instructions on how the repair and/or replacement procedure will take place.

**Any glass materials included with the appliance will be covered for a period of 60 days from purchase.**

Impecca™ specifically excludes from this warranty any non-electric/mechanical attachments, accessories and disposable parts including but not limited to outside case, connecting cables, batteries and AC adapters. Impecca™ reserves the right to repair or replace defective products with the same, equivalent or newer models.

We reserve the right to either repair or replace product at our discretion. Replacement may be either new or refurbished and while every endeavor will be made to ensure it is the same model, if not possible it will be equal or higher specification.

Normal “Wear and Tear” is not covered by this warranty. Further, Impecca™ hereby reserves the right to determine “Wear and Tear” on any and all products. Tampering or opening the product casing or shell will void this warranty in its entirety.

Exclusions: This warranty does not cover the following:

1. Any product that has a defaced or covered serial number.
2. Products that have been transferred to a second owner.
3. Rust on the interior or exterior of the unit.
4. Products listed as “As-Is” or “Refurbished.”
5. Food loss due to any product failure.
6. Window air conditioners installed in a wall.
7. The product if used in a commercial setting.
8. Service calls that do not involve product malfunction.
9. Service calls for a product ruined by not following the provided instructions.
10. Service calls to correct improper installation.
11. Costs associated with making the product accessible for servicing (including but not limited to removal of

trim/molding/cabinetry, etc.)

12. Service calls to replace any consumables such as light bulbs, filters, etc.
13. Surcharges that may apply to service calls on weekends, nights, holidays. Damages to the finish of appliance or household furnishings due to installation of appliance.
14. Damages caused by any of the following: Acts of God; fires; misuse; accidents; incorrect power supply; service performed by unauthorized persons; use of non-genuine Impecca parts, etc.

ALL IMPLIED WARRANTIES, INCLUDING IMPLIED WARRANTIES OF MERCHANTABILITY AND FITNESS FOR A PARTICULAR PURPOSE ARE LIMITED IN DURATION TO 1 YEAR FROM THE DATE OF THE ORIGINAL RETAIL PURCHASE OF THIS PRODUCT.

THESE WARRANTIES AND REMEDIES ARE THE SOLE AND EXCLUSIVE WARRANTIES AND REMEDIES IN CONNECTION WITH THE SALE AND USE OF THE PRODUCT. NO OTHER WARRANTIES, ORAL OR WRITTEN, EXPRESSED OR IMPLIED, ARE GIVEN.

IMPECCA™ IS NOT RESPONSIBLE OR LIABLE FOR ANY DAMAGE, WHETHER SPECIAL, INCIDENTAL, CONSEQUENTIAL, DIRECT OR OTHERWISE, OR WHETHER KNOWN OR SHOULD HAVE BEEN KNOWN TO IMPECCA™, INCLUDING LOST PROFITS, GOODWILL, AND PROPERTY AND PERSONAL INJURY RESULTING FROM ANY BREACH OF WARRANTY, THE INABILITY TO USE THE PRODUCT OR UNDER ANY LEGAL THEORY IN CONTRACT OR TORT. IMPECCA LIABILITY IS LIMITED TO THE ACTUAL PURCHASE PRICE PAID TO THE RETAIL SELLER OF THE DEFECTIVE PRODUCT.

No Impecca™ dealer, agent or employee is authorized to make any modification, extension, change or amendment to this warranty without the written consent and authorization from Impecca™.

Some states do not allow the exclusion or limitation of implied warranties or liability for incidental or consequential damages, or do not allow a limitation on how long an implied warranty lasts, so the above limitations or exclusions may not apply to you. This warranty gives you specific legal rights, and you have other rights, which vary from state to state.

*Note: Our Warranty center services only to Continental U.S.A.*