



INSTALLATION INSTRUCTIONS

RSE30 | RSE30B | RSG30/LP | RSG30B/LP
RSE36 | RSE36B | RSG36/LP | RSG36B/LP

INSTALLATION INSTRUCTIONS

GORDON RAMSAY COLLECTION BY THOR KITCHEN

RSG MODELS

GAS/LP RANGE

RSG30/LP | RSG36/LP | RSG30B/LP | RSG36B/LP

RSE MODELS

ELECTRIC RANGE

RSE30 | RSE36 | RSE30B | RSE36B

THOR
K I T C H E N[®]

TABLE OF CONTENTS

IMPORTANT INSTRUCTION	2
1.1 Critical safety information	2
1.2 Signal words explanation	3
1.3 Intended use	3
1.4 IMPORTANT INSTRUCTION	4
DELIVERY	7
2.1 Unpack	7
2.2 Appliance description	8
INSTALLATION	17
3.1 Important note to the installer	17
3.2 Clearances and dimensions	17
3.3 Install the handle	23
3.4 Attach/detach the oven door	24
3.5 Attach/detach the kickplate	26
3.6 Install the burner knobs	27
3.7 Installation for gas models (RSG30/LP, RSG36/LP, RSG30B/LP and RSG36B/LP only)	28
3.8 Electrical connection for gas range (RSG30/LP, RSG36/LP, RSG30B/LP and RSG36B/LP only)	32
3.9 Electrical connection for electric range (RSE30, RSE36, RSE30B and RSE36B only)	33
3.10 Install the back spacers	36
3.11 Move and level the appliance	37
3.12 Install anti-tip device	37
3.13 Place the bottom cover (RSG30/LP, RSG36/LP, RSG30B/LP and RSG36B/LP only)	40
3.14 Assemble the burners	41
3.15 Perform a test run	42
3.16 Conditioning	42
TROUBLESHOOTING	43
WARRANTY	43

IMPORTANT INSTRUCTION

1.1 Critical safety information

WARNING: If the information in these instructions is not followed exactly, a fire or explosion can result causing property damage, personal injury, or death.

- Do not store or use gasoline or other flammable vapors and liquids in the vicinity of this or any other appliance.
- **WHAT TO DO IF YOU SMELL GAS:**
 - Do not try to light any appliance.
 - Do not touch any electrical switch.
 - Do not use any phone in your building.
 - Immediately call your gas supplier from a neighbor's phone. Follow the gas supplier's instructions.
 - If you cannot reach your gas supplier, call the fire department.
- Installation and service must be performed by a qualified installer, service agency, or the gas supplier.

⚠ WARNING

Never Operate the Top Surface Cooking Section of this Appliance Unattended.

- Failure to follow this warning statement could result in fire, explosion, or burn hazard that could cause property damage, personal injury, or death.
- If a fire should occur, keep away from the appliance and immediately call your fire department.

DO NOT ATTEMPT TO EXTINGUISH AN OIL/GREASE FIRE WITH WATER.

⚠ WARNING

NEVER use this appliance as a space heater to heat or warm the room. Doing so can result in carbon monoxide poisoning and overheating of the oven.

IMPORTANT INSTRUCTION

⚠ WARNING

- A child or adult can tip the appliance and be killed.
- Install the anti-tip device to the wall/floor (see **chapter 3.10 Install anti-tip device**). Verify the anti-tip device has been properly installed and engaged with the back of the appliance.
- Engage the appliance to the anti-tip device by pushing that appliance all the way into the installation location. Ensure the anti-tip device is re-engaged when the appliance is moved.
- Re-engage the anti-tip device if the appliance is moved. Do not operate the appliance without the anti-tip device in place and engaged.
- See installation instructions for details.
- Failure to do so can result in death or serious burns to children or adults.

To check the installation of the anti-tip device:

1. Remove any items on the cooktop (31).
2. Grasp the top rear edge of the appliance and carefully attempt to tilt it forward.
3. Verify that the anti-tip device is engaged.

1.2 Signal words explanation

The following signal words are used in this manual

⚠ DANGER	This signal word indicates a hazardous situation which, if not avoided, will result in death or serious injury.
⚠ WARNING	This signal word indicates a hazardous situation which, if not avoided, could result in death or serious injury.
⚠ CAUTION	This signal word indicates a hazardous situation which, if not avoided, could result in minor or moderate injury.
CAUTION	This signal word indicates a hazardous situation which, if not avoided, could result in property damage.
NOTICE	This signal word is a preferred signal word to address tips and practices not related to personal injury.

1.3 Intended use

- This appliance is intended for cooking and preparing food.
- This appliance is intended for household use only.
- This appliance is intended to be used in dry indoor areas only.
- Only use the appliance as mentioned in this manual. Any other use is considered improper and may result in damage to property or injury to persons.
- Potential injury from improper use.
- The manufacturer or vendor cannot be held liable for damages or injury incurred through improper or incorrect use.

IMPORTANT INSTRUCTION

1.4 IMPORTANT INSTRUCTION

For all models

This installation instructions is part of this appliance, and contains important information on setup and use. Read this manual carefully, especially the **IMPORTANT INSTRUCTION chapter**, before using the appliance. Failure to do so may result in personal injury and/or damage to the appliance.

- Keep this manual for future use and reference. Make sure to include this manual when passing the appliance on to third parties. If you require a digital copy of this manual, please contact customer service.
- The appliance must be installed in accordance with local codes. In the absence of local codes, follow ANSI Z223.1/NFPA 54 standards in the U.S. or CSA B149.1 in Canada.
- It is recommended to electrically ground the appliance during installation in accordance with local codes. If local codes are not available, follow NFPA 70 or CSA C22.1 standards in Canada.
- The ventilation area is located at the back of the appliance. The back of the appliance should not be in direct contact with a wall/surface. Install the back spacers to the back of the appliance to maintain a proper area for ventilation.
- In the event of a power failure, do not attempt to use the appliance. If the power fails, always turn the oven off. If the oven is not turned off and the power returns, the oven may begin to operate again. Food left unattended could catch fire or spoil.
- The maximum depth of cabinets installed above the cooktop (31) is 13" (33 cm).
- Seal any openings in the wall behind the appliance and in the floor under the appliance.
- If there is a cabinet above the appliance, install a noncombustible material on the bottom of that cabinet in accordance with local codes. If local codes are not available, follow ANSI Z223.1/NFPA 54 or, CSA B149.1. in Canada
- Proper Installation - Be sure your appliance is properly installed and grounded by a qualified technician.
- Never Use Your Appliance for Warming or Heating the Room.
- Do Not Leave Children Alone - Children should not be left alone or unattended in area where appliance is in use. They should never be allowed to sit or stand on any part of the appliance.
- Wear Proper Apparel - Loose-fitting or hanging garments should never be worn while using the appliance.
- User Servicing - Do not repair or replace any part of the appliance unless specifically recommended in the manual. All other servicing should be referred to a qualified technician.
- Storage in or on Appliance - Flammable materials should not be stored in an oven or near surface units.
- Do Not Use Water on Grease Fires - Smother fire or flame or use dry chemical or foam-type extinguisher.
- Use Only Dry Potholders - Moist or damp potholders on hot surfaces may result in burns from steam. Do not let potholder touch hot heating elements. Do not use a towel or other bulk cloth.
- Use Proper Pan Size - The appliance is equipped with one or more surface units of different size. Select utensils having flat bottoms large enough to cover the surface unit heating element. The use of undersized utensils will expose a portion of the heating element to direct contact and may result in ignition of clothing. Proper relationship of utensil to burner will also improve efficiency.

IMPORTANT INSTRUCTION

- Never Leave Surface Units Unattended at High Heat Settings - Boilover can cause smoke and greasy spillovers that may ignite.
- Protective Liners - Do not use aluminum foil to line the surface of cooktop drip pan or oven bottoms. Improper installation of these liners may result in a risk of electric shock, fire or damage to the porcelain surface.
- Glazed Cooking Utensils - Only specific types of glass, glass-ceramic, ceramic, earthenware, or other glazed utensils are suitable for use on the cooktop, as they may break from sudden temperature changes.
- Utensil Handles Should Be Turned Inward and Not Extend Over Adjacent Surface units - To reduce the risk of burns, ignition of flammable materials, and spillage due to unintentional contact with the utensil, the handle of a utensil should be positioned so that it is turned inward, and does not extend over adjacent surface units.
- Use Caution When Opening Door - Let hot air or steam escape before removing or replacing food.
- Do Not Heat Unopened Food Containers - Build-up of pressure may cause container to burst and result in injury.
- Keep Oven Exhaust Vent Unobstructed.
- Placement of Oven Racks - Always place oven racks in the desired position while the oven is cool. If moving a rack while the oven is hot, ensure potholders do not touch the heating elements.
- Do Not Clean Door Gasket - The door gasket is essential for a good seal. Care should be taken not to rub, damage, or move the gasket.
- Do not use a protective coating to line the oven and do not use commercial oven cleaner unless Certified for use in a self cleaning oven.
- Clean only the parts as suggested in the manual.
- Before Using the Self-Clean Function: Remove the broiler pan, oven racks, and any other utensils.
- DO NOT TOUCH SURFACE UNITS OR AREAS NEAR SURFACES UNITS - Surface units may be hot even though they are dark in color. Areas near surface units may become hot enough to cause burns. During and after use, do not touch, or let clothing or other flammable materials contact surface units or areas near units until they have had sufficient time to cool. Among these areas are the surrounding areas of cook-top, drip-pan, burners and cooking grates.
- DO NOT TOUCH INTERIOR SURFACES OF OVEN - Interior surfaces of an oven become hot enough to cause burns. During and after use, do not touch, or let clothing or other flammable materials contact the interior surfaces of oven until they have had sufficient time to cool. Other surface of the appliance may become hot enough to cause burns - among these surface are oven vent openings and surfaces near these openings, oven doors, and windows of oven doors.
- If the self-cleaning mode malfunctions, the display will show the error code "E10", accompanied by a repeated beep tone. This indicates a malfunction in the self-cleaning mode. Turn off the appliance or disconnect it from the power supply and have it serviced by a qualified technician.

⚠ CAUTION Risk of fire and damage! Do not leave food or cooking utensils, etc., in oven during the pyrolytic self cleaning mode of operation. Remove all items from the oven prior to initiating the cleaning cycle. Before initiating the cleaning cycle, wipe off all excessive spillage, food residue or debris that could potentially ignite. Maintain a safe distance from the appliance during the cleaning cycle and avoid placing any flammable items or materials near the appliance.

⚠ CAUTION Risk of injury! Do not store items of interest to children in cabinets above a appliance or on the backguard of a appliance - children climbing on the appliance to reach items could be seriously injured.

IMPORTANT INSTRUCTION



WARNING

This appliance contains chemicals known to the State of California to cause cancer and/or reproductive harm, and birth defects or other reproductive harm. For more information go to www.P65Warnings.ca.gov.

For gas appliances only (RSG30/LP, RSG36/LP, RSG30B/LP, RSG36B/LP)

- Line Pressure Testing Above 1/2 psi (3.5kPa): The range and its individual shutoff valve must be disconnected from the gas supply piping system during any pressure testing of that system at test pressures in excess of 1/2 psi (3.5 kPa).
- Line pressure testing equal or less than 1/2 psi (3.5 kPa): The range must be isolated from the gas supply piping system by closing its individual manual shutoff valve during any pressure testing of the gas supply piping system at test pressures equal to or less than 1/2 psi (3.5 kPa).
- The appliance should not be installed with a ventilation system that blows air downward toward the appliance. This type of ventilation system may cause ignition and combustion problems with the gas cooking appliance resulting in personal injury or unintended operation.
- Do not use an air curtain or other overhead appliance hood (equipment that operates by blowing a downward airflow onto a appliance) in conjunction with a gas appliance unless the hood and appliance have been designed and tested in accordance with ANSI Z21.1 or CSA 1.1, and designed and tested for combination use.
- The maximum gas supply pressure, test pressure and the supplied pressure regulator setting of the gas appliance supplied are as follows:

	LP (Liquid Propane) in wc	NG (Natural gas) in wc
Maximum gas supply pressure	13.0	10.0
Test pressure	≥11.0	≥6.0
Appliance pressure regulator setting for outlet pressure	10.0	5.0

- Leak testing of the appliance shall be conducted in accordance with these instructions (see **chapter 3.6 Installation for gas models (RSG30/LP, RSG36/LP, RSG30B/LP,RSG36B/LP only)**).
- A manual valve has to be installed in an accessible location in the gas piping external to the appliance for the purpose of turning on or shutting off the gas supply to the appliance.

COMMONWEALTH OF MASSACHUSETTS

- Installations and repairs must be performed by a qualified or licensed contractor, plumber, or gas fitter, qualified or licensed by the state, province, or region where this appliance is being installed.
- Use only gas shut-off valves approved for use within the state, province, or region where this appliance is being installed.
- A flexible gas connector, when used, must not exceed 3' (0.9 m).

For electrical appliances only (RSE30, RSE36, RSE30B, RSE36B)

- Do Not Cook on a Broken Cooktop - If the cooktop is broken, cleaning solutions and spillovers may seep through the cracks, posing a risk of electric shock. Contact a qualified technician immediately.

IMPORTANT INSTRUCTION

- Clean Cook-Top With Caution **Do Not clean cooktop when it's hot.** - If a wet sponge or cloth is used to wipe spills on a hot cooking area, be careful to avoid steam burn. Some cleaners can produce noxious fumes if applied to a hot surface.

DELIVERY

2.1 Unpack

⚠ DANGER Risk of suffocation! Keep any packaging materials away from children and pets – these materials are a potential source of danger, e.g. suffocation.

- If the appliance is too heavy, it is possible to remove the oven door (33) before moving the appliance (see **chapters 3.4 Attach/detach the oven door**).
- Do not remove any warning-type labels, the model and serial number label, or the tech sheet that is located on the back of the appliance.

You will need:

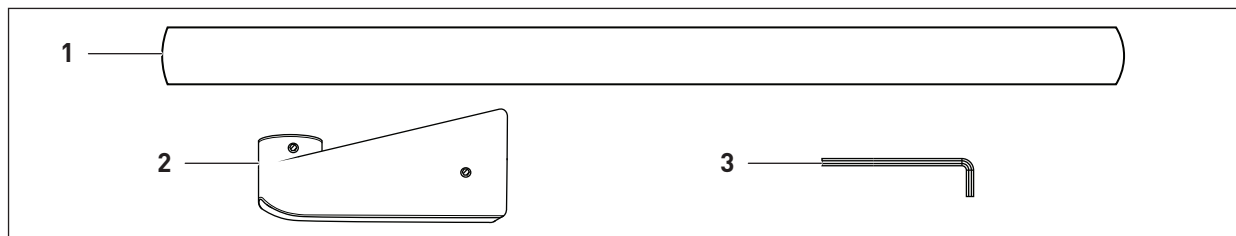
- People x 2
- Furniture dolly x 1
- Soft towel/blanket x 1
- Cardboard/plywood at least 33 x 30" (83.8 x 76.2 cm) in size

1. Cut the straps on the packaging.
2. Take off the top cover and then lift the whole cardboard sleeve off.
3. Unpack the appliance parts located on the foam tray on top of the appliance.
4. Take off the foam tray.
5. Open the oven door (33) and remove all packing materials and appliance parts.
6. Check the appliance for transport damages.
7. Review all components (see **chapter 2.2 Appliance description**).
8. Wrap the appliance with a soft towel/blanket to prevent any scratches when the appliance comes into contact with the furniture dolly.
9. Stand at the back of the appliance and tilt in towards the furniture dolly.
10. Slide the furniture dolly underneath the appliance to remove the appliance from its packaging base.
11. Place the appliance onto cardboard or plywood to avoid damaging the floor surface.

DELIVERY

2.2 Appliance description

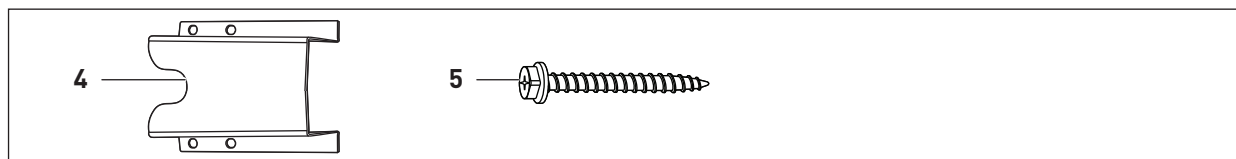
Door parts



1	Door handle x 1	3	Hex key x 1
2	Door side bracket x 2		

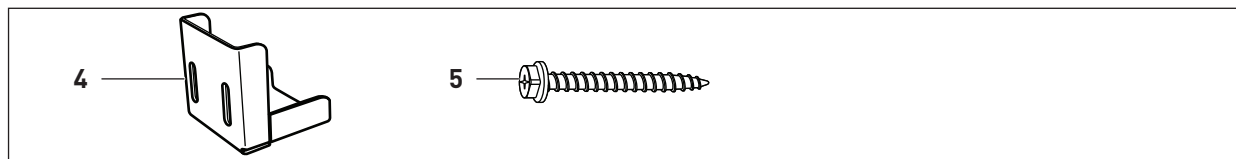
Anti-tip kit

For model RSG30/LP and RSG30B/LP



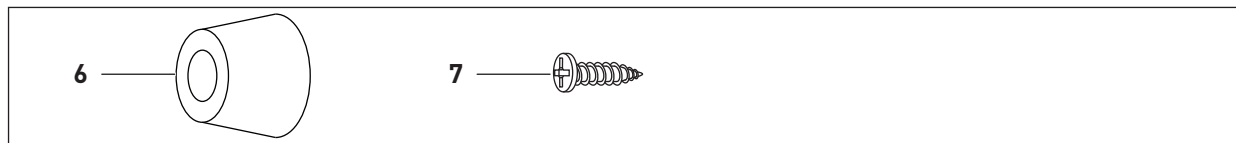
4	Anti-tip device x 1	5	Anti-tip device screw x 4
---	---------------------	---	---------------------------

For model RSE30, RSE30B, RSE36, RSE36B , RSG36/LP and RSG36B/LP



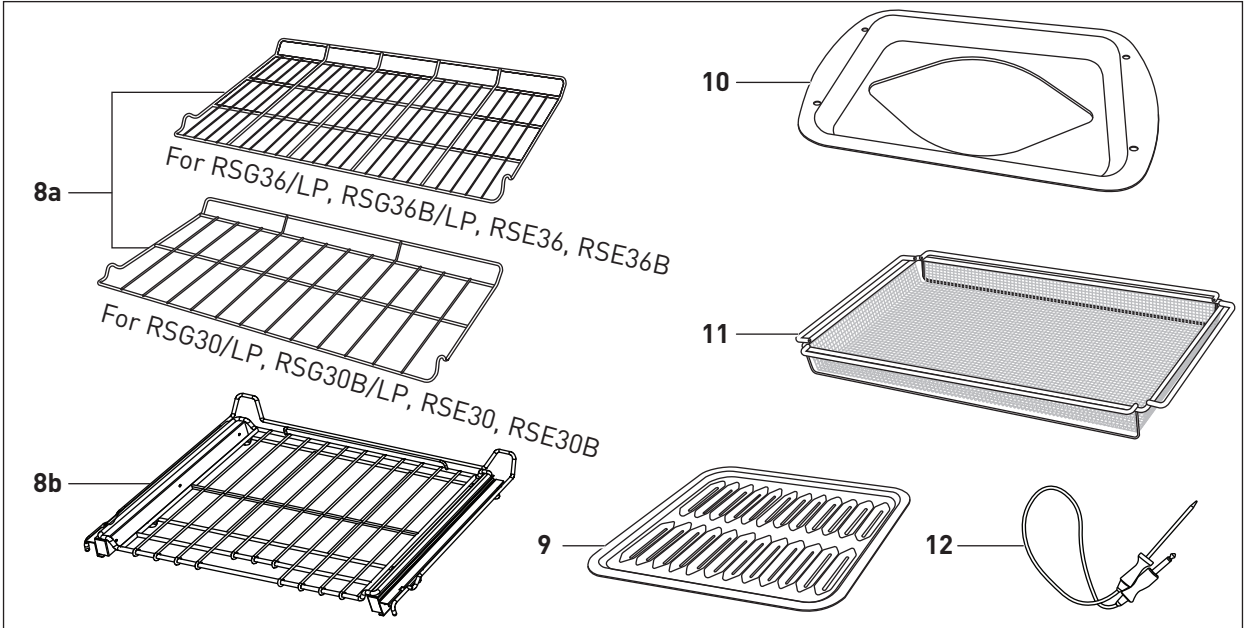
4	Anti-tip device x 1	5	Anti-tip device screw x 2
---	---------------------	---	---------------------------

Spacer kit



6	Spacer x 2	7	Spacer screw x 2
---	------------	---	------------------

Baking accessories

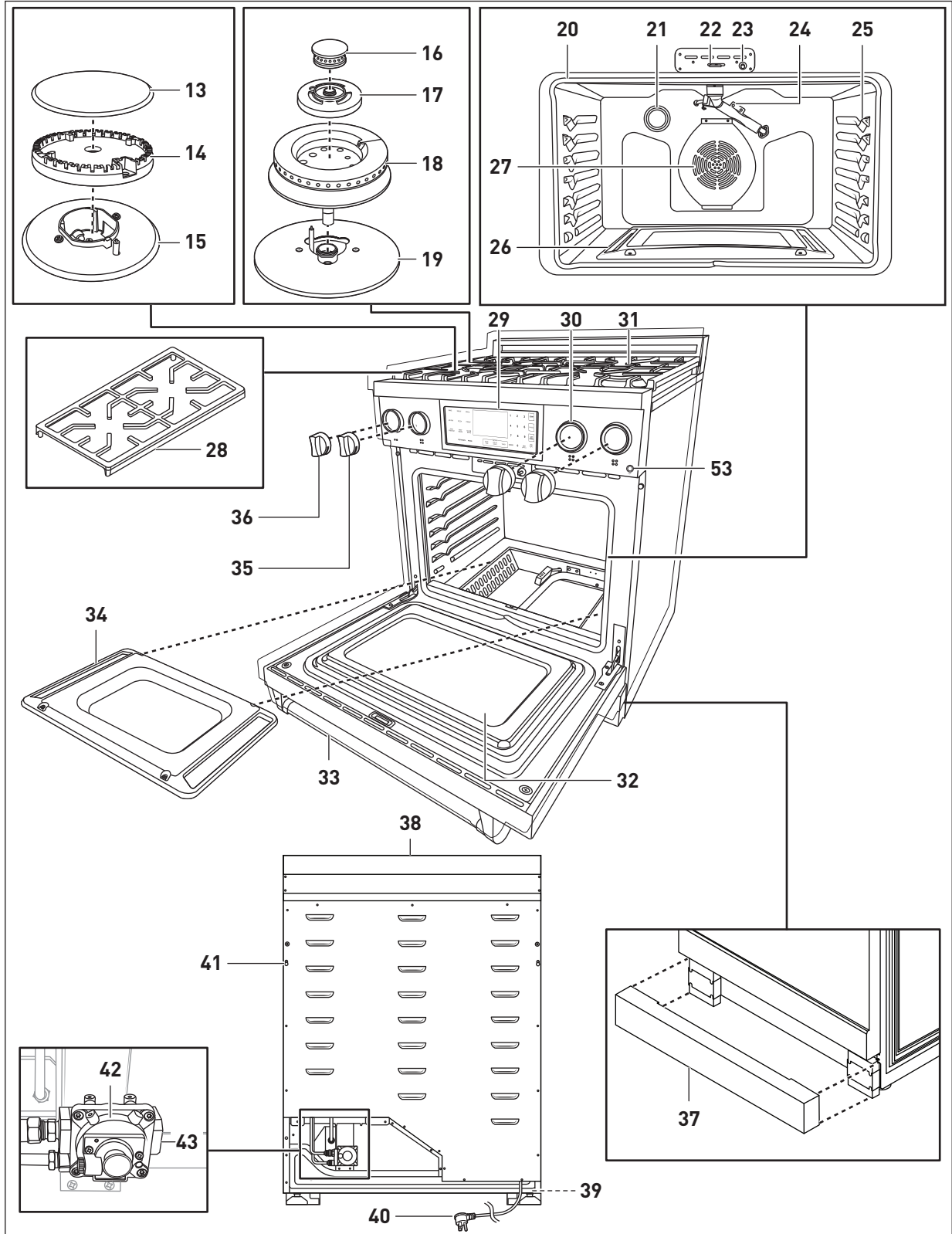


8a	Oven rack x 1	10	Broiler pan x 1
8b	Telescopic oven rack x 1	11	¹ Air fry basket x 1
9	Grid x 1	12	¹ Probe x 1

¹ Not included for RSG30/LP and RSG30B/LP

DELIVERY

RSG30/LP and RSG30B/LP overview

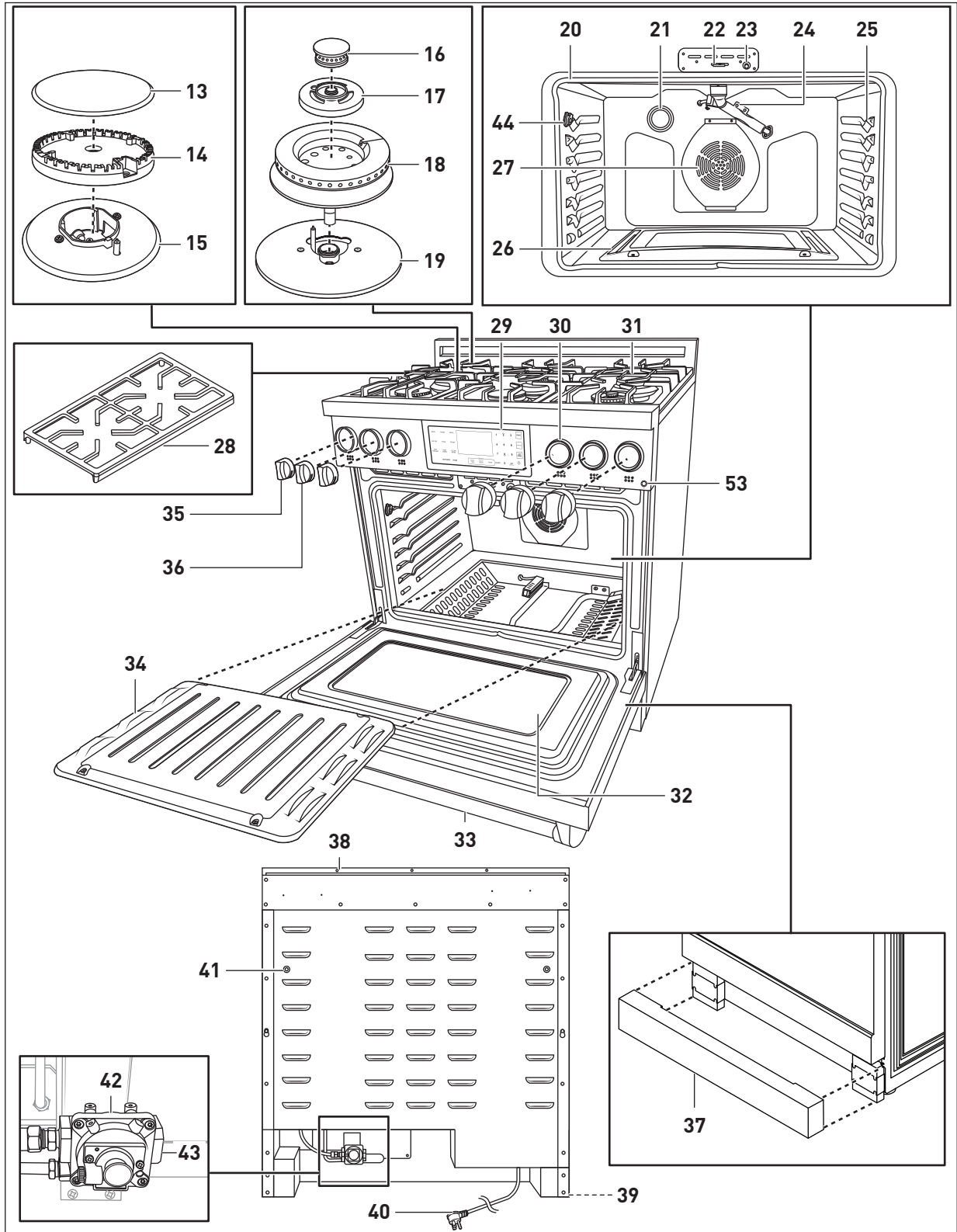


DELIVERY

13	Burner cap x 2	29	Control panel
14	Burner head x 2	30	Knob bezel x 4
15	Burner base	31	Cooktop
16	Dual burner cap with flame spreader x 2	32	Viewing window
17	Dual burner simmer ring x 2	33	Oven door
18	Dual burner lower flame spreader x 2	34	Oven bottom cover
19	Dual burner base	35	Dual burner knob x 2
20	Oven cavity	36	Burner knob x 2
21	Light	37	Kickplate
22	Oven door lock	38	Exhaust vent
23	Oven door sensor	39	Foot x 4
24	Broiler burner	40	Power cord with plug
25	Rack positions	41	Spacer holes
26	Bake burner	42	Pressure regulator
27	Convection fan	43	Gas inlet
28	Cast iron cooking grate x 2	53	Oven light button

DELIVERY

RSG36/LP and RSG36B/LP overview

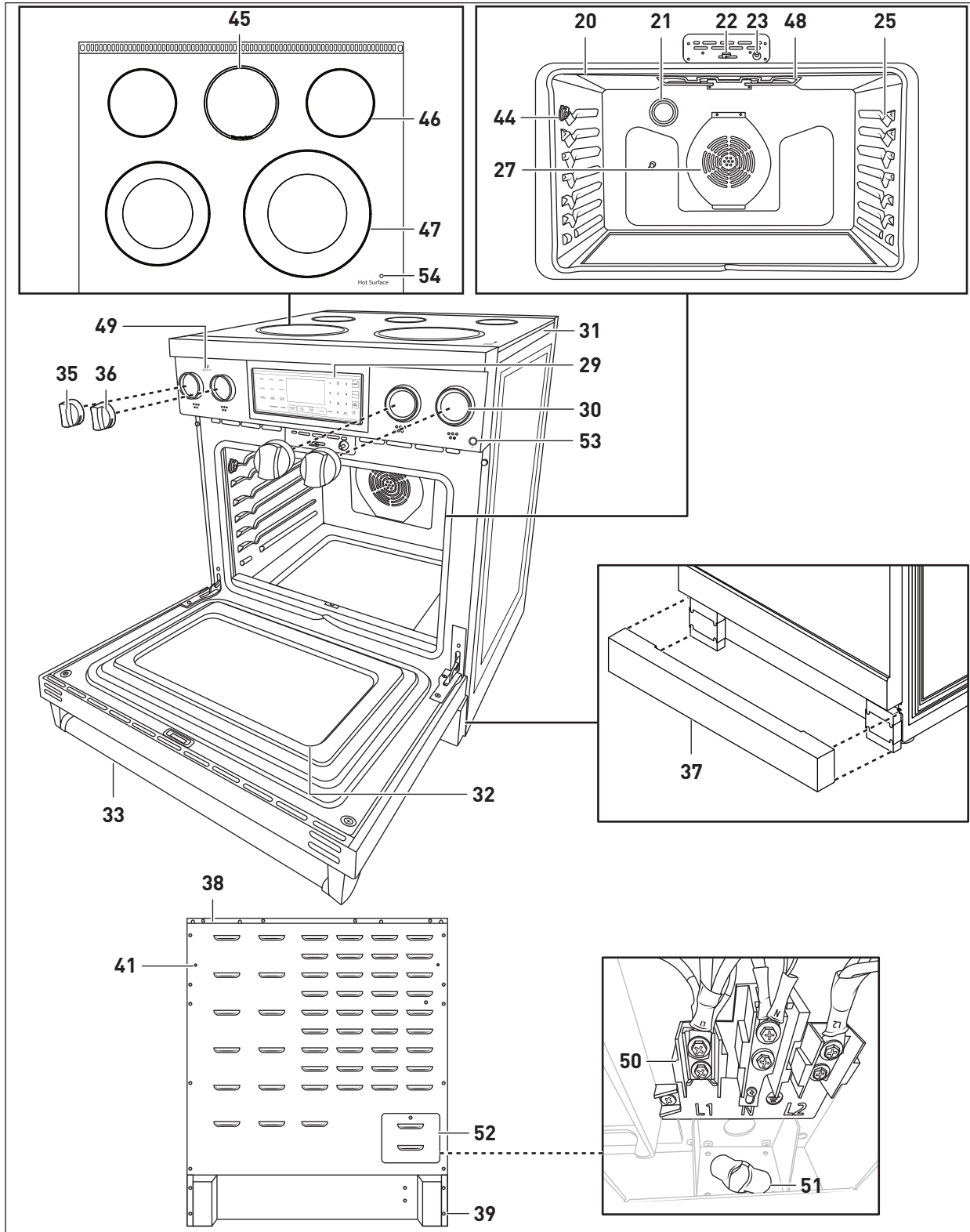


DELIVERY

13	Burner cap x 4	30	Knob bezel x 6
14	Burner head x 4	31	Cooktop
15	Burner base	32	Viewing window
16	Dual burner cap with flame spreader x 2	33	Oven door
17	Dual burner simmer ring x 2	34	Oven bottom cover
18	Dual burner lower flame spreader x 2	35	Dual burner knob x 2
19	Dual burner base	36	Burner knob x 4
20	Oven cavity	37	Kickplate
21	Light	38	Exhaust vent
22	Oven door lock	39	Foot x 4
23	Oven door sensor	40	Power cord with plug
24	Broiler burner	41	Spacer holes
25	Rack positions	42	Pressure regulator
26	Bake burner	43	Gas inlet
27	Convection fan	44	Probe port
28	Cast iron cooking grate x 3	53	Oven light button
29	Control panel	54	Hot surface indicator

DELIVERY

RSE30 and RSE30B overview

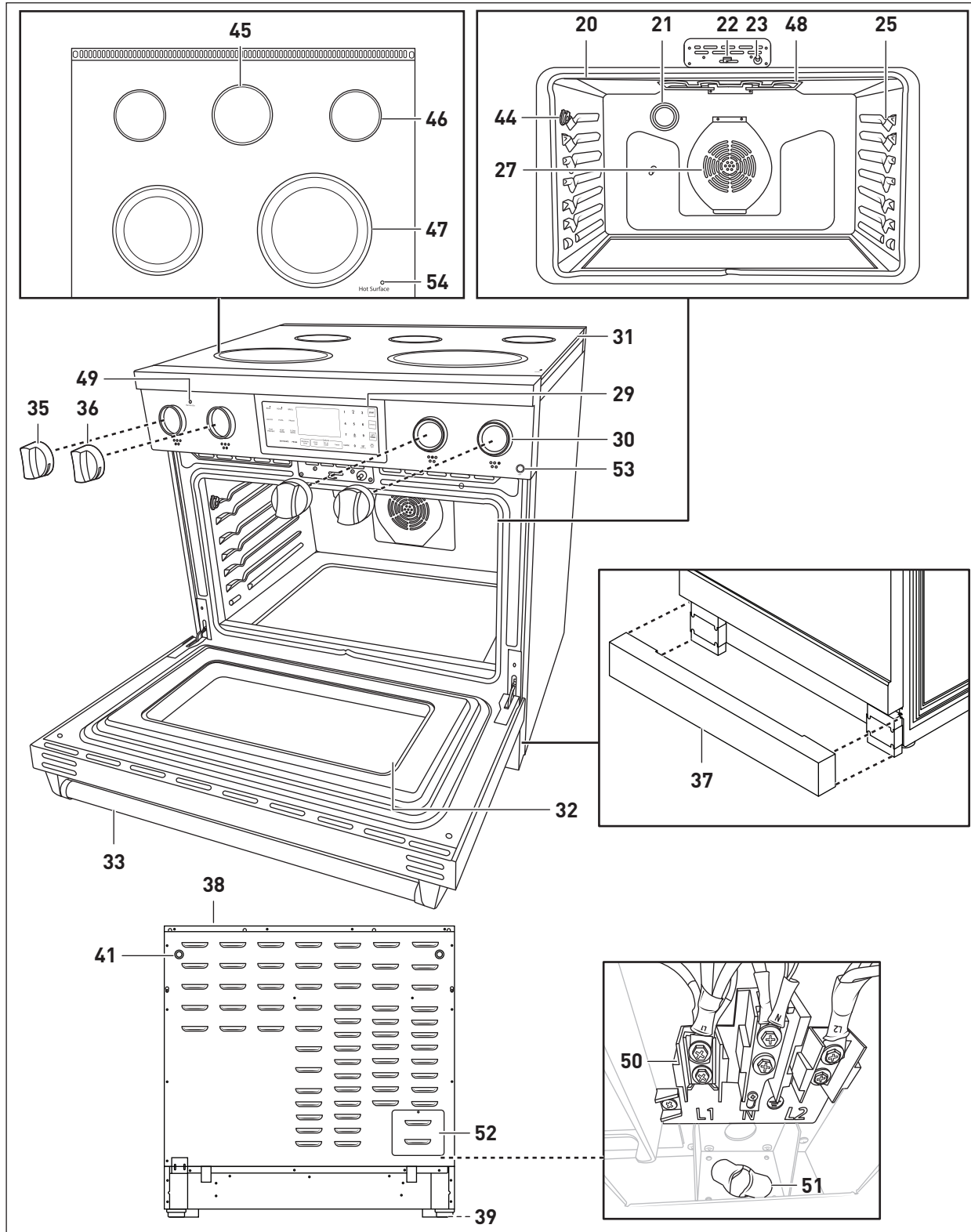


DELIVERY

20	Oven cavity	38	Exhaust vent
21	Light	39	Foot x 4
22	Oven door lock	41	Spacer holes
23	Oven door sensor	44	Probe port
25	Rack positions	45	Warning zone
27	Convection fan	46	Single cooking zone
29	Control panel	47	Dual cooking zone
30	Knob bezel x 4	48	Broil element
31	Cooktop	49	Burner On indicator
32	Viewing window	50	Terminal block
33	Oven door	51	Strain relief
35	Dual cooking zone knob x 2	52	Terminal block cover
36	Single cooking zone knob x 2	53	Oven light button
37	Kickplate	54	Hot surface indicator

DELIVERY

RSE36 and RSE36B overview



DELIVERY

20	Oven cavity	38	Exhaust vent
21	Light	39	Foot x 4
22	Oven door lock	41	Spacer holes
23	Oven door sensor	44	Probe port
25	Rack positions	45	Warning zone
27	Convection fan	46	Single cooking zone
29	Control panel	47	Dual cooking zone
30	Knob bezel x 6	48	Broil element
31	Cooktop	49	Burner On indicator
32	Viewing window	50	Terminal block
33	Oven door	51	Strain relief
35	Dual cooking zone knob x 2	52	Terminal block cover
36	Single cooking zone knob x 2	53	Oven light button
37	Kickplate	54	Hot surface indicator

INSTALLATION

3.1 Important note to the installer

- Read all installation instructions included in this manual before installing the appliance.
- Remove all packing materials from the appliance (see **chapter 2.1 Unpack**) before connecting it to the electric and/or gas supply.
- Adhere to all governing codes and ordinances during installation.
- Install the anti-tip device to the wall/floor (see **chapter 3.10 Install anti-tip device**). Verify the anti-tip device has been properly installed and engaged with the back of the appliance.
- Leave these instructions with the consumer for future reference.
- Important - Save for local electrical inspector's use.

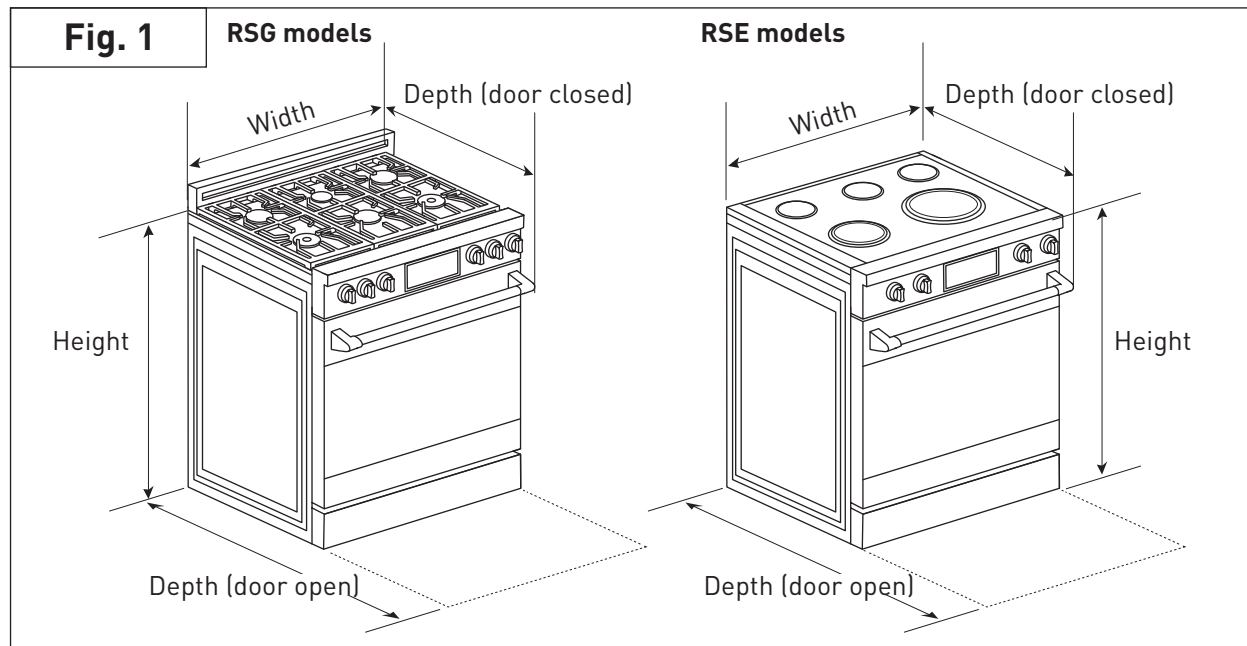
3.2 Clearances and dimensions

- Provide proper clearance between the appliance and adjacent combustible surfaces. These dimensions must be met for safe use of the appliance.
- The location of the electrical outlet and gas pipe opening may be adjusted to meet specific requirements.
- Seal any openings in the wall behind the appliance and in the floor under the appliance.
- If there is a cabinet above the appliance, install a noncombustible material on the bottom if that cabinet in accordance with local codes or, in the absence of local codes, with ANSI Z223.1/NFPA 54 or, in Canada, CSA B149.1.
- With the spacers installed, the appliance may be placed against the back wall.

DELIVERY

- To eliminate the risk of burns or fire by reaching over heated surface units, cabinet storage space located above the surface units should be avoided. If cabinet storage is to be provided, the risk can be reduced by installing a appliance hood that projects horizontally a minimum of 5" (12.7 mm) beyond the bottom of the cabinets.

Dimensions

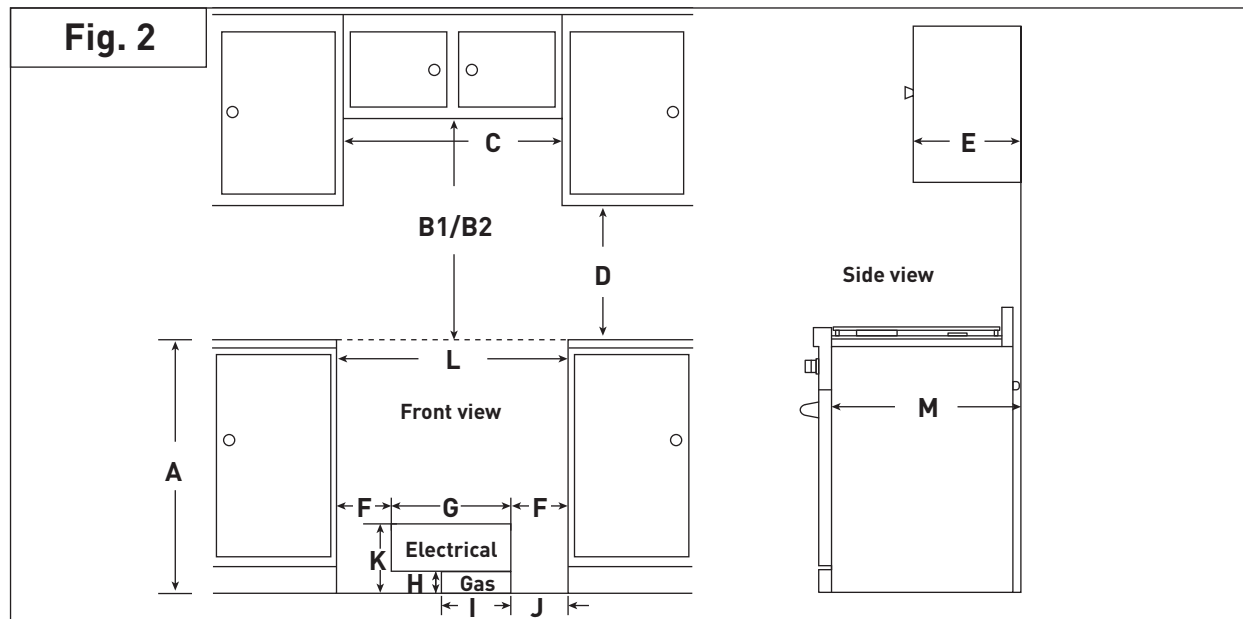


	RSG30/LP, RSG30B/LP	RSG36/LP, RSG36B/LP	RSE30, RSE30B	RSE36, RSE36B
Width	29 7/8" (75.9 cm)	35 7/8" (91.1 cm)	29 7/8" (91.1 cm)	29 7/8" (91.1 cm)
Depth (back panel to front of handle)	29" (73.6 cm)	29" (73.6 cm)	29" (73.6 cm)	29" (73.6 cm)
Depth (door open)	47 1/2" (120.6 cm)	47 1/2" (120.6 cm)	47 1/2" (120.6 cm)	47 1/2" (120.6 cm)
Height (from bottom to top of side panel) (± feet height)	36" ±1-3" (91.4 cm ±2.5-7.6 cm)	36" ±1-3" (91.4 cm ±2.5-7.6 cm)	36" ±1-3" (91.4 cm ±2.5-7.6 cm)	36" ±1-3" (91.4 cm ±2.5-7.6 cm)

INSTALLATION

Clearances

Clearances for cooktops (31) with a cabinet on top

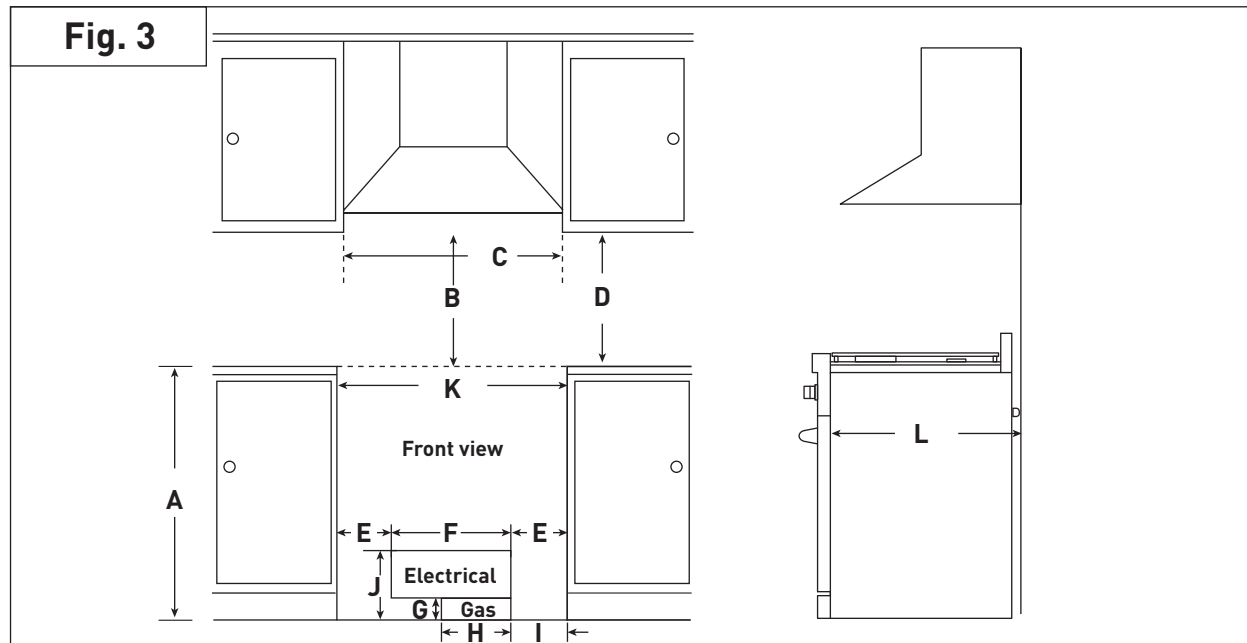


	RSG30/LP, RSG30B/LP	RSG36/LP, RSG36B/LP	RSE30, RSE30B	RSE36, RSE36B
A	36" (91.4 cm)			
B1	min 30" (76.2 cm)			
B2	min 24" (60.9 cm)			
C	30" (76.2 cm)	36" (91.4 cm)	30" (76.2 cm)	36" (91.4 cm)
D	18" (45.7 cm)			
E	13" (33 cm)			
F	5" (12.7 cm)			
G	20" (50.8 cm)	26" (66 cm)	20" (50.8 cm)	26" (66 cm)
H	2" (5.1 cm)		-	-
I	9" (22.9 cm)		-	-
J	5" (12.7 cm)		-	-
K	max 6" (15.24 cm)			
L	30" (76.2 cm)	36" (91.44 cm)	30" (76.2 cm)	36" (91.44 cm)
M	24 3/4" (62.8 cm)			

INSTALLATION

Legend	
A	Countertop height
B1	Minimum clearance above cooktop (31) for unprotected cabinet bottom
B2	Minimum clearance above cooktop (31) for protected cabinet bottom: Cabinet bottom has to be protected with no less than 6.4 mm thick flame retardant millboard covered with no less than No. 28 MSG sheet metal, 0.4 mm thick stainless steel, 0.6 mm thick aluminum or 0.5 mm thick copper.
C	Width of cabinet above cooktop (31)
D	Clearance between cabinets and countertops
E	Cabinet depth
F	Clearance of the electrical component area from the side of the cabinet
G	Width of the electrical component area
H	Height of the gas connection area
I	Width of the gas connection area
J	Clearance of the gas connection area from the side of the cabinet
K	Recommended height of the electrical component area
L	Width of countertop cutout
M	Depth of countertop cutout

Clearances for cooktops (31) with a hood on top



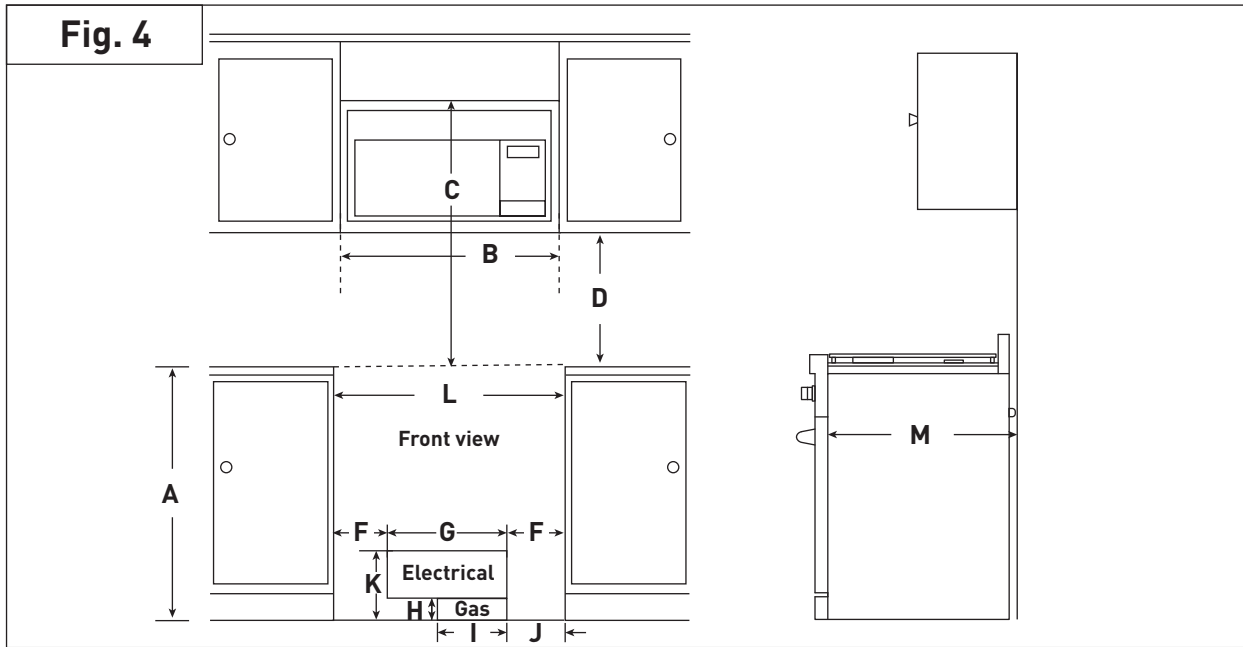
INSTALLATION

	RSG30/LP, RSG30B/LP	RSG36/LP, RSG36B/LP	RSE30, RSE30B	RSE36, RSE36B
A	36" (91.4 cm)			
B	min 30" (76.2 cm)			
C	30" (76.2 cm)	36" (91.4 cm)	30" (76.2 cm)	36" (91.4 cm)
D	18" (45.7 cm)			
E	5" (12.7 cm)			
F	20" (50.8 cm)	26" (66 cm)	20" (50.8 cm)	26" (66 cm)
G	2" (5.1 cm)		-	-
H	9" (22.9 cm)		-	-
I	5" (12.7 cm)		-	-
J	max 6" (15.24 cm)			
K	30" (76.2 cm)	36" (91.44 cm)	30" (76.2 cm)	36" (91.44 cm)
L	24 3/4" (62.8 cm)			

Legend	
A	Countertop height
B	Minimum clearance above cooktop (31)
C	Width of hood above cooktop (31)
D	Clearance between cabinets and countertops
E	Clearance of the electrical component area from the side of the cabinet
F	Width of the electrical component area
G	Height of the gas connection area
H	Width of the gas connection area
I	Clearance of the gas connection area from the side of the cabinet
J	Recommended height of the electrical component area
K	Width of countertop cutout
L	Depth of countertop cutout

INSTALLATION

Clearances for cooktops (31) with an over-the-range microwave



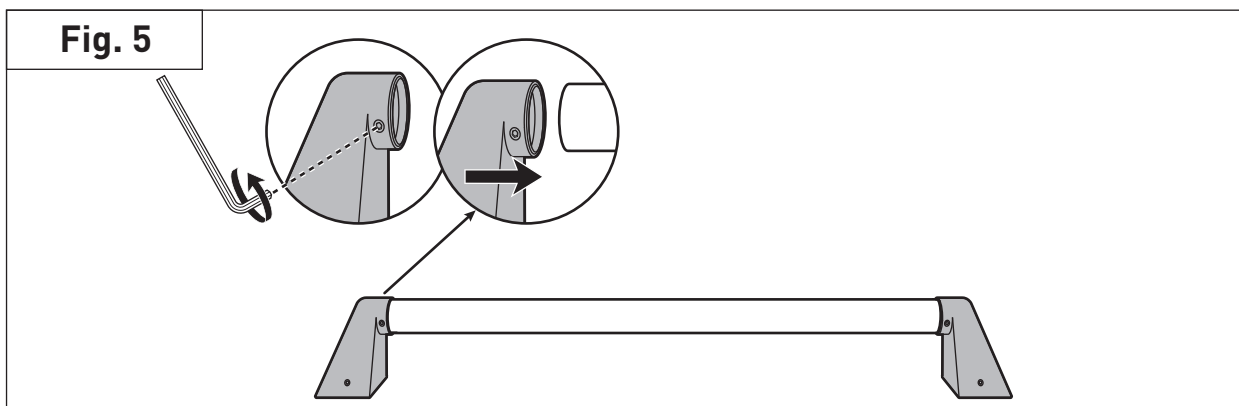
	RSG30/LP, RSG30B/LP, RSE30B and RSE30
A	36" (91.4 cm)
B	min 30" (76.2 cm)
C	30" (76.2 cm)
D	18" (45.7 cm)
F	5" (12.7 cm)
G	20" (50.8 cm)
H	2" (5.1 cm)
I	9" (22.9 cm)
J	5" (12.7 cm)
K	max 6" (15.24 cm)
L	30" (76.2 cm)
M	24 3/4" (62.8 cm)

INSTALLATION

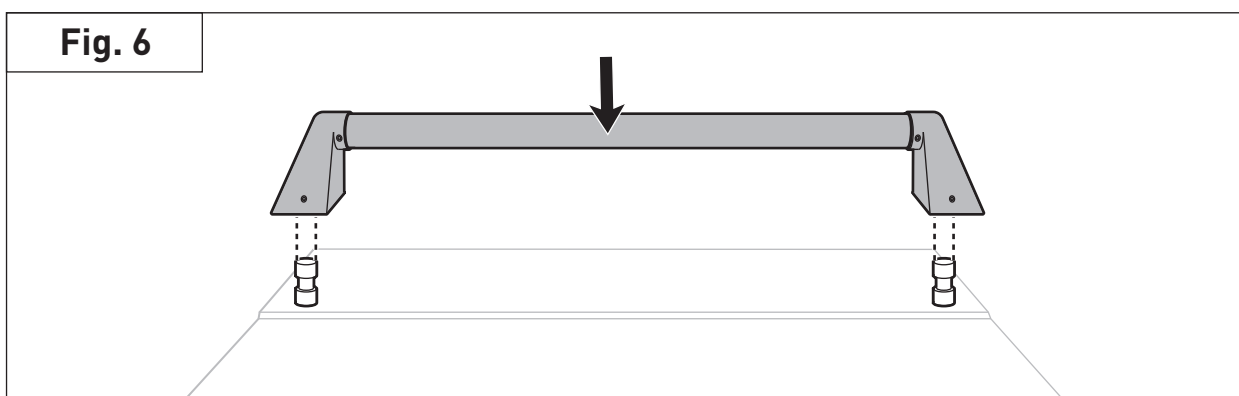
Legend	
A	Countertop height
B	Width of over-the-range microwave
C	From cooktop (31) to top of over-the-range microwave
D	Clearance between cabinets and countertops
F	Clearance of the electrical component area from the side of the cabinet
G	Width of the electrical component area
H	Height of the gas connection area
I	Width of the gas connection area
J	Clearance of the gas connection area from the side of the cabinet
K	Recommended height of the electrical component area
L	Width of countertop cutout
M	Depth of countertop cutout

3.3 Install the handle

1. Attach door side brackets [2] to both ends of the door handle [1] (Fig. 5).

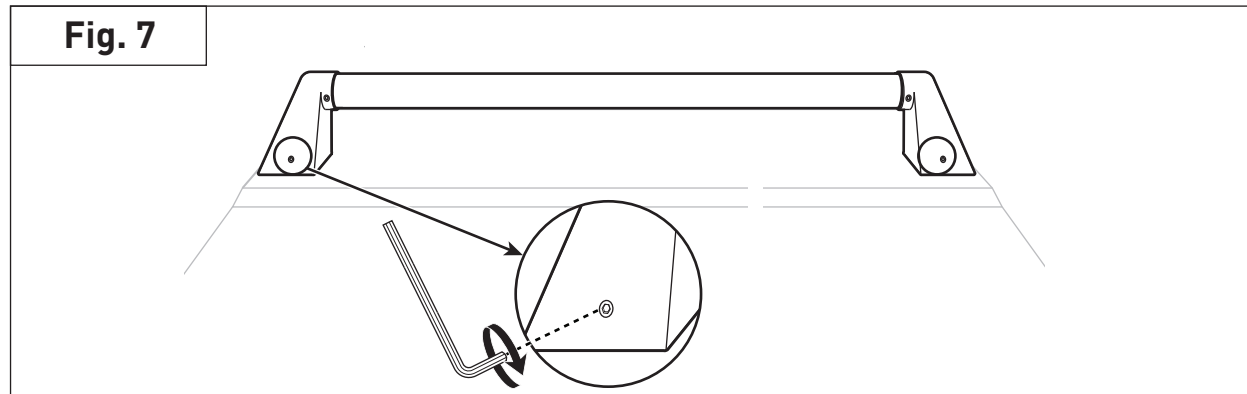


2. Place the assembled door handle [1] onto the door pins on the oven door [33] (Fig. 6).



INSTALLATION

3. Tighten the pre-installed screws on the door side brackets (2) with the hex key (3) (Fig. 7). Do not overtighten the screws.



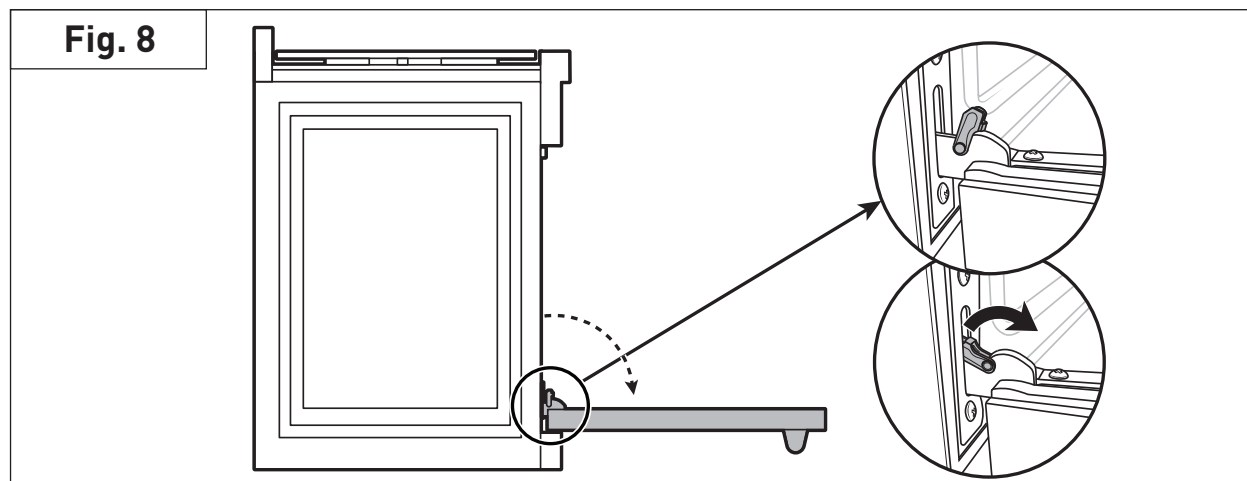
3.4 Attach/detach the oven door

NOTICE The oven door (33) has multiple colors available (sold separately). Visit Thor kitchen website for further details.

- The oven door (33) may be too big or heavy. It is recommended to have 2 people work together for attaching/detaching the oven door.
- Do not carry or hold the removed oven door (33) by the door handle. It cannot support the weight of the oven door (33).

Detach

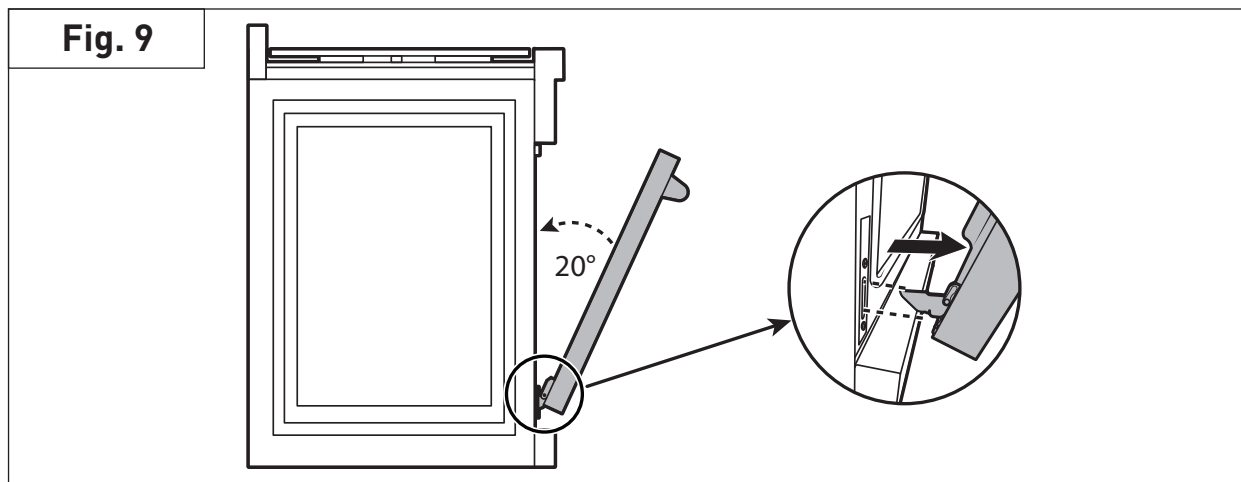
1. Fully open the oven door (33).
2. Unlock the hinge lock on both sides by rotating them fully towards the oven door (33) (Fig. 8).



3. Firmly grasp both sides on the oven door (33).

INSTALLATION

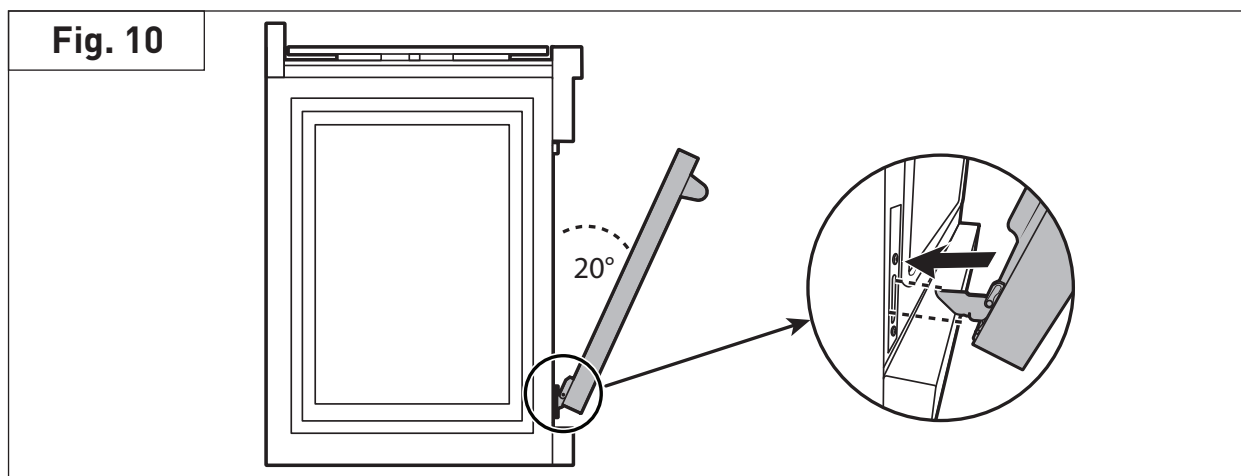
4. Close the oven door [33] until it is approximately at a 20° angle (Fig. 9). When the oven door [33] is at the correct angle position, the hinges arms release from the appliance.



5. Take out the oven door [33] by lifting it upwards and outwards.

Attach

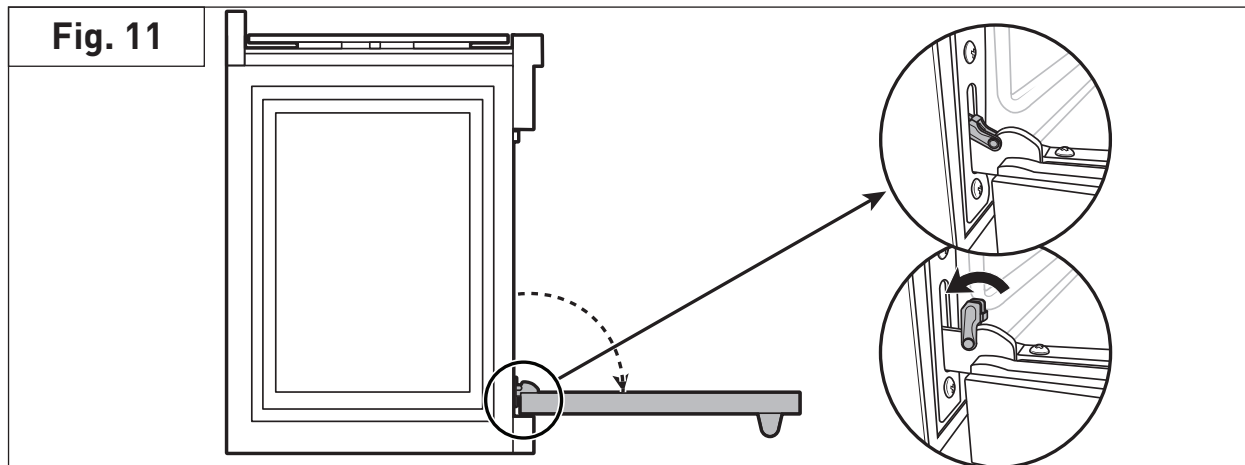
1. Firmly grasp both sides on the oven door [33].
2. With the door at the same 20° angle as the detach position, slide the hinge arms into the bottom edge of the hinge slots on the appliance (Fig.10).



3. The notch in the hinge arms must be fully inserted into the bottom edge of the slots.
4. Open the door fully. If the door does not open fully, the hinge arms are not inserted correctly in the bottom edge of the hinge slots.

INSTALLATION

5. Re-engage the hinge locks, rotating them back toward the slots in the oven (Fig.11).



6. Close the oven door (33).

3.5 Attach/detach the kickplate

NOTICE The kickplate (37) has multiple colors available (sold separately). Visit Thor kitchen website for further details.

Detach

1. Tilt the kickplate (37) backwards to release it from the magnets (Fig. 12).
2. Lift the kickplate (37) upwards to unhook it from the sides (Fig. 12).



INSTALLATION

Attach

1. At a tilted angle, hook the kickplate (37) to the slits on both sides of the appliance (Fig. 13).
2. Rotate the kickplate (37) upwards, the magnets snap it into place (Fig. 13).

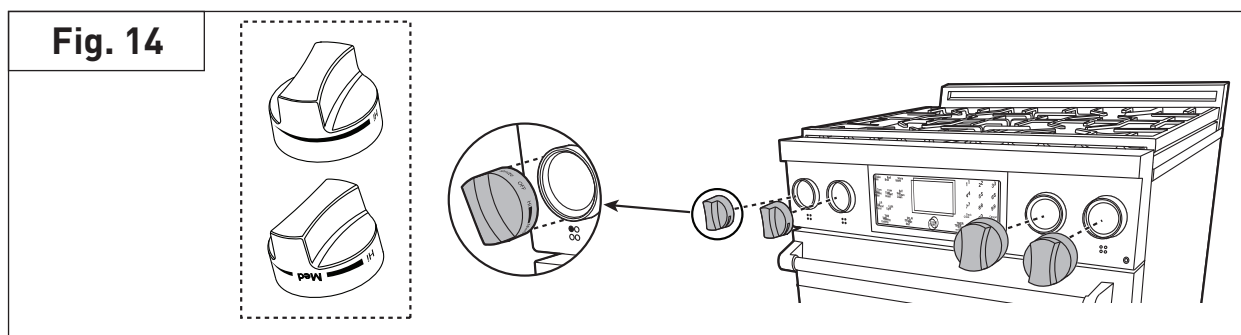


3.6 Install the burner knobs

There are markings located on the control panel (29) to show which knob bezel (30) corresponds to which burner base (15/19)/burner ring (46/47) on the cooktop (31).

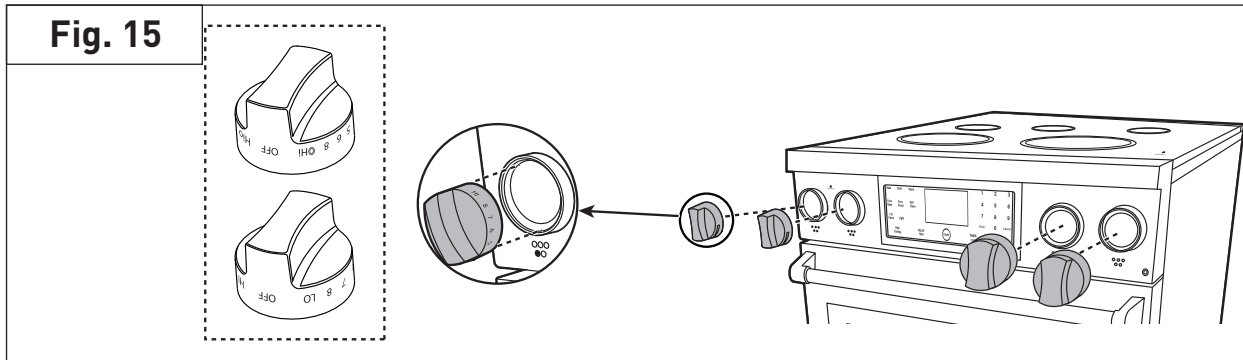
1. Match the knobs (35/36) into its corresponding knob bezels (30) (Fig. 14/15).

Gas models (RSG30/LP, RSG36/LP, RSG30B/LP and RSG36B/LP only)



INSTALLATION

Electrical models (RSE30, RSE36, RSE30B and RSE36B only)



2. Push the knobs (35/36) in fully. Make sure there is no friction between the knobs (35/36) and the bezel around them.

3.7 Installation for gas models (RSG30/LP, RSG36/LP, RSG30B/LP and RSG36B/LP only)

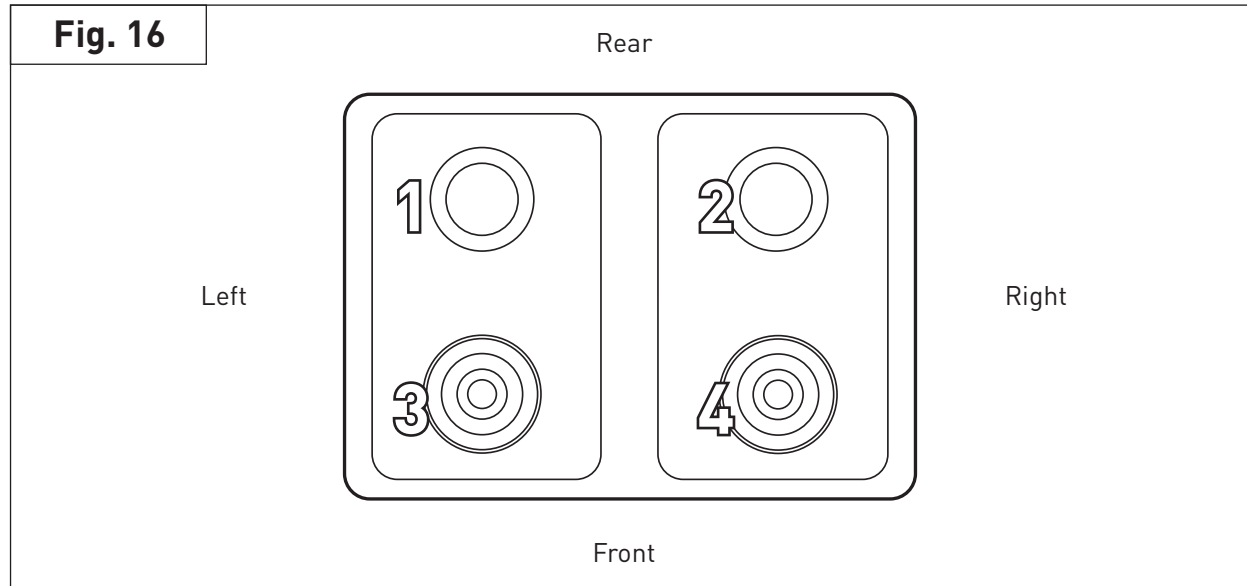
NG to LP gas conversion (RSG30/LP, RSG36/LP, RSG30B/LP and RSG36B/LP only)

The appliance is configured for use with NG gas as default. To convert the NG gas configuration to LP gas configuration, contact the local certified gas technician to complete the conversion. The LP conversion number for RSG models are:

- RSG30/B: LPKRSG30
- RSG36/B: LPKRSG36

INSTALLATION

For RSG30/LP and RSG30B/LP:

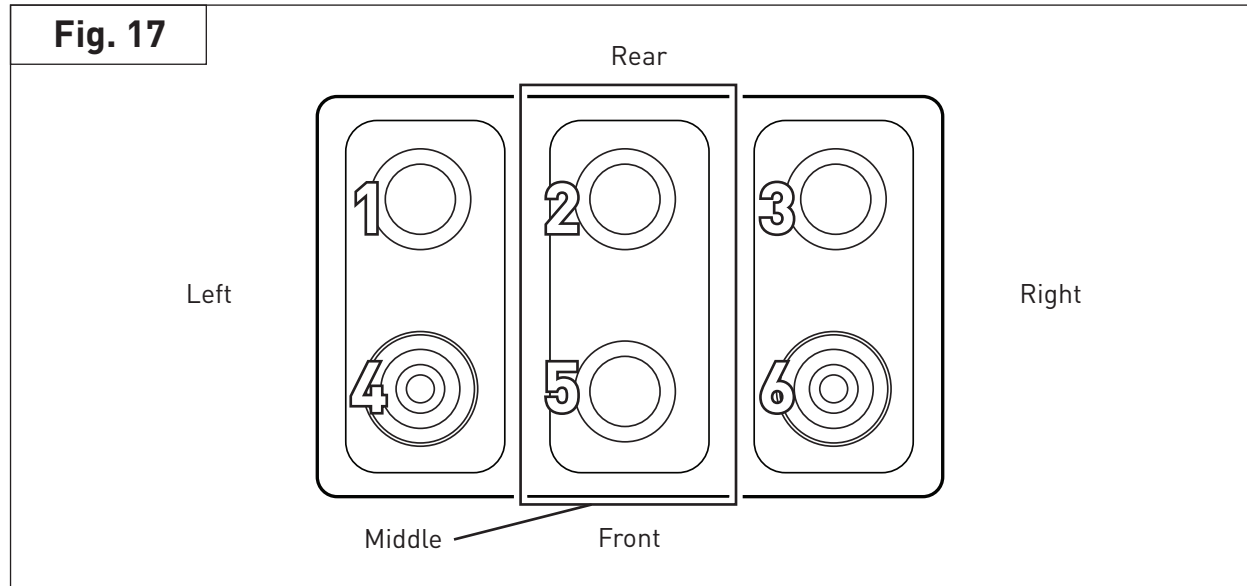


NG configuration			
	Burner location	BTU	Orifice size (mm)
1	Rear left	12000	1.50
2	Rear right	12000	1.50
3	Front left	15000	1.65
	Front left (small nozzle)	-	0.38
4	Front right	15000	1.65
	Front right (small nozzle)	-	0.38
-	Broiler	10000	1.32
-	Oven	185000	1.9

LP configuration			
	Burner location	BTU	Orifice size (mm)
1	Left rear	12000	1.07
2	Right rear	12000	1.07
3	Front left	15000	1.00
	Front left (small nozzle)	-	0.34
4	Front right	15000	1.00
	Front right (small nozzle)	-	0.34
-	Broiler	10000	1.05
-	Oven	18500	1.33

INSTALLATION

For RSG36/LP and RSG36B/LP:



NG configuration			
Burner location		BTU	Orifice size (mm)
1	Rear left	12000	1.5
2	Rear middle	6000	1.06
3	Rear right	12000	1.5
4	Front right	15000	1.65
	Front right (simmer)	-	0.38
5	Front middle	18000	1.88
6	Front left	15000	1.65
	Front left (simmer)	-	0.38
-	Broiler	13500	1.62
-	Oven	22000	2.18

LP configuration			
Burner location		BTU	Orifice size (mm)
1	Rear left	12000	1
2	Rear middle	6000	0.6
3	Rear right	12000	1
4	Front right	15000	1.07
	Front right (simmer)	-	0.34
5	Front middle	18000	1.24
6	Front left	15000	1.07
	Front left (simmer)	-	0.34
-	Broiler	13500	1.05
-	Oven	22000	1.33

INSTALLATION

Connect to a gas supply (RSG30/LP, RSG36/LP, RSG30B/LP and RSG36B/LP only)

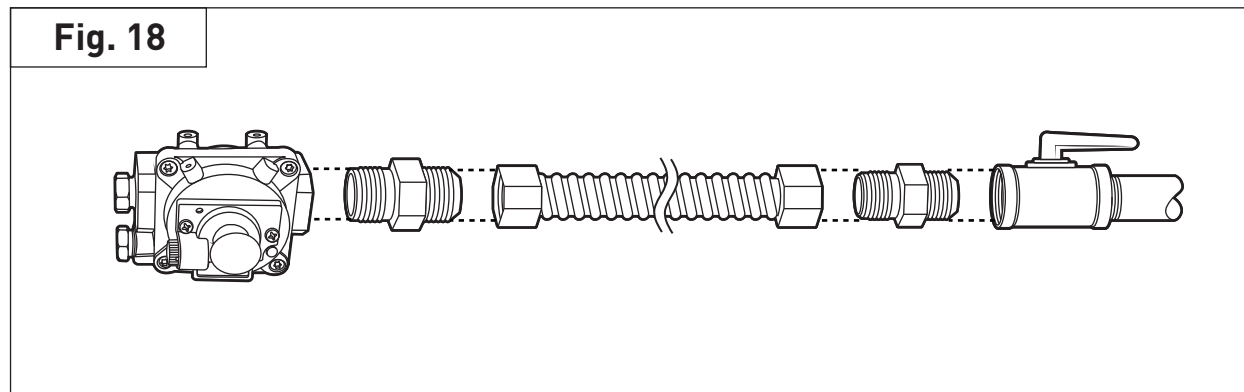
- A manual shut-off valve has to be installed in an accessible location in the gas piping external to the appliance for the purpose of turning on or shutting off the gas supply to the appliance.
- During any pressure testing of the gas supply piping system at a test pressure equal to or less than 1/2 psi (3.5 kPa), isolate the appliance from the building's gas supply piping system by closing its individual manual shut-off valve.

Equipment required

- Cross-head screwdriver
- Flat-head screwdriver
- Pencil
- Measuring tape
- Adjustable wrench
- Pipe wrench x 2
- Spirit level
- Gas line shut-off valve
- Flex gas line rated for NG/LP (1/2" (1.2 mm) NPT x 1/2" (1.2 mm) I.D.) Must use a new flex gas line when installing a new appliance.
- Flare fitting for connection to gas supply line (1/2" (1.2 mm) NPT x 1/2" (1.2 mm) I.D.)
- Flare fitting for connection to pressure regulator on appliance (1/2" (1.2 mm) NPT x 1/2" (1.2 mm) I.D.)
- Liquid gas leak detector

Connect to gas supply

1. Must include a shut-off valve: Install a manual gas line shut-off valve in an easily accessible location. Do not block access to shut-off valve.
2. Connect the male pipe thread end of the 1/2" flare fitting adapter to the NPT of the pressure regulator inlet (42) (Fig. 18).



3. Install a male 1/2" flare fitting to the NPT internal thread of the manual shut-off valve (Fig. 16).
4. Check the gas supply pressure required for the regulator setting:

	LP (Liquid Propane) in wc	NG (Natural gas) in wc
Appliance pressure regulator setting for outlet pressure	10.0	5.0

5. Connect the flex gas line to the gas inlet (43) on the appliance and to the shut-off valve, positioning the appliance to allow for connection.

INSTALLATION

6. After making all necessary connections, conduct a leak test of the appliance according to the manufacturer's instructions (see the following chapter).

Gas leak test (RSG30/LP, RSG36/LP, RSG30B/LP and RSG36B/LP only)

- Leak testing of the appliance shall be conducted in accordance with these instructions.
1. Ensure that all appliance burner knobs (35/36) are in the off position, and then turn on the main gas supply valve.
 2. Use a liquid gas leak detector to check all gas connection joints and fittings for leaks in the system. Gas leaks may not be detected by smell alone. Never use an open flame to check for gas leaks.
 3. Wipe off the liquid gas leak detector after the test.

3.8 Electrical connection for gas range (RSG30/LP, RSG36/LP, RSG30B/LP and RSG36B/LP only)

- This appliance must be supplied with the proper voltage and frequency, and connected to an individual properly grounded branch circuit, protected by a circuit breaker or fuse having amperage as specified on the rating label. The rating label is located on the right of the oven door (33).
- The outlet for the appliance should be located within the range of the appliance's power cord. Do not use an extension cord with this appliance.
- If the electrical service provided does not meet the above specifications, have a licensed electrician install an approved outlet.
- It is recommended to have the electrical wiring and hookup of the appliance connected by a qualified electrician. After installation, have the electrician explain where and how to locate and disconnect the appliance from power.

⚠ WARNING

Electrical Grounding Instructions

This appliance is equipped with a three-prong grounding plug for your protection against shock hazard and should be plugged directly into a properly grounded outlet. Do not cut or remove the grounding prong from this plug.

Connect the plug

1. Check that all burner knobs (35/36) are at the OFF position.
2. Connect the plug (40) to a suitable outlet. The control panel (29) flashes once and a beep tone plays.

3.9 Electrical connection for electric range (RSE30, RSE36, RSE30B and RSE36B only)

- This appliance must be supplied with the proper voltage and frequency, and connected to an individual properly grounded branch circuit, protected by a circuit breaker or fuse having amperage as specified on the rating label. The rating label is located on the right of the oven door (33).
- This appliance is manufactured ready to be installed with a single phase 4-wire power supply cord rated at 240 Volt, 50 Amps, rated at 194 °F (90 °C).
- This appliance can only be plugged into a standard 14-50R wall receptacle, Be sure the wall receptacle is within reach of range's final location.
- It is recommended to electrically ground the appliance during installation in accordance with local codes or, in the absence of local codes, with NFPA 70 or CSA C22.1.
- If the electrical service provided does not meet the above specifications, have a licensed electrician install an approved outlet.
- It is recommended to have the electrical wiring and hookup of the appliance connected by a qualified electrician. After installation, have the electrician explain where and how to locate and disconnect the appliance from power.
- Effective January 1, 1996, the National Electrical Code requires that new constructions (not pre-existing) utilize a 4-conductor connection with an electric appliance. When installing an electric appliance in new construction, follow the **4-wire connection** section of this chapter.
- The outlet for the appliance should be located within the range of the appliance's power cord. Do not use an extension cord with this appliance.

Equipment required

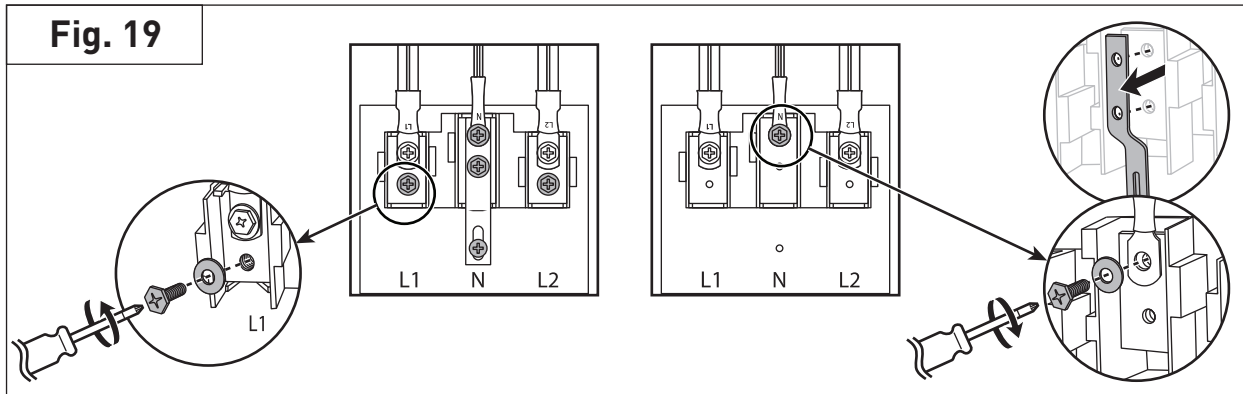
- Cross-head screwdriver
- 3 or 4 prong UL or CSA International Certified power cord (rated at 240 Volt, 50 Amps)

4-wire connection

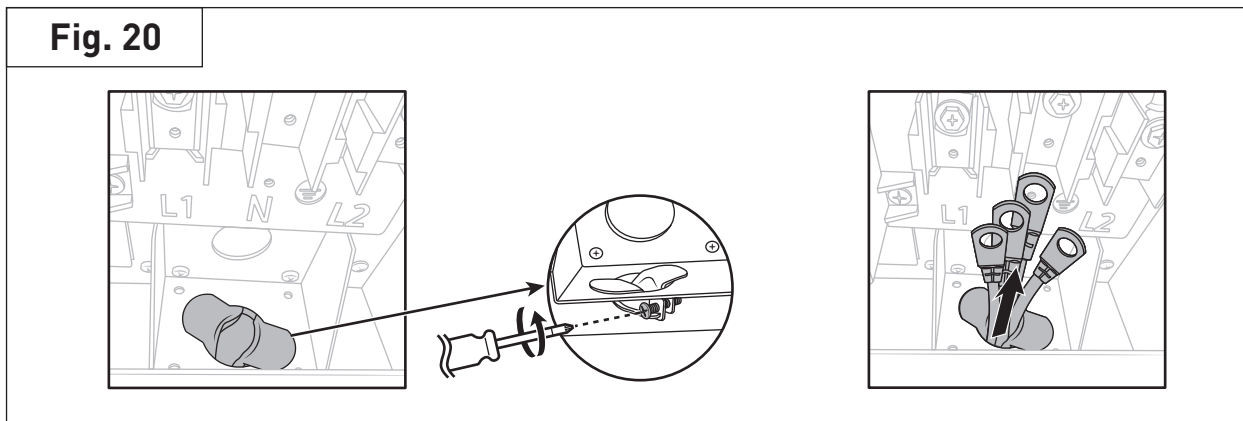
1. Loosen the screws on the terminal block cover (52) and set the screws aside for later use.
2. Identify the corresponding terminals on the terminal block (50) for each power cord wire: live (L1), live (L2), neutral (N), and ground (G).

INSTALLATION

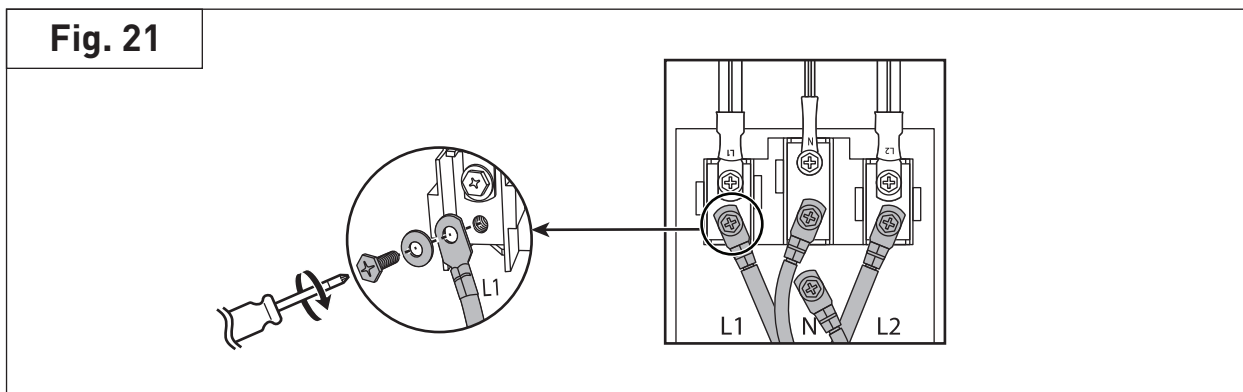
3. Remove the 4 lower terminal screws from the terminal block (50) (Fig. 19).



4. Remove the 2 upper screws of the neutral (N) terminal and take out the grounding strip (Fig. 19).
5. Re-tighten the 2 upper screws of the neutral (N) terminal (Fig. 19).



6. Loosen the screws on the strain relief (51) (Fig. 20).
7. Extend the power cord wire upwards through the strain relief (51) from the bottom of the back panel (Fig. 20).
8. Hook the ring terminals of the power cord wire into their designated terminals on the terminal block (50) (e.g., live 1/2, neutral, and ground) and tighten the screws securely (Fig. 21).

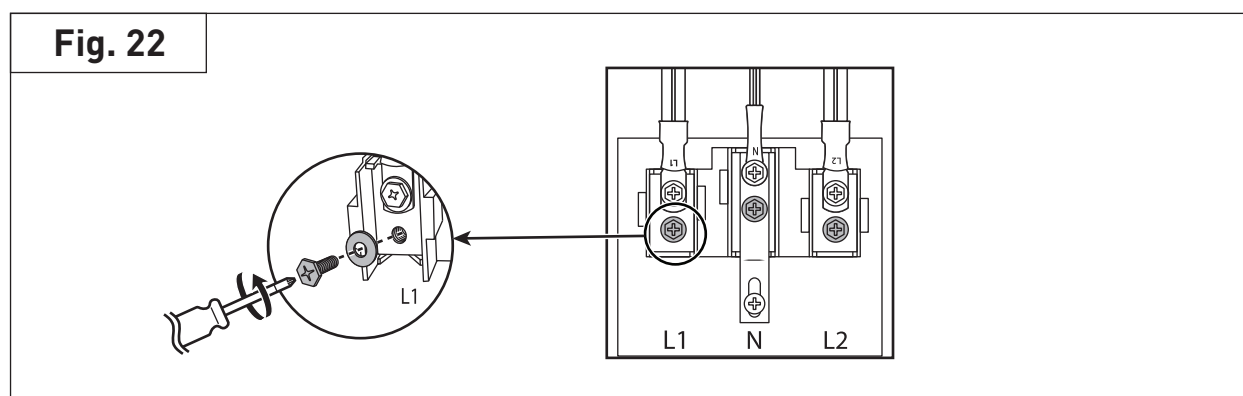


INSTALLATION

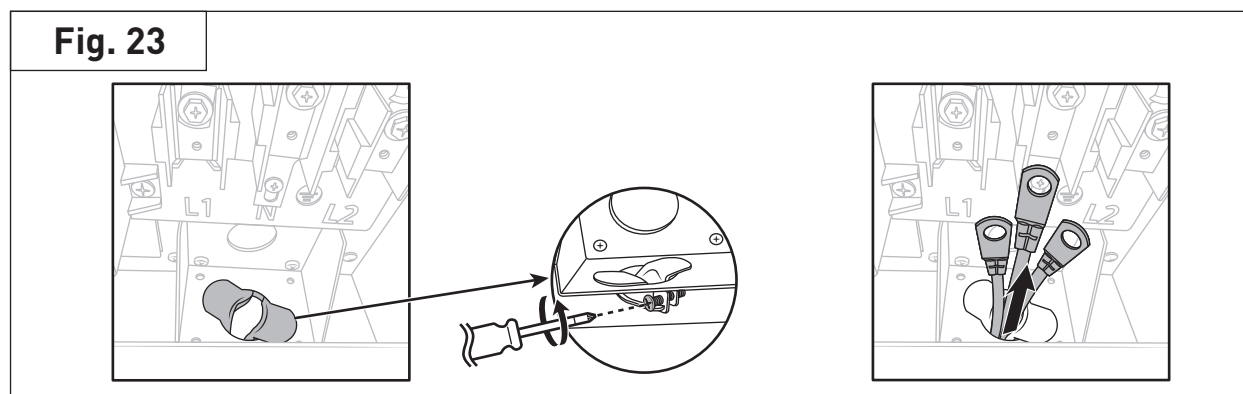
9. Ensure the ring terminals have good contact with the terminals on the terminal block (50).
10. Slightly push the power cord upwards to leave some slack above the strain relief (51), then tighten the screws on the strain relief (51).
11. Reinstall the terminal block cover (52) and re-tighten the screws.

3-wire connection

1. Loosen the screws on the terminal block cover (52) and set the screws aside for later use.
2. Identify the corresponding terminals on the terminal block (50) for each power cord wire: live (L1), live (L2), and neutral (N).
3. Remove the 3 lower terminal screws (L1, L2, and N) from the terminal block (50) (Fig. 22).



4. Loosen the screws on the strain relief (51) (Fig. 23).

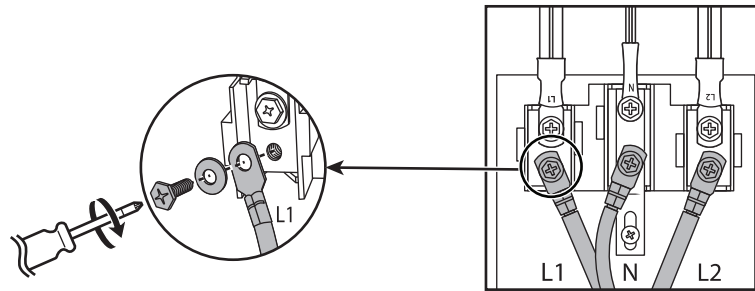


5. Extend the power cord wire upwards through the strain relief (51) from the bottom of the back panel.

INSTALLATION

- Hook the ring terminals of the power cord wire into their designated terminals on the terminal block (50) (live 1/2 and neutral) and tighten the screws securely (Fig. 24).

Fig. 24



- Ensure the ring terminals have good contact with the terminals on the terminal block (50).
- Slightly push the power cord upwards to leave some slack above the strain relief (51), then tighten the screws on the strain relief (51).
- Reinstall the terminal block cover (52) and re-tighten the screws.

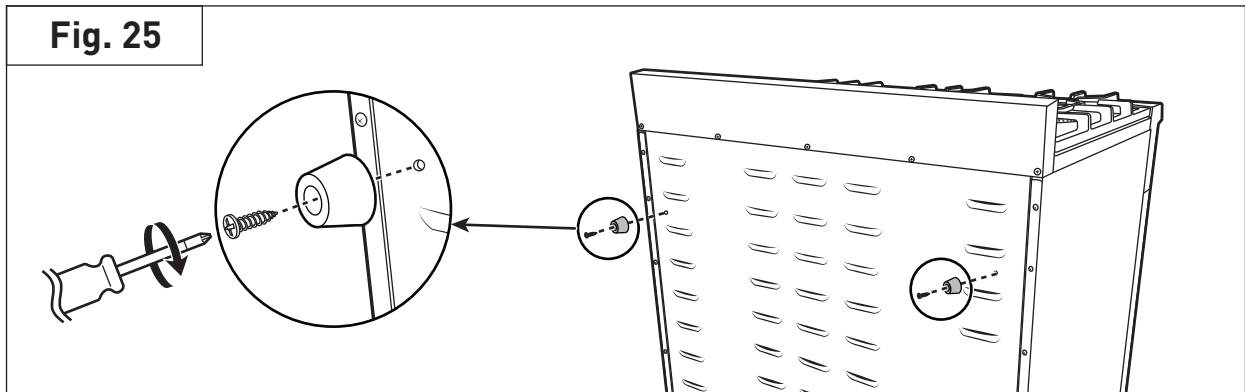
Connect the plug

- Check that all burner knobs (35/36) are at the OFF position.
- Connect the plug to a suitable outlet. The control panel (29) flashes once and a beep tone plays.

3.10 Install the back spacers

- Locate the 2 spacer holes (41) at the back of the appliance (Fig. 25).
- Attach the spacers (6) with the spacer screws (7) (Fig. 25).

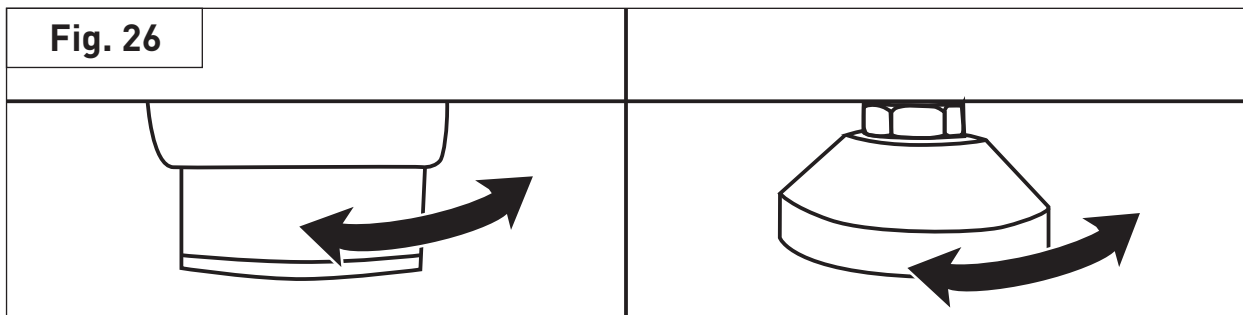
Fig. 25



INSTALLATION

3.11 Move and level the appliance

- It is recommended to use a furniture dolly when moving the appliance to prevent damaging the floor.
 - If the appliance is too heavy, it is possible to remove the oven door (33) before moving the appliance.
 - The appliance must be installed by a professional to ensure that the appliance is level. Improper installation or failure to adjust the level may cause the telescopic rack (8b) to slide out naturally due to tilt and cause personal injury.
1. Adjust the height of the appliance to fit the countertops following the clearances information provided in **chapter 3.2 Clearances and dimensions**.
 2. Rotate the feet (39) clockwise to increase the height of the feet (39) (Fig. 26).
 3. Rotate the feet (39) counter-clockwise to decrease the length of the feet (39) (Fig. 26).



4. Use a spirit level to check for adjustments. Place the spirit level on the oven rack (8) for more accuracy.

3.12 Install anti-tip device

⚠ WARNING Risk of injury!

- A child or adult can tip the appliance and be killed.
- Install the anti-tip device to the wall/floor. Verify the anti-tip device has been properly installed and engaged with the back of the appliance.
- Engage the appliance to the anti-tip device (4) by pushing the appliance all the way into the installation location. Ensure the anti-tip device (4) is re-engaged when the appliance is moved.
- Re-engage the anti-tip device (4) if the appliance is moved. Do not operate the appliance without the anti-tip device (4) in place and engaged.
- See installation instructions for details.
- Failure to do so can result in death or serious burns to children or adults.
- Even after the anti-tip device (4) is installed, do not step, lean or sit on the oven door (33) or place any heavy objects on it.

CAUTION Risk of damage! Do not drill into any pipes or power lines beneath the surface while preparing the mounting holes for the anti-tip device (4). Use a voltage/metal detector before drilling any holes to eliminate any such potential risks.

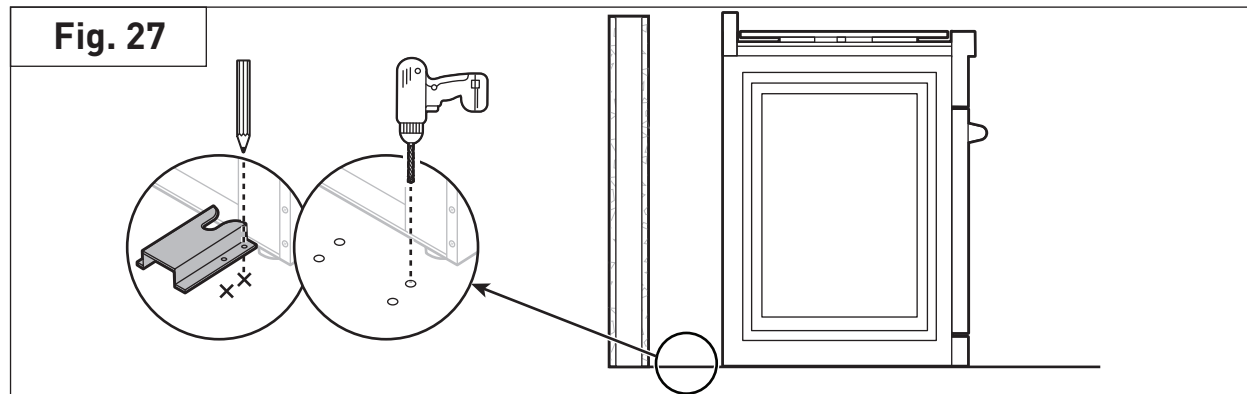
INSTALLATION

Equipment required

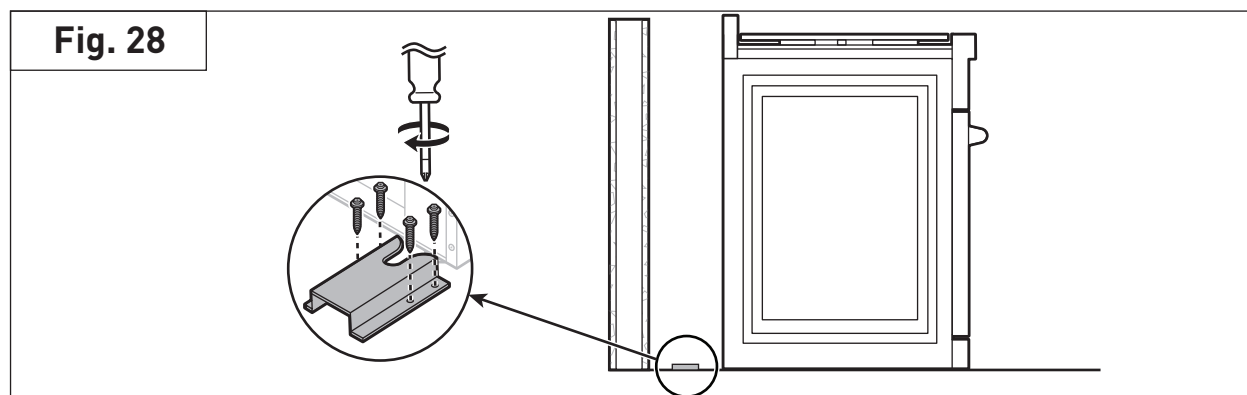
- Power drill
- Pencil
- Spirit level
- Measuring tape

For RSG30/LP and RSG30B/LP

1. Place the anti-tip device (4) on the floor, on the right side of the installation area.
2. Test the fit of the anti-tip device (4) by pushing the appliance into place. Ensure that the anti-tip device (4) catches onto the back right foot (39) of the appliance.
3. Once the correct placement is verified, pull out the appliance and mark the holes on the anti-tip device (4) onto the floor (Fig. 27).
4. Put away the anti-tip device (4) and drill holes on the marked positions (Fig. 27).



5. Attach the anti-tip device (4) to the floor using the provided anti-tip device screws (5) (Fig. 28).

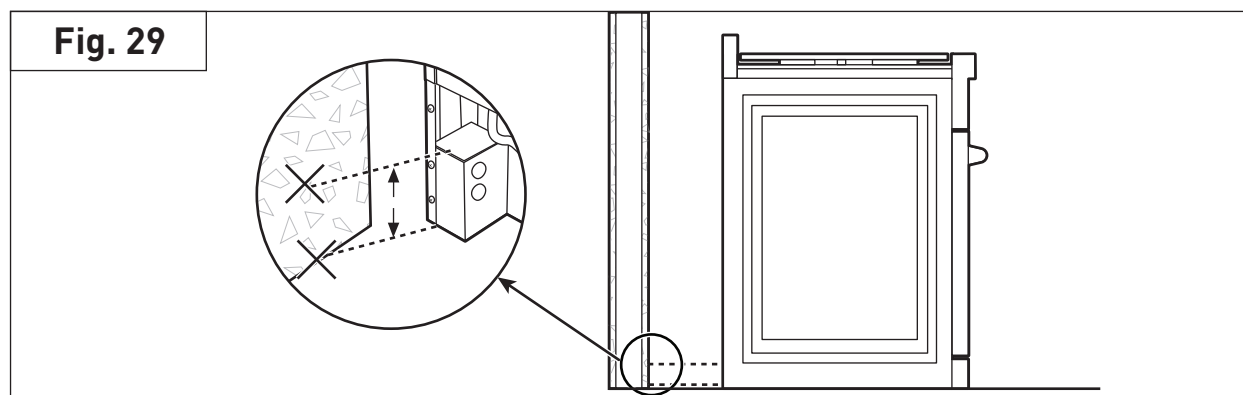


6. Push the appliance all the way into the installation location, engaging it firmly with the anti-tip device (4).

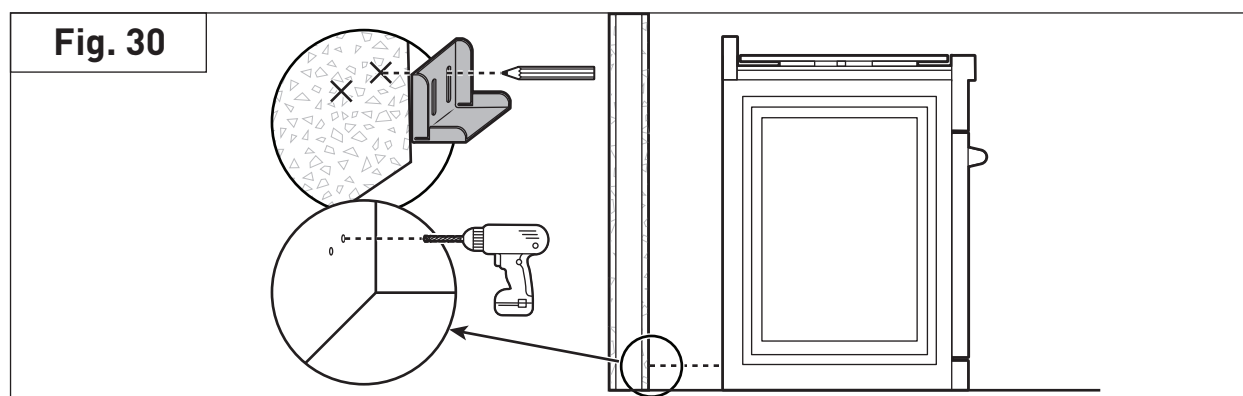
INSTALLATION

For RSG36/LP, RSE30 , RSE36, RSG36B/LP, RSE30B and RSE36B

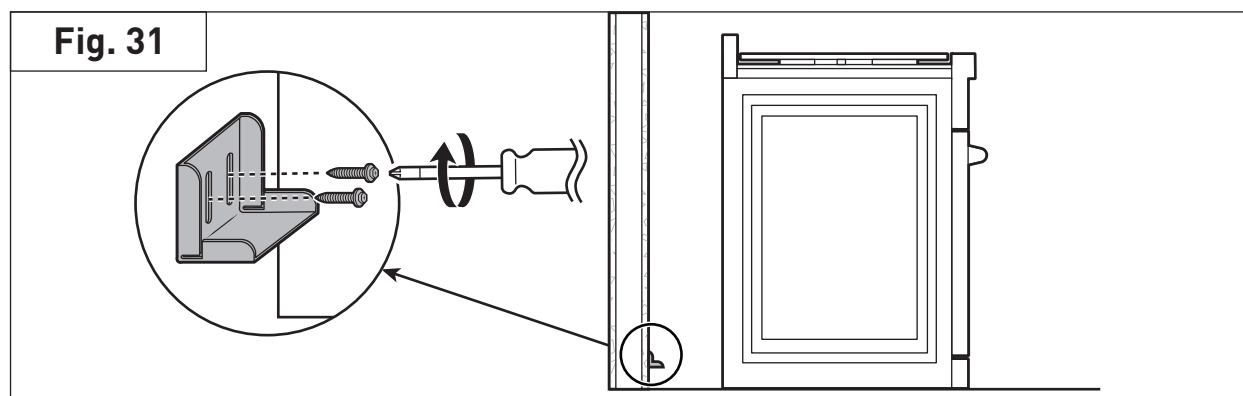
1. Measure the height between the floor and the left side of the back panel (Fig. 29).
2. Mark this measurement on the back wall (Fig. 29).



3. Place the anti-tip device (4) against the wall and mark the holes on it, ensuring they are level (Fig. 30).
4. Drill holes on the marked places (Fig. 30).



5. Attach the anti-tip device (4) to the back wall using the provided screws (5) (Fig. 31).



6. Push the appliance all the way into the installation location, engaging it with the anti-tip device (4).

INSTALLATION

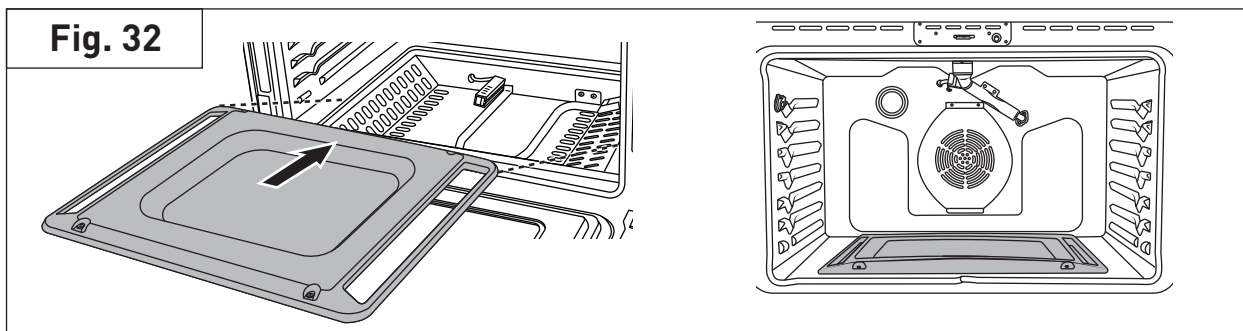
Check the installation of the anti-tip device

1. Remove any items on the cooktop (31).
2. Grasp the top rear edge of the appliance and carefully attempt to tilt it forward.
3. Verify that the anti-tip device (4) is engaged.

3.13 Place the bottom cover (RSG30/LP, RSG36/LP, RSG30B/LP and RSG36B/LP only)

- To avoid permanent damage to the oven bottom finish, do not line the oven bottom with any type of foil or liner.

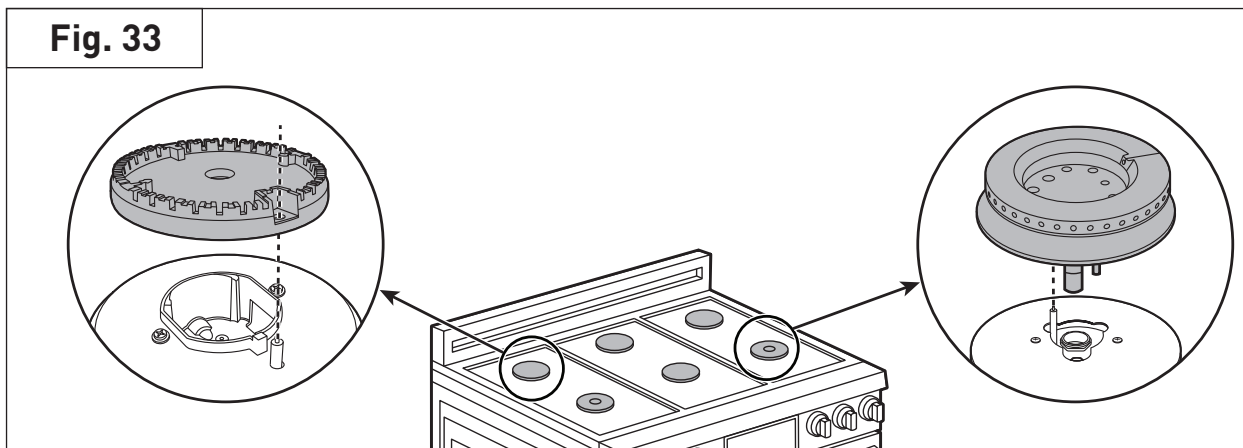
Place the oven bottom cover (34) over the oven bottom assembly (26). When placed correctly, the rim of the oven bottom cover (34) fully fits into the indentation of the oven bottom assembly (26) (Fig. 32).



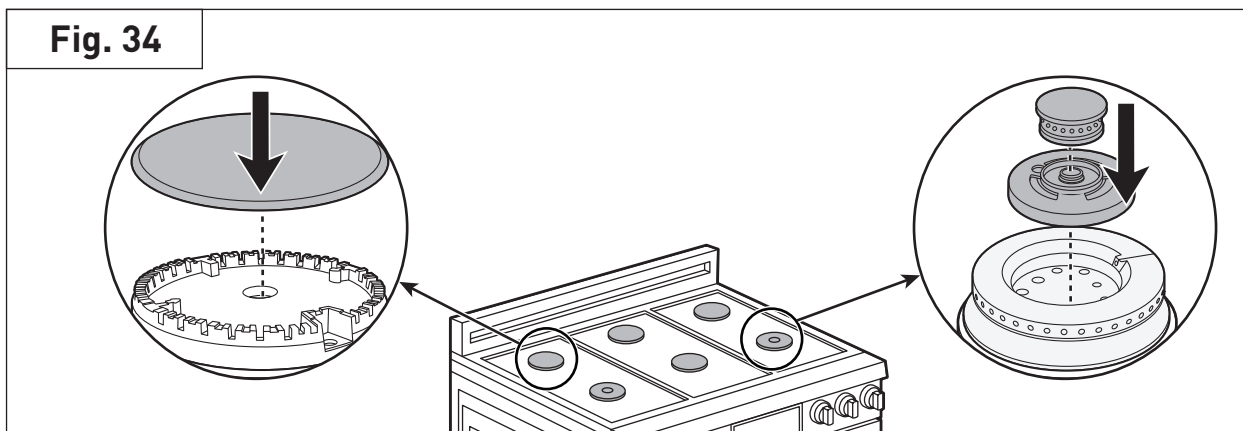
INSTALLATION

3.14 Assemble the burners

- The burner parts (13, 14, 16, 17, 18) come pre-assembled and taped to the cooktop (31).
- If adhesive residue remains, use a soft cloth and dishwashing liquid to remove it. Avoid harsh or abrasive cleaners.
- The burner base (15/19) has an electrode that fits into holes on the burner head (14)/bass flame spreader (18). Ensure the hole in the burner head (14)/dual burner lower flame spreader (18) is positioned over the electrode (Fig. 33) when assembling.
- Properly assembled burners should have a level surface and not be tilted (Fig. 33). A tilted burner may cause an uneven flame.



- For RSG36/LP and RSG36B/LP, match the correct sizes of burner heads (14) and burner caps (13) to the burner base (15) (Fig. 34).



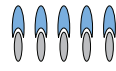
- For RSG30/LP, RSG36/LP, RSG30B/LP and RSG36B/LP place the cooktop grates (28) on the cooktop (31) after assembling the burners.

INSTALLATION

3.15 Perform a test run

Check burner ignition (RSG30/LP, RSG36/LP, RSG30B/LP and RSG36B/LP only)

1. Select a burner knob (35/36) and simultaneously push in and turn to the **Ignite** position. A clicking sound indicates proper ignition operation.
2. The burner should ignite within 4 seconds once the air is purged from the supply lines. After ignition, rotate the burner knob (35/36) out of the **Ignite** position.
3. Visually check the combustion quality of the flames:

Flame appearance	Description	Verdict
	Yellow flames	Call for service to adjust the flame
	Yellow tips on the outer cones	Normal for LP
	Soft blue flames	Normal for NG

4. Test each burner one by one until all burners have been checked.

Check oven and broiler burners/heating elements

1. Select **BAKE** function.
2. Press **START**. After 30-90 seconds check that the oven burner (26) has started to heat up.
3. Select **BROIL HI** function.
4. Press **START**. After 30-90 seconds check that the broiler burner (24) has started to heat up.

3.16 Conditioning

Conditioning burns off any manufacturing residues.

1. Place all the oven racks (8) inside the oven cavity (20).
2. If a hood is installed, set it on high.
3. Set the oven to the **BAKE** function and preheat the empty oven to 350 °F (176 °C) and allow it to heat for 30 minutes, then increase the temperature to 500 °F (260 °C) then allow oven to heat for another 30 minutes.
4. Let the oven cavity (20) cool down.
5. Once cooled, wipe the oven cavity (20) with a damp cloth and mild detergent, then dry thoroughly.

TROUBLESHOOTING

Problem	Possible cause	Solution
The appliance is not level.	The appliance has been installed improperly.	Place the oven rack (8) in the center of the oven. Place a level on the oven rack (8). Adjust the feet (39) until the oven rack (8) is level. Ensure the floor is level and strong and stable enough to adequately support the appliance.
	The floor is sagging or sloping.	Contact a carpenter to correct the situation.
	The kitchen cabinets are not properly aligned and make the appliance appear to be not level.	Ensure the cabinets are square and provide sufficient room for installation.
The appliance must be accessed for servicing and cannot be moved easily.	The kitchen cabinets are not square and too close to the appliance.	Contact a builder or installer to make the appliance accessible.
	Carpet is interfering with movement of the appliance.	Provide sufficient space so the appliance can be lifted over the carpet.

WARRANTY

THOR
K I T C H E N[®]

Warranty&Service

This appliance has been manufactured by Thor International, 4651 E Airport Drive, California 91761

For Customer Service, please call (877) 288 - 8099

For the most up to date warranty and service policy, please refer to our website
WWW.THORKITCHEN.COM/WARRANTY-REGISTRATION

For in-warranty service requests, please visit our website at
WWW.THORKITCHEN.COM/SERVICE

Please Note: You must provide proof of purchase or installation date for any in-warranty service requests



WELCOME TO THE GORDON RAMSAY COLLECTION

THOR Kitchen x Gordon Ramsay Collection is backed by a solid two-year warranty on both parts and labor. It's our commitment to quality and your peace of mind. Registering your appliance ensures top-notch service and personalized support. Your registration helps us stay informed about your appliance, enabling us to provide timely maintenance reminders, updates, and exclusive offers. This ensures your appliance maintains peak performance for years to come.

01 Scan the QR Code or visit thorkitchen.com/register-your-product.

02 Input your purchase and product information and select register.

03 That's it. You're all set.
Start cookin'!

