

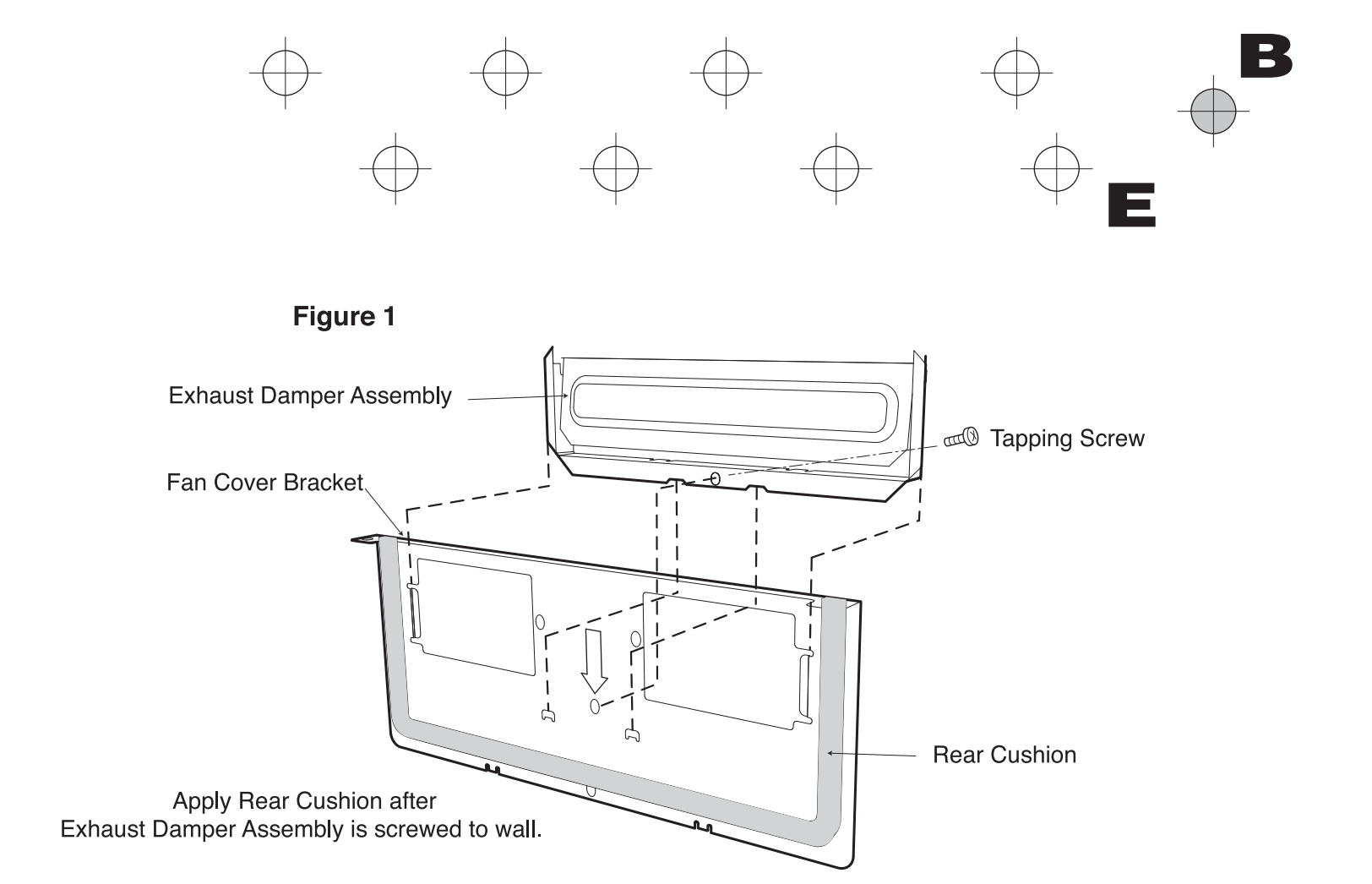
Cut WALL TEMPLATE from TOP CABINET TEMPLATE along the cutting line.
Place WALL TEMPLATE before placing TOP CABINET TEMPLATE.

1. Mark the location of the wall studs. Refer to the MICROWAVE COOKING GUIDE AND INSTALLATION INSTRUCTIONS, **2 WALL CONSTRUCTION**. Do not attempt to install this microwave oven if a wall stud cannot be located.
2. Use tape or pins to attach WALL TEMPLATE to the wall being sure that the upper edge is exactly at the bottom of the top cabinet and centered. The top edge of the template must be at least 66" from the floor and 30" or more from the cooking surface. The bottom edge of the WALL TEMPLATE must be at least 2" higher than the top of any range backsplash—do not put the WALL TEMPLATE behind the range backsplash.

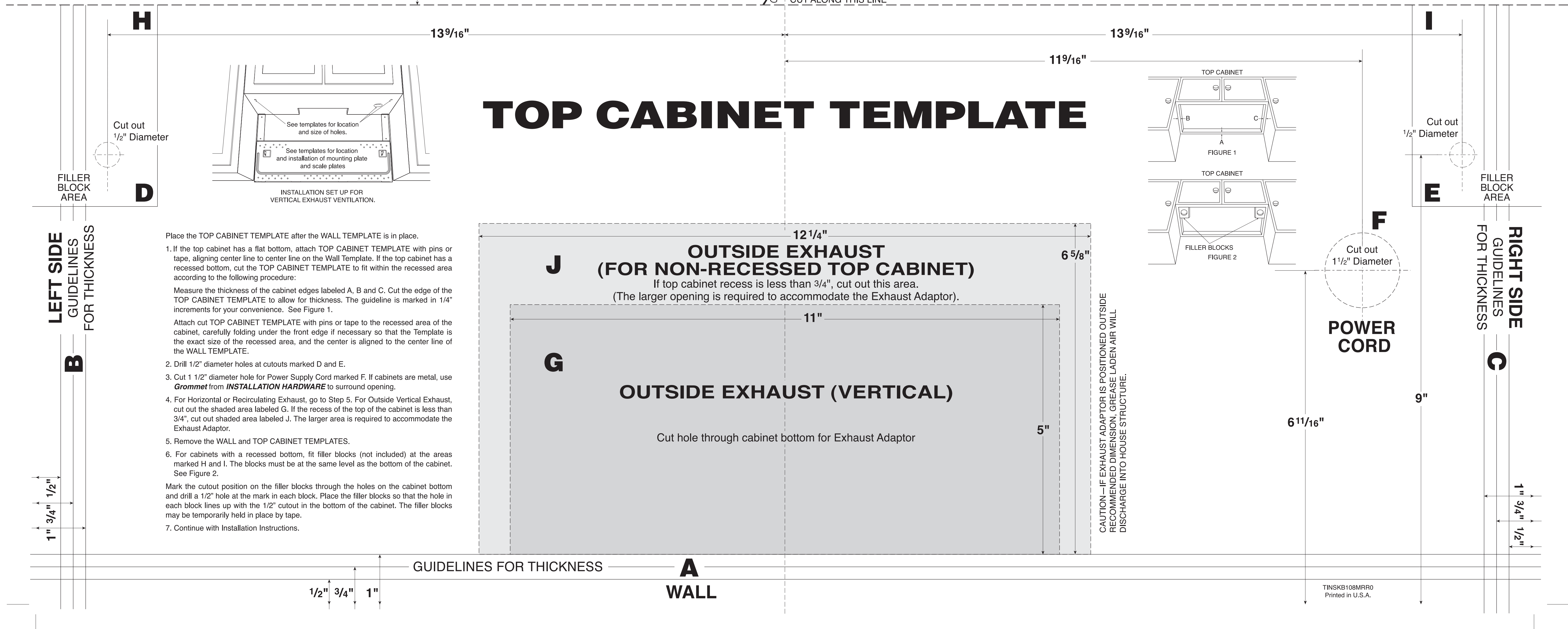
NOTE
A) If the cabinets are not plumb, adjust the WALL TEMPLATE to the cabinets.
B) If the front edge of cabinet is lower than the back edge, adjust the WALL TEMPLATE so that it is level with cabinet front.

3. Clearly and accurately mark wall stud location on the WALL TEMPLATE. If stud location matches any location marked ⊕, drill a 3/32" hole into the stud for a **Wood Screw**. Drill a 5/8" hole at A, B, C and D wherever there is **NO** stud. Additional **Toggle Bolts** may be purchased from most hardware stores and used in the area between the two E's or the two F's to give added support for weakened or damaged walls.

4. For Vertical and Recirculating Exhaust applications, go to the TOP CABINET TEMPLATE Instructions. For Horizontal Exhaust, cut out shaded area labeled H. **OUTSIDE REAR EXHAUST (HORIZONTAL)**.
5. Assemble the **Exhaust Damper Assembly** to the fan cover bracket (saved from **(B) HORIZONTAL EXHAUST** step 4) by sliding into the slits in the same directions as the arrow. Use 1 **Tapping Screw** 4 X 12 mm from the **INSTALLATION HARDWARE** and tighten into place. See Figure 1.
6. Attach the Exhaust Damper/Fan Cover Bracket Assembly over the **OUTSIDE REAR EXHAUST (HORIZONTAL)** opening. Screw the assembly to the wall using 2 of the screws saved from **(B) HORIZONTAL EXHAUST** step 1. See Figure 2.
7. Remove paper strip and apply adhesive side of **Rear Cushion** around **Exhaust Damper Assembly**. See Figure 1 and then go to the TOP CABINET TEMPLATE Instructions.



TOP CABINET TEMPLATE



Place the TOP CABINET TEMPLATE after the WALL TEMPLATE is in place.

1. If the top cabinet has a flat bottom, attach TOP CABINET TEMPLATE with pins or tape, aligning center line to center line on the Wall Template. If the top cabinet has a recessed bottom, cut the TOP CABINET TEMPLATE to fit within the recessed area according to the following procedure:
Measure the thickness of the cabinet edges labeled A, B and C. Cut the edge of the TOP CABINET TEMPLATE to allow for thickness. The guideline is marked in 1/4" increments for your convenience. See Figure 1.
Attach cut TOP CABINET TEMPLATE with pins or tape to the recessed area of the cabinet, carefully folding under the front edge if necessary so that the Template is the exact size of the recessed area, and the center is aligned to the center line of the WALL TEMPLATE.
2. Drill 1/2" diameter holes at cutouts marked D and E.
3. Cut 1 1/2" diameter hole for Power Supply Cord marked F. If cabinets are metal, use **Grommet** from **INSTALLATION HARDWARE** to surround opening.
4. For Horizontal or Recirculating Exhaust, go to Step 5. For Outside Vertical Exhaust, cut out the shaded area labeled G. If the recess of the top of the cabinet is less than 3/4", cut out shaded area labeled J. The larger area is required to accommodate the Exhaust Adaptor.
5. Remove the WALL and TOP CABINET TEMPLATES.
6. For cabinets with a recessed bottom, fit filler blocks (not included) at the areas marked H and I. The blocks must be at the same level as the bottom of the cabinet. See Figure 2.

Mark the cutout position on the filler blocks through the holes on the cabinet bottom and drill a 1/2" hole at the mark in each block. Place the filler blocks so that the hole in each block lines up with the 1/2" cutout in the bottom of the cabinet. The filler blocks may be temporarily held in place by tape.

7. Continue with Installation Instructions.

J **OUTSIDE EXHAUST (FOR NON-RECESSED TOP CABINET)**
If top cabinet recess is less than 3/4", cut out this area.
(The larger opening is required to accommodate the Exhaust Adaptor).

G **OUTSIDE EXHAUST (VERTICAL)**
Cut hole through cabinet bottom for Exhaust Adaptor

H **OUTSIDE REAR EXHAUST (HORIZONTAL)**

I **OUTSIDE REAR EXHAUST (VERTICAL)**

F **POWER CORD**
Cut out 1 1/2" Diameter

D **Cut out 1/2" Diameter**

E **Cut out 1/2" Diameter**

A **WALL**

B **LEFT SIDE GUIDELINES FOR THICKNESS**

C **RIGHT SIDE GUIDELINES FOR THICKNESS**

CAUTION—IF EXHAUST ADAPTOR IS POSITIONED OUTSIDE RECOMMENDED DIMENSION, GREASE LOUVER AIR WILL DISCHARGE INTO HOUSE STRUCTURE.

