



3 SERIES BUILT-IN 30"W. ELECTRIC OVENS

Viking 3 Series – RVSOE/RVDOE

FEATURES

- Extra large oven cavity provides for all your cooking needs
 - 4.3 cu. ft. overall
 - 3.8 cu. ft. measured to AHAM standard
(See specifications chart for oven interior dimensions)
- Ten high performance cooking modes include Two Element Bake, Convection Bake, TruConvec™ Convection Cooking, Convection Roast, Convection Broil, Hi Broil, Medium Broil, Low Broil, Convection Dehydrate, and Convection Defrost
- Two-speed convection system circulates air throughout entire oven cavity for maximum airflow and excellent cooking results (both ovens in double oven)
- 10-pass broiler with heat reflector provides excellent results for a variety of broiling applications
- Concealed six-pass element provides excellent temperature control while allowing oven cavity to be easily cleaned
- Meat probe ensures perfect baking/roasting of meats (upper oven only in double oven)
- Each oven has five porcelain-coated rack supports and comes standard with three heavy-duty oven racks, including two TruGlide™ Full Extension Oven Racks
- Digital clock/timer
 - 100-minute timer allows you to set cooking time for up to 12 hours
 - Tone and digital display indicate when pre-set cooking time is finished
- Custom oven settings offer options including degree format and clock format
- Two halogen oven lights provide plenty of light throughout the oven cavity
- Star-K certified with dedicated Sabbath mode



EASY OPERATION AND CLEANUP

- Extra large self-clean convection oven
- Concealed six-pass bake element makes cleaning bottom of oven easy
- Durable metal die-cast knobs with child-proof, push-to-turn safety feature

MODEL NUMBERS

- RVSOE330 – 30"W. Electric Single Oven
- RVDOE330 – 30"W. Electric Double Oven

COLOR FINISHES

- Stainless Steel (SS)



- Volume 1 Color Finishes include Antique Bronze (AN), Blush (BH), Cast Black (CS), Damascus Gray (DG), Eucalyptus (EU), Ivy (IV), Martini (MA), November Sky (NS), Slate Blue (SB), Spiced Cider (SC), Splash (SP)



- Volume 2 Color Finishes include Daffodil (DA), Golden Hour (GH), Nantucket (NA), Onyx (ON), Pure White (PW), Squall (SQ), Valentine (VA)



WARRANTY

- 2-year full – complete product
- 90-day full – cosmetic parts such as glass, painted items and decorative items
- 5-year limited – electric heating elements



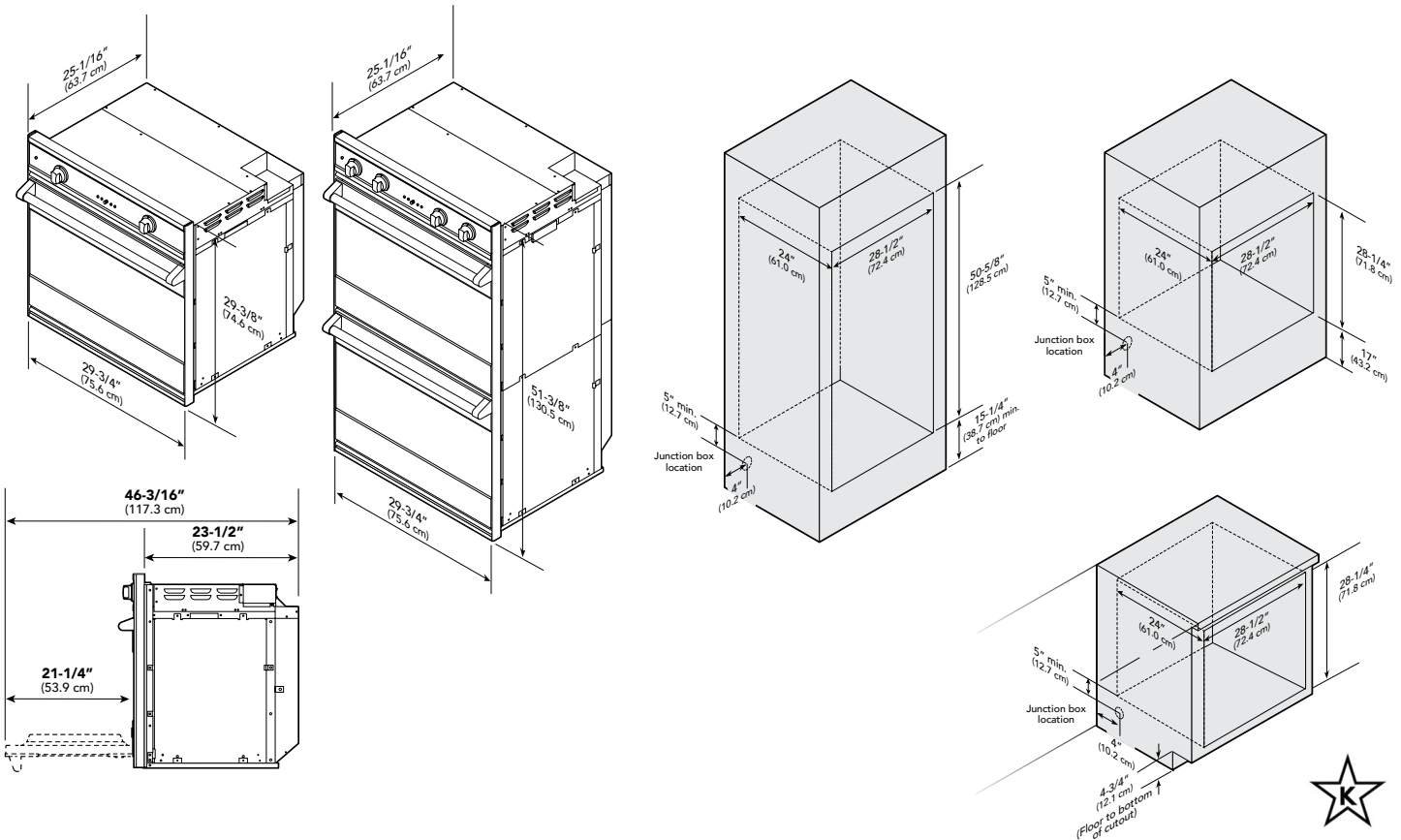
3 SERIES BUILT-IN 30"W. ELECTRIC OVENS

Viking 3 Series – RVSOE/RVDOE

30" WIDE ELECTRIC OVENS		
DESCRIPTION	RVSOE330	RVDOE330
Overall Width	29-3/4" (75.6 cm)	
Overall Height	29-3/8" (74.6 cm)	51-3/8" (130.5 cm)
Overall Depth	To front of door – 25-1/16" (63.7 cm)	
Cutout Width	28-1/2" (72.4 cm)	
Cutout Height	28-1/4" (71.8 cm)	50-5/8" (128.6 cm)
Cutout Depth	24" (61.0 cm)	
Electrical Requirements	4-wire ground, 240VAC, 30-amp electrical connection for single oven/50-amp for double oven. Unit is equipped with No. 10 ground wire conduit. Should be fused separately.	
Maximum Amp Usage	240V – 24.0 amps 208V – 20.8 amps	240V – 40.0 amps 208V – 34.7 amps
Oven Interior Dimensions	Width – 25" (63.5 cm) Height – 16" (40.6 cm) Depth – 18-1/2" (50.0 cm)	
Oven Volume	Overall – 4.3 cu. ft. AHAM Standard* – 3.8 cu. ft.	
Element Rating	Baking Element – 2,000 W Broil Element – 3,600 W Convection Element – 1,600 W	
Approximate Shipping Weight	259 lb. (117.6 kg)	374 lb. (174.2 kg)

Please do not prepare installation from brochure data only. See installation instructions for important clearance/installation information.

*The AHAM standard for measuring oven capacity subtracts the doorplug and convection baffle dimension from the total oven volume.



VIKING RANGE, LLC 111 FRONT STREET GREENWOOD, MISSISSIPPI 38930 USA

For detailed product information, model numbers, or to request a quote call 1-888-845-4641 or visit vikingrange.com

© 2024 Viking Range, LLC All rights reserved. Specifications subject to change without notice.



Intertek