

Installation GUIDE



3 Series
Built-In Electric 30"
Single and Double Ovens
RVSOE330 / RVDOE330

Table of Contents

Warnings & Important Safety Information.....2
 Dimensions.....4
 Specifications.....5
 Cutout Dimensions.....6
 Electrical Requirements7
 General Information8
 Installation9
 Final Preparation.....11
 Performance Checklist.....12
 Service & Registration.....13

IMPORTANT - Please Read and Follow

- Before beginning installation, read these instructions thoroughly and carefully.
- DO NOT remove permanently affixed labels, warnings or plates from the product as this may void the warranty.
- DO NOT install two or more wall ovens single or double side-by-side or stacked on top of one another.
- Observe all local and national codes, requirements and ordinances.
- Installation must conform with local codes or in the absence of codes, the National Electrical Code, ANSI/NFPA-70 – latest edition, or Canadian Electrical Code, CSA C22.1-1982 and C22.2 No. 01982 – latest edition, National Fuel Gas Code ANSIZ223.1/NFPA-54 – latest edition and all local codes and ordinances.
- IN MASSACHUSETTS: This appliance must be installed by a Massachusetts licensed plumber or electrician.
- IN CANADA: Installation must be in accordance with the current CSA C22.1 Canadian Electrical Codes Part 1 and/or local codes.
- Installers should leave these instructions with the consumer who should retain them for the local inspector’s use and for future edition and all local codes and ordinances.

Your safety and the safety of others is very important.

We have provided many important safety messages in this manual and on your appliance. Always read and obey all safety messages.



This is the safety alert symbol. This symbol alerts you to hazards that can kill or hurt you and others.

All safety messages will be preceded by the safety alert symbol and the word “DANGER,” “WARNING” or “CAUTION.” These words mean:

DANGER

Hazards or unsafe practices which WILL result in severe personal injury or death

WARNING

Hazards or unsafe practices which COULD result in severe personal injury or death

CAUTION

Hazards or unsafe practices which COULD result in minor personal injury or property damage.

All safety messages will identify the hazard, tell you how to reduce the chance of injury, and tell you what can happen if the instructions are not followed

Site Preparation: It is recommended that a thorough site inspection be conducted PRIOR to unpacking and moving this appliance.

Note: Wiring diagram is located on top of oven or in control panel.

IMPORTANT - Please Read and Follow

⚠ WARNING

DO NOT use the handle or oven door to lift the oven. Remove door before installation to ensure that it is not used to lift the unit. See installation section for door removal.

⚠ WARNING

The misuse of the oven door(s) (e.g. stepping, sitting, or leaning on them) can result in hazards or injuries and damage to the product.

⚠ WARNING

ELECTRICAL GROUNDING INSTRUCTIONS

This oven must be electrically grounded in accordance with local codes or, in the absence of local codes, with the National Electrical Code, ANSI/NFPA-70 – latest edition.

⚠ WARNING

To reduce the risk of fire, electric shock, or injury to persons, installation work and electrical wiring must be done by qualified people in accordance with all applicable codes and standards, including fire-rated conditions.

⚠ CAUTION

This appliance is not to be used by persons (including children) with reduced physical, sensory or mental capabilities, or lack of experience and knowledge, unless they have been given supervision or instruction concerning the use of the appliance by a person responsible for their safety. Children should be supervised to ensure that they do not play with the appliance.

⚠ WARNING

Frame grounded by a 4-conductor cable assembly. See installation section.

DO NOT USE AN EXTENSION CORD WITH THIS APPLIANCE. SUCH USE MAY RESULT IN FIRE, ELECTRICAL SHOCK OR OTHER PERSONAL INJURY.

⚠ WARNING

This appliance should not be used for space heating. This information is based on safety considerations.

⚠ WARNING

The use of cabinets for storage above the oven may result in potential fire or burn hazard.

⚠ CAUTION

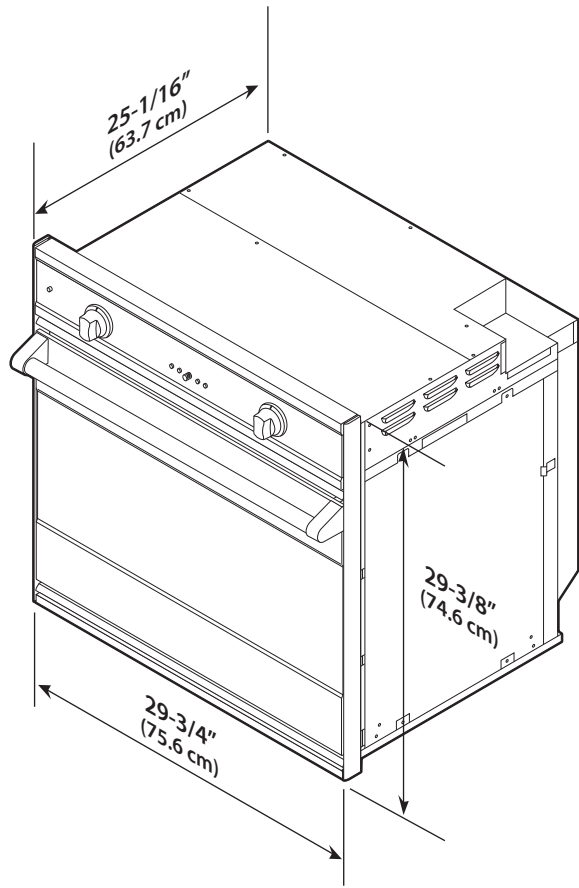
The oven is heavy—use extreme care when handling.

⚠ WARNING

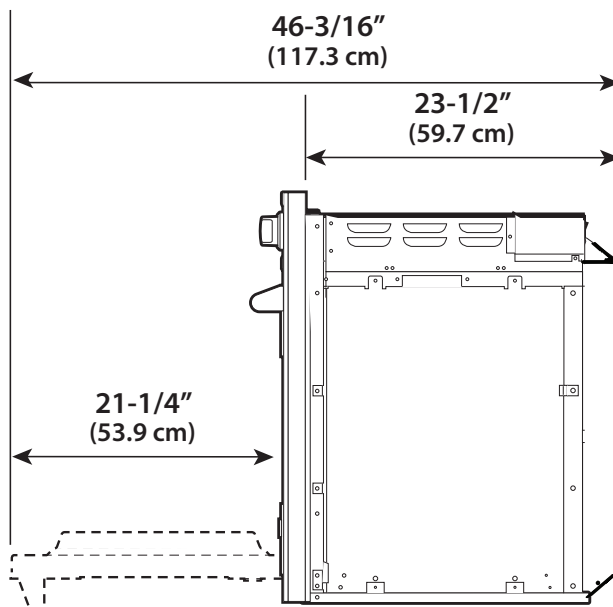
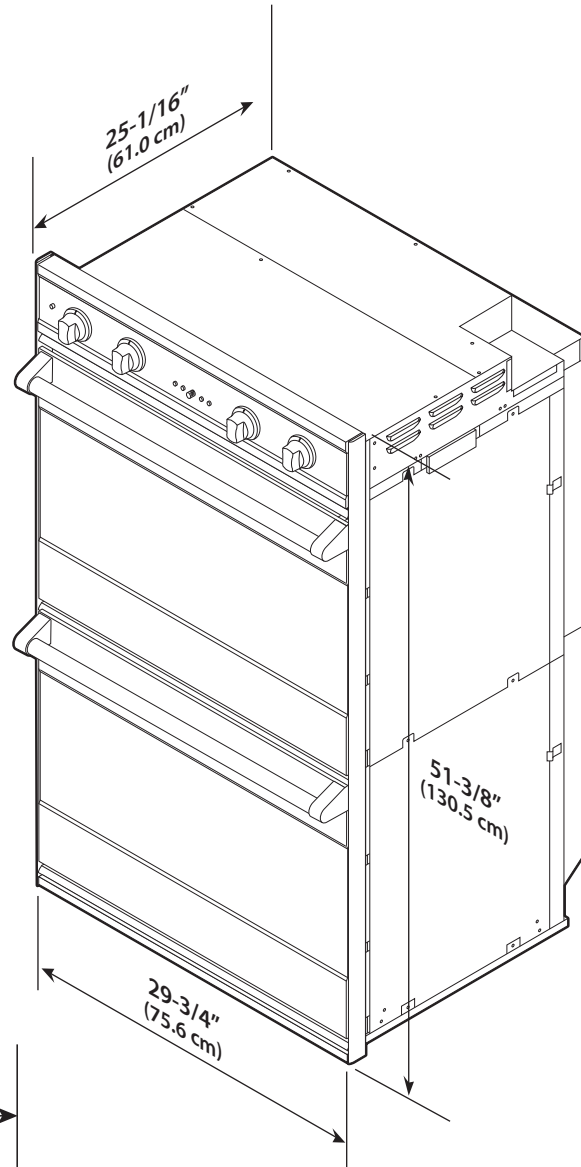
To prevent possible damage to cabinets and cabinet finishes, use only materials and finishes that will not discolor or delaminate and will withstand temperatures up to 194°F (90°C). Heat and moisture resistant adhesive must be used if the product is to be installed in laminated cabinetry. Check with your builder or cabinet supplier to make sure that the materials meet these requirements.

Dimensions

30" Single Oven



30" Double Oven

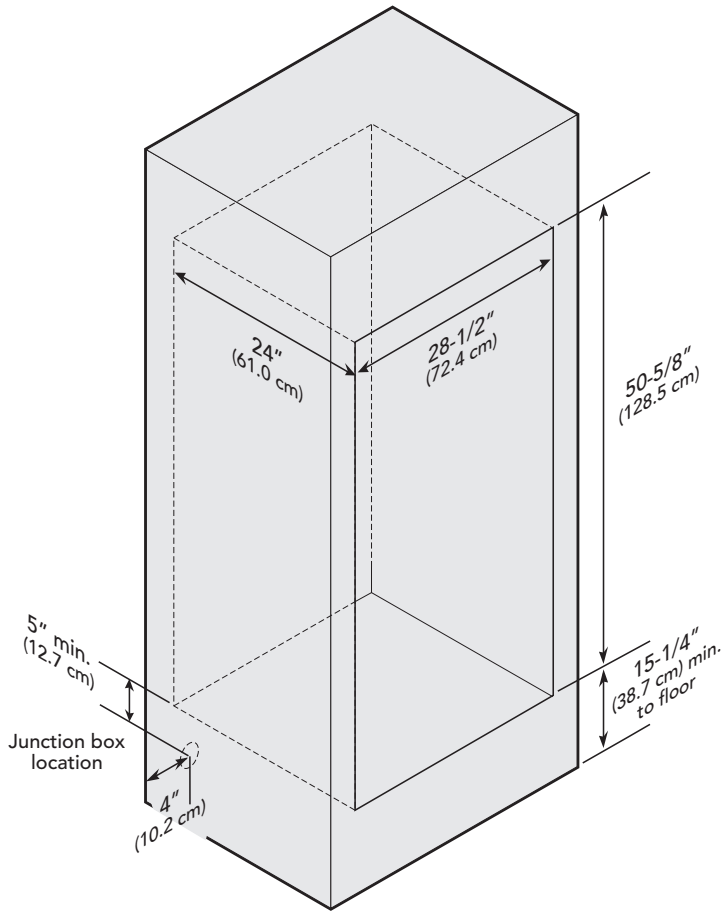


Specifications

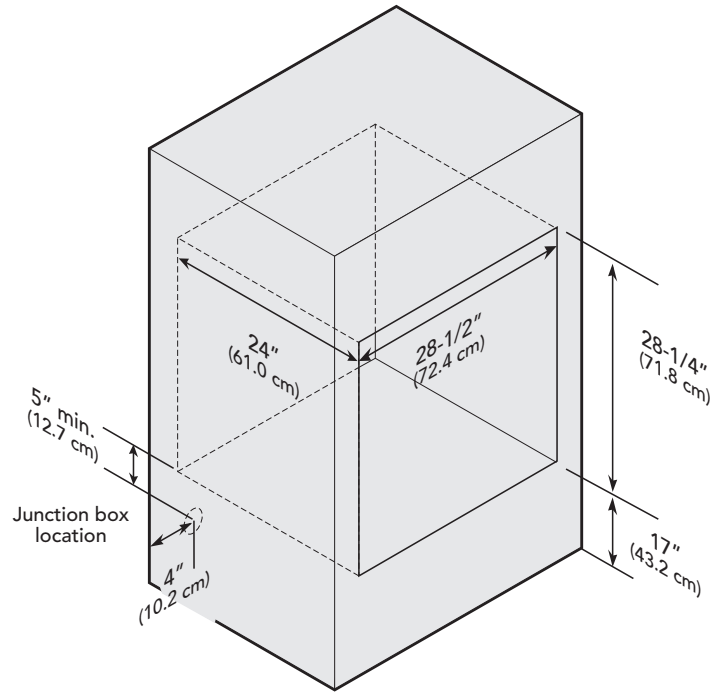
Description	RVSOE330	RVDOE330
Overall width	29-3/4" (75.6 cm)	
Overall height	29-3/8" (74.6 cm)	51-3/8" (130.5 cm)
Overall depth To front of door To front of handle	25-1/16" (63.7 cm) 28-1/16" (71.3 cm)	
Cutout width Standard Install	28-1/2" (72.4 cm)	
Cutout height Standard Install	28-1/4" (71.8 cm)	50-5/8" (128.5 cm)
Cutout depth Standard Install / Flush Mount	24" (61.0 cm)	
Electrical requirement	4-wire ground, 240 VAC / 60Hz, 30 amp electrical connection for single ovens/50 amp for double ovens. Unit is equipped with No. 10 ground wire in conduit. Should be fused separately.	
Max Amp Usage	240 VAC - 24.0 amps 208 VAC - 20.8 amps	240 VAC - 40.0 amps 208 VAC - 34.7 amps
Interior width	25" (63.5 cm)	
Interior height	16" (40.6 cm)	
Interior depth	18-1/2" (50.0 cm)	
Oven volume (AHAM Standard)	3.8 cu. ft.	
Oven volume (total oven cavity)	4.3 cu. ft.	

Cutout Dimensions

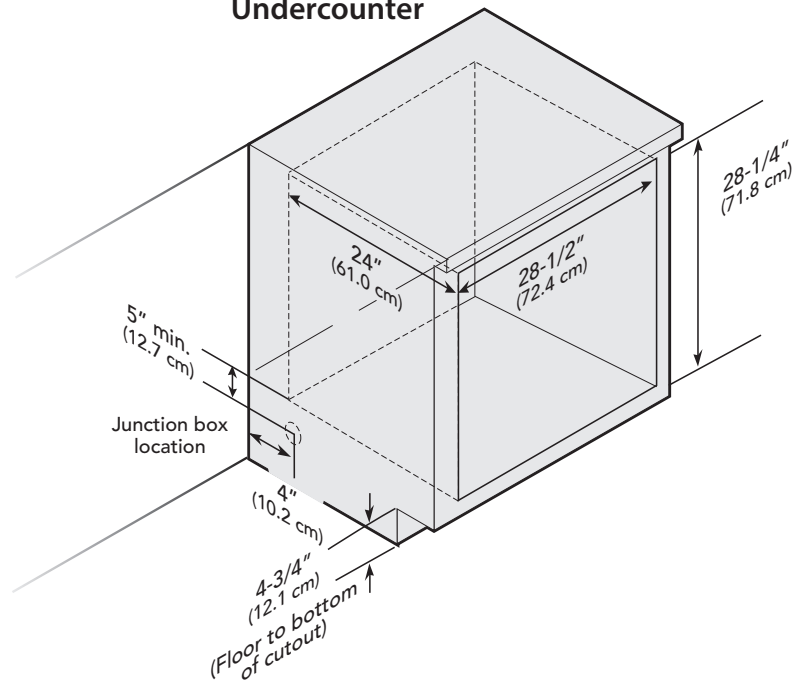
30" Double Oven



30" Single Oven



30" Single Oven Undercounter



Electrical Requirements



- Oven requires a separate, grounded 4-wire, 240V (AC), 30 amp (single ovens) and 50 amp (double ovens) service with its own circuit breaker.
- Wire sizes and connections must conform with the rating of the appliance and to the requirements of the National Electrical Code, ANSI/NFPA-70 – latest edition, or Canadian Electrical Code, CSA C22.1-1982 and C22.2 No. 01982 – latest edition, and all local codes and ordinances.
- Oven must be connected to the proper electrical voltage and frequency as specified on the model/serial rating plate (located inside the vent on the right side of the oven).
- Oven must be connected to grounded metal permanent wiring system. Check with a qualified electrician to make sure the oven is properly grounded.
- Do not ground to a gas pipe.
- Do not** use an extension cord with this appliance, because this may result in electrical shock or other personal injury.
- This unit is equipped with a No. 10 ground wire in the conduit.
- The electrical conduit must be kept to the top left for a flush installation. Never cut the conduit.
- Connect the flexible armored cable directly to 4-wire, 240V household service. If codes permit and separate grounding wiring is used, we recommend that a qualified electrician determine the grounding path and that the wire gauge is in accordance with local codes.
- Junction boxes installed on rear wall directly behind oven must be recessed.
- A UL-Listed conduit connector must be provided at the junction box.
- Do not** install a fuse in the neutral or grounding circuit. We recommend a time-delayed fuse or circuit breaker. Connect directly to the fused disconnect (or circuit breaker box) through flexible armored, or non-metallic sheathed, copper cable (with grounding wire).

General Information

- Keep appliance area clear and free from combustible materials, gasoline and other flammable vapors.
- Disconnect the electrical supply prior to servicing or cleaning.
- When removing the appliance for cleaning or service, disconnect AC power supply and carefully remove the appliance by pulling forward.
- Electrical requirements are listed in the product specifications under the electrical requirements section.

Recommendations for Unpacking

- Products are shipped on pallets with foam footings and corrugated inner-packing and exterior hoods.
- Products are anchored to the pallet using metal straps that are screwed to the bottom of the product and the pallet.
- DO NOT** remove protective packaging until you are ready to perform the installation.
- To remove the packaging, first remove the staples located at the bottom perimeter of the corrugated cover.
- Remove the corrugated cover by lifting it off the product and remove the inner-packing.
- Detach the product from the metal anchor strip by removing the attachment screw.
- DO NOT** remove the protective wrapping from the product control panel until the product is installed.
- All openings in the wall behind the appliance or in the floor under the appliance should be sealed.

DANGER

The oven is heavy—use extreme care when handling.

WARNING

DO NOT use the handle or oven door to lift the oven. Remove door before installation to ensure that it is not used to lift the unit. See installation section for door removal. **DO NOT** lift or carry the door by the handle

Recommendations for Moving

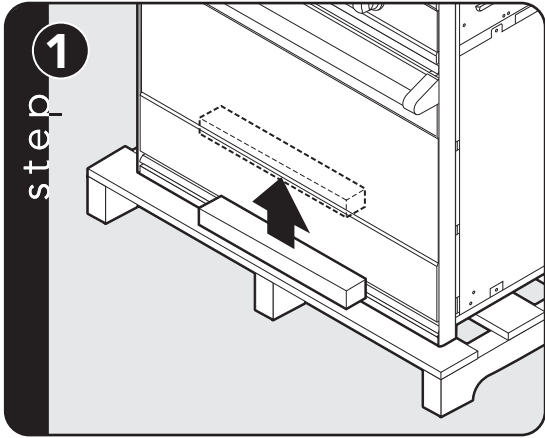
- Only proper equipment should be used to move products.
- ALWAYS** take steps to protect flooring at the installation location when moving products.

Site Preparation

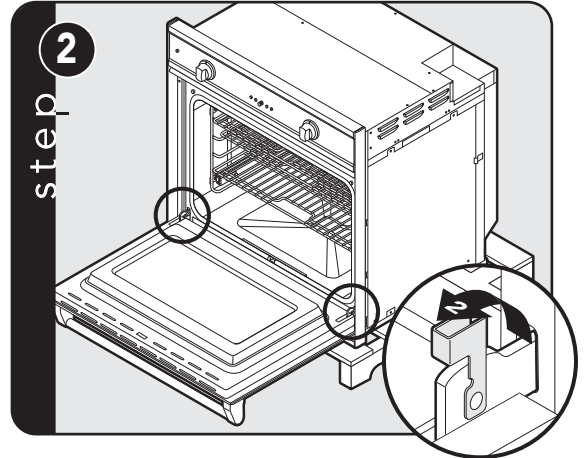
Note: It is recommended that a thorough site inspection be conducted PRIOR to unpacking and moving this appliance.

- Confirm available access to adequate power—see electrical requirements.
 - Single oven units require a 30 amp circuit
 - Double oven units require a 50 amp circuit
- Note:** A minimum of 2" spacing above and below the oven to any other adjacent items is required for ventilation purposes. **DO NOT** install single or double wall ovens side by side or stacked.
- It is recommended that 3/4" or thicker material be utilized to create a support platform for this appliance.
- BE SURE** that support for this appliance is perpendicular to the front facing of the wall or cabinet before you perform the installation.
- Use of a hydraulic lift is recommended for the installation of double oven units. Be careful not to bend lower trim/vent.
- All openings in the wall behind the appliance or in the floor under the appliance should be sealed.
- Keep appliance area clear and free from combustible materials, gasoline and other flammable vapors.

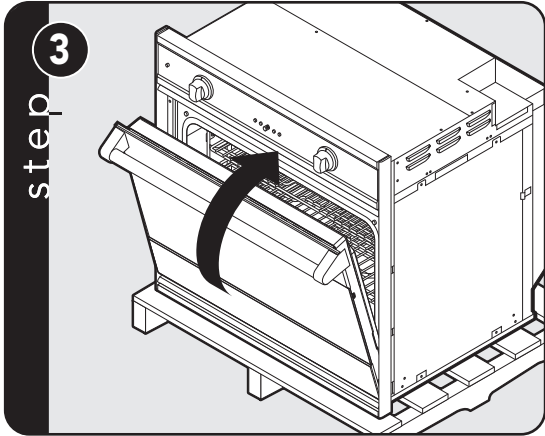
Installation



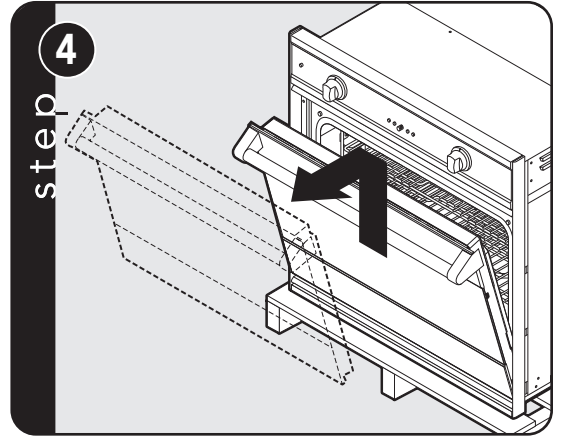
Remove wooden brace on front of pallet.



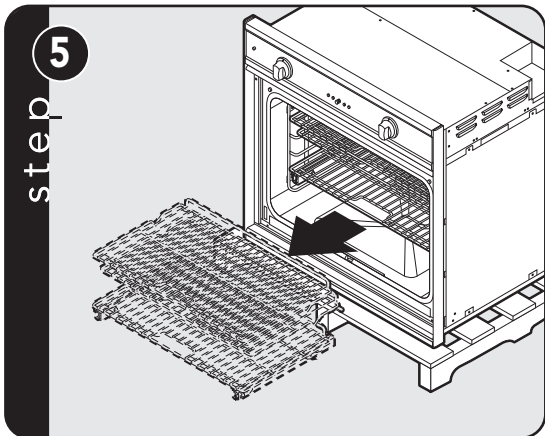
Open door completely. Rotate door hinge clip as shown in illustration.



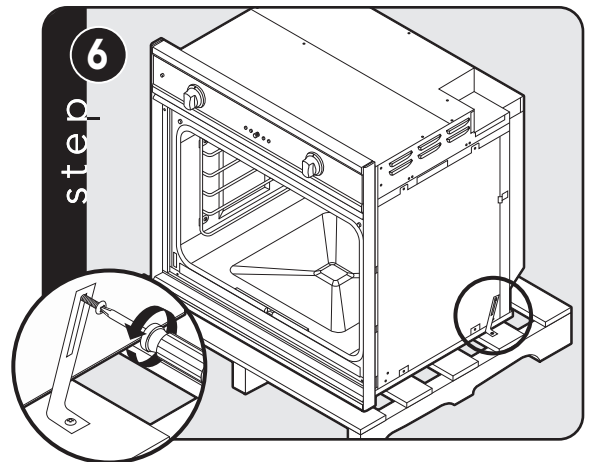
Close the door until it stops.



Push in/lift door up/and then out. Repeat for all doors.

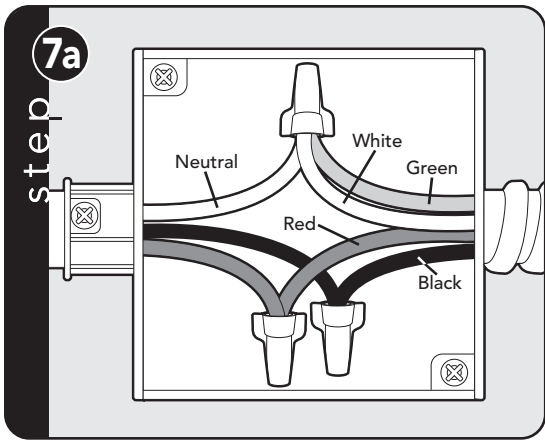


Remove racks.

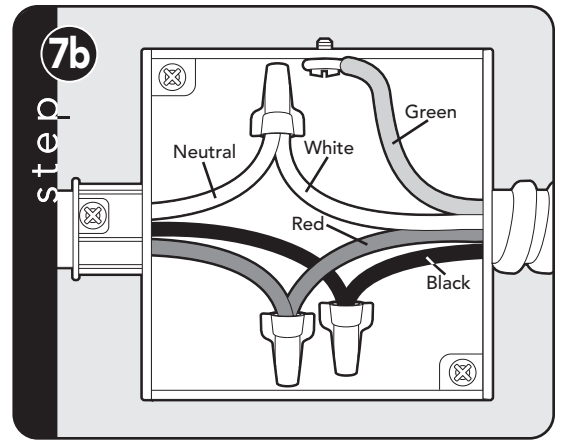


Unscrew pallet screws from side of oven.

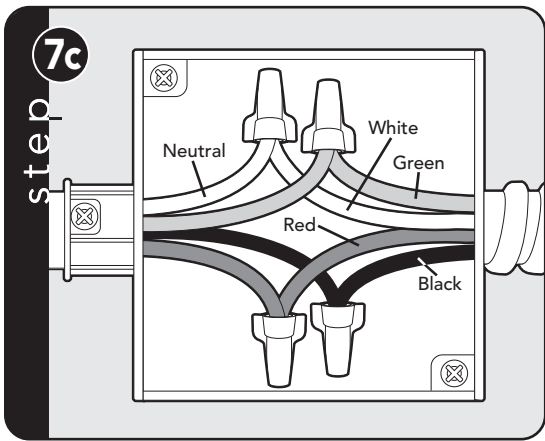
Installation



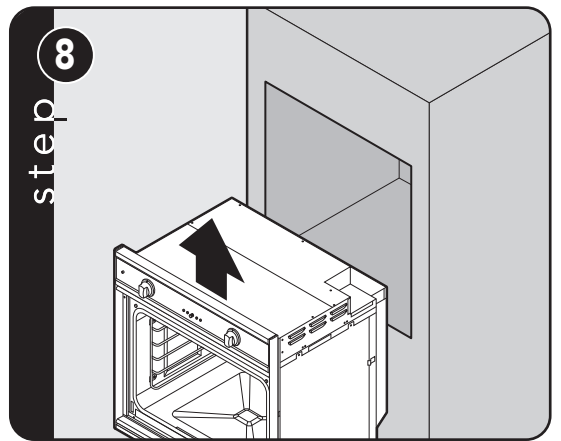
Wiring option 1*
(connect the white and green to the incoming neutral)



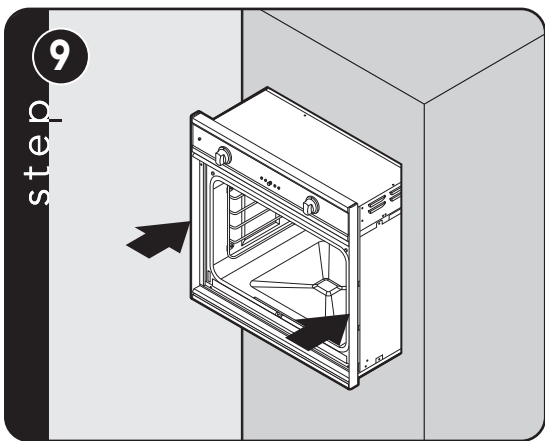
Wiring option 2*
(connect the white to the incoming neutral, attach green to grounded junction box)



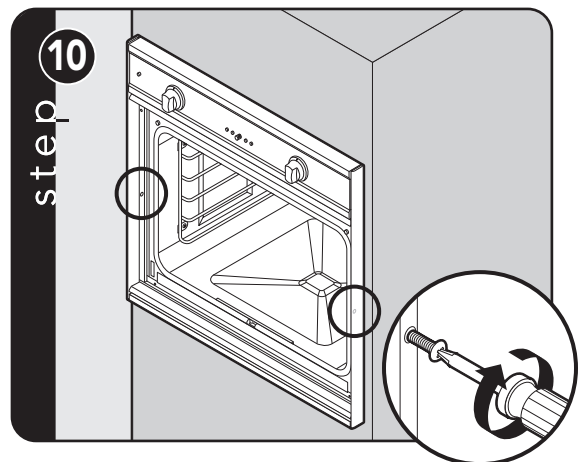
Wiring option 3*
(connect the white to the incoming neutral, attach green to suitable ground)



Lift oven into position.

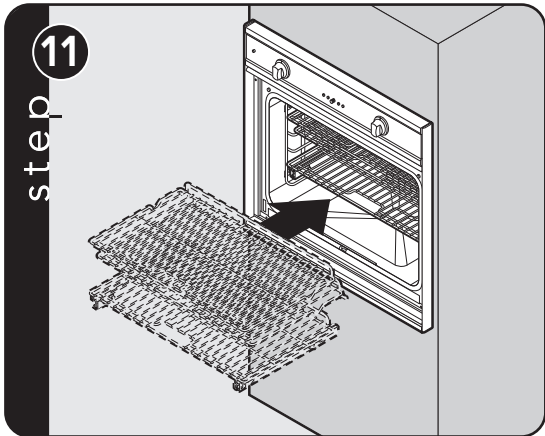


Push oven straight in.

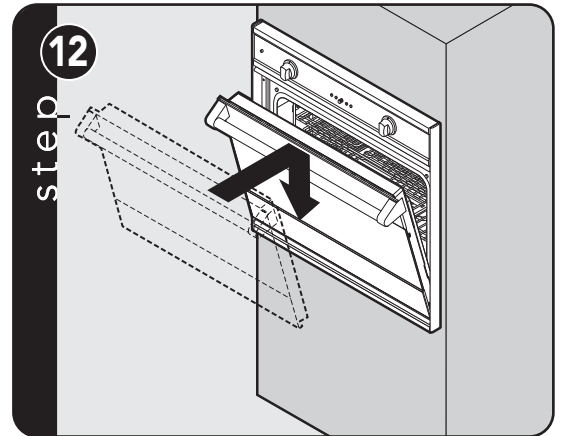


Attach screws to the side of the framing.
Note: Two screws for single ovens, four screws for double ovens (screws not included).

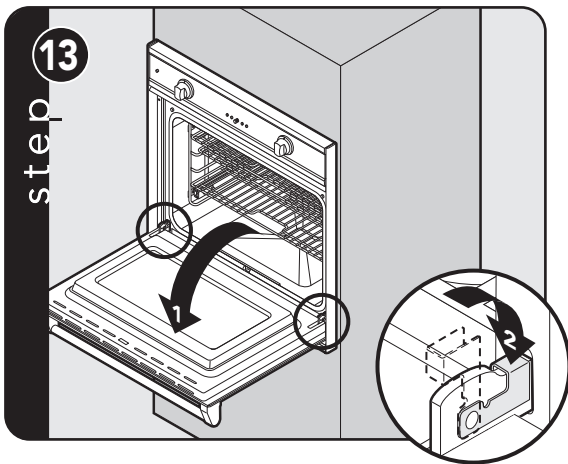
Installation



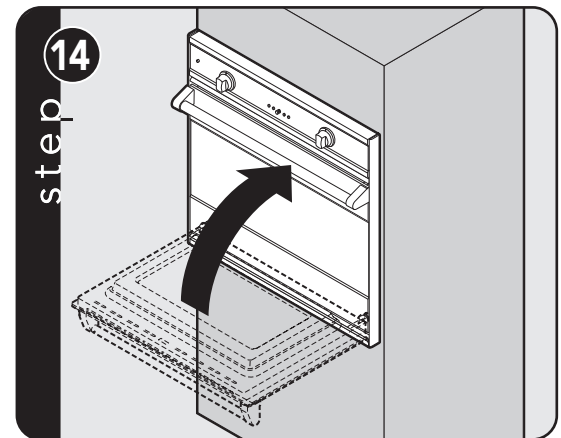
Replace racks



Replace door



Open door completely. Rotate door hinge clip as shown in illustration.



Close door

Final Preparation

1. Some stainless steel parts may have a protective wrap, which must be peeled off. All stainless steel body parts should be wiped regularly with hot, soapy water at the end of each cooling period and with liquid cleaner designed for this material when soapy water will not do the job. If build-up occurs, **DO NOT** use steel wool, or abrasive cloths, cleaners, or powders. If it is necessary to scrape stainless steel surface to remove encrusted material, soak area with hot, wet towels to loosen the material, then use a wooden or nylon spatula or scraper. **DO NOT** use a metal knife, spatula, or any other metal tool to scrape stainless steel surfaces. Scratches are almost impossible to remove.
2. The interior of the oven should be washed thoroughly with hot, soapy water to remove film residues and installation debris before being used for food preparation, then rinsed and wiped dry. Solutions stronger than soapy water are rarely needed.

Performance Checklist

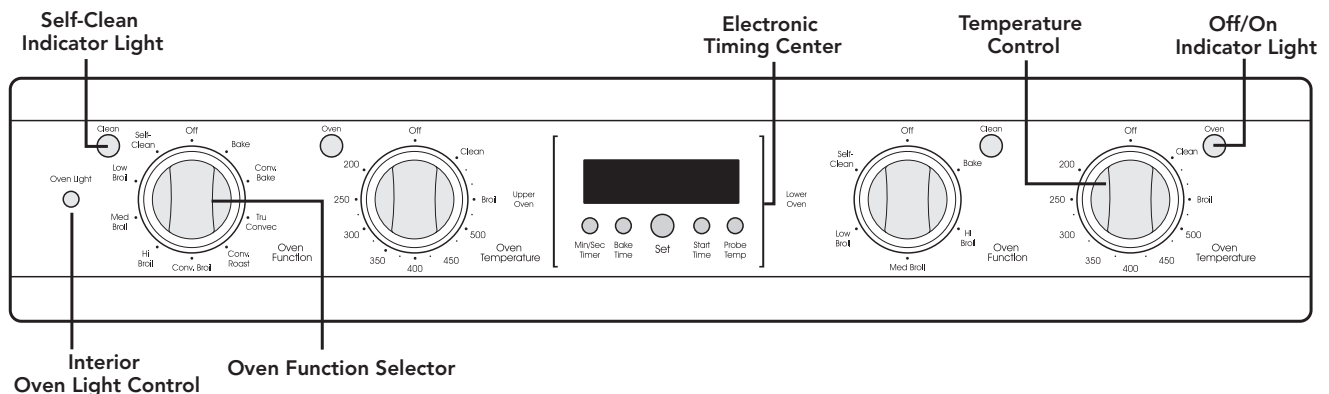
A qualified installer should carry out the following checks:

- Check oven Bake Function—bake element on full power, center and outside broil elements at partial power.
- Convection Bake function—bake and broil elements the same with the convection fan “ON”.
- Check TruConvec™ function—TruConvec element (behind convection fan cover) “ON” and convection fan “ON”.
- Check High Broil function—both broil elements at full power. Convection broil function is the same with convection fan “ON”.
- Check Medium Broil function—inner and outer broil elements pulse on and off.
- Check Low Broil function—inner broil element only.
- Check Self-Clean function—Door will lock in approximately 30 seconds, the center and outside broil elements will turn “ON” and the bake element will turn “ON” at partial power. Check broil elements through window to make sure they are “ON”, then abort self-clean cycle to unlock door.

⚠ DANGER

Do not run self-clean cycle check for more than 10 minutes with the oven racks and rack supports inside oven to avoid discoloration due to the high temperature.

Control Panel



Service Information

If service is required, call your authorized service agency.

Have the following information readily available.

- Model number
- Serial number
- Software Version
- Date purchased
- Name of dealer from whom purchased

Clearly describe the problem that you are having. If you are unable to obtain the name of an authorized service agency, or if you continue to have service problems, contact Viking Range, LLC at 1-888-(845-4641), or write to:

**VIKING RANGE, LLC
PREFERRED SERVICE
111 Front Street
Greenwood, Mississippi 38930 USA**

Record the following information indicated below. You will need it if service is ever required.

The model and serial number for your oven can be found by opening the door and looking underneath the control panel on the left hand side.

To access the software version, click the three dots above the time. Select Utility, select update.

Record the information indicated below. You will need it if service is ever required.

Model number _____

Serial number _____

Software Version _____

Date of purchase _____

Date installed _____

Dealer's name _____

Dealer's Address _____

If service requires installation of parts, use only authorized parts to ensure protection under the warranty.

KEEP THIS MANUAL FOR FUTURE REFERENCE.

Viking Range, LLC
111 Front Street
Greenwood, Mississippi 38930 USA
(662) 455-1200

For product information,
call 1-888-(845-4641)
or visit our web site at vikingrange.com