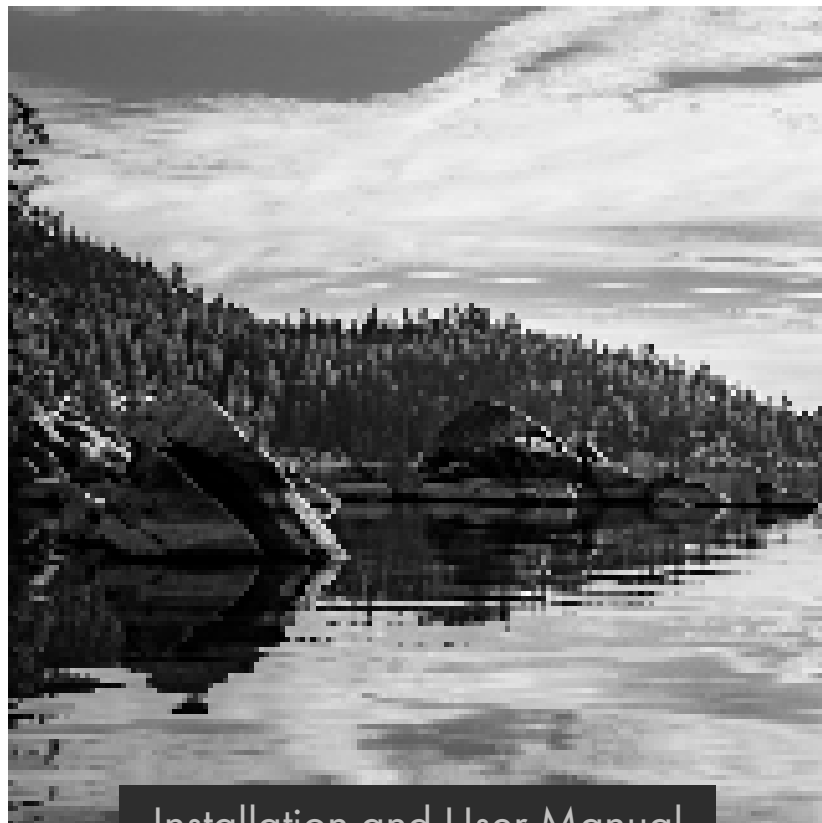


ZLINE

ATTAINABLE LUXURY[®]



Installation and User Manual

TOUCHSTONE REFRIGERATION **RWDO-GS-24, RWDPO-24, RBSO-GS-24,** **RBSPO-24, RBSO-ST-24, RDSO-ST-24,** **& RDSPO-24 MODELS**

www.zlinekitchen.com



ZLINE Kitchen and Bath provides Attainable Luxury, where the kitchen and bath of your dreams is never out of reach. Through our unique designs and unparalleled quality, we're dedicated to providing you an elevated experience in the heart of your home. With an endless selection of features and finishes, our inspiration is your reality.

ZLINE
ATTAINABLE LUXURY®



ZLINE is fueled by a passion for innovation; A relentless pursuit of bringing the highest end luxury designs and professional features into everyone's homes.

Because we continually strive to improve our products, we may change specifications and designs without prior notice.

Scan the QR code to view the most up-to-date version of the Installation Manual and User Manual.

⚠ WARNING: This product can expose you to chemicals including nickel, which is known to the State of California to cause cancer. For more information, go to www.P65Warnings.ca.gov.

TABLE OF CONTENTS

- IMPORTANT SAFETY INSTRUCTIONS 1

- BEFORE INSTALLATION.....6
 - Product Specifications 6
 - Provided Materials10
 - Materials Needed10

- INSTALLATION 11
 - Built-In Cabinet Instructions12
 - Installing the Anti-Tip System13
 - Reversing the Door Swing14
 - Cooler Integrated Door Panel Installation16
 - Drawer Integrated Door Panel Installation. 20
 - Electrical Connection 23

- OPERATION24
 - Control Panel Layout and Operation24
 - Error Alarms29
 - Energy-Saving Tips and Other Notes 30

- CARE AND MAINTENANCE.....31

- TROUBLESHOOTING.....33

- WARRANTY.....34

IMPORTANT SAFETY INSTRUCTIONS

- **IMPORTANT:** Read all instructions before using this appliance. Use this appliance only for its intended purpose as described in this manual. Always exercise basic safety precautions, as described below. After reading this manual, store it in an accessible place where users and services can easily reference it.
- The purpose of these safety precautions is to ensure safe and correct use of the product to minimize risks that could cause serious damage and injury to you or others. Precautions are split into WARNINGS and CAUTIONS. Incidences where improper handling of the unit could lead to death or serious injury are listed under the WARNING heading. Incidences listed under CAUTION could lead to serious injury.



Risk of fire or explosion. **FLAMMABLE REFRIGERANT** used.

- Do not use mechanical devices to defrost refrigerator.
- Do not puncture refrigerant tubing.
- This appliance is to be repaired only by trained service personnel.
- Consult the appliance's user and installation manuals before attempting service.
- All safety precautions must be followed.



CAUTION - Risk of fire or explosion. Dispose of refrigerator properly in accordance with the applicable federal or local regulations. Flammable refrigerant used.



Risk of fire or explosion if refrigerant tubing is punctured. **FLAMMABLE REFRIGERANT** used. Follow handling instructions carefully.



DANGER - Risk of fire or explosion. Flammable refrigerant used. Do not use mechanical devices to defrost refrigerator. Do not puncture refrigerant tubing.



Do not use mechanical devices or other means to accelerate the defrosting process, other than those recommended by the manufacturer.



Keep ventilation openings, in the appliance enclosure or in the built-in structure, clear of obstruction.

IMPORTANT SAFETY INSTRUCTIONS



Do not damage the refrigerant circuit.



Do not use electrical appliances inside the food storage compartments of the appliance unless they are explicitly recommended by the manufacturer.



DANGER - Risk of fire or explosion. Flammable refrigerant used. To be repaired only by trained service personnel. Use only manufacturer-authorized service parts. Any repair equipment used must be designed for flammable refrigerants. Follow all manufacturer repair instructions. Do not puncture refrigerant tubing.



CAUTION - Risk of fire or explosion due to puncture of refrigerant tubing; follow handling instructions carefully. Flammable refrigerant used.



WARNING: Do not locate multiple portable socket-outlets or portable power supplies at the rear of the appliance.



- Installation and service should be performed by a qualified installer. The appliance should not be adjusted or repaired by anyone except qualified service personnel. Attempting to perform these yourself could result in fire, malfunction, or injury.
- Never splash water directly onto the appliance or wash it with water without unplugging it from power, as a short circuit could result. If the appliance is installed outdoors in a humid or rainy environment, a water-proof covering is recommended.
- Never store flammable, explosive, or volatile substances inside or on top of the unit, as an explosion and fire could result.
- Do not damage, modify, excessively bend, strain, twist or bundle the power cord. Avoid hot, sharp, or aggressive surfaces. Placing heavy objects on the cord or binding it could damage the cord, possibly resulting in electrical shock and/or fire.
- Use a dedicated wall outlet. Do not use an extension cord or multiple-outlet adapter, as this could result in electrical shock, overheating, and fire.

IMPORTANT SAFETY INSTRUCTIONS

- Never use flammable spray cans or leave flammable substances near the unit. Sparks from electrical switches could result in an explosion and/or fire.
- If a combustible gas is present near the appliance, turn off the source of the gas, then open the windows and doors to allow the gas to dissipate. To avoid an explosion, do not pull the plug or switch off the unit.
- The electrical socket must be properly grounded and the plug should always be accessible. The ground wire cannot be connected with a gas pipe, heating pipe, water pipe, telephone line, or lightning rod. It cannot be replaced with the neutral wire of single-phase power.
- For standard indoor installation, it's recommended that a dedicated electrical circuit suitable for a NEMA 5-15 outlet serving only your appliance be used; please ensure the outlet is easily accessible.
- In addition to the ground wire, an electrical leakage circuit breaker is required if the unit is installed outdoors.
- An electrician-installed ground fault circuit interrupter (GFCI) electrical outlet is also required for outdoor installation. If no GFCI is installed, electrical shock could result.
- Never climb onto or inside the unit. The unit could tip over or fall and cause material damage or personal injury.
- Disconnect the power cord plug from the wall outlet before moving the unit and make sure that the power cord is not damaged during transport. A damaged power cord could result in electrical shock and/or fire.
- Never unplug the unit by pulling on the power cord. Always grip the plug firmly and pull straight out from the outlet. Pulling the cord could cause wire breakage, possibly resulting in overheating and fire. Never pull out plug when hands are wet.
- Have a qualified technician repair or replace any cord that is frayed or damaged. Do not use a cord that shows cracks or abrasions along its length.

IMPORTANT SAFETY INSTRUCTIONS

- Keep the appliance's ventilation openings, whether in the appliance enclosure or in the built-in structure, clear of any obstruction.



CAUTION

- This unit must be properly installed in accordance with the installation instructions including in this manual, along with adhering to all local government codes, before it is used. See electrical instructions on page 23.
- This appliance can either be built-in or freestanding. Built-in units vent air out of the grill located at the bottom front of the refrigerator. To ensure proper service access and ventilation, all units should not have the grill openings covered. There are no additional requirements for venting at the top, side or rear of the unit.
- Install the unit in a location where the floor is sturdy enough to support the load of the unit. If the floor is not sturdy enough or installation is incorrectly performed, the unit could tip over and cause personal injury. If the unit is placed on a stand, the front surface must be 3" (76 mm) or more back from the edge of the stand to avoid accidental tipping of the appliance during normal usage.
- Never place heavy objects or items containing water on top of the unit. Objects could fall and cause injury, and spilled water or other liquids could cause the deterioration of the insulation of electrical components and result in electrical shock.
- Disconnect the unit if it is behaving abnormally, and do not reconnect until the situation is corrected. If normal troubleshooting measures do not work, contact ZLINE at 1-614-777-5004 for assistance.
- Unplug the appliance before doing any maintenance to avoid electric shock.
- This unit is not intended for the storage of medicines, vaccines, or chemical reagents.
- Keep all packing materials away from children.



WARNING

Risk of child entrapment. To avoid safety and suffocation risks for children or pets, before you dispose of the appliance, take off the doors and drawers and leave the shelves in place so children or pets may not climb inside.

IMPORTANT SAFETY INSTRUCTIONS

- Condenser water from the appliance evaporator drains into a hole in the floor of the storage compartment and is channeled into a drain pan located at the back of the appliance on the compressor. Heat transferred from the compressor evaporates any water that has collected in the pan. Be sure the drain hole in the floor of the unit is clear and unobstructed.
- This appliance is CFC- and HFC-free and contains small quantities of isobutane (R600a), an environmentally friendly refrigerant.
- During long absences, remove the unit's contents, unplug the unit, clean it, and leave the door open slightly to avoid possible formation of condensation, mold, or odors. Use a cover to protect the unit and prolong its lifespan.
- Leave disassembly and disposal of the unit to qualified experts. The manufacturer will not be responsible for any damage to property or to persons caused by incorrect installation, improper use of the appliance, or failure to heed the warnings listed, and the warranty will be voided.
- The manufacturer reserves the right to make changes to its products when considered necessary and useful, without affecting the essential safety and operating characteristics.
- This appliance has been designed for non-commercial, domestic use only.
- Please observe all local, state, and national codes and ordinances. Please ensure the appliance is properly grounded. The plug should always be accessible.
- Never use an appliance with a damaged cooling system. If system is damaged upon arrival, contact ZLINE at 1-614-777-5004

DISPOSAL

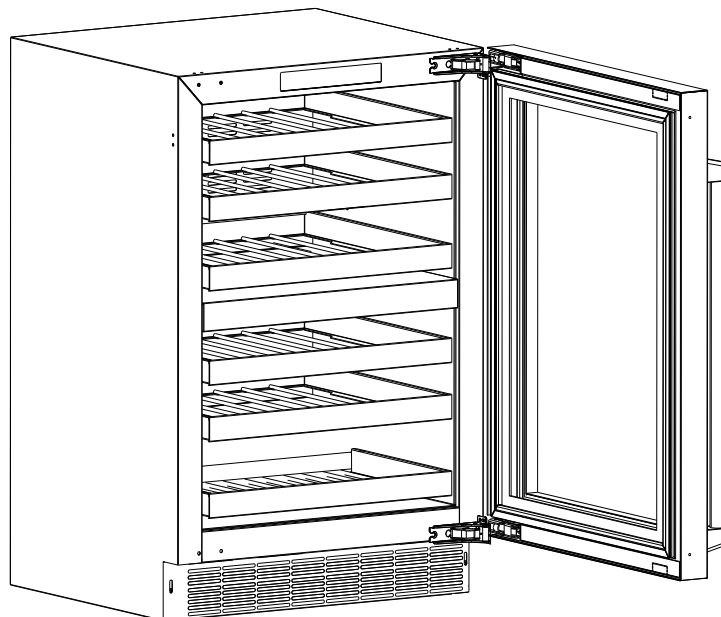
The appliance cannot be treated as normal domestic trash and must be disposed of at a collection point for recycling electric and electronic appliances. Your contribution to the correct disposal of this product protects the environment. Further information about the recycling of this product can be obtained from your local municipal authority.

BEFORE INSTALLATION

| PRODUCT SPECIFICATIONS | | |
|--------------------------------|--|---|
| Model | RWDO-GS-24 | RWDPO-24 |
| Description | Dual-Zone Wine Cooler Stainless Steel Glass Door | Dual-Zone Wine Cooler Panel-Ready Glass Door |
| Weight | 169 lb (77 kg) | 161 lb (73 kg) |
| Voltage/Frequency/Max Amp Draw | 115-120VAC/60Hz/15A | |
| *Product Dimensions | 23 7/8" W × 23 3/16" D × 34" H 606 mm W x 589 mm D x 864 mm H | |
| Ambient Temperature Range | 50 °F–110 °F (10 °C–43 °C) | |
| Operating Temperature Range | Both zones: 40 °F–65 °F (4 °C–18 °C) | |
| Shelf Configuration | 5 Full Depth Stainless Steel Wire Rack 1 Half Depth Stainless Steel Wire Rack (at bottom) | |
| Interior Capacity | 4.8 cu. ft. | |
| Wine Storage Capacity | 44 Bordeaux-style bottles (750 ml) | |

*PRODUCT DIMENSION NOTES:

- Height for both models varies depending on adjustable legs; 34" (864 mm) is the minimum height with the legs at their lowest position. Max height is 34 15/16" (887 mm).
- The diagram below represents an RWDO-GS-24 model. The 23 3/16" (589 mm) depth measurement is from back of the cooler to the front of the stainless steel door.
- For RWDPO-24, depth to the front of the panel-ready door is 22 3/8" (568 mm).
- Full depth including handle is 25 7/16" (646 mm).

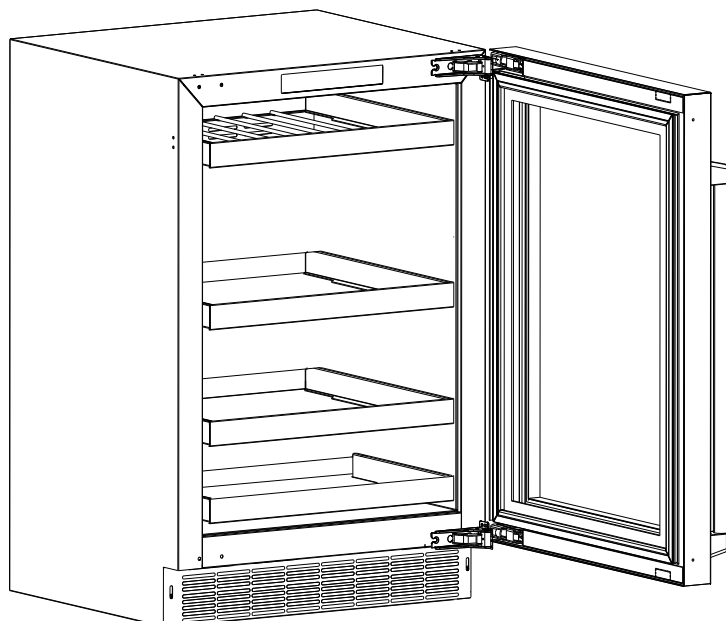


BEFORE INSTALLATION

| PRODUCT SPECIFICATIONS | | |
|--------------------------------|--|---|
| Model | RBSO-GS-24 | RBSP0-24 |
| Description | Beverage Center Stainless Steel Glass Door | Beverage Center Panel-Ready Glass Door |
| Weight | 154 lb (70 kg) | 147 lb (67 kg) |
| Voltage/Frequency/Max Amp Draw | 115VAC/60Hz/15A | |
| *Product Dimensions | 23 7/8" W × 23 3/16" D × 34" H 606 mm W x 589 mm D x 864 mm H | |
| Ambient Temperature Range | 50 °F–110 °F (10 °C–43 °C) | |
| Operating Temperature Range | 34 °F–65 °F (1 °C–18 °C) | |
| Shelf Configuration | 1 Full Depth Stainless-Steel Wire Rack Glass Shelves: 2 Full Depth and 1 Half Depth | |
| Interior Capacity | 5.2 cu. ft. | |
| Can/Bottle Storage Capacity | 151 cans or 79 bottles (12 oz) | |
| Wine Storage Capacity | 8 Bordeaux-style bottles (750 ml) | |

*PRODUCT DIMENSION NOTES:

- Minimum height for both models is 34" (864 mm). Max height is 34 15/16" (887 mm).
- The diagram below represents an RBSO-GS-24 model. The 23 3/16" (589 mm) depth measurement is from back of the cooler to the front of the stainless steel door.
- For RBSP0-24, depth to the front of the panel-ready door is 22 3/8" (568 mm).
- Full depth including handle is 25 7/16" (646 mm).

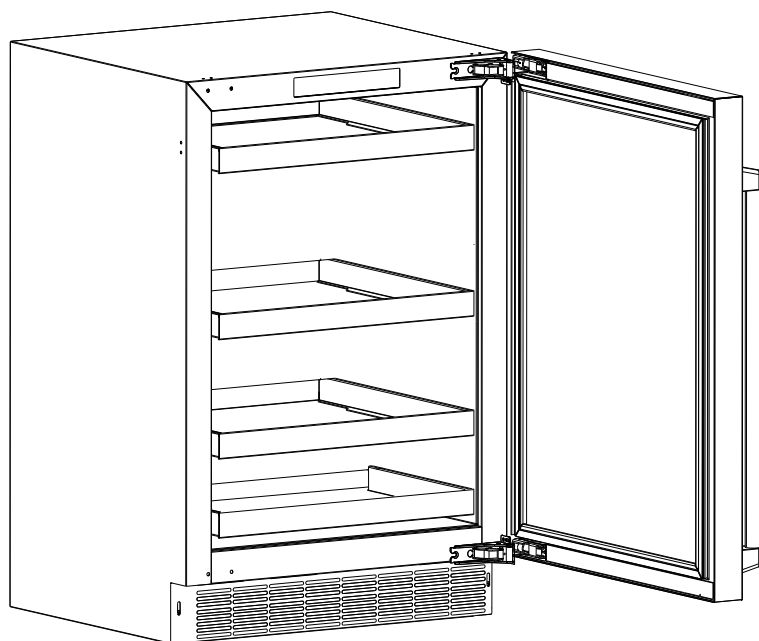


BEFORE INSTALLATION

| PRODUCT SPECIFICATIONS | |
|--------------------------------|--|
| Model | RBSO-ST-24 |
| Description | Stainless Steel Solid Door Refrigerator |
| Weight | 139 lb (63 kg) |
| Voltage/Frequency/Max Amp Draw | 115VAC/60Hz/15A |
| * Product Dimensions | 23 7/8" W × 23 3/16" D × 34" H 606 mm W x 589 mm D x 864 mm H |
| Ambient Temperature Range | 50 °F–110 °F (10 °C–43 °C) |
| Operating Temperature Range | 34 °F–65 °F (1 °C–18 °C) |
| Shelf Configuration | 3 Full Depth Glass Shelves 1 Half Depth Glass Shelf (at bottom) |
| Interior Capacity | 5.2 cu. ft. |
| Can/Bottle Storage Capacity | 151 cans or 103 bottles (12 oz) |

* PRODUCT DIMENSION NOTES:

- Minimum height for the refrigerator is 34" (864 mm).
- Max height is 34 15/16" (887 mm).
- The 23 3/16" (589 mm) depth measurement is from back of the cooler to the front of the stainless steel door.
- Full depth including handle is 25 7/16" (646 mm).

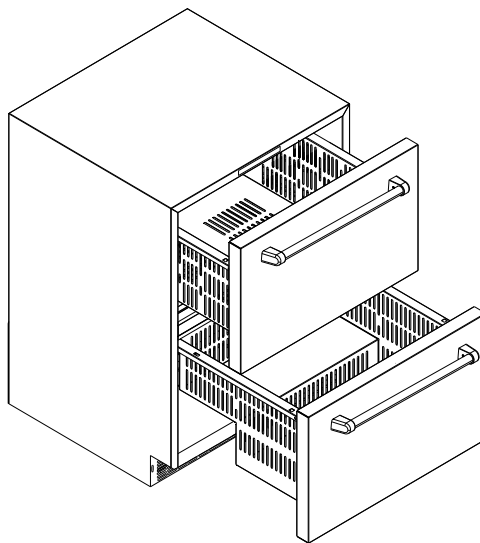


BEFORE INSTALLATION

| PRODUCT SPECIFICATIONS | | |
|--------------------------------|--|--|
| Model | RDSO-ST-24 | RDSPO-24 |
| Description | Refrigerator Drawer Solid Stainless Steel Door | Refrigerator Drawer Panel-Ready Door |
| Weight | 127 lb (58 kg) | 122 lb (55 kg) |
| Voltage/Frequency/Max Amp Draw | 115VAC/60Hz/15A | |
| *Product Dimensions | 23 7/8" W × 23 3/16" D × 34" H 606 mm W × 589 mm D × 864 mm H | 23 7/8" W × 22 7/16" D × 34" H 606 mm W × 570 mm D × 864 mm H |
| Ambient Temperature Range | 50 °F–110 °F (10 °C–43 °C) | |
| Operating Temperature Range | 34 °F–65 °F (1 °C–18 °C) | |
| Shelf Configuration | 2 Full Depth Stainless-Steel Drawers | |
| Interior Capacity | 4.6 cu. ft | |
| Can/Bottle Storage Capacity | 168 cans or 100 bottles (12 oz) | |









*PRODUCT DIMENSION NOTES:

- Max height is 34 15/16" (887 mm).
- For RDSO-ST-24, the depth of 23 3/16" (589 mm) is from back of the refrigerator to the front of the stainless steel drawers.
- For RDSPO-24, the depth to the front of the panel-ready drawer is 22 3/8" (568 mm). Depth with overlay panel is 23 1/8" (587 mm).
- Full depth including handle is 25 5/16" (643 mm).
- Depth of the refrigerator cabinet only is 20 5/8" (524 mm).
- Depth with the drawers open and including the handle is 41 1/16" (1043 mm).



BEFORE INSTALLATION

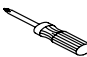

PROVIDED MATERIALS

| DESCRIPTION | IMAGE | QUANTITY |
|---|--|----------|
| Foot adjustment wrench |  | 1 |
| Anti-tip brackets |  | 2 |
| Screws for anti-tip brackets |  | 6 |
| * Door limiting pins |  | 2 |
| ** Screws for custom panel installation |  | 10 |
| Decorative plugs |  | 4 |
| Allen key |  | 1 |
| Divider |  | 1 |

* Not needed for RDSO-ST-24 and RDSPO-24 refrigerator drawer models.

** Not needed for stainless steel door models; see page 16 for panel-ready information.

MATERIALS NEEDED

| DESCRIPTION | IMAGE |
|------------------------------|--|
| Phillips-head screwdriver |  |
| Drill with Phillips-head bit |  |

INSTALLATION

BEFORE INSTALLING YOUR APPLIANCE

- Remove all exterior and interior packing and dispose appropriately.
- Before connecting the unit to the power source for the first time, let it stand upright for approximately 4 hours. This will reduce the possibility of a malfunction in the sealed cooling system from handling during transportation.
- Clean the interior surface with lukewarm water using a soft cloth and wipe dry.

INSTALLATION OF YOUR APPLIANCE

- This appliance is designed for freestanding, recessed, or built-in installation (fully recessed). Built-in installation is recommend to reduce risk of tipping.
- Place your appliance on a floor that is strong enough to support it when it is fully loaded. To level your appliance, adjust the front leveling legs at the bottom of the appliance with the provided wrench. Legs can be adjusted up to 1" (25 mm).
- Install the appliance in a location away from direct sunlight and sources of heat (stove, heater, radiator, etc.). Direct sunlight may affect the acrylic coating, and heat sources may increase electrical consumption. Extreme cold ambient temperatures may also cause the unit not to perform properly.
- Plug the appliance into a dedicated, properly installed and grounded outlet. Do not under any circumstances cut or remove the third (ground) prong from the power cord. Any questions concerning power and/or grounding should be directed toward a certified electrician or an authorized ZLINE service provider.
- While appliances are approved for outdoor use, it's recommended to avoid installing units in overly moist or humid areas. Too much moisture in the air will cause frost to form quickly on the evaporator requiring more frequent defrosting of the refrigerator.
- RWDO-GS-24, RWDPO-24, RBSO-GS-24, RBSPO-24, and RBSO-ST-24 units come with doors installed at the pre-set maximum door swing of 135°. If you desire to limit the door swing to 90°, insert the 2 provided door limiting pins into the pin hole on the top and bottom door hinges, as show in the image below.

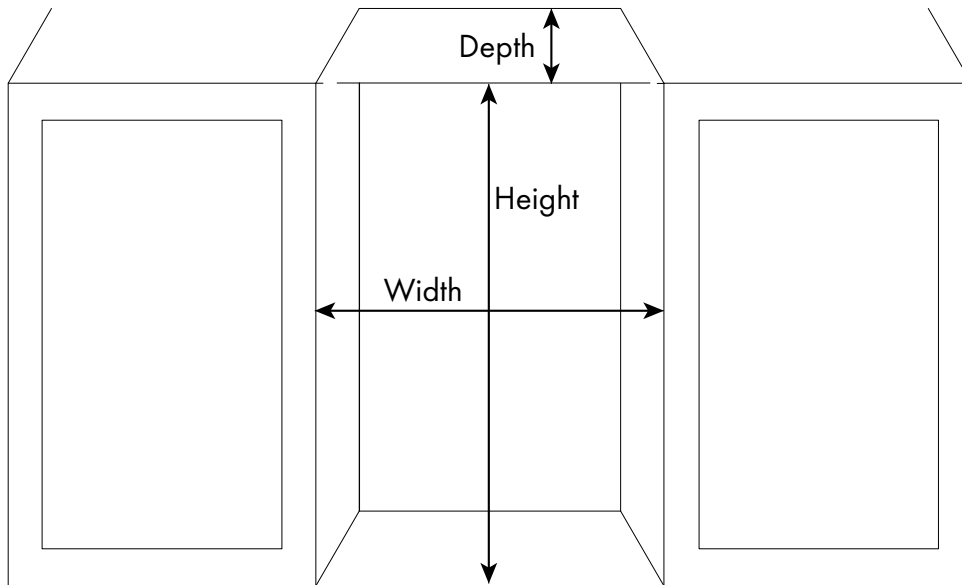


Door Limiting Pin Location

INSTALLATION

BUILT-IN CABINET INSTRUCTIONS

While this unit is designed for both built-in and freestanding installation, built-in installation is recommended to reduce risk of tipping. If you plan to use this unit in a built-in application, please follow the cabinet cutout requirements shown below.



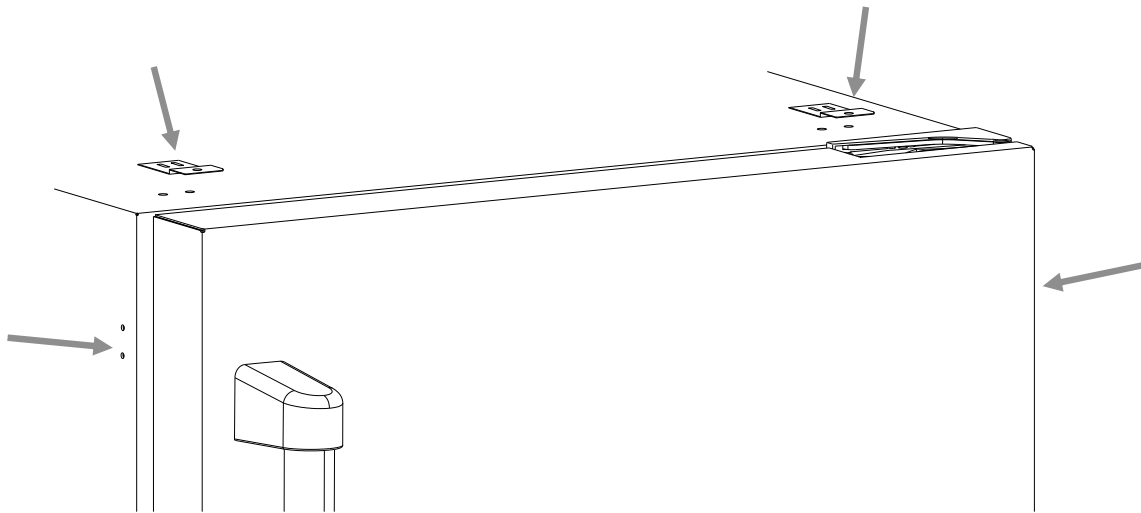
| RECOMMENDED CABINET OPENING DIMENSIONS | |
|--|---------------------------------|
| Width | 24" (610 mm) |
| Depth | |
| Height | 34 1/8"–35 1/8" (867 mm–892 mm) |

ADDITIONAL INSTALLATION NOTES:

- The height cut-out variance takes into account the minimum and maximum height of the unit (34"–34 15/16" or 864 mm–887 mm) depending on the legs being at their lowest and highest setting. Since kitchen cabinet layouts vary, consult a professional installation technician when considering a built-in cabinet installation.
- Depth is based off standard cabinet depths of 24" (610 mm) and also allows for ample space at the rear of the unit for the electrical cord to be plugged into a properly installed dedicated wall outlet.
- RWDO-GS-24, RWDPO-24, RBSO-GS-24, RBSP0-24, and RBSO-ST-24 units should be installed a minimum of 11" (280 mm) away from a side wall. This distance is required to obtain full swing (135°) of the door.
- If using limiting pins to obtain a 90° door swing (for non refrigerator drawer models), the minimum distance the appliance should be installed when adjacent to a wall is 2 3/4" (70 mm); this ensures enough room for the handle to not hit the wall.

INSTALLATION

INSTALLING THE ANTI-TIP SYSTEM



1. Once you've determined the appropriate height and have ensured the appliance is level, position the unit at the front of the cutout to install the anti-tip system, which is necessary to reduce risk of tipping.
2. Using a Phillips-head screwdriver or drill, secure the 2 anti-tip brackets to the top of the unit using 4 of the provided screws, 2 for each bracket, making sure the lips of the brackets are facing up and out, as outlined in the image above.
3. Plug the power cord into the wall and push the unit into the cutout, using care to not tangle or damage the power cord.
4. Once the appliance is in the cutout, secure the anti-tip brackets into the countertop above using the last 2 screws.
5. If the brackets for the anti-tip system cannot be secured above the appliance and no wood is available, relocate the brackets for the anti-tip system to the side of the appliance for securing into an adjacent cabinet, using the same process as above.



WARNING The anti-tip system must be properly engaged to avoid the unit tipping over and increasing risk of serious injury or death.

NOTE: The above diagram shows the process on a RBSO-ST-24 model; the anti-tip system installation process is the same for all models represented in this manual, including RDSO-ST-24 and RDSPO-24 drawer units.

INSTALLATION

REVERSING THE DOOR SWING

RWDO-GS-24, RWDPO-24, RBSO-GS-24, RBSPO-24, RBSO-ST-24 MODELS ONLY

This appliance has the capability of the doors opening from either the left or right side. The unit is delivered to you with the doors opening from the left side (Figure 1). Should you desire to reverse the opening direction (Figure 2), follow the instructions below. **NOTE:** A second person is recommended with this task due to the weight of the door.

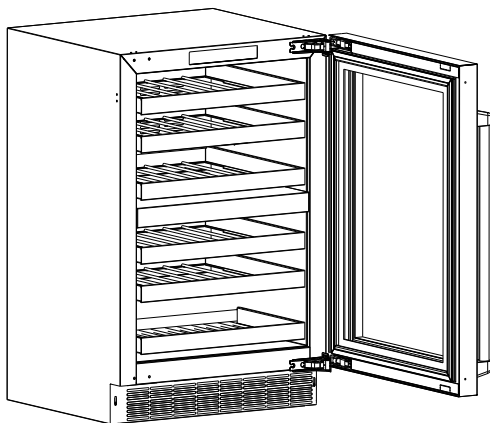


Figure 1

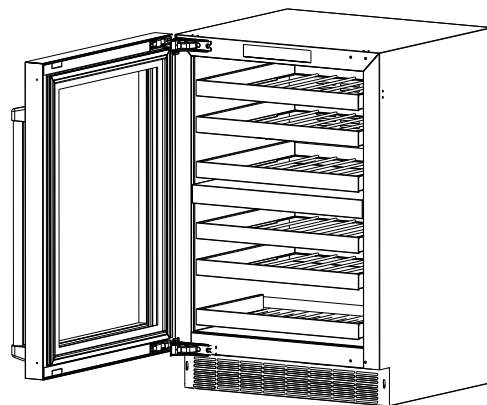


Figure 2



Make sure the appliance is fully disconnected from power before performing this task to avoid risk of electric shock.

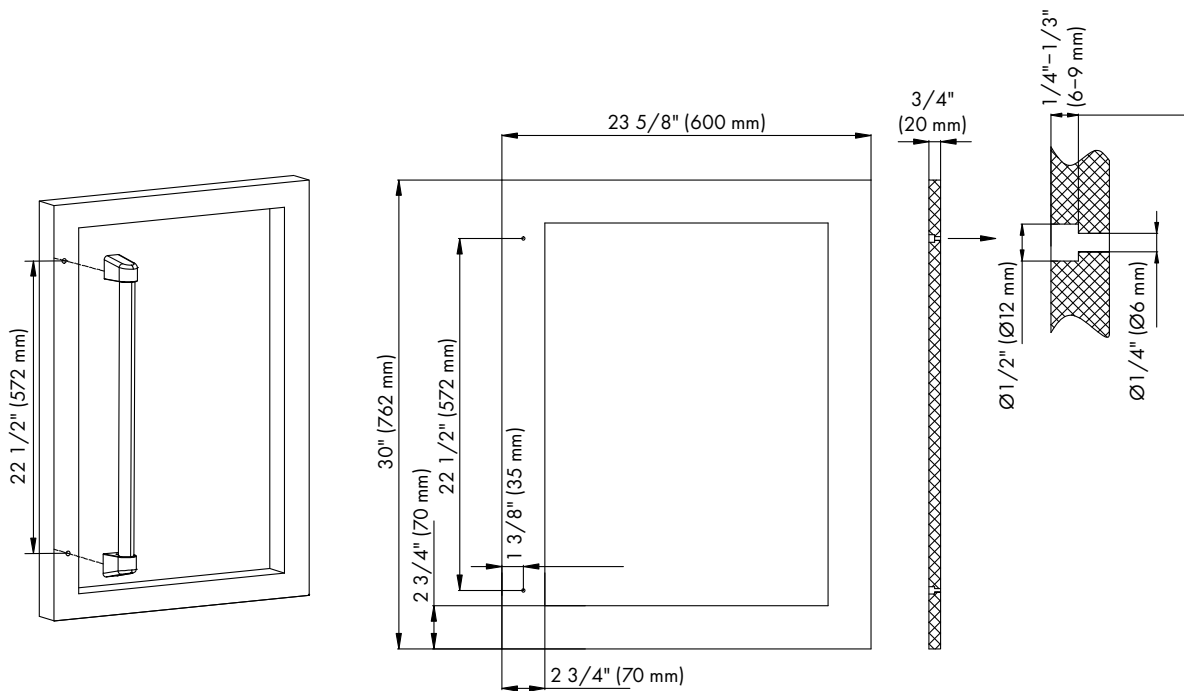
1. With the door open, use a drill or screwdriver to remove the 4 screws at the top and bottom of the left side of the appliance cabinet face. Save the screws to reinstall once the door reversal is complete.
2. Loosen the outer top and bottom screws on the right-side hinges. Do not fully remove these screws to avoid the door falling and creating risk for injury.
3. Next, completely remove the inner top and bottom screws on the right-side hinges.
4. Initially secure the 2 removed screws about 3 turns into the left-side outer top and bottom screw locations where the screws were removed in step 1.
5. Carefully slide the door from the 2 screw keyholes on the right-side hinges that were not fully removed in step 2 and lift the door off the hinges.
6. Rotate the door 180° and slide the hinges on the 2 partially installed left-side screws from step 4.
7. Remove the 2 screws loosened in step 2 from the right-side hinges and install them in the open inner holes in the left-side hinge location. Tighten all screws.
8. Close the door and check for proper alignment. If needed, loosen the 4 screws enough to slide the door as needed fine tune the alignment, then re-tighten all 4 screws.
9. Re-secure the 4 screws removed in step into the 4 open holes on the right side.

INSTALLATION

COOLER INTEGRATED DOOR PANEL INSTALLATION

HANDLE INSTALLATION

Prior to installing a custom integrated panel around the glass door on RWDPO-24 and RBSP0-24 models, handle(s) need to be affixed to the panel first. If you wish to install a ZLINE Autograph Edition handle onto your custom panel, reference the measurements displayed in the diagrams below regarding where to affix the mounting studs.



INSTALLATION

COOLER INTEGRATED DOOR PANEL INSTALLATION

RWDPO-24 and RBSPO-24 models are manufactured without door panels and handles. To install a custom integrated panel around the glass door, follow the instructions and dimensions below and on the next page. **NOTE:** Custom handles need to be affixed to the panel prior to installing the panel onto the appliance (see page 15). Finish all sides of the custom panel. They may be visible when the door is open.



WARNING

Make sure the appliance is fully disconnected from power before installing a door panel to avoid risk of electric shock.

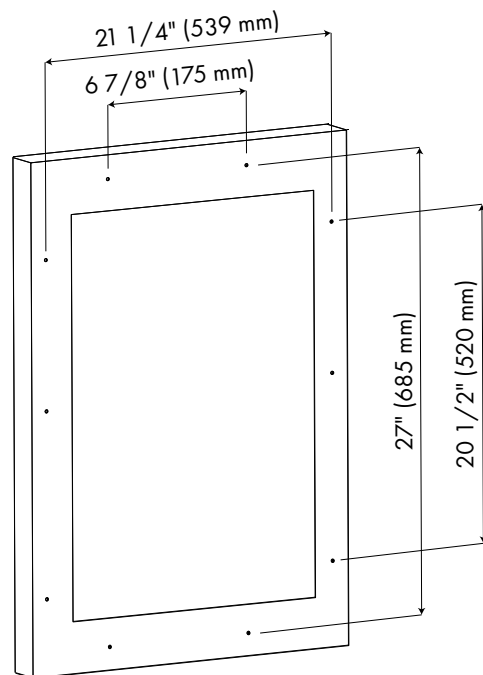
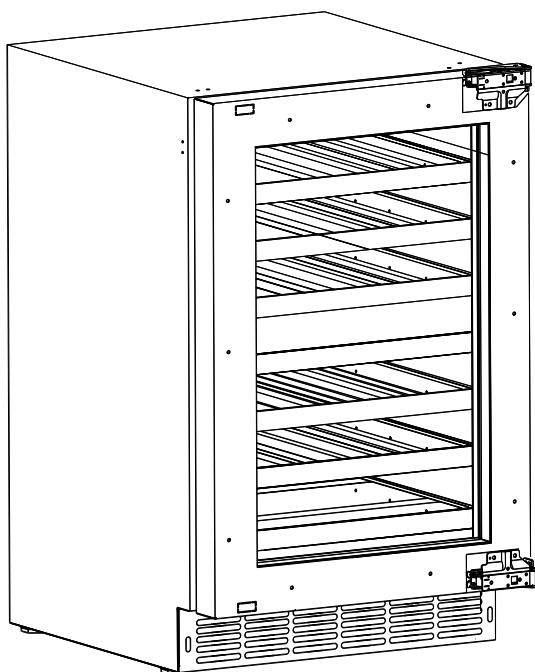


CAUTION

We recommend consulting a professional installer/carpenter when fabricating a custom panel in wood or another material, as the dimensions provided must be precisely followed to achieve optimal integration and appliance operation.

PREPARING THE INTEGRATED PANEL

The dimensions in the figure below represent precise distances between the middle of the corresponding screw holes. When cutting/fabricating the panel, use these measurements so the screw holes align to ensure a flush installation onto the panel-ready door.



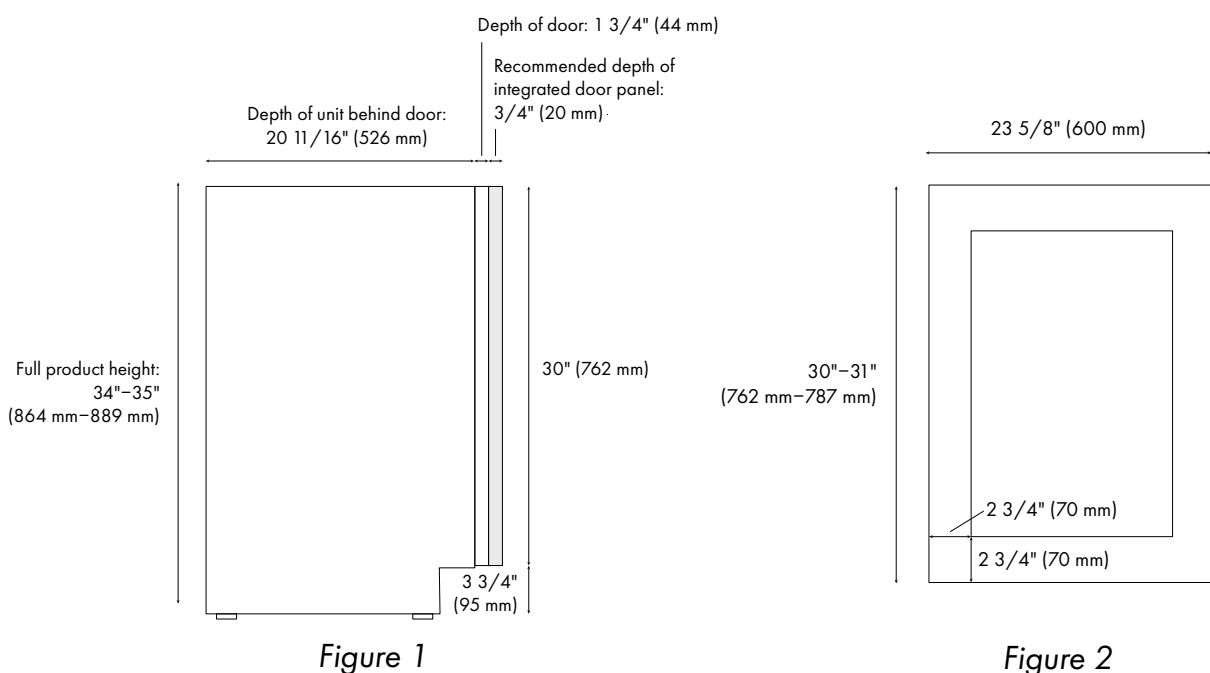
INSTALLATION

COOLER INTEGRATED DOOR PANEL INSTALLATION

1. Remove the door from the unit as outlined in the steps on page 14.
2. By hand, remove the rubber door seal to access the panel mounting holes. Set the seal aside and place the door face side up on a stable surface.
3. Place the panel onto the door and align the top to be flush with the top of the door.
4. Adjust the overlap of the panel — panel width ($23 \frac{5}{8}$ " or 600 mm) is slightly smaller than the product ($23 \frac{7}{8}$ " or 606 mm) — so it is equal on both sides of the door.
5. Secure the custom door panel to the door using 10 provided wood screws — 3 on each side and 2 apiece at top and bottom — using a drill or screwdriver, using the precise measurements provided on page 16.
6. Once installed, replace the door seal by hand. Be sure the seal is properly sealed.
7. Reinstall the door to the unit as outlined in the steps on page 14.

INTEGRATED DOOR PANEL DIMENSIONS

- Reference the dimensions below when fabricating your custom integrated panel.
- Figure 1 is a side view of the unit, showing how the panel (in gray) fits over the panel-ready door. A panel depth of no more than $\frac{3}{4}$ " (19 mm) is recommended.
- Figure 2 shows a front view of a custom panel; follow these precise specifications when cutting/fabricating the panel to perfectly align with the panel-ready door.

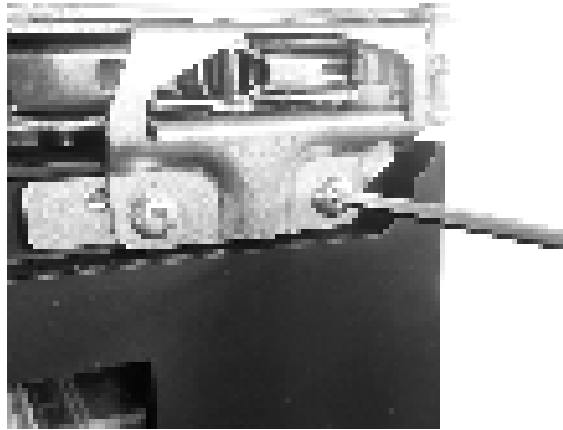


INSTALLATION

COOLER INTEGRATED DOOR PANEL INSTALLATION

DOOR HINGE TIGHTENING

The appliance's door hinges may loosen over time, which is normal with regular use. Use the provided Allen key to loosen or tighten screws securing the hinges to the door as necessary, as outlined in the image below for RWDPO-24 and RBSP0-24 models. For RBSO-GS-24, RWDO-GS-24, and RBSO-ST-24 models, hinge screws are located behind the rubber door seal. You can easily remove the upper corners of the seal by hand to access the screws.

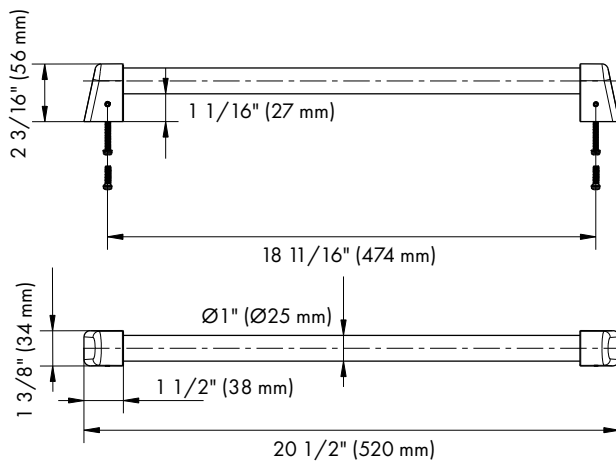


INSTALLATION

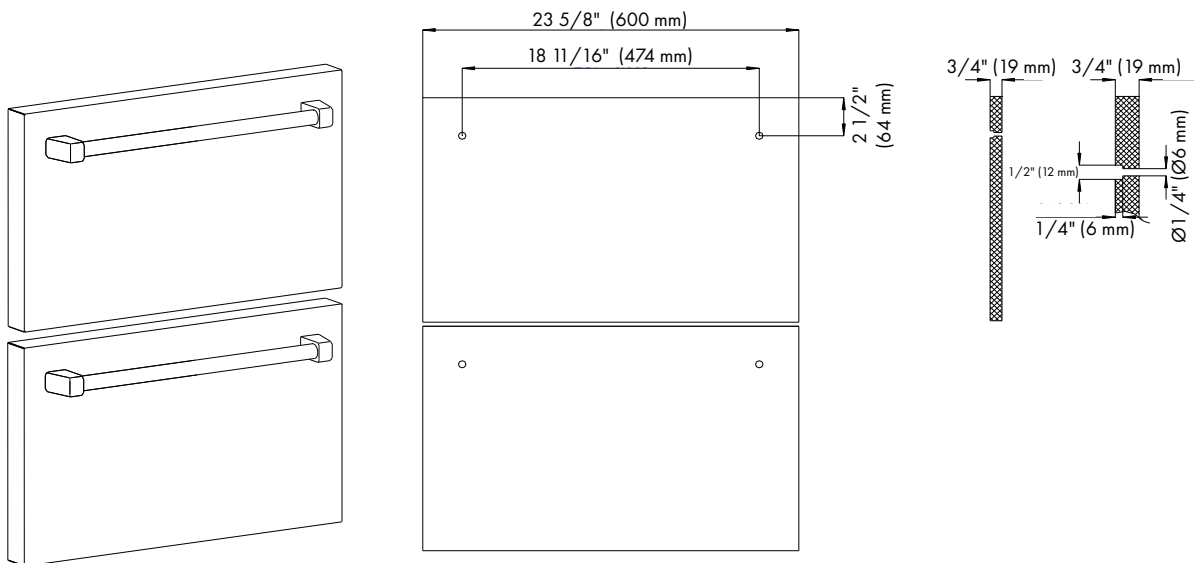
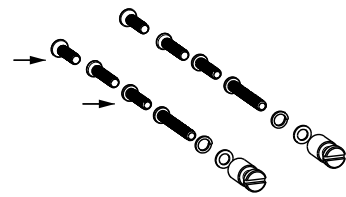
DRAWER INTEGRATED DOOR PANEL INSTALLATION

HANDLE INSTALLATION

Prior to installing a custom integrated panel on the doors of the RDSPO-24 model, handles need to be affixed to the panel first. If you wish to install a ZLINE Autograph Edition handle onto your custom panel, reference the measurements displayed in the diagrams below regarding where to affix the mounting studs.



For Refrigerator Drawer models, use the included M5x20 to install the studs.

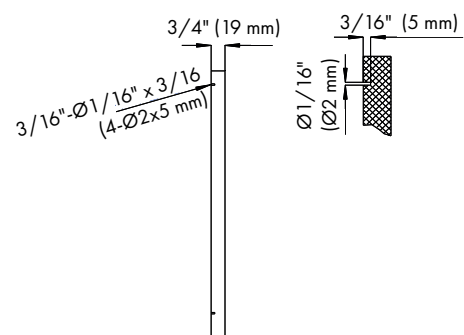
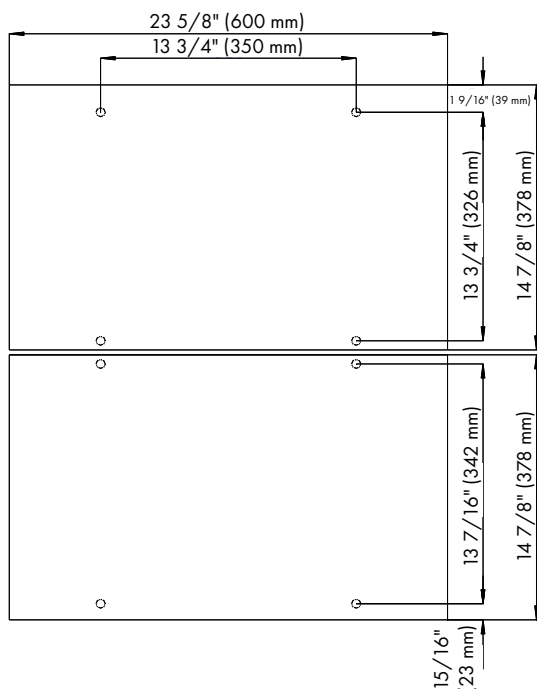
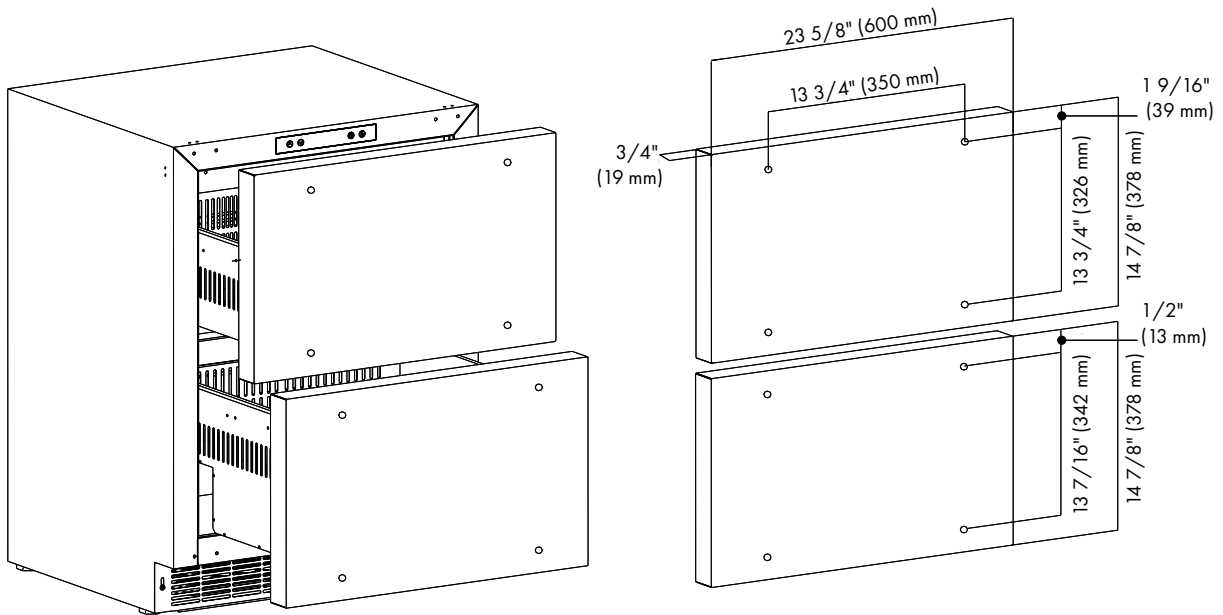


INSTALLATION

DRAWER INTEGRATED DOOR PANEL INSTALLATION

PREPARING THE PANEL

RDSPO-24 models are manufactured without drawer door panels and handles. The dimensions in the figure below represent precise distances between the middle of the corresponding screw holes. When cutting/fabricating the panel, use these measurements so the screw holes align to ensure a flush installation onto the panel-ready door.

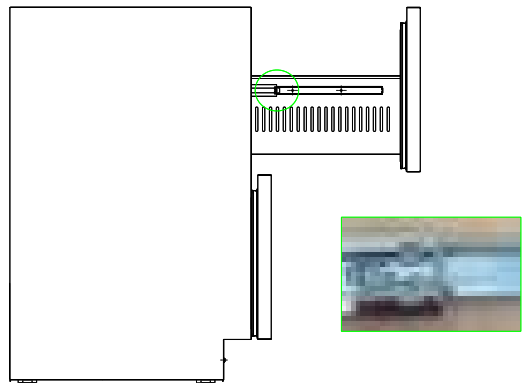


INSTALLATION

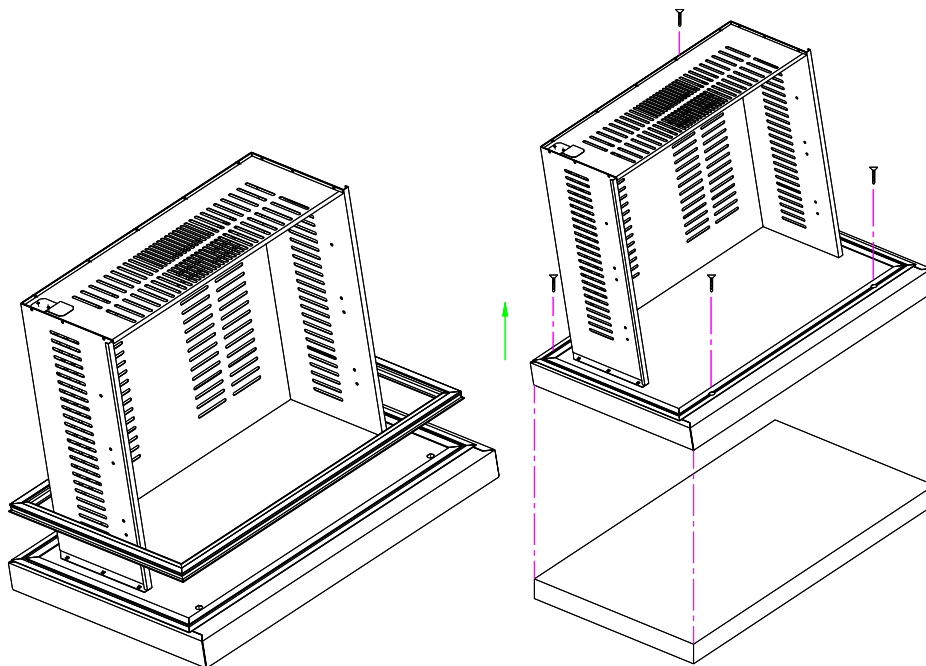
DRAWER INTEGRATED DOOR PANEL INSTALLATION

DOOR PANEL INSTALLATION

1. Hold the clips on the slider to remove the upper drawer from the unit.



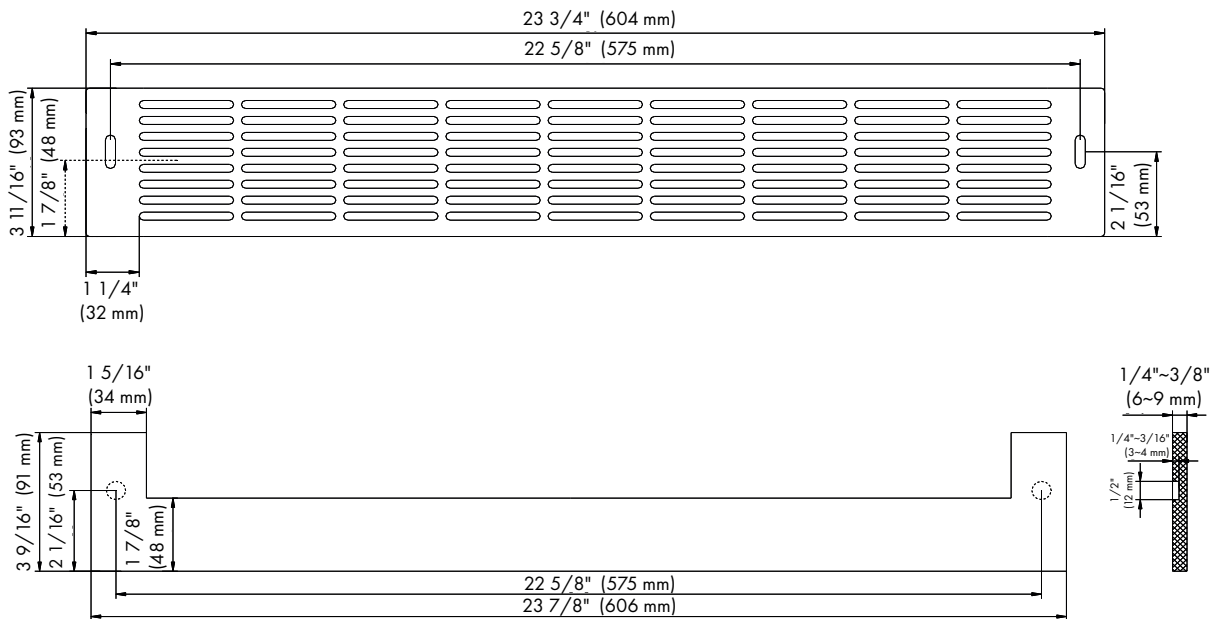
2. Gently pull the door gasket away from the door starting at the corner
3. Adjust the overlap of the custom door panel so it is equal on both sides of the door. Secure the custom door panel to the door using wood screws. Then replace the door gasket.
4. Repeat the same process to install door panel for the lower drawer.
5. Install both drawers back.



INSTALLATION

DRAWER INTEGRATED DOOR PANEL INSTALLATION

GRILL/PLINTH INSTALLATION



NOTE: When finishing the grill/plinth, be sure to stain front, back and all edges to prevent warping. Apply double-sided tape to the surrounding edges of the integrated grill/plinth as shown above. Remove the backing paper from the double-sided or hook and looptape. Carefully align the grill/plinth over the integrated grill/plinth and press into position.

INSTALLATION

ELECTRICAL CONNECTION

- For your personal safety, this appliance must be properly grounded. In the event of an electrical short circuit, grounding reduces the risk of shock by providing an escape wire for the electric current.
- This appliance is equipped with a cord having a grounding wire and a grounded plug. The plug must be inserted into an outlet that is properly grounded and installed. For standard indoor installation, it's recommended that a dedicated electrical circuit suitable for a NEMA 5-15 outlet serving only your appliance be used; please ensure the outlet is easily accessible.
- The ground wire cannot be connected to a gas pipe, heating pipe, water pipe, telephone line or lightning rod.
- The grounding wire cannot be replaced with the neutral wire of single-phase power.
- In addition to the ground wire, an electrical leakage circuit breaker is also required. Consult a qualified electrician if you do not completely understand these grounding instructions.
- Using an outlet with a ground fault circuit interrupter (GFCI) is not recommended.



WARNING

Do not under any circumstances cut or otherwise remove the third (ground) prong from the power cord. Doing so increases the risk of electric shock, injury, and/or death.



WARNING

We do not recommend using an extension cord because of potential safety hazards under certain conditions. If one is used on this appliance, it may void the warranty.

- For outdoor installation, an electrical leakage circuit breaker is required. Further, if outdoor installation in a moist or damp location is unavoidable, an electrician must install a ground fault circuit interrupter (GFCI) electrical outlet.



WARNING

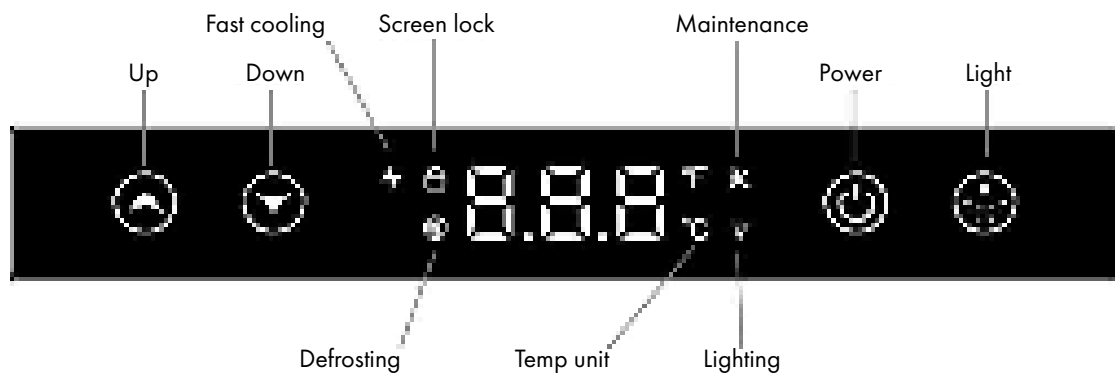
If no GFCI is properly installed, electrical shock, injury, and/or death could result. Consult a qualified electrician if you do not completely understand these grounding instructions.

OPERATION

PRIOR TO OPERATING THE UNIT

- While this unit is capable of operating in ambient temperatures between 50 °F–110 °F (10 °C–43 °C), it is recommended you install the appliance in a place where the ambient temperature is generally between 60 °F–90 °F (16 °C–32 °C).
- If the ambient temperature is above or below these recommended temperatures, the performance of the unit may be affected.
- For example, placing your unit in extreme cold or hot conditions may cause interior temperatures to fluctuate. This means the desired interior temperature ranges may not be reached. See more on page 30.

CONTROL PANEL LAYOUT AND OPERATION



OPERATION

ON/OFF

After plugging in the appliance for the first time, it will be in "stand by" mode, and "OFF" will display on the screen. Press the "POWER" button once to start the unit. Press and hold "POWER" for 3 seconds to turn off the unit and return to "stand by" mode. The factory preset temperature for all models is 38 °F (3 °C), except for wine cooler models. The preset for wine cooler models is 45 °F (7 °C).




TEMPERATURE SETTING

Press "UP" or "DOWN" once to start the temperature setting. The current temperature setting will start flashing. Then press "UP" or "DOWN" to increase or decrease the temperature setting by 1 °F/ °C intervals. Settings will stop at the minimum and maximum levels once you reach them. The setting value will auto save after 10 seconds or if the door is closed.

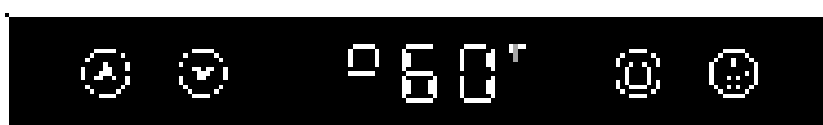


DUAL ZONE WINE COOLER TEMPERATURE SETTINGS

For models RWDO-GS-24 and RWDPO-24, this symbol  in front of the temperature indicates the upper or lower zone temperature. Press "UP" or "DOWN" once to adjust the temperature setting, then press "LIGHT" to toggle from the upper zone and lower zone setting.

The default temperature setting for the upper and lower zones are 60 °F and 45 °F (16 °C and 7 °C). Settings will stop at the minimum and maximum levels once you reach them. The setting value will auto save after 10 seconds or if the door is closed.

Upper Zone



Lower Zone



OPERATION

TEMPERATURE DISPLAY SETTING

Press and hold "UP" for 6 seconds to toggle the panel display temperature between the setting temperature and the real-time temperature of the cabinet interior. The factory preset temperature display mode is the setting temperature. For faster and more efficient cooling, close the appliance door after setting the desired temperature.



TEMPERATURE UNIT SETTING

Press and hold "UP" and "DOWN" for 3 seconds to toggle the temperature unit to Celsius or Fahrenheit. Press and hold again to revert.



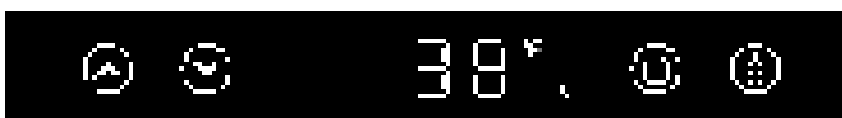
SUPER COOL

Press and hold "UP" and "POWER" for 6 seconds to enter and exit the "super cool" mode, which will more rapidly chill your appliance. This mode will auto exit after the desired temperature is reached and the super cool symbol will disappear.



LIGHT CONTROL

Press "LIGHT" once to switch the light on/off when the door is open. Press and hold "LIGHT" for 6 seconds to enter/exit the "light on" mode. In this mode, the light will stay on for 6 hours, with or without door open.



OPERATION

ANTI-SWEAT CONTROL (DRAWER MODELS ONLY)

Press and hold "DOWN" and "LIGHT" for 6 seconds to enter anti-sweat control. The anti-sweat is off by default. Press "UP" or "DOWN" to switch on/off. P0 is off, P1 is on. Setting will autosave and exit in 10 seconds.



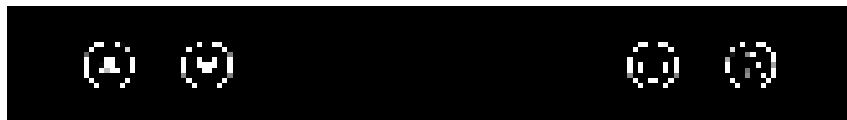
AUTOMATIC DEFROSTING

The automatic defrosting symbol will illuminate, as seen below. During automatic defrosting, the unit's compressor stops for 30 minutes for every 6 hours of the system running.



SABBATH MODE

Press and hold "UP" and "LIGHT" for 6 seconds to toggle on/off "Sabbath mode." This mode will shut off the screen display, operating sounds, and light while the unit still runs automatically according to the previous temperature setting.



OPERATION

SHOWROOM MODE

To enable this function, first hold the power button for 3 seconds to enter standby mode. When the display shows "OFF", press and hold "DOWN" and "LIGHT" for 6 seconds to toggle on/off the showroom mode. This functional can only be turned on/off when in standby mode. The showroom indicator will light up. This mode is for dealers to display the unit. Only the light and the evaporator fan will function in this mode. All alarms are disabled except for the door open alarm.



SCREEN LOCK

Press and hold "POWER" and "LIGHT" for over 6 seconds to lock/unlock the screen to prevent children or others from operating the appliance. When locked, the symbol below will illuminate.



DOOR OPEN ALARM

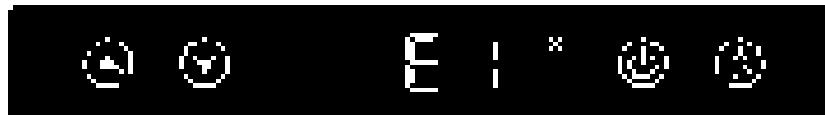
If the door has been left open for more than 5 minutes, the alarm will sound along with a door icon flashing in the display. The alarm will stop by closing the door or press any key.



OPERATION

ERROR ALARMS

This refrigerator has built-in alarm system feature that activates when the unit detects any malfunction in the sealed cooling system. If the temperature display window displays **Lo**, **E I**, or **Hi**, and the "ALARM" indicator begins flashing, please proceed to "Troubleshooting" on page 33.



WINE STORAGE TEMPERATURES

- While certain wines store best at temperatures between 56 °F–58 °F (13 °C–14 °C), your unit also allows you to store wine at drinking temperatures.
- Generally, red wine should be kept at 60 °F–61 °F (16 °C) and white wine, which is usually served chilled, is best kept at 54 °F –55 °F (12 °C).
- Sparkling wines should be kept at about 46° F (8 °C). For beer and soft drinks, choose the temperature setting that is most agreeable to you and your guests.

OPERATION

ENERGY-SAVING TIPS AND OTHER NOTES

- Do not place the unit next to a heating vent, a range/oven, or in direct sunlight.
- Keep the door closed as much as possible, especially in hot, humid weather.
- Cover foods and beverages to reduce moisture buildup inside the appliance.
- A temperature sensor records the average temperature of the unit. Since cold air falls and warm air rises, there will be a temperature variation from the bottom to the top of the unit, meaning the bottom of the unit will always be slightly colder,
- The control panel controls the average temperature of the unit. The temperature displayed on the control panel is the instantaneous average temperature of the unit; as such, variations of anywhere from 1 to 6 degrees is normal.
- When fully loaded with room temperature product, the unit will operate continuously for as long as 24 hours to reduce the temperature inside the cabinet to the desired point. Under normal conditions, when the unit has been on for 6 hours, it will stop working for about 30 minutes to defrost automatically.



Damages caused by ambient temperatures of 40 °F (4 °C) or below are not covered by the warranty. To temporarily stop cooling, unplug the unit. To shut down for longer periods, disconnect and leave the door partially open.

- While this unit is designed to operate between 50 °F and 110 °F (10 °C and 43 °C), higher ambient temperatures may reduce the unit's ability to reach low temperatures.
- Optimal results are obtained at temperatures between 65 °F and 80 °F (18 °C and 27 °C) for built-in models and between 65 °F and 90 °F (18 °C and 32 °C) for freestanding models.

NOTE: If you unplug the refrigerator, allow at least 3 minutes before plugging it back in. The unit may not restart in less than 3 minutes.

- The refrigerator section of the unit comes with a removable divider to help organize groceries.
- To unlock the divider, turn the knob on top counterclockwise.
- Using the same knob, adjust the divider left to right and/or top to bottom to create sections within the unit.
- To lock the divider, turn the knob on top clockwise.

CARE AND MAINTENANCE



Make sure the appliance is fully disconnected from power before performing any cleaning or maintenance to avoid risk of electric shock or injury.

NOTE: Periodic cleaning and proper maintenance will ensure efficiency, top performance, and long life of the appliance.

CLEANING THE EXTERIOR

Clean the exterior stainless steel with a cloth dampened in mild soapy water. After cleaning, dry thoroughly with a soft cloth and polish with a stainless steel cleaner. To clean the door or drawer gasket, use only mild soapy water. Never use harsh cleansers or scouring pads to clean any part of your unit.

CLEANING THE INSIDE

Remove any contents inside the refrigerator. Rinse the inside surfaces with plain water and thoroughly dry the interior, including stainless steel racks and glass shelving. Avoid getting excess water inside the machine since it will flow into the water trap near the compressor and possibly overflow.

DEFROSTING THE UNIT

The unit uses an automatic defrost system in which the refrigerated surfaces of the unit defrost automatically. Defrost water drains into a hole in the floor of the storage compartment and is channeled into a drain pan located at the back of the unit near the compressor. Heat transferred from the compressor evaporates any water that has collected in the pan. Be sure the drain hole in the floor of the unit is clear and unobstructed.

START-UP AFTER LONG-TERM STORAGE

1. If stored outside, it is recommended that the unit again be thoroughly inspected per the storage instructions above to address any dirt or debris from the weather and/or animals/insects.
2. Once fully cleaned, connect the unit to electrical power.
3. Turn unit on and confirm your desired control settings.
4. Allow 24 hours for the unit to stabilize before loading contents.

CARE AND MAINTENANCE

WINTERIZING YOUR UNIT

If an outdoor refrigerator will be exposed to temperatures of 40 °F (4 °C) or less, perform the following steps to winterize the unit so it will keep it in good condition while facing the winter elements. It is important to clean and dry this appliance to prevent severe mold and mildew growth from engulfing the fridge's interior.

1. Turn the unit OFF by pressing the POWER button on the control panel.
2. Remove all food and drink contents from the refrigerator.
3. Unplug the unit from the power outlet. It is also recommended that the power to the outlet be turned-off if the circuit is not required for other appliances.
4. Place all cords in a small bag or tie them together with a plastic zip-tie.
5. If necessary, move the unit so you can gain access to the rear of the product.
6. Remove the front toe kick at the bottom of the unit by removing 2 Phillips-head screws on each side. Then, use a brush and vacuum to clean dirt and debris from beneath the unit. Thoroughly clean the toe kick and re-install on the unit.
7. Remove the screws securing the rear access cover and use a brush and vacuum to clean dirt and debris from the machine compartment.
8. Check if the plastic defrost drain pan located near the compressor contains water; use a sponge to remove as much water as possible.
9. Thoroughly clean the rear access cover and re-install on the unit.
10. Clean the exterior and interior of refrigerator thoroughly. Wipe down and dry the refrigerator with cloths or paper towels after it has been cleaned. Ensure all water has been removed from the unit.
11. Leave the refrigerator door or drawers open to prevent formation of mold and mildew. Open the door a minimum of 2" (51 mm) to provide the necessary ventilation.
12. It's recommended to not cover up the unit during winterization, as this may trap condensation. If you are concerned about exposure to the elements, use a synthetic cover that will not hold moisture to protect the appliance, though the door should remain open as much as possible.
13. After completion of the above, you may choose to store the unit indoors, although this is not required.

TROUBLESHOOTING

| ISSUE | POSSIBLE SOLUTION |
|---|---|
| Unit does not turn on | Not plugged in. |
| | Fuse blown or circuit breaker tripped. |
| | Press power button on control panel. |
| Noise or vibration | Check that unit is level. If not, adjust leveling legs. |
| Unit is too warm | Check that door is properly closed and sealed. |
| | Check temperature setting. To change the temperature setting, follow the steps in "Control Panel Layout And Operation" on page 24 of this manual. |
| | Check if door has been opened frequently or recently filled with product. |
| Unit develops condensation on external surfaces | Check that the unit is properly exposed to excessive humidity. Moisture will dissipate as humidity levels decrease. |
| Temperature window displays E1 | This error code indicates the thermostatic sensor has malfunctioned. Contact ZLINE Customer Service at 1-614-777-5004 for assistance. |
| Temperature window displays Lo | This error code indicates the actual temperature is much lower than your set temperature. Try restarting. Unplug the unit and wait at least 3 minutes before plugging back in. If the problem isn't fixed, contact 1-614-777-5004 for assistance. |
| Temperature window displays H1 | <p>This error code indicates the actual temperature is much higher than your set temperature. Possible causes are:</p> <ul style="list-style-type: none"> • The door might not be fully closed. • The refrigerant may have leaked. • The unit may have been recently loaded with room temperature product. • The control panel may not be functioning properly and should be replaced. <p>If you are certain the door is not the cause of the problem, contact 1-614-777-5004 for assistance.</p> |

WARRANTY

COVERAGE

ZLINE Kitchen and Bath ("ZLINE") wine coolers and beverage refrigerators have a two year parts and service warranty and a five year parts warranty on the unit's sealed cooling system.

ZLINE warranty periods begin from the original date of product delivery and solely cover the original purchaser of the product, delivered new and in its original carton. The limited warranty covers all parts and labor for necessary repairs if any part of the product, or the product itself, proves to be defective in materials or workmanship.

The product must be deemed serviceable via troubleshooting with the ZLINE Customer Experience team. All service on ZLINE products under warranty must be performed by ZLINE-approved and ZLINE-certified service providers unless otherwise specified by ZLINE. Service will be provided during normal business hours.

Products must be unobstructed and accessible to the service provider at the time of service. ZLINE's liability is limited to the original purchase price of the product. Additional injuries, losses, damages, or other inconveniences caused by product malfunction or defects in materials are not covered under the terms of this warranty.

TERMS

ZLINE warranties apply only to the original purchaser of a ZLINE product installed for normal residential use. This is defined as a single-family, residential dwelling in a non-commercial setting. Any warranty claim stemming from installation, operation, or any other use within a commercial setting is not covered under this limited warranty. Commercial settings include, but are not limited to: schools, churches, hotels, restaurants, vacation rentals such as Airbnb, daycare centers, private clubs, fire stations, common areas in multi-family dwellings, nursing homes, food service locations, and institutional food service locations such as hospitals or correctional facilities.

This warranty is non-transferable and will not under any circumstance be extended based on the date of installation — the warranty period takes effect from the date of delivery and only covers the original purchaser. The warranty applies only to products installed in the contiguous United States and the District of Columbia.

WARRANTY

Failure to secure certified warranty service per these terms will result in a forfeiture of the remaining warranty. Out-of-pocket payments will not be reimbursed unless prior approval is received from ZLINE and/or ZLINE-certified service contract partners. Unapproved out-of-pocket payments for service will not be reimbursed. All warranty procedures must be followed to maintain warranty coverage.

If a product qualifies within the service window provided under these warranty terms, and ZLINE is unable to repair the product or a defective part of the product after a reasonable number of attempts, ZLINE reserves the right to offer to replace the defective part or the product or provide the original purchaser a full refund of the purchase price of the product (not including installation, removal, or other charges that were not included in the original purchase price).

The original purchaser of the product must provide the original proof of purchase, including the purchase date, when filing a claim to obtain replacement parts, service, or refunds. Additionally, the original purchaser of the product must provide the serial number of the product when filing a claim to obtain replacement parts, service, or refunds.

This warranty shall not apply to any ZLINE product in which the original factory serial number has been removed, altered, or cannot be readily determined for any reason. Further, ZLINE is not responsible for damage resulting from, but not limited to: shipment, delivery, or improper installation; negligence or improper maintenance, misuse, or abuse of the product; unauthorized alteration, modification, or tampering with the product; accident, fire, floods, pest infestations, pandemics, natural disasters, or any other unpreventable or unexplained acts of nature, commonly referred to as "acts of God"; flare-up fires or damages caused by improper electric supply, electrical line current, voltage, or power surges; and service to correct installation not in accordance with the instructions contained in ZLINE's product manuals and/or with local government codes.

In the event service is dispatched, and it is discovered that the reported issue is not covered under warranty based on the disclaimers above, the customer will be responsible for all service fees. Failure to pay these fees will result in the forfeiture of remaining warranty coverage.

WARRANTY

Information contained within ZLINE's installation and user manuals, in addition to product information included on ZLINE's website and all related digital listings, do not cover every possible condition and situation that may occur during the installation or operation of ZLINE products.

ZLINE reserves the right to make changes at any time to its products when considered safe, necessary, and useful. Always check the ZLINE website for the most up-to-date version of its product manuals: www.zlinekitchen.com/pages/manuals.

Do not install or operate any ZLINE product if it has missing or broken parts or if it arrives damaged due to shipping. If ZLINE products arrive damaged, contact ZLINE Customer Experience at 1-614-777-5004 for help. Failure to report a damaged appliance prior to installation or operation may void the warranty.

ZLINE disclaims responsibility for damage or injury caused by improper installation or use of any of its products. ZLINE is under no obligation, by law or otherwise, to provide concessions, including repairs, prorates, rebates, discounts, or replacements, once the warranty has expired.

SERIAL NUMBER LOCATION



Please write down the model number and serial number of your appliance. The model number and serial number are located on the rating label on the back of your unit. In some models, the serial number may also be located on the top center of the interior on your appliance. See example of an RWDPO-24 to the left; label locations are similar across all Touchstone models. Both numbers are needed to obtain warranty service. Do not remove permanently affixed labels, warnings, or plates from the product. This will void the warranty. You may also consider attaching your receipt or proof of purchase to this manual.

WARRANTY

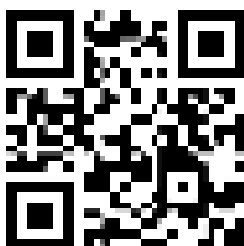


SERVICE

For warranty service, please contact our Customer Service team at 1-614-777-5004 or visit www.zlinekitchen.com/contact to utilize our online Customer Experience Portal.



Scan the QR code to view the most up-to-date version of our Installation Manual and User Manual.



Need to purchase a part or accessory for your ZLINE product? Visit www.zlineparts.com, ZLINE's official parts distribution partner.

2.2.0

1-614-777-5004

www.zlinekitchen.com

contact@zlinekitchen.com

ZLINE
ATTAINABLE LUXURY®