



SAPPHIRE

Adapting to Your Environment

Clear Ice Machines • Wine • Refrigerators • Beverage Centers • Drawers

Sapphire Series 3 15" Crescent Ice Maker Operator's Manual

SCIM153SS Indoor&Outdoor Model

SapphireAppliances.com | 1.866.754.6672

⚠ WARNING

California Proposition 65

Certain components in this product and its related accessories contain chemicals known to the state of California to cause cancer, birth defects or other reproductive harm.

PRODUCT REGISTRATION INFORMATION

Please record your model's information. You will need to know this information whenever you call to request information or service. The model's information appears on a serial number plate.

Model Number: _____

Serial Number: _____

You can register your appliance at:

SapphireAppliances.com

Or

Fill out the provided Warranty Registration Card and mail in.

Your Serial Tag is located on the Right, inside of your Sapphire appliance. We recommend using your cellphone to take a picture of the Serial Tag so you can record the Model and Serial numbers here and for any future reference.



Congratulations on your new SAPPHIRE Ice Maker. To ensure proper operation, please read this Operator's Manual carefully before using this product. Keep this manual in a safe place for future reference.

TABLE OF CONTENTS

SAFETY	6
SAFETY DEFINITIONS	6
SAFETY PRECAUTIONS	7
SPECIFICATIONS	8
INSTALLING THE UNIT	9
REQUIRED CABINET OPENING	9
BUILT-IN CABINET DIMENSIONS	9
ELECTRICAL CONNECTION	10
AVOIDING USE OF EXTENSION CORDS	10
CONNECTING THE WATER SUPPLY	11
LEVELING THE UNIT	12
REVERSING THE DOOR	13
ANTI-TIP SYSTEM	14
OPERATING THE UNIT	15
Important: Ensuring Ice Freshness and Quality	15
OTHER OPERATING TIPS	15
Initial Start-up	15
EXPECTING NORMAL SOUNDS	17
DEALING WITH POWER FAILURE	17
CARE AND MAINTENANCE	18

CLEANING AND MAINTAINING THE UNIT	18
Cleaning the condenser	18
Extended Periods of Non-Use.....	19
Recommissioning the Unit	19
Starting Up the Unit.....	19
TROUBLESHOOTING	20
DISPOSING THE UNIT	22
WARRANTY	23

NOTES

1

SAFETY

SAFETY DEFINITIONS

The words DANGER, WARNING, CAUTION and NOTICE are used throughout this manual to highlight important information. Be certain that the meanings of these alerts are known to all who operate and install the appliance.

DANGER

Indicates a hazardous situation that, if not avoided, *will* result in death or serious injury.

WARNING

Indicates a hazardous situation that, if not avoided, *could* result in death or serious injury.

CAUTION

Indicates a hazardous situation that, if not avoided, *could* result in minor or moderate injury.

NOTICE

Indicates a situation that can cause damage to the appliance and/or the environment, or cause the appliance to operate improperly.

SAFETY PRECAUTIONS

POWER CORD PRECAUTIONS

- Do not use the appliance if the power cord is damaged. If the power cord is damaged, have a qualified electrician replace the power cord.
- Never lift, carry or drag the appliance by the power cord.
- Do not connect or disconnect the electric plug when your hands are wet.
- Never unplug the appliance by pulling on the power cord. Always grip the plug firmly and pull straight out from the outlet.

MOVING PRECAUTIONS

- When moving the appliance, do not turn it upside-down and do not unlevel it more than 45 degrees.
- Do not move the appliance without emptying it and securing the door in the closed position.

INSTALLING PRECAUTION

- Connect to potable water supply only.

OTHER PRECAUTIONS

- To ensure proper ventilation for the appliance, keep obstructions away from the front of the unit.
- Keep fingers out of the “pinch point” areas. Clearance between the door and cabinet are necessarily small. Be careful closing the door when children are in the area.
- Do not touch the evaporator with your hand when the appliance is operating.
- Do not attempt to repair or replace any part of your appliance unless this manual specifically recommends it. Have a qualified technician perform all other service on the unit.
- Children 8 years of age and older and people with reduced physical, sensory or mental capabilities or lack of experience and knowledge can use this appliance if they have been given supervision or instruction concerning use of the appliance in a safe way and they understand the hazards involved.
- Never allow children to operate, play with or crawl inside the appliance.
- Never allow children to clean and maintain the machine without supervision.
- Do not use the appliance other than for its intended purpose.
- Do not touch the condenser surfaces. They are sharp and can be easily damaged.

CLEANING AND MAINTENANCE PRECAUTIONS

- Never clean the appliance parts with flammable fluids. Do not store or use gasoline or other flammable vapors and liquids in the vicinity of this appliance or any other appliances. The fumes can create a fire hazard or explosion.
- Do not use solvent-based cleaning agents or abrasives on the interior. These cleaners may transmit taste to the ice cubes, or damage or discolor the interior.
- If the appliance will not be used for a long time, thoroughly clean it before the next use. Carefully follow any instructions provided for cleaning or the use of sanitizing solution. Do not leave any solution inside the appliance after cleaning.

THE MANUFACTURER DISCLAIMS ANY RESPONSIBILITY IF THE ABOVE INSTRUCTIONS ARE NOT FOLLOWED.

2

SPECIFICATIONS

SAPPHIRE SERIES 3 15-INCH PREMIUM CRESCENT ICE MAKER

FEATURES	15-INCH PREMIUM INDOOR/OUTDOOR CRESCENT ICE MAKER
Electrical Requirement	115V/60Hz
Maximum Amp Fuse	15 amp
Ice Production Capacity 70°F (21°C)	25 lbs
Ice Quantity per Cycle	12 Cubes
Ice Shape	Crescent Cube
Ice Storage Capacity	22 lbs



3

INSTALLING THE UNIT

WARNING

Fire/Explosion Hazard

DO NOT install in spaces containing gasoline engines, fuel tanks or fuel line fittings. This device does not meet federal requirement for ignition protection.

IMPORTANT:

Plumbing and Electrical Tips

- A licensed plumber must install this appliance.
- This appliance must be installed with all electrical and water connections in accordance with state and local codes.
- This unit requires a standard electrical supply properly grounded in accordance with National Electrical Code and local codes and ordinances.
- The fuse (or circuit breaker) size should be 15 amperes for 115V.
- The manufacturer recommends that you provide a separate circuit that services only your appliance. Use receptacles that cannot be turned off by a switch or pull chain.
- Plug the appliance into a grounded three-prong outlet. Do not remove the grounding prong, do not use an adapter, and do not use an extension cord.
- Do not kink, pinch or damage the power supply cord between the ice machine and wall or cabinet.
- Before connecting the ice machine to the power source, let it stand upright for approximately 4 hours. Following this step will reduce the possibility of a malfunction in the cooling system brought on by handling during transportation.
- Make sure to install on level surface and ensure waterline not kinked.

Tips on Moving and Setting up the Unit

CAUTION

Tip Hazard

Be sure to use caution when working around an uninstalled unit. The unit is capable of tipping over if it is not installed and properly anchored.

- Use two or more people to move and install the appliance. Failure to do so can result in back or other injury.
- Remove the packing materials and clean the appliance before using it.

Factors Affecting the Unit

- Install this unit in an area protected from the elements (for example, wind, rain, water spray or drips).
- The ambient operational temperature should be between 50°F (10°C) and 100°F (38°C). The input water temperature should be between 41°F (5°C) and 90°F (32°C). Operating the machine outside these temperatures may result in lowered production or other adverse effects.
- Never keep the appliance next to ovens, grills or other high-heat resources.
- Keep the appliance on a hard, level surface that can support the unit when the unit is full. Keep the ice machine level to help ensure it works properly. Keeping an ice machine on an unlevel surface may cause water to flow improperly through the evaporator (ice mold) and will reduce ice production. You may need to make several adjustments to level the unit. If necessary, adjust the height of the ice machine by turning the feet. See “Leveling the Unit” on page 14.
- To ensure proper service access and ventilation, all Sapphire units should not have the grill openings covered. There are no additional requirements for venting at the top, side or rear of the unit.
- These units are to be installed under a counter. Follow the recommended spacing dimensions listed in this manual. Place all electrical and water supplies and drain fixtures in the recommended locations.

Water Supply Tips

- The ice machine requires a continuous water supply with a minimum pressure of 15 psi (0.1 MPa) and a static pressure not to exceed 80 psi (0.5 MPa).
- The manufacturer recommends filtering the water. A water filter helps remove taste, odors and particles. Using softened water may result in white, mushy cubes that stick together. Avoid using deionized water.
- Ensure that the water supply hose is not pinched, kinked or damaged during installation.
- Check for leaks after connecting the water line.

REQUIRED CABINET OPENING

WARNING

Fire/Explosion Hazard

DO NOT install in spaces containing gasoline engines, fuel tanks or fuel line fittings. This device does not meet federal requirement for ignition protection. Failure to comply could result in injury or death.

A built-in installation will allow you to install the ice machine under a counter or in a kitchen cabinet if you respect the required clearance space around the ice machine. The appliance must be located to allow clearance for water and electrical connections in the rear of the unit.

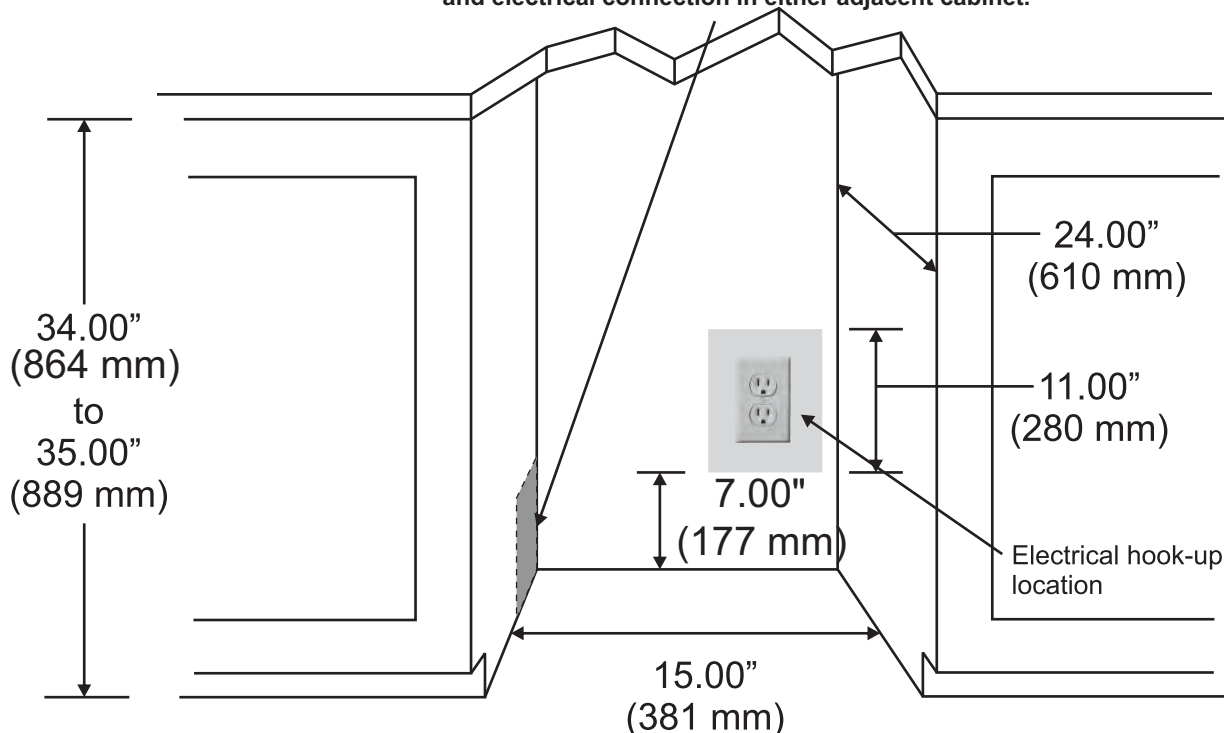
BUILT-IN CABINET DIMENSIONS

A built-in installation requires for a water line and plug clearance for proper operation. A built-in unit is designed for zero clearance at the top and each side of the unit. The unit uses fan-forced condenser cooling, which requires air circulation through the lower section of the unit.

NOTE: To ensure proper service access and ventilation, all SAPPHIRE units should not have the grill openings covered. There are no additional requirements for venting at the top, side or rear of the unit.

SAPPHIRE 15-INCH INDOOR BUILT-IN CABINET DIMENSIONS

Recommended location for waterline, drain line, and electrical connection in either adjacent cabinet.



NOTICE

- *If you remove the feet from the bottom of the unit, reinstall the mounting screws into the bottom of the cabinet to avoid damage to components mounted to the base pan.*
- *Ensure that the air path for the grill remains unrestricted. Any restriction of air flow through the grill will disrupt normal operation of the unit, resulting in damage to components, and voids warranty.*
- *Connect the unit to a potable water supply only.*
- *The minimum distance the unit needs to be installed when adjacent to a wall is 7.5" (90mm) is required to obtain full swing (115°) of the door. This distance make sure the handle does not hit the wall or adjacent cabinetry.*

ELECTRICAL CONNECTION

Do not, under any circumstances, cut or remove the third (ground) prong from the power cord.

For personal safety, you must properly ground this appliance. The power cord of this appliance features a three-prong grounding plug that mates with a standard three-prong grounding wall outlet to minimize the possibility of electric shock hazard from the appliance. Have a qualified electrician check the wall outlet and circuit to make sure the outlet is properly grounded. It is your responsibility and obligation to have a standard two-prong wall outlet replaced with a properly grounded three-prong wall outlet.

Always plug the appliance into its own individual electrical outlet. The voltage rating of the outlet must match the rating label on the appliance. This match provides the best performance and also prevents overloading the electrical circuits, which could cause a fire hazard from overheated wires.

Never unplug your appliance by pulling on the power cord. Always grip the plug firmly and pull straight out from the outlet.

Repair or replace immediately all power cords that have become frayed or damaged. Do not use a cord that shows cracks or abrasion damage along its length or at either end.

When moving the appliance, take care not to damage the power cord.

If the supply cord suffers damage, have the manufacturer, its service agent, or similarly qualified persons replace the supply cord to avoid a hazard.

AVOIDING USE OF EXTENSION CORDS

Because of potential safety hazards under certain conditions, the manufacturer strongly recommends that you do not use an extension cord with this appliance.

WARNING

Electrical Shock Hazard

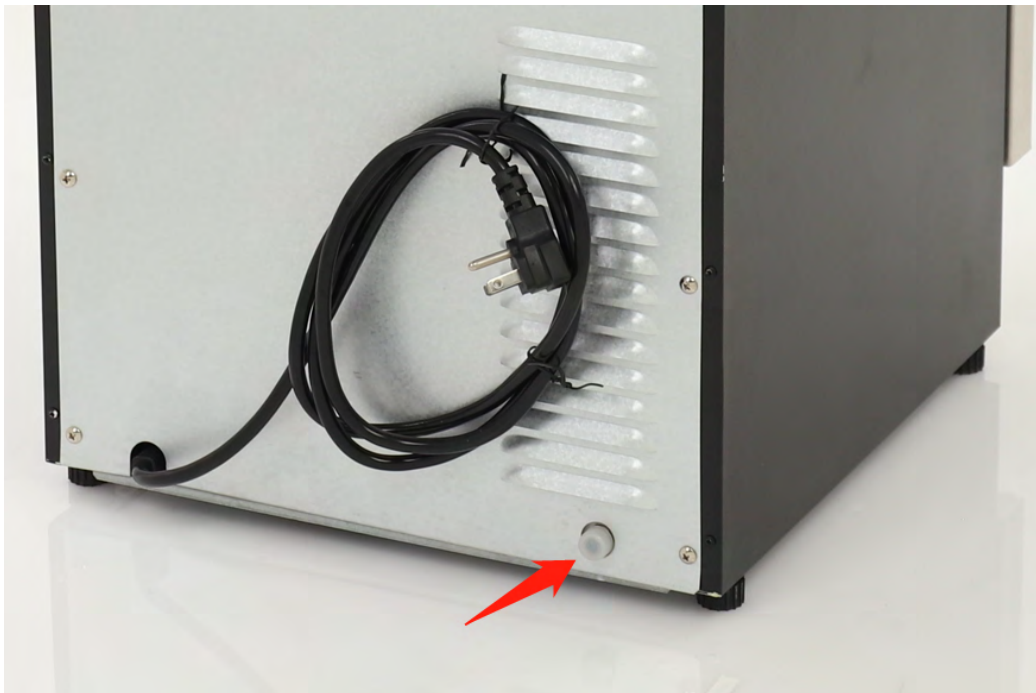
Be sure the floor surfaces surrounding the appliance are dry before plugging in and removing the power cord to the outlet to prevent electrical shock.

CONNECTING THE WATER SUPPLY

WARNING: Connect to potable water supply only.

All the necessary hardware is **not provided** (as the plumbing fixtures at the installation point may differ) for installation, so it is necessary to hire a professional licensed plumber to complete the installation.

- Connect the water supply tube to the nearest cold water source. Connect sufficient tubing to the unit to allow the appliance to be moved freely for cleaning and service. Also make sure that the tubing is not pinched or damaged during transportation/installation.
- Wipe out inside of unit and ice bucket with a damp cloth.
- Turn on the main water supply and tap. Check for leaks in the water supply connection. Tighten all connections.



LEVELING THE UNIT

The appliance requires leveling before it can work properly. If necessary, raise or lower the unit by turning the four leveling feet on the bottom. The manufacturer recommends using a carpenter's level to check the appliance.



NOTICE

It is extremely important that the ice machine is level. If it is not level, production of uneven ice will occur.

Adjust all four leveling feet evenly so that the top of the appliance is at the desired installation height and is level.

1. On a level surface, place a carpenter's level on top of the appliance to see if it is level from front to back and side to side.
2. Adjust the height of the leveling feet as follows:
 - Turn the leveling feet to the right to lower that side of the appliance.
 - Turn the leveling feet to the left to raise that side of the appliance.

REVERSING THE DOOR

This appliance has the capability of the door opening from either the left or right side. The appliance is delivered to you with the door opening from the left side. Follow these instructions should you desire to reverse the opening direction:

1. Check that the power cord is unplugged

2. Unscrew the hinge axis



3. Remove the door



4. Unscrew the top left hinge



5. Install it to the bottom right.



6. Unscrew the bottom left hinge



7. Install it to the top right



8. Unscrew the door limiter from the bottom of the door



9. Install the limiter to the bottom left. (used to be bottom right)



10. Insert the door to the bottom hinge



11. Recover the top hinge



12. Completed



Accessories: door close assist mechanism



ANTI-TIP SYSTEM

1. On built-in installations, once the appliance is in place and leveled, secure the two anti-tip brackets underneath the countertop using the two provided screws.
2. If the brackets for the anti-tip system cannot be secured above the appliance and no wood is available, relocate the brackets for the anti-tip system to the side of the appliance for securing into an adjacent cabinet.

4

OPERATING THE UNIT

IMPORTANT: ENSURING ICE FRESHNESS AND QUALITY

- Although the unit has been tested and cleaned at the factory, discard the first batch of ice cubes due to long-term transit and storage.
- If you do not use the ice maker regularly, the manufacturer recommends emptying the ice bin periodically to ensure ice freshness.

OTHER OPERATING TIPS

- Keep the air intake and exhaust free of dust and lint to allow free air flow.
- Never touch the evaporator when the unit is running.
- Keep the door closed to reduce ice melting and to promote proper ice formation. Open the door only when taking ice from the appliance.
- Turn on the water supply tap before switching on the ice maker. Never turn the water supply tap off when the ice maker is working.

INITIAL START-UP OPERATION

- Plug the appliance into a 115/120v polarized and grounded wall electrical outlet.
- Place the on-off switch in the “I” position.
- Make sure the water supply is on. As soon as the inner mechanism reaches the proper temperature, the icemaker mechanism will fill the mold with water.
- The first cubes may be small because of air in the water line. Later cubes will be of standard crescent type size.
- Approximate time for the first cycle is between 30-40 minutes.
- Each cycle will take approximately 5 ozs of water. You should have a full bin, after 20 hours.



IMPORTANT: THROW AWAY ALL ICE FROM THE FIRST 3 HOURS OF OPERATION

- When the ice bucket is full, the ice making mechanism will automatically shut off.
- Ice delivery may be interrupted by raising the metal arm into an upright position.
- If the Ice Maker is not used regularly, it is recommended that the ice bucket be emptied periodically to ensure fresh ice.
- Sometimes the cubes may appear cloudy. this is due to the rapid freezing of the ice cube. This is the result of trapped air in the water and does not affect the taste and quality of the ice.
- The front grille should be kept free of dust and lint to allow free airflow.
NOTE: Do not store explosive substances such as as aerosol cans with a flammable propellant in this appliance!

IMPORTANT: THIS UNIT SHOULD BE DEFROSTED APPROXIMATELY EVERY 4-6 WEEKS OR WHEN FROST ON THE ICE MAKER WALLS IS EXCESSIVE OR ¼" THICK. TO DEFROST, TURN THE UNIT OFF, REMOVE CUBES AND KEEP DOOR OPEN AT LEAST TWO INCHES

EXPECTING NORMAL SOUNDS

Your new ice machine may make sounds that are not familiar to you. Hard surfaces like the floor and walls can make the sounds seem louder than they actually are. The following describes the kinds of sounds that might be new to you and the source of those sounds:

- Rattling noises may come from the flow of the refrigerant or the water line. Items store on top of the ice machine can also make noises.
- The high-efficiency compressor may make a pulsating or high-pitched sound.
- Water running from the evaporator to the water reservoir may make a splashing sound.
- As each cycle ends, you may hear a gurgling sound due to the refrigerant flowing in your ice machine.
- You may hear the sound of the condenser fan forcing air over the condenser.
- During the harvest cycle, you may hear the sound of ice cubes falling into the ice bin.

DEALING WITH POWER FAILURE

Most power failures are corrected within a few hours and should not affect the temperature of your ice machine if you minimize the number of times you open the ice machine door. If the power is going to be off for a longer period of time, take the proper steps to disconnect your appliance.

WARNING

Failure to unplug the ice machine could result in electrical shock or personal injury.

NOTE: When the ice machine is operating, the evaporator is only component that is cold to make ice. A power failure will only impact the machine making ice. The ice in the bin would slowly melt as normal.

5

CARE AND MAINTENANCE

CLEANING THE CONDENSER

WARNING

Electrical Shock Hazard

Always disconnect the power at the source before working on the unit.

CAUTION

Sharp Object Hazard

DO NOT touch the condenser surface. The condenser has sharp edges and can be easily damaged.

A dirty or clogged condenser prevents proper airflow, reduces ice-making capacity, and causes higher-than-recommended operating temperatures that may lead to component failure. Clean the condenser or have it cleaned at least once every six months.

1. Unplug the appliance or disconnect power.
2. Remove the two screws under the front of the unit. Gently pull on the grill and remove it.
3. Remove dirt and lint from the condenser and the unit compartment with the brush attachment of a vacuum cleaner.
4. Position the grill on the unit and secure it with the two screws.
5. Plug in the ice machine or reconnect power.

COMPLETE WINTERIZATION/LONG TERM STORAGE OF THE UNIT

If the outdoor ice maker will be exposed to temperatures of 40°F (4.4°C) or less, perform below steps to winterize your ice maker that will keep it in good condition while facing the winter elements. It is important to clean and dry this appliance to prevent severe mold and mildew growth from engulfing the fridge's interior.

1. Shut off the water supply at the main water valve.
2. Disconnect the water supply line from the valve.
3. Allow the unit to run for an hour or two until all remaining ice cubes have been ejected and all water has cycled through the system and has been made into ice cubes.
4. Pour away the water and ice that is in the ice bin.
5. Disconnect the unit from the main power source.

8. Dry out excess water from the ice maker assembly.
9. Leave the door propped open at least two inches.
10. Place all cords in a small bag or tie them together with a piece of scrap cloth.
11. If necessary, move the unit so you can gain access to the rear of the product.
12. Remove the front toe kick, and use a brush and vacuum to clean dirt and debris from beneath the unit. Thoroughly clean the toe kick and re-install on the unit.
13. Remove the rear access cover, and use a brush and vacuum to clean dirt and debris from the machine compartment.
14. Thoroughly clean the rear access cover and re-install on the unit.
15. Clean the exterior and interior of the ice machine thoroughly. Wipe down and dry the ice machine with rags or paper towels after it has been cleaned. Ensure all water has been removed from the unit.
16. Leave the door open to prevent formation of mold and mildew. Open door a minimum of 2" (50 mm) to provide the necessary ventilation.
17. Kindly advise no cover on the unit, as this can trap condensation. If you are concerned about exposure to the elements, use a synthetic cover that will not hold moisture to protect the appliance, though the door should remain open as much as possible.
18. After completion of the above, you may choose to store the unit indoors, although this is not required

START-UP AFTER LONG TERM STORAGE

1. If stored outside, it is recommended that the unit again be thoroughly inspected per the storage instructions above to address any dirt or debris from the weather and/or animals/insects.
2. Connect the water supply line, turn on the water, check for leaks.
3. Plug in the power cord to a wall outlet and turn the ice maker on.
4. Perform the cleaning procedure on page 18.
5. Turn on the unit to start ice making.
6. Discard the first batch of ice.

MOVING YOUR ICE MAKER

- Securely tape down all loose items inside your ice maker.
- Turn the leveling screws up to the base (their shortest length possible) to avoid damage.
- Tape the door shut.
- Make sure the ice maker stays in the upright position during transportation.

ENERGY SAVING TIPS

- The ice maker should be located in the coolest area of the room, away from heat sources, and out of the direct sunlight.

6

TROUBLESHOOTING

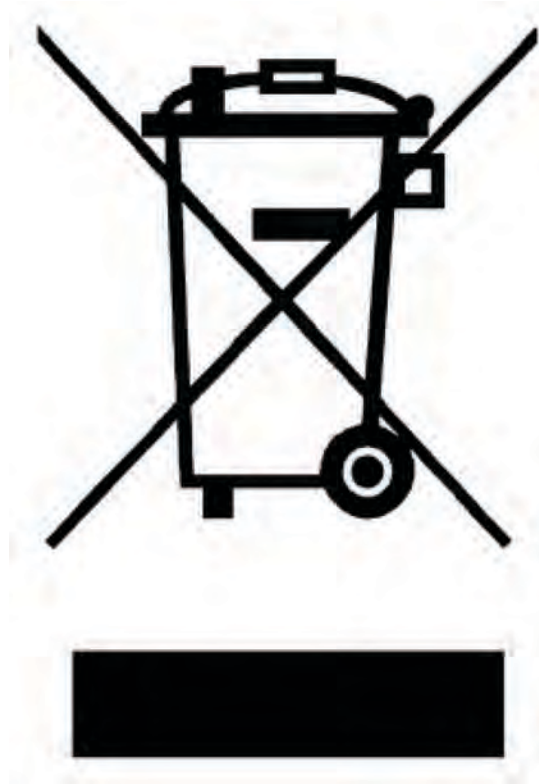
PROBLEM	POSSIBLE CAUSES	SOLUTIONS
<ul style="list-style-type: none"> The machine won't operate. 	<ul style="list-style-type: none"> The ice maker is unplugged. The ice maker power switch is OFF. The ice storage bin is full of ice. 	<ul style="list-style-type: none"> Plug the ice maker in. Verify that the control unit is properly programmed. Take away some ice cubes; make sure the "ice full" probe is free of ice.
<ul style="list-style-type: none"> The compressor works abnormally with a buzzing noise. 	<ul style="list-style-type: none"> The voltage is lower than recommended. 	<ul style="list-style-type: none"> Stop the ice maker and do not restart until the voltage is normal.
<ul style="list-style-type: none"> The water doesn't feed in after the ice maker starts. 	<ul style="list-style-type: none"> The water supply tap is turned off. The water supply pipe is not properly connected. The water filter is not installed or not installed correctly. 	<ul style="list-style-type: none"> Turn on the water supply tap. Reconnect the water supply pipe. Check that the water filter is installed correctly.
<ul style="list-style-type: none"> Machine makes ice, but bin does not fill up with ice. 	<ul style="list-style-type: none"> The condenser may be dirty. The air flow to the ice maker may be obstructed. The ambient temperature and water temperature are high, or it is near with some heat source. 	<ul style="list-style-type: none"> Clean the condenser. Check the installation. Run the unit for a longer period of time.
<ul style="list-style-type: none"> Water is leaking out of the unit. 	<ul style="list-style-type: none"> A few water droplets are on the door. The water supply connection is leaking. 	<ul style="list-style-type: none"> Under some conditions, humidity may condense on the door. Consider moving the unit or just be more careful when you open the door. Tighten water supply hose fitting.
<ul style="list-style-type: none"> Cubes are partially formed. 	<ul style="list-style-type: none"> There is not enough ice in the bin. 	<ul style="list-style-type: none"> Check if the water supply pressure is below 15 psi. Check the water supply. It may be restricted. Check for a water leak at the water trough.
<ul style="list-style-type: none"> Noise during operation. 	<ul style="list-style-type: none"> The feet are not leveled. Certain sounds are normal. 	<ul style="list-style-type: none"> Level the feet. See "Leveling the Unit" on page 12. See "Expecting Normal Sounds" on page 17.

PROBLEM	POSSIBLE CAUSES	SOLUTIONS
<ul style="list-style-type: none"> The ice made is too large and has pieces sticking together. 	<ul style="list-style-type: none"> The water temperature in the storage bin or ambient is too low. 	<ul style="list-style-type: none"> Stop the maker and reset the ice-making cycle. Restart the maker after turning it off.
<ul style="list-style-type: none"> Conditions for ice-making cycle are right but no ice is made. 	<ul style="list-style-type: none"> The refrigerant leaks and/or the sealed system is blocked. Water pressure is not properly set. 	<ul style="list-style-type: none"> Contact Sapphire Service Department. The recommended water pressure is 58 psi. Pressures must not fall below 15 psi and static pressure must not exceed 80 psi.
<ul style="list-style-type: none"> The ice maker stops suddenly while making ice. 	<ul style="list-style-type: none"> The electricity is off. The room temperature is out of the stated range. 	<ul style="list-style-type: none"> Reconnect the power supply line. Cut off the electricity and let the ice maker stop working until the temperature returns within the stated range.
<ul style="list-style-type: none"> The body of the ice maker is electrified. 	<ul style="list-style-type: none"> The ground line is not in the sockets. 	<ul style="list-style-type: none"> Use the correct plug and outlet.
<ul style="list-style-type: none"> Scale builds up quickly inside the machine. 	<ul style="list-style-type: none"> The calcium level in the water is too high. 	<ul style="list-style-type: none"> Use a water-softening apparatus installed in front of the water inlet valve.

For service on your appliance contact us at: sapphire@adcoservice.com or call 480-998-7877.

7

DISPOSING THE UNIT



This symbol on the product or its packaging indicates that you cannot treat this product as normal domestic trash; you must hand it in to a collection point for recycling electric and electronic appliances. Your contribution to the correct disposal of this product protects the environment.

Contact your local municipal authority if you need more information about recycling this product.

DANGER

Always remove the door and keep the shelves in place when discarding this appliance so children may not become entrapped.

WARRANTY

LIMITED WARRANTY COVERAGE

The Legacy Companies, warrants to the original purchaser of its SAPPHIRE products that they will be free from defects in materials and workmanship for the following time periods from the date of purchase shown on the sales receipt:

Two (2) year Parts & On-site Labor

Five (5) years Compressor Warranty (Parts only)

WARRANTY EXCLUSIONS

NO CONSEQUENTIAL DAMAGES: SAPPHIRE and The Legacy Companies are not responsible for any economic loss or special, indirect or consequential damages including without limitation; loss of revenue and loss or damage arising from food or product spoilage claims.

WARRANTY IS NOT TRANSFERABLE: This warranty is not transferable or assignable and applies only to the original verified purchaser.

NO IMPLIED WARRANTY OF MERCHANTABILITY OR FITNESS FOR PARTICULAR SERVICE: There are no other warranties statutory, express, or implied. This Limited Warranty is the exclusive warranty and made in lieu of all other warranties including any implied warranties or any warranties of merchantability or fitness for a particular purpose.

FILING WARRANTY CLAIMS: All warranty claims for SAPPHIRE products must be made directly through The Legacy Company's Technical Service Department. All claims should include: model and serial number, proof of purchase, date of installation, location purchased, and all pertinent information supporting the existence of the claim.

IMPROPER ELECTRICAL AND WATER CONNECTIONS: SAPPHIRE and The Legacy Companies are not responsible for the repair or replacement of any failed or damaged components resulting from electrical power failure, the use of extension cords, low voltage or voltage spikes to the unit. Likewise, repair or replacement attributable to low water pressure, high water pressure or contaminated water are not covered by this Limited Warranty.

IMPROPER USAGE: Neither SAPPHIRE nor The Legacy Companies assumes liability for parts or labor coverage for component failure or other damages resulting from improper usage or installation or failure to clean and/or maintain the product as set forth in the Owner's Manual provided with each unit.

CONSUMABLES: This warranty does not include consumable parts such as water filters and light bulbs.

ADJUSTMENTS & CALIBRATIONS: Adjustments including calibrations, leveling, tightening of fasteners, or utility connections normally associated with the original installation are the responsibility of the dealer, installer or the end user and not the responsibility of SAPPHIRE or The Legacy Companies and will not be considered warranty issues for this Limited Warranty.

CONSEQUENTIAL DAMAGES: This warranty does not cover any defect due to, or resulting from, ordinary wear and tear, handling, abuse, misuse, or harsh chemical action, nor shall it extend to any product from which the serial number has been removed or altered, or modifications made by unauthorized service personnel or damage by flood, fire, earthquake or other Acts of God.

OUTSIDE U.S. & CANADA: This warranty does not apply to, and SAPPHIRE and The Legacy Companies are not responsible for any warranty claims made on products sold or used outside of the United States and Canada or any territories of the United States of America.

ALL REPAIRS AND SERVICE MUST BE MADE BY A SAPPHIRE AUTHORIZED TECHNICIAN.

Customer Service: 1.866.754.6672
SAPPHIRE Appliances | The Legacy Companies
3355 Enterprise Avenue, Suite 160, Weston, FL 33331
email@sapphireappliances.com | SapphireAppliances.com

NOTES



“Sapphie”

The Beautiful & Adaptable
Sapphire-bellied Hummingbird
Lepidopyga lilliae

SAPPHIRE

SapphireAppliances.com | 866.754.6672
SAPPHIRE Appliances | The Legacy Companies
3355 Enterprise Avenue, Suite 160, Weston, FL 33331