

SDWD24P3

Top Control Wi-Fi Enabled Panel Ready Dishwasher

10 Wash Cycles

TrueSteam®

QuadWash®

Wi-Fi Enabled

LoDecibel Quiet Operation (45dBA)

EasyRack™ Plus

Height-Adjustable 3rd Rack

ENERGY STAR® Qualified

NeveRust™ Stainless Steel Tub

Direct Drive Motor 10-Year Limited Warranty



CAPACITY	
Total Place Settings	14
Upper Rack Dish Height Limit	6.5"
Lower Rack Dish Height Limit	11.8"
RACKS AND BASKETS	
EasyRack™ Plus System	Yes
Cutlery Baskets	Yes
Cup Rack	Yes
Stemware Holder	Yes
Fold Down Tines	Yes (Fully Fold on Upper & Fully Fold (Smart) on Lower)
Rack Handle	Yes (Upper & Lower)
Glide Rail	Yes (Upper)
Glide Wheel	Yes (Lower)
Height-Adjustable 3rd Rack	Yes (Easy One Touch (3 Level))
STYLE AND DESIGN	
Control Panel Location	Top Control
Touch Controls	Yes
Time Remaining Indicator	Yes (LED)
Tub Material	NeveRust™ Stainless Steel
Tub Light	Yes
Handle	Not Included
FEATURES	
TrueSteam®	Yes
QuadWash®	Yes
Direct Drive Motor	Yes
LoDecibel™ Quiet Operation	45dBA
Number of Wash Cycles	10 (Auto, Heavy, Delicate, Refresh, Normal, Turbo, Download Cycle, Machine Clean, Rinse, Express)
Number of Options	8 (Dual Zone, Half Load, Steam, High Temp, Extra Dry, Delay Start (Up to 12 Hours), Control Lock, Remote Start)
Number of Spray Arms	3 (Top, Upper, Lower)
SenseClean™ Wash System	Yes
Vario Wash	Yes
Detergent and Rinse-Aid Dispenser	Yes
Drying System	Auto Open Door
End of Cycle Indicator	Yes (Beeper + END indication on display)
Hidden Water Heater	Yes
Safety Float Switch (Leaks)	Yes
Soil (Turbidity) Sensor	Yes
Tub Insulation	Yes (Damping Sheet, Sound Absorbing Material (felt), Base)
BPA-Free Nylon Coated Racks and Tines	Yes
Balanced Door	Yes

SMART FEATURES	
Wi-Fi Enabled	Yes
POWER RATINGS	
ENERGY STAR® Qualified	Yes
CEE Tier	1
Energy Use (kWh/Year)	238 kWh/Year
Water Factor (WF)	2.9
DIMENSIONS/CLEARANCES/WEIGHT	
Product Dimensions (in) (W x H x D)	23 1/2" x 32 1/16" x 21 7/8"
Product Weight (lbs)	88 lbs.
Depth with Door Closed (except wooden panel) (in)	21 7/8"
Depth with Door Open (in)	48"
Carton Dimensions (in) (W x H x D)	27 3/4" x 33 7/8" x 27 3/4"
Shipping Weight with Carton (lbs)	99 lbs.
WARRANTY	
Labor & Parts	2 Year
Main Control Board and Rack Parts	5 Years
Stainless Steel Door Liner and Tub	5 Years
Direct Drive Motor	10 Years
UPC CODES	
SDWD24P3	195174053126

SDWD24P3

Top Control Wi-Fi Enabled Panel Ready
Dishwasher

QUICK INSTALL & CLEARANCES

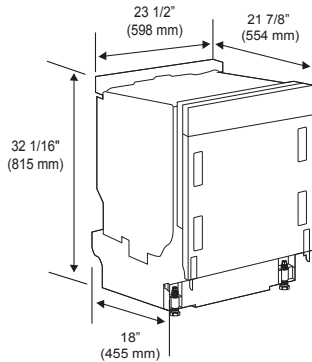
For full installation directions/clearances please refer to the corresponding User Manual and Installation Guide.

DIMENSIONS / CLEARANCES / WEIGHT

Product Dimensions (in) (W x H x D)	23 1/2" x 32 1/16" x 21 7/8"
Depth with Door Closed (except wooden panel) (in)	21 7/8"
Depth with Door Open (in)	48"
Carton Dimensions (in) (W x H x D)	27 3/4" x 33 7/8" x 27 3/4"

POWER RATINGS

ENERGY STAR® Qualified	Yes
CEE Tier	1
Energy Use (kWh/Year)	238 kWh/Year
Water Factor (WF)	2.9



Scan to see the online manual.

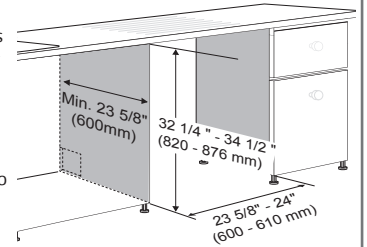


PREPARING CABINET OPENING

- This dishwasher is designed to fit a standard dishwasher opening. An opening may be needed on both sides to route plumbing and electrical connections.
- To ensure proper drainage, install the dishwasher no more than 12 ft. (3.65 m) from the sink.
- The location must have sufficient space for the dishwasher door to open easily and provide at least 0.1" (2 mm) between the dishwasher and the cabinet sides.
- If installing the dishwasher in a corner, leave a minimum of 2" (50 mm) between the dishwasher and the adjacent wall.
- The adjacent wall must be free of obstructions.
- For flush installations only, you may remove the cabinet brace inside the cabinet.

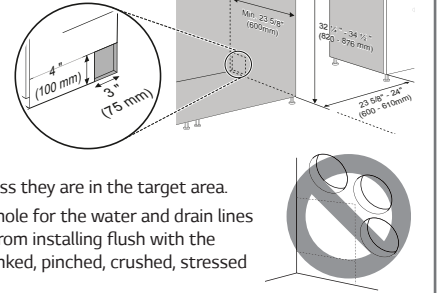
Choosing the Proper Location

- Select a location as close to the sink as possible for easy connections to water supply line, drain hose and electrical connection.
- To allow for proper clearance of plumbing and electrical, use the template included with the literature to determine the clearance on the side of the cabinet where the cabinet meets the back wall. Using a 2 1/2" diameter hole saw, drill a hole in the target area as shown on the template.



WARNING

- Installation damage is not covered by the warranty, and leaks caused by improper installation may result in property damage.
- Do not use existing holes unless they are in the target area.
- Failure to properly locate the hole for the water and drain lines may prevent the dishwasher from installing flush with the cabinets and could result in kinked, pinched, crushed, stressed or damaged lines.



PREPARING WATER AND ELECTRICAL CONNECTIONS

WARNING

Water Connection

- Do not reuse an old hose. Use only a new hose when installing the dishwasher. The old hose could leak or burst causing flooding and property damage. Contact an LG Customer Information Center for assistance in buying a new hose.

Electrical Connection

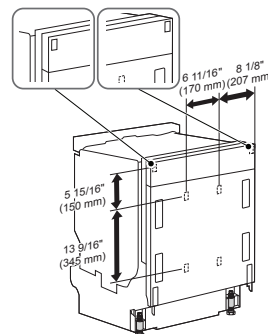
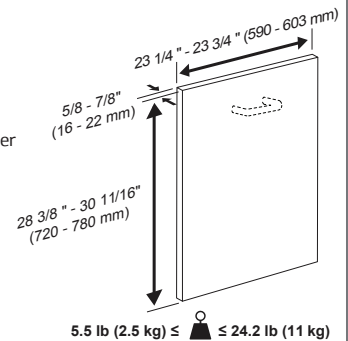
- Use a time-delay fuse or circuit breaker.
- Operate this appliance with the correct voltage as shown in this manual and on the rating plate.
- The wiring must be grounded properly. If in doubt, have it checked by a qualified electrician.
- The appliance and outlet must be positioned so that the plug is easily accessible.
- Do not use an extension cable or adapter with this dishwasher.
- Do not overload the outlet with more than one appliance.
- It is the personal responsibility and obligation of the product owner to have a proper outlet installed by a qualified electrician.

CAUTION

- When connecting the dishwasher water supply line to the house water supply, sealing tape or compound should be used on pipe threads to avoid leaks. Tape or compound should not be used on compression fittings.
- Connect the dishwasher to a hot water supply with a temperature range between 120 °F (49 °C) and 149 °F (65 °C). This temperature range provides the best washing results and shortest cycle time. To prevent damage to dishes, the temperature should not exceed 149 °F (65 °C).
- Water supply pressure must be between 20 psi and 80 psi (140–550 kPa). If the water supply pressure exceeds 80 psi, a pressure reducing valve must be installed. Otherwise premature failure of the inlet valve may occur.

CHECKING THE CABINET PANEL

- This dishwasher is designed to work with a cabinet front panel (not provided) which slides up as the door is opened. Before installing the dishwasher, check the weight and dimensions of the cabinet front panel you have selected.
- The dishwasher can support panels weighing 5.5 – 24.2 lb (2.5 – 11 kg).
- If the cabinet panel weighs between 17.6 lb (8 kg) and 24.2 lb (11 kg), adjust the door spring tension to make the door easier to open. See the Adjusting Door Spring Tension topic in the Owners Manual.
- For best results, the width of the wood panel should be 1/4" (6 mm) less than the width of the cabinet.



Installing Fleece Tape

- Attaching fleece tape between the dishwasher door and the cabinet panel will reduce the friction when the door slides up and down.
- Install the fleece tape close to the bracket openings to make sure the door slides smoothly.
- Peel the fleece tape strips off the carrier and attach them to the door.

Notes: This dishwasher is designed to be installed flush with a field-installed, 3/4" (20 mm) custom door panel. The dishwasher depth is European-style, designed to sit completely flush in 24" deep cabinets, within a standard dishwasher opening. An opening may be needed on both sides to route plumbing and electrical connections. See marked areas above for water and electrical clearances in base of dishwasher. To ensure proper drainage, install the dishwasher no more than 12 ft. (3.65 m) from the sink. Electrical connection should be in an accessible location adjacent to and not behind the dishwasher and within 4 ft. (1.2 m) of the dishwasher's side.