

Table of Contents

| | |
|---------------------------------------|----------|
| 1 Installation | 6 |
| 1.1 General installation instructions | 6 |
| 1.2 Electrical requirements | 7 |
| 1.3 Electrical connection | 8 |
| 1.4 Cutting out the countertop | 10 |
| 1.5 Recess | 12 |

IMPORTANT INSTRUCTIONS

WARNING: If the instructions contained in this manual are not followed precisely, fire or explosion may result causing property damage, personal injury or death.



NOTE: This appliance must be installed solely and exclusively by a qualified technician. Any technical procedures must be carried out by an authorized technician.



READ AND SAVE THESE INSTRUCTIONS - Your safety and the safety of others are very important. We have provided many important safety messages throughout this manual and on the appliance. Read all the instructions before using the appliance and always obey all safety messages.



RECOGNIZE SAFETY INFORMATION

This is a safety alert symbol. This symbol alerts you to potential hazards that can result in severe personal injury or death.

UNDERSTAND SIGNAL WORDS

A signal word - DANGER, WARNING or CAUTION - is used with the safety alert symbol. DANGER denotes the most serious hazards. It means you could be killed or seriously injured if you do not immediately follow the instructions. WARNING means you could be killed or seriously injured if the instructions are not followed. CAUTION indicates a potentially hazardous situation which, if not avoided, could result in minor to moderate injury.



Important Safety Instructions

WARNING



- This appliance is intended for home use only.
- Use this appliance only for its intended purpose. The manufacturer cannot be held liable for damage caused by improper use of this appliance.
- This appliance complies with current safety regulations. Improper use of this appliance can result in personal injury and material damage.
- Read all the instructions before installing or using the appliance for the first time.
- Keep these operating instructions in a safe place and pass them on to any future user.

The safety messages will inform you of potential hazards, how to avoid the risk of injury and what can occur if the instructions are not followed.

IMPORTANT: Installation and grounding must conform to applicable codes. Observe all codes and ordinances in force.

WARNING: For your safety, the instructions contained in this manual must be followed to minimize the risk of fire or explosion and to prevent property damage, personal injury or death.



NOTE: this appliance is NOT designed to be installed in motorhomes, mobile homes, RVs or boats.

DO NOT install this appliance outdoors.

WARNING



To reduce the risk of fire, electrical shock, personal injury or damage when using the appliance, follow basic safety precautions, including the following:

- Read all instructions
- Proper installation is your responsibility. Have a qualified technician install and ground this appliance in accordance with these installation instructions.
- It is the responsibility of the installer to comply with installation information specified on the model/serial ID plate. The ID plates are visibly located under the appliance. These ID plates must never be removed.

Important Safety Instructions



EN

- **ELECTRICAL GROUNDING REQUIRED:** See the “Electrical Requirements” section. It is the customer’s responsibility to:
- Contact a qualified electrician to install the appliance
- Ensure that the electrical system is adequate and conforms with the national ANSI / NFPA 70 ELECTRICAL CODE – latest edition – Or the CANADIAN ELECTRICAL CODE, C22.11 – 1 and C22.2 No. 01982 – or latest edition – and all local codes and ordinances. **IMPORTANT:** Observe all governing codes and ordinances.
- Never modify or alter the construction of the appliance. For example, do not remove adjustable legs, panels, wiring or anti-tip brackets/screws.



CAUTION: This unit is designed as a cooking appliance. For safety purposes, never use it for warming a room or as a space heater.

- Do not obstruct appliance vents or openings for heat exhaust.
- Test the appliance immediately after installation, following the instructions in this booklet. If the appliance does not work properly, disconnect it from the electrical power supply and call the Customer Service Center. **DO NOT** attempt to repair the appliance.

- All adjustments and servicing must be performed by qualified installers or service technicians.
- Do not leave the packing material around the home. Sort the various items of waste and take them to the nearest specialized waste collection facility.
- Do not store or use gasoline or other flammable vapors, liquids or materials near this or any other appliance.

How to read the user manual

This user manual uses the following reading conventions:

Installation



Information for the qualified technician: installation, operation and inspection.



Safety instructions



Information



Advice

1. Order of use instructions.
- Stand-alone instruction.

SAVE THESE INSTRUCTIONS



Installation

1 Installation

1.1 General installation instructions

- **Proper installation is your responsibility.** Have a qualified technician install this appliance. Make sure you have everything necessary for correct installation. It is the responsibility of the installer to comply with installation guidelines specified on the model/serial ID plate. The model/serial ID can be found under the appliance.
- **Have your appliance installed and properly grounded by a qualified installer, in accordance with these installation instructions.** Grounding is mandatory according to the provisions of the electrical system safety regulations. If this appliance is connected to an outside electrical power source, it must be grounded in compliance with local laws, or, if no local laws exist, in compliance with the national ANSI/NFPA 70 code of electrical regulations.
- Make sure that the voltage and dimensions of the supply line correspond to the information indicated on the model/serial rating plate. A multi-pole circuit breaker must be available on the supply line with contact gap equal to or greater than 3mm, located in an easily accessible position near the appliance.

- Do not attempt to repair or replace any part of the appliance unless specifically recommended in this manual. All other service procedures should be performed by a qualified technician.
- This appliance is not suitable for installation and use in mobile homes or campers.
- **Electrical grounding is required.** See the "Electrical requirements" section. It is the customer's responsibility to:
 1. Contact a qualified electrical installer.
 2. Ensure that the electrical system is adequate and in compliance with the national ANSI/NFPA 70 ELECTRICAL CODE - latest edition - or the CANADIAN ELECTRICAL CODE, C22.11 - 1982 and C22.2 No. 01982 - or latest edition - and all local codes and ordinances.

IMPORTANT: Observe all codes and ordinances in force.



In case of multiple installations, cooktops can not be installed adjacent to each other.



1.2 Electrical requirements



Warning

Electrical shock hazard

- Have the electrical connection performed by authorized technical personnel.
- The frame is grounded by connecting the grounding lead to the neutral lead. If local codes do not permit grounding through the neutral lead, open the connection and use the grounding lead to ground the unit in accordance with local codes. Connect the neutral lead to the branch-circuit neutral conductor in the usual manner.
- Do not use an adapter.
- Do not use an extension cord.
- Check with a qualified electrician if you are not sure whether the appliance is grounded.
- Turn the power supply off before connecting the wires.
- Ground the appliance electrically.
- Failure to follow these instructions can result in death, fire, or electrical shock.
- Improperly connecting the appliance's grounding conductor can result in electrical shock. Check with a qualified electrician or service technician if you are in doubt as to whether the appliance is properly grounded. Do not modify the power supply cord. If it does not fit in the outlet, have a proper outlet installed by a qualified electrician.
- Disconnect the main power supply.



FAILURE TO FOLLOW THESE INSTRUCTIONS COULD RESULT IN DEATH, FIRE OR ELECTRICAL SHOCK.

Make sure that the power line rating matches the specifications indicated on the ID plate. The ID plates are visibly located under the appliance.

These ID plates must never be removed.

- If codes permit and a separate ground wire is used, it is recommended that a qualified electrician check the suitability of the ground path.
- Wire size and connections must conform to the requirements of the National Electrical Code, ANSI/NFPA 70 ELECTRICAL CODE (*) – latest edition or CSA Standard C22.1-94, Canadian Electrical code, Part 1 (**) and CSA C22.2 No. 0-91 or latest edition and all local codes and ordinances for the kilowatt rating of the appliance. **IMPORTANT:** Observe all governing codes and ordinances.
- Copies of the standards listed above may be obtained from:
- (*) National Fire Protection Association, One Batterymarch Park, Quincy, Massachusetts 02169-7471
- (**) CSA International 8501 East Pleasant Valley Road Cleveland, Ohio 44131-5575.



Installation

1.3 Electrical connection



Warning

Electrical shock hazard

- Disconnect power to the junction box before connecting.
- Electrically ground the appliance using the green or green-yellow wire.



FAILURE TO FOLLOW THESE INSTRUCTIONS COULD RESULT IN DEATH, FIRE OR ELECTRICAL SHOCK.

This appliance is manufactured with a green or green-yellow ground wire connected to the appliance chassis.

To prepare the connection between the appliance and the junction box:

- Disconnect the power supply to the junction box.
- Feed the flexible cable conduit from the appliance through the opening of the cabinet.
- Remove the junction box cover, if present.
- Install a UL-listed or CSA-approved conduit connector to the junction box.
- Route the flexible cable conduit from the appliance to the junction box through a UL-listed or CSA-approved conduit connector.
- Tighten the screws on the conduit connector.

IMPORTANT: Any local codes or ordinances should be given priority over these instructions.

The frame is grounded by connecting the grounding wire to the neutral wire. If the new branch circuit installation (1996 NEC) is used or if local codes do not permit grounding through the neutral wire, open the connection and use the grounding wire to ground the unit in compliance with local codes. Connect the neutral wire to the branch circuit's neutral conductor in the usual manner:

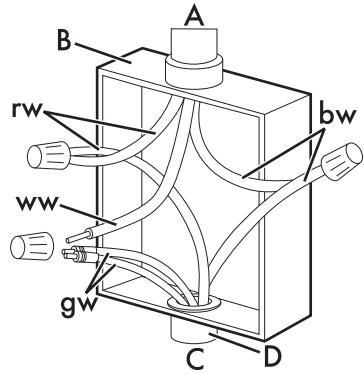
- Disconnect the ground from the neutral at the free end of the conduit.
- Use the grounding terminal or lead to ground the unit.
- Connect the neutral terminal or wire to the branch circuit neutral in the usual manner.



U.S. Installation only / 3-wire branch circuit

See diagram. Where local codes allow the connection of the ground wire from the appliance to the power supply cable's neutral wire (white wire):

- The ground wire must be connected first;
- If local codes permit, connect the green or yellow-green ground wire from the appliance and the white wire from the appliance to the power supply's neutral wire (white wire).
- Connect the red and black leads from the appliance to the matching color wires in the junction box using UL/CSA-listed wire connectors.
- Connect to copper wire, or, if the connection is made to aluminum house wiring, use UL-listed or CSA-approved connectors approved for joining aluminum and copper wiring.



NOTE: Both leads coming out of the appliance must be connected according to the diagrams shown in the figures.

| | |
|----------|---------------------------------|
| A | cable from power supply |
| B | junction box |
| C | cable from appliance |
| D | UL/CSA-listed conduit connector |

| | |
|-----------|-----------------------------------|
| bw | black wires |
| gw | white-green or yellow-green wires |
| rw | red wires |
| ww | white wires |

Fixed connection

Fit the power line with a multi-pole circuit breaker in compliance with installation regulations.

The circuit breaker should be located near the appliance and in an easily reachable position.



Installation

1.4 Cutting out the countertop

i The following operation requires building and/or carpentry work which must be carried out by a competent technician.

The appliance may be installed on various materials such as masonry, metal, solid wood and wood faced with plastic laminates, provided they are heat resistant (>90°C - 194°F).

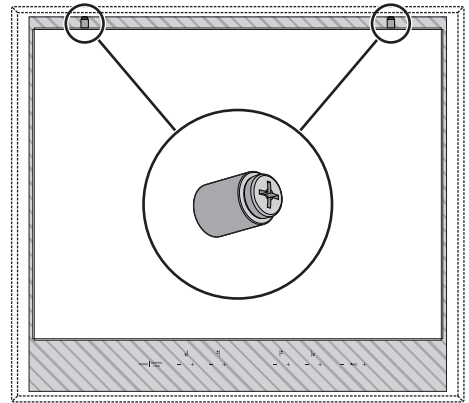
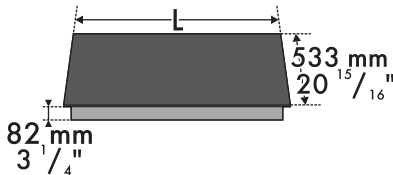


Warning
Electrical shock hazard

- To eliminate the risk of burns or fire by reaching over heated surface units, cabinet storage space located above the surface units should be avoided. If cabinet storage is to be provided, the risk can be reduced by installing a range hood that projects horizontally a minimum of 5 inches beyond the bottom of the cabinets.

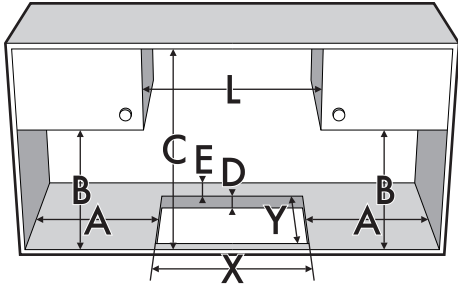
| L | X | Y |
|-----------|-----------|---------|
| 11 13/16" | 10 3/8" | 19 7/8" |
| 300 mm | 272 mm | 505 mm |
| 24" | 22 3/16" | 19 7/8" |
| 610 mm | 563 mm | 505 mm |
| 30" | 28 5/16" | 19 7/8" |
| 762 mm | 720 mm | 505 mm |
| 36" | 33 11/16" | 19 7/8" |
| 914 mm | 855 mm | 505 mm |

Cut an opening in the countertop of the indicated dimensions.



For proper installation, refer to the rear mechanical spacers.

The rear mechanical spacers should never be removed. The possible removal is considered a tampering with the device.

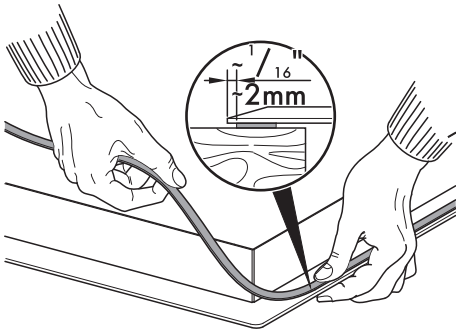


MINIMUM DISTANCE

| A | B | C | D | E |
|----------|--------|--------|--------|-------|
| 5 11/16" | 18" | 30" | 1 7/8" | 2" |
| 145 mm | 457 mm | 762 mm | 48 mm | 50 mm |

Seal the cooktop

Before assembly, to prevent leakage of liquid between the frame of the cooktop and the countertop, place the provided adhesive seal along the entire perimeter of the cooktop.

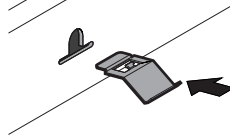


Do not attach the cooktop with silicone. It will prevent you from removing the cooktop when necessary without damage to it.

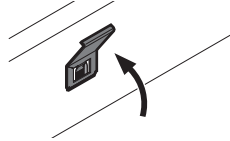
Fastening clips

To ensure the attachment and optimal centering, you should use the supplied clips:

1. Insert the clips and fix them in place horizontally into the groove with light pressure.

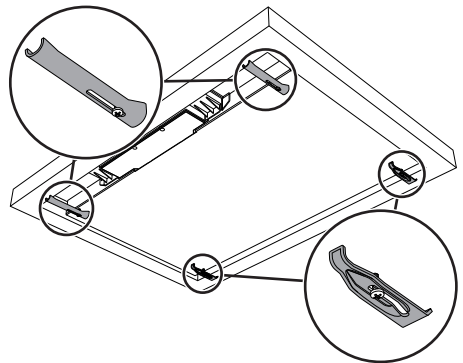


2. Rotate them upwards to fix them in place permanently.



Fixing brackets

- Screw the fixing brackets into the holes on the lower sides of the casing to properly secure the cooktop to the structure.



Fixing the cooktop too tightly may strain the glass and cause it to break.



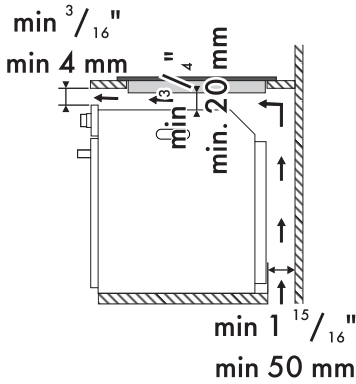
Installation

1.5 Recess

Over an undercounter, built-in oven

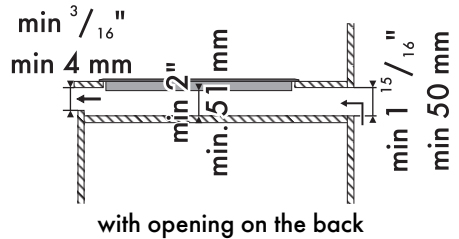
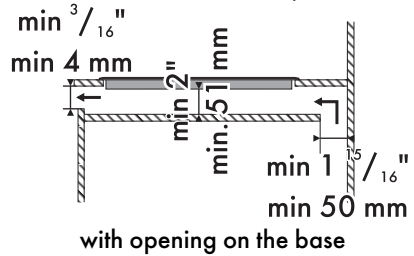
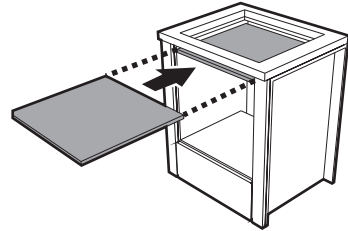
The distance between the cooktop and the kitchen cupboards or built-in appliances must ensure adequate ventilation and sufficient air exhaust.

If installed above an oven, space must be left between the bottom of the cooktop and the part of the product installed underneath.



On a hollow compartment or drawer

If there are other furniture parts (side panels, drawers, etc.), dishwashers or refrigerators, under the cooktop, a double-layer, wooden base must be installed at a minimum distance of **51 mm (2")** from the underside of the cooktop to prevent accidental contact. The double-layer base must be removed using only the appropriate tools.



If Installed Above An Oven, THE OVEN MUST BE EQUIPPED WITH A COOLING FAN.



In case of doubt install a double-layer, wooden as described in the next section



Failure to install the double-layer, wooden base exposes the user to possible accidental contact with sharp or hot surfaces.