

SLER30524SS

30" Slide-In Electric Range



GENERAL PROPERTIES

Type	Slide-In
Size	30"
Finish	Stainless Steel
Ergonomic Tilted Control and Display Panel	Yes
Oven Control Type	Electronic Controls with Multi-Color LED Display
Cooktop Control Type	Knob Control
Control Key Lock	Yes
Drawer Type	Warming (150-200°F)
Exterior Side Walls	Black
Fuel Type	Electric



DESIGN
AWARD
2023



reddot winner 2023

PREMIUM TECHNOLOGY



ERGONOMIC TILTED CONTROL AND DISPLAY PANEL

Ergonomic and Stylish: Elevate Your Cooking Experience with an Inclined Control Panel Range. New Beko Slide-in Ranges come with an inclined control panel which offers a user-friendly and ergonomic design that makes it easy to view and adjust cooking settings.



AIRFRY: A HEALTHIER ALTERNATIVE TO FRYING

AirFry delivers crispy food without the use of cooking oil, resulting in a healthy way to enjoy the taste of fried foods without the frying. AirFry also requires no pre-heat time. Faster and healthier cooking made easy!



REMOVABLE TELESCOPIC ROLLER RACK

Safely and smoothly move your dishes from the oven to the table with this smooth-gliding lower telescopic roller rack. Telescopic rail allows for safe and easy movement of heavy dishes without the risk of spills or drops. The smooth-gliding rack can be placed in different levels, providing flexibility and convenience in accessing your dishes.

SLER30524SS



30" Slide-In Electric Range

OVEN FEATURES & FUNCTIONS

Capacity	5.2 cu. ft. (Main Oven) + 1.4 cu. ft. (Warming Drawer)
Convection Type	True European Convection
Functions	13
Cooking Functions	Bake, Broil, Roast, Convection Bake, Convection Roast, Convection Broil, Prime Turkey, Bread Proof, Air Fry , Pizza
Pyrolytic Self-Cleaning	Yes**
Sabbath Mode	Yes
Door Cooling System	4 Pane Heat-Resistant Glass (Inner Glass Removable)
Interior Illumination	2 x Halogen Lights
Height-Adjustable Telescopic Roller-Rack	1
Oven Racks	2
Oven Rack Positions	6
12-24 Hour Clock Format	Yes
Preheat Indicator (Audible Signal)	Yes

COOKTOP – FEATURES & PERFORMANCE

Zone Configuration	4 Vitroceramic + 1 Warming Zone
Front Left	Dual 5" / 8" - 750 W / 2,200 W
Rear Left	8" - 2,200 W
Center	6" - 100 W Warming
Front Right	Dual 9" / 12" - 1,800 W / 3,000 W
Rear Right	6" - 1,500W
Simmer Function	Yes
Residual Heat Indicators	Yes

TECHNICAL INFORMATION

Volts / Frequency	120-240 V, 60Hz
Min. Amps (A)	40 A
Power Cord	Required, Purchase Separately

DIMENSIONS & WEIGHT

Product (H x W x D) (in)	36 9/16* x 29 15/16 x 29
Depth (Incl. Handle) (in)	29
Depth (w/o Handle) (in)	28 3/4
Interior (H x W x D) (in)	17 3/16 x 24 1/4 x 18 5/16
AirFry Tray (H x W x D) (in)	13 1/16 x 15 7/8 x 13 7/16
Adjustable Leveling Feet	Yes
Required Cutout Size (H x W x D) (in)	36 x 30 x 25
Carton (H x W x D) (in)	40 23/64 x 32 25/32 x 30 3/8
Product Weight (lbs)	220
Shipping Weight (lbs)	275

ACCESSORIES (INCLUDED)

Anti-Tip Bracket	Yes
AirFry Tray	Yes

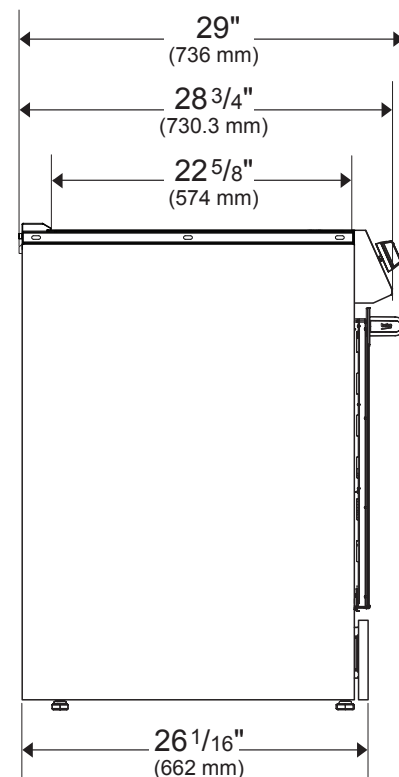
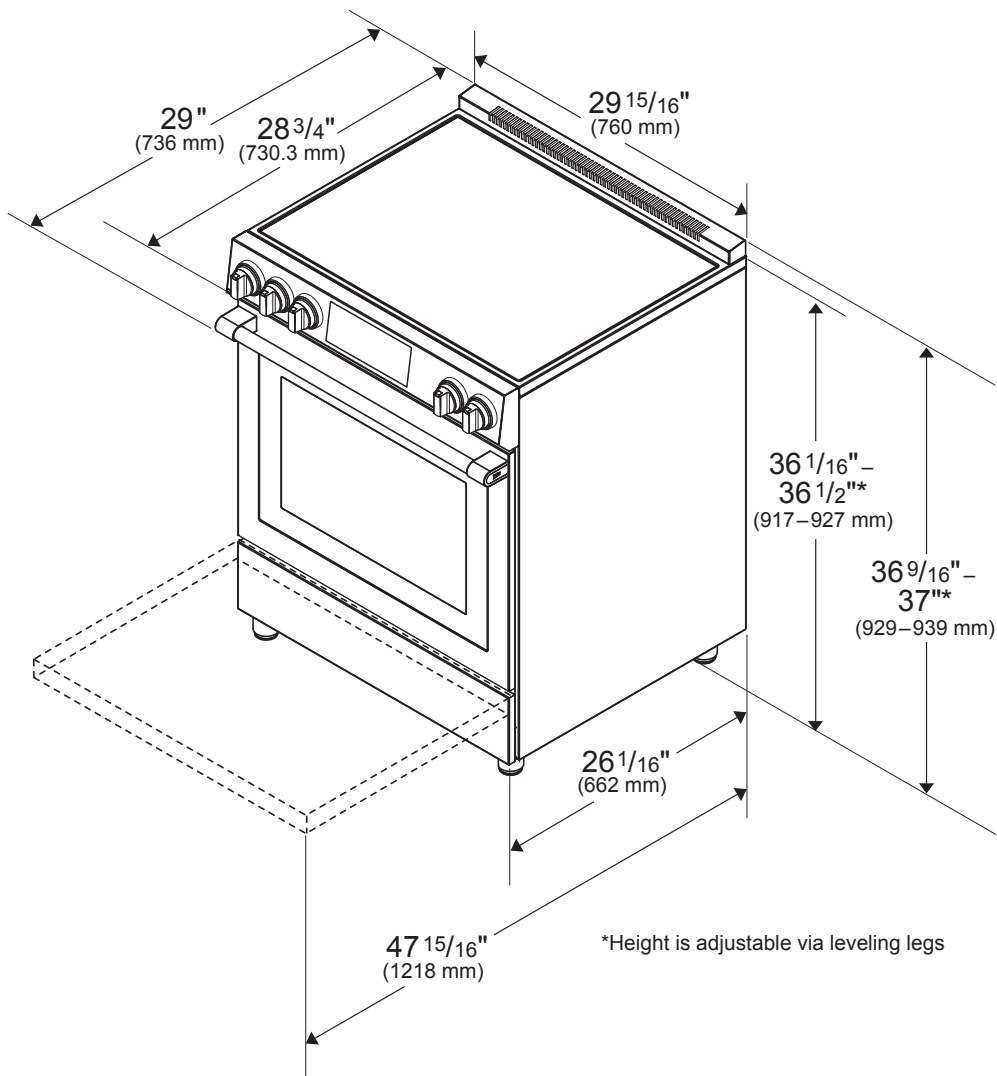
WARRANTY

Parts & Labor	2-Year Full Warranty
---------------	----------------------

*Height is adjustable to 37" via leveling legs **Oven racks need to be removed during the self-cleaning

SLER30524SS

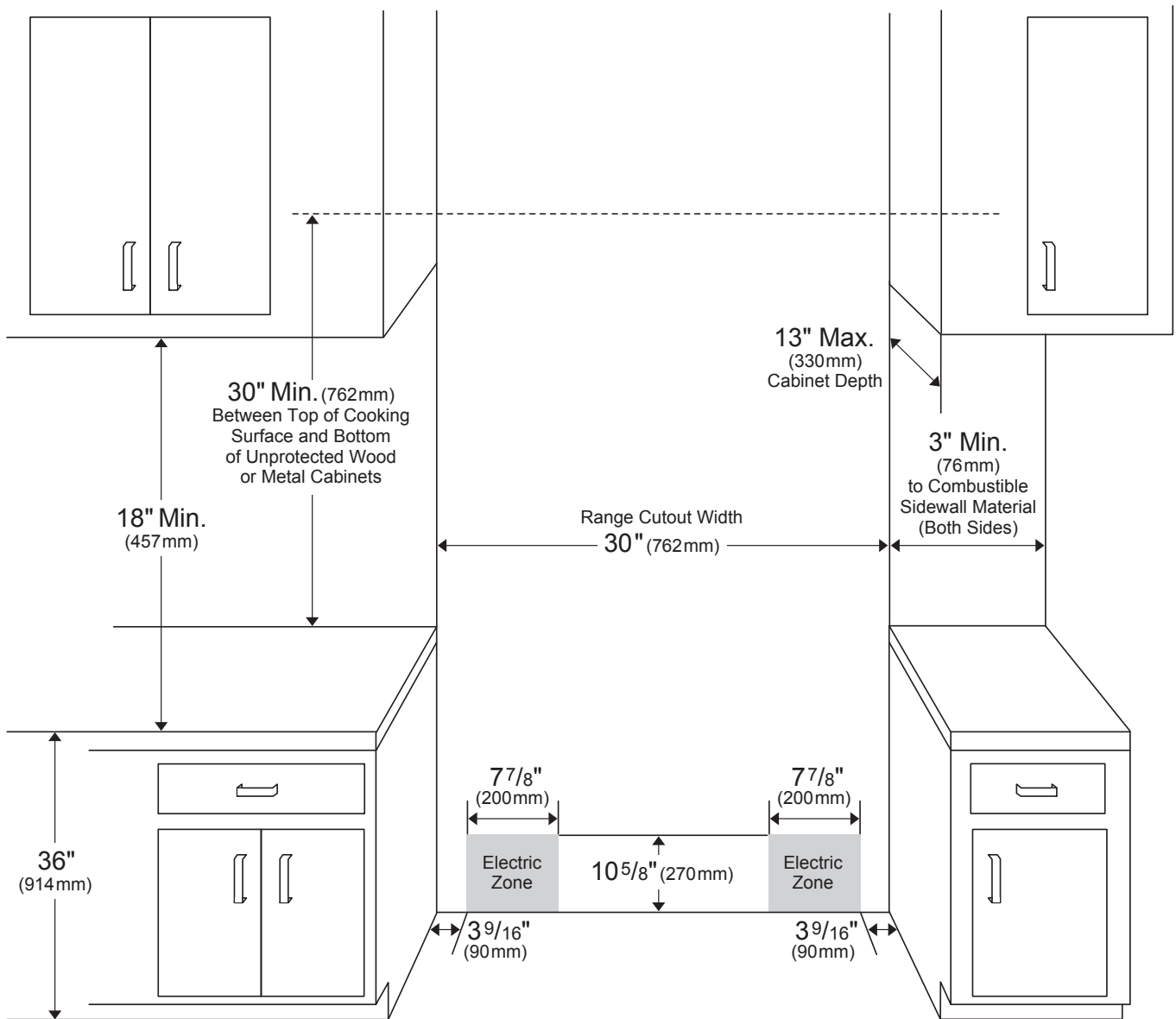
30" Slide-In Electric Range



SLER30524SS



30" Slide-In Electric Range



NOTE TO THE INSTALLER: All height, width, and depth dimensions are shown in inches (as well as metric). Beko U.S., Inc. reserves the absolute and unrestricted right to change product materials and specifications, at any time, without notice. Please visit our website, www.BekoAppliances.com, or call 888.352.2356 to verify the latest specifications with final dimensional data and other details prior to installation and making a cutout. Applicable product limited warranty information may be found in accompanying product materials, or you may contact your account manager for further details. Proper installation is the responsibility of the installer. Product failure due to improper installation is not covered under the Limited Warranty.