

SHARP | Simply Better Living

24" Built-In Smart Convection Microwave Drawer™ Oven

SMD2499FS

1.4
CU.FT.

900
WATTS

works with **amazon alexa**

First-in-its-Class Convection Microwave Drawer™ Oven

Works with Alexa¹, and the Sharp Kitchen App on the App Store[®] and Google Play

Enjoy Hands-Free Cooking with Over 65 Alexa Voice Commands with the Amazon Alexa App or Your Echo Device²

Dual Convection Fans for Turntable-Free Baking, Roasting, Grilling, and Air Frying

"Easy Wave Open" for Quick, Touchless Opening of the Convection Microwave Drawer™ Oven

Built-In Airflow Control for Flush Mounting

120V Standard U.S. Household Outlet



THE FIRST-EVER CONVECTION MICROWAVE DRAWER™ OVEN

The SHARP® Smart Convection Microwave Drawer™ Oven (SMD2499FS) is the most eagerly anticipated kitchen innovation by Sharp. Over 65 convenient and simple voice commands help you make the most of what this smart convection microwave oven has to offer. Have an Echo device? Just ask Alexa, "Alexa, defrost 1 pound of ground meat." How easy is that? Our wide selection of Alexa commands, Sensor Cook, and Auto Defrost menu items take the guesswork out of cooking. Download the Sharp Kitchen app and pair with Alexa to enable the smart features¹.

The dual convection fans and dedicated heating elements in the SMD2499FS provide turntable-free baking, roasting, grilling, and air frying. Bring a meal to the table even faster with three Speed Cook modes that mix convection and microwave heating for delicious results in less time. Dishwasher safe porcelain cooking dish and metal upper and lower racks are included. The two racks can be used in all modes and combined for single or multi-level cooking or warming up for up-to two 9x13 baking dishes.

The SHARP Smart Convection Microwave Drawer™ Oven (SMD2499FS) features "Easy Wave Open" for quick, touchless opening of the drawer. The built-in airflow control allows flush-mounting while safely redirecting the ventilation away from walls or cabinets. With all of this power and flexibility, the SMD2499FS simply plugs into a standard 120V/15 amp household outlet for a fast installation. That is Simply Better Living.



Compatible with Alexa¹ and Easy Wave Open technology lends a helping hand, even if your hands are full.



Optional, 2-drawer Under-the-Counter Pedestal accessory simply slides in for hassle-free installation.



Air Fry mode makes food moist on the inside and crispy golden-brown on the outside.



The included dishwasher-safe racks and cooking tray can be used in all cooking modes and arranged to fit your needs.

SHARP ELECTRONICS CORPORATION
100 Paragon Drive, Montvale NJ, 07645
1.800.237.4277 • www.sharppusa.com

SHARP
Be Original.

SHARP | Simply Better Living

24" Built-In Smart Convection Microwave Drawer™ Oven

SMD2499FS



SPECIFICATIONS

FEATURES

Finish	Stainless Steel, Black Glass
Convection Drawer Opening	Mobile App, "Easy Wave Open" Motion Sensor or Open/Close Button, and Alexa Voice Command ¹
Width	24"
Capacity (cu. ft.)	1.4
Microwave Output Power (watts)	900W
Top Grill Ring Heater Wattage/Fan	1000W
Top 6 Pass Heater (3X 2-Pass Heaters)	1500W (3 x 500W)
Back Ring Heater Wattage/Fan	1500W
Interior Light	Two LED Lights
Interior Type	Stainless Steel
Drawer Tray Side Finish	Black

CONTROL PANEL

Control Panel Location	Center/Top - Hidden Control, Push to Open
Control Panel Type	Glass Touch, Drop-Down 45° Angle
Control Panel Wi-Fi Indicator	Yes, Blue
Control Panel Oven Indicator Status	Yes, LED
Display Type	LCD

BASIC FUNCTIONS

Timer/Settings	Yes
Open/Close	Yes
Start/+30 Sec	Yes
Stop/Clear	Yes
Power Level	11
Clock	Yes
Multi-Stage Cooking	4
Control Lock	Yes
Demo Mode	Yes
Microwave ON Indicator	Yes
End of Cooking Reminder	Yes

CONVECTION FEATURES

Convection Manual Cook	Convection Bake (90°F - 450°F) Convection Roast (375°F - 450°F) Convection Grill (450°F) Warm (90°F / 150°F / 200°F) Toast - 5 Presets
------------------------	--

CONVECTION FEATURES CONT.

Convection Speed Cook	Speed Cook Bake (90°F - 450°F) - Bake + % Microwave Speed Cook Roast (90°F - 450°F) - Roast + % Microwave Speed Cook Grill (450°F) - Grill + % Microwave
Convection More Menus	Breads - Biscuits, Dinner Rolls, Crescent Rolls Desserts - Cookies, Brownies, Layered Cake Fish - Fish Fillet, Breaded Shrimp Hamburgers - Beef Burger, Turkey Burger, Veggie Burger Pizza - Frozen Thin Pizza, Frozen Classic Pizza, Frozen Rising Pizza, Fresh on Pizza Stone Beef - Beef Roast, Flank Steak Pork - Pork Tenderloin, Boneless Pork Chop, Bacon Poultry - Chicken Drumsticks, Boneless Chicken Breast, Whole Chicken, Turkey Breast Air Fry - Chicken Tenders, French Fries, Mozzarella Sticks, Tater Tots

MICROWAVE FEATURES

Popcorn	Sensor - Regular & Mini
Reheat	Sensor
Defrost Settings	Ground Meat, Steaks/Chops, Boneless Poultry, Bone-in Poultry, Roast, Casserole and Soup
Sensor Cook	Baked Potato, Sweet Potato, Fish/Seafood, Brown Rice, White Rice, Quick Fresh Vegetables, Longer Fresh Vegetables, Steamer Bag, Frozen Vegetables, Ground Meat, Frozen Entrée
Microwave More Menus	Melt - Butter, Chocolate Soften - Ice Cream, Cream Cheese Warm - Syrup, Dessert Toppings

QUESTIONS?

1.800.BE.SHARP

SIMPLY BETTER LIVING

At Sharp Home Electronics Company of America, we are committed to Simply Better Living. Our innovative home appliance products are SIMPLE to use, BETTER than the competition, and encourage a HEALTHY LIFESTYLE.

SHARP ELECTRONICS CORPORATION
100 Paragon Drive, Montvale NJ, 07645
1.800.237.4277 • www.sharppusa.com



SHARP®

Be Original.

SHARP | Simply Better Living

24" Built-In Smart Convection Microwave Drawer™ Oven

SMD2499FS



SPECIFICATIONS

ADDITIONAL FEATURES

Works withh Alexa	Yes ¹
Mobile Application	Yes, Available on the App Store® and Google Play
Wi-Fi Connectivity	Yes
Oven Floor	Patterned Glass
Flush Mount	Yes, Vent Incorporated in the Bottom of Drawer Face

INCLUDED ACCESSORY

Ceramic Drip Dish	Yes
Lower Convection Rack	Yes
Upper Convection Rack	Yes

OPTIONAL ACCESSORY

Product Name	Convection Drawer Pedestal
Model	SKCD24U0GS
Color	Stainless Steel or Custom Panel Ready
UPC	074000621459

ADDITIONAL SPECIFICATIONS

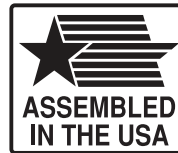
Power Source	120V / 60Hz / 15A
Agency Certification	UL

DIMENSIONS & WEIGHT (in./lbs.) (w x h x d)

Interior Cavity Dimensions	16-30/32" x 8-24/32" x 16-22/32"
Standard Mount Cutout Dimensions	22-3/8" x 19-3/8" x 23-1/2"
Flush Mount Cutout Dimensions	23-7/8" x 19-7/8" x 23-1/2"
Product Dimensions	23-12/32" x 19-20/32" x 22-8/32"
Shipping Dimensions	27-1/2" x 24-1/2" x 27"
Product Weight / Shipping Weight	117.6 lbs. / 129.0 lbs.

WARRANTY/UPC

Parts	1 Year Limited
Labor	1 Year Limited
Magnetron Tube	5 Years (Parts Only)
UPC	074000621220



¹Must register with Amazon Alexa App.

²Amazon Echo device not included.

Amazon, Echo, Alexa, and all related logos are trademarks of Amazon.com, Inc. or its affiliates.

Apple and iPhone are trademarks of Apple Inc., registered in the U.S. and other countries.

Android and Google Play are trademarks of Google LLC.

Assembled in USA from imported and domestic parts.

Internal capacity calculated by measuring maximum width, depth and height. Actual capacity for holding food is less. Product specifications and design are subject to change without notice.

© 2023 Sharp Electronics Corporation. All rights reserved. Sharp, Microwave Drawer and all related trademarks are trademarks or registered trademarks of Sharp Corporation and/or its affiliated companies. All other trademarks are property of their respective owners.

QUESTIONS?

1.800.BE.SHARP

SIMPLY BETTER LIVING

At Sharp Home Electronics Company of America, we are committed to Simply Better Living. Our innovative home appliance products are SIMPLE to use, BETTER than the competition, and encourage a HEALTHY LIFESTYLE.

SHARP ELECTRONICS CORPORATION
100 Paragon Drive, Montvale NJ, 07645
1.800.237.4277 • www.sharpsusa.com



SHARP®

Be Original.

24" Built-In Smart Convection Microwave Drawer™ Oven

1.4
CU.FT.

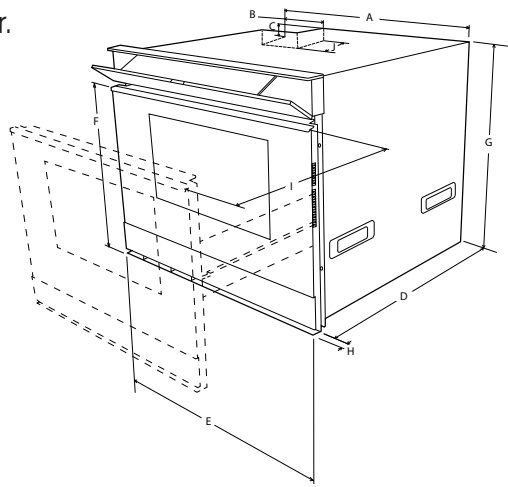
900
WATTS

SMD2499FS

The following are measurements only. Do not use to install convection microwave drawer.

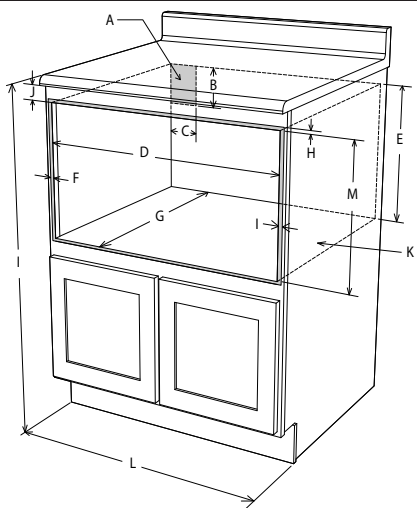
For detailed installation instructions, please refer to the installation manual.

24" CONVECTION MICROWAVE DRAWER PRODUCT DIMENSIONS



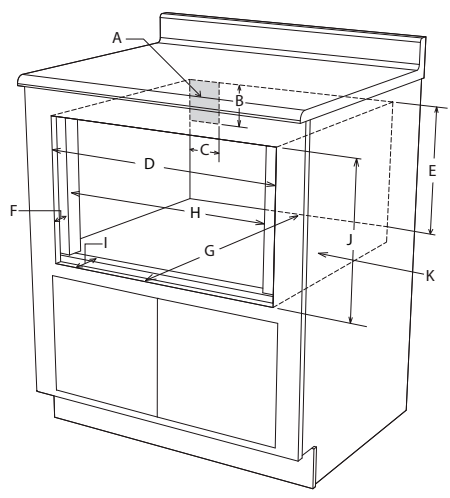
- A. 21-7/8" (555.56 mm)
- B. 4-11/16" (119.06 mm)
- C. 1-3/4" (44.45 mm)
- D. 20-7/8" (555.63 mm)
- E. 23-5/8" (600.07 mm)
- F. 19-5/8" (498.48 mm)
- G. 19-1/4" (488.95 mm)
- H. 1-5/8" (41.27 mm) door thickness
- I. 15-1/2" (393.7 mm) auto drawer opening
- J. 4" (101.6 mm)

24" CONVECTION MICROWAVE DRAWER STANDARD MOUNT MEASUREMENTS



- A. Suggested electrical outlet location*
- B. 5" (127 mm)
- C. 4" (101.60 mm)
- D. 22-3/8" (568.32 mm) opening
- E. 19-3/8" (492.12 mm)
- F. Allow 5/8" (15.87 mm) overlap
- G. 23-1/2" (596.90 mm) minimum depth
- H. Allow 1/8" (3.17 mm) overlap
- I. 36" (914.40 mm) countertop height
- J. Allow 1/2" (12.70 mm) minimum space
- K. Floor must support 125 lbs (56.7 kg)
- L. 24" (609.60 mm) cabinet minimum
- M. 19-1/2" (495.3 mm) opening

24" CONVECTION MICROWAVE DRAWER FLUSH MOUNT MEASUREMENTS



- A. Suggested electrical outlet location
- B. 5" (127 mm)
- C. 4" (101.60 mm)
- D. 23-7/8" (606.43 mm)
- E. 19-3/8" (492.12 mm)
- F. 1-5/8" (41.27 mm)
- G. 23-1/2" (596.90 mm) minimum depth
- H. 22-3/8" (568.32 mm)
- I. 1-5/8" (41.27 mm) to front of shelf
- J. 19-7/8" (504.83mm) opening
- K. Floor must support 125 lbs. (56.7 kg)

QUESTIONS?
1.800.BE.SHARP

SIMPLY BETTER LIVING

At Sharp Home Electronics Company of America, we are committed to Simply Better Living. Our innovative home appliance products are SIMPLE to use, BETTER than the competition, and encourage a HEALTHY LIFESTYLE.