



SPHC30



17.88" x 29.5" x 22.13" (H x W x D)

30" wide single drawer designed to switch primary functions between an all-refrigerator or warming cabinet with a digital thermostat, frost-free operation, and a panel-ready stainless steel front

Highlights:

Convertible design lets you switch functions between a standard refrigerator or warming cabinet

Perfect for proofing bread or warming dishes

Panel-ready drawer allows you to create a truly custom look for your space

Product Features:

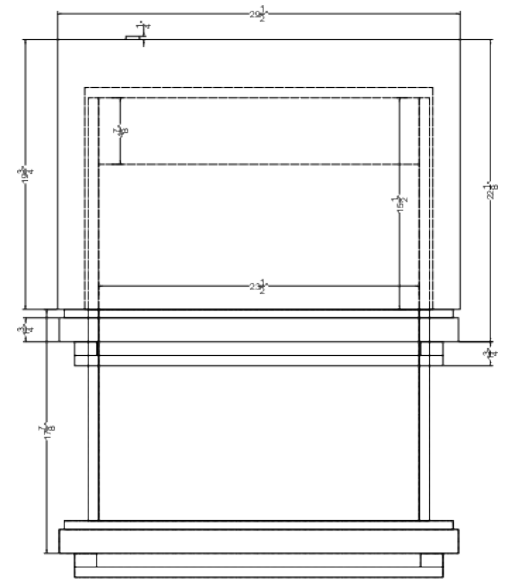
30" Wide Warming And Cooling Drawer	Specially designed to switch functions between a standard refrigerator or warming cabinet
Commercially approved	ETL-S listed to NSF-7 standard and meets UL-471 for use in commercial settings
Built-in capable	Front-breathing design allows you to build the drawer into cabinetry
Weatherproof design	Durable construction allows safe installation in outdoor kitchens
Panel-ready drawer front	Drawer accepts an overlay panel to let you seamlessly blend the unit into an existing cabinetry design
304 grade stainless steel drawer	Drawer front and interior constructed from stainless steel for added durability and easy cleanability
Warming function	Perfect for proofing bread with a temperature range of 80°F/20°C to 200°F/95°C
Cooling function	Perfect for chilling beverages with a temperature range of 36°F/2°C to 43°F/6°C
Frost-free operation	Minimum user maintenance with a fully no-frost operation system



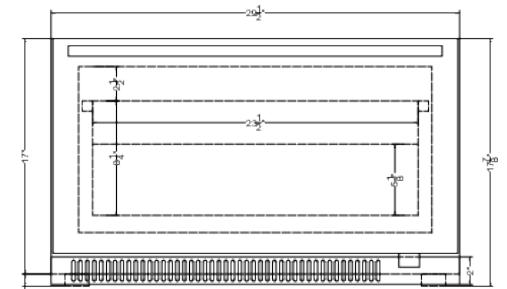
SPHC30 Specifications:

Overview	
Nominal Width	30.0" (76 cm)
Nominal Depth	23.0" (58 cm)
Nominal Height	18.0" (46 cm)
Height of Cabinet	17.88" (45 cm)
Width	29.5" (75 cm)
Depth	22.13" (56 cm)
Depth with Handle	23.88" (61 cm)
Depth with door at 90°	37.88" (96 cm)
Capacity	2.4 cu.ft. (68 L)
Defrost Type	Frost-Free
Door	Stainless Steel/Panel-Ready
Cabinet	Black
US Electrical Safety	ETL
Canadian Electrical Safety	ETL-C
Sanitation	ETL-S
Energy Usage/Year	280.0kWh/year
Amps	15.0
Voltage/Frequency	115 V AC/60 Hz
Weight	95.0 lbs. (43 kg)
Parts & Labor Warranty	1 Year
Compressor Warranty	5 Years
UPC	761101102849
Refrigerator Features	
Sabbath Mode	Yes
Door Swing	Drawer
Reversible	No
Shelf Type	Chrome
Shelf Qty	1
Thermostat Type	Digital
Fan Type	Interior and Exterior
Refrigerant Type	R600a
Refrigerant Amount	1.2oz.
Level Legs Qty	4
Temperature Range	36 to 43°F/80 to 200°F
Dimensions	

Interior Height	10.75" (27 cm)
Interior Width	23.5" (60 cm)
Interior Depth	15.5" (39 cm)
Compressor Step Height	5.13" (13 cm)
Compressor Step Width	23.5" (60 cm)
Compressor Step Depth	4.88" (12 cm)



TOP



FRONT