



SPR3032DPR



33.88" x 29.5" x 23.25" (H x W x D)

30" wide 2-drawer built-in undercounter all-refrigerator designed for indoor or outdoor use with panel-ready fully finished stainless steel drawer fronts, approved for residential and commercial use

Highlights:

Flexible design allows for built-in or freestanding use in 30 inch wide spaces

Panel-ready drawers allow you to customize the look to match existing cabinetry

Less than 24 inches deep for an easier fit in busy kitchens

Product Features:

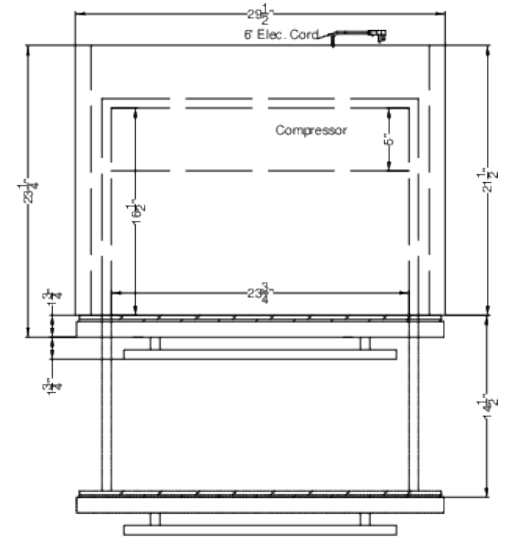
30" wide 2-drawer all-refrigerator	Uniquely sized for built-in installation under counters in residential or commercial kitchen settings
Panel-ready drawer fronts	Drawers can be customized with overlay panels sized (at 29.5" x 13.78" at 3/4" thick) to match or accent existing cabinetry
Less than 24" deep	Shallower depth than many similar units in this size class, allowing an easier fit in tight commercial or residential kitchen spaces
Stainless steel drawers	Interior and exterior drawer fronts feature weatherproof stainless steel construction in a horizontal grain for long-lasting luxury under the counter
Built-in capable	Front-breathing design allows the unit to be built-in under counters
Indoor/Outdoor compatible	Durable, weatherproof construction designed to hold up to the elements
Commercially approved	ETL-S listed to NSF-7 standards allows use in commercial kitchens
Professional handles	Included for optional use, or add your own to better match your cabinetry finishes
Frost-free	No-frost operation for minimal user maintenance



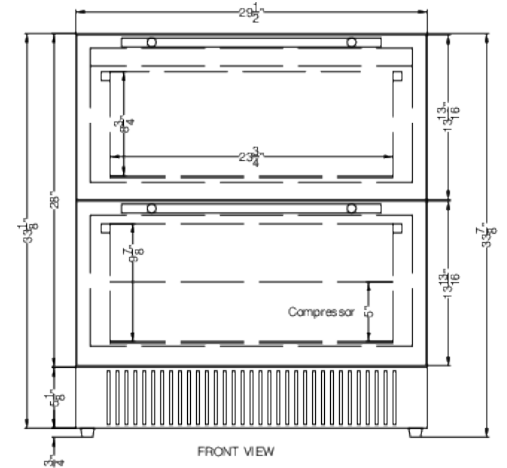
SPR3032DPNR Specifications:

Overview	
Nominal Height	34.0" (86 cm)
Height of Cabinet	33.88" (86 cm)
Nominal Width	30.0" (76 cm)
Width	29.5" (75 cm)
Nominal Depth	24.0" (61 cm)
Depth	23.25" (59 cm)
Depth with Handle	25.25" (64 cm)
Depth with door at 90°	37.75" (96 cm)
Capacity	5.42 cu.ft. (153 L)
Defrost Type	Frost-Free
Door	Stainless Steel/Panel-Ready
Cabinet	Stainless Steel
US Electrical Safety	ETL
Canadian Electrical Safety	ETL-C
Sanitation	ETL-S
Energy Usage/Year	305.0kWh/year
Amps	1.25
Voltage/Frequency	115 V AC/60 Hz
Weight	126.0 lbs. (57 kg)
Parts & Labor Warranty	1 Year
Compressor Warranty	5 Years
UPC	761101090184
Refrigerator Features	
Sabbath Mode	Yes
Door Swing	Drawer
Height Adjustable	Yes
Thermostat Type	Digital
Fan Type	Interior and Exterior
Refrigerant Type	R600a
Refrigerant Amount	1.23oz.
High Side PSI	150.0
Low Side PSI	50.0
Level Legs Qty	4
Interior Light	Yes
Interior Drawers	Yes

Interior Drawers Qty	2
Temperature Range	34 to 65°F
Sound Level	35.6 dB
Drawer Dimensions	
Interior Height 1	9.88" (25 cm)
Interior Width 1	23.75" (60 cm)
Interior Depth 1	16.5" (42 cm)
Interior Height 2	8.75" (22 cm)
Interior Width 2	23.75" (60 cm)
Interior Depth 2	16.5" (42 cm)
Dimensions	
Compressor Step Height	5.0" (13 cm)
Compressor Step Width	23.75" (60 cm)
Compressor Step Depth	5.0" (13 cm)



TOP VIEW



FRONT VIEW