

ADA Height | 15" Clear Ice Machine Square Cube: Gravity Drain and Pump Models

SAPPHIRE

- ADA height compliant, installs under 34" countertop
- Produces up to 75 lbs of $\frac{7}{8}$ " x $\frac{7}{8}$ " x $\frac{7}{8}$ " clear ice cubes per day
- Bin stores up to 25 lbs of clear ice
- Energy Star rated
- Clear ice scoop and storage hook included
- Signature SAPPHIRE blue interior
- Fully wrapped stainless-steel exterior
- Articulating, concealed self-closing hinges with built-in door stop
- Multifunction capacitive touch electronic control
- Auto shut-off when ice bin is full
- Alert notifies when time to initiate easy cleaning process
- Quiet mode feature can be set to suspend ice-making production during specific times of the day
- Full LED theater lighting
- Unit ships right hinged with field-reversible doors
- Stainless model includes a 1" diameter stainless steel handle with faceted standoffs (24" length)
- Panel ready model requires $\frac{3}{4}$ " custom door panel and handle
- Precise zero clearance design allows for unmatched integration into any built-in setting
- 4 Independent adaptable leveling legs
- Black steel grille accepts an integrated toe kick
- Adaptable grille design allows alignment with adjacent cabinetry and toe kick/plinth
- Installation requires a customer-supplied water line and includes a 10 ft factory-installed drain line
- Gravity drain and factory-installed pump models available



Stainless



Panel Ready

Model Details

Model	Pump	Finish	Description	Shipping Weight
SSIM15GDSSADA	No	Stainless Steel	15" Indoor Clear Ice Square Cube, Gravity Drain	108 lbs
SSIM15GDPRADA	No	Panel Ready	15" Indoor Clear Ice Square Cube, Gravity Drain	103 lbs
SSIM15PSSADA	Yes	Stainless Steel	15" Indoor Clear Ice Square Cube, Factory Installed Drain Pump	110 lbs
SSIM15PPRADA	Yes	Panel Ready	15" Indoor Clear Ice Square Cube, Factory Installed Drain Pump	105 lbs

Dimensions/Weight	Detail
Product Depth	23 $\frac{1}{4}$ "
Product Height	32" - 33"
Product Width	14 $\frac{7}{8}$ "
Product Weight	91 lbs
Shipping Dimensions	17 $\frac{3}{4}$ " x 27 $\frac{1}{2}$ " x 36 $\frac{3}{4}$ "
Shipping Weight	110 lbs

Integration/Panel Information*	Detail
Panel Height	28" - 29"
Panel Thickness	$\frac{3}{4}$ "
Panel Width	14 $\frac{5}{8}$ "
Maximum Panel Weight	25 lbs

*Refer to manual for all panel and installation instructions

The Legacy Companies warrants to the original purchaser of its SAPPHIRE products that they will be free from defects in materials and workmanship for the following time periods from the date of purchase shown on the sales receipt:

Two (2) Years Parts & On-Site Labor | Five (5) Years Compressor Warranty (Parts Only)

See complete warranty for details.



SapphireAppliances.com | 1.866.754.6672

The Legacy Companies

3355 Enterprise Avenue, Suite 160, Fort Lauderdale, FL 33331

ADA Height | 15" Clear Ice Machine Square Cube: Gravity Drain and Pump Models

SAPPHIRE

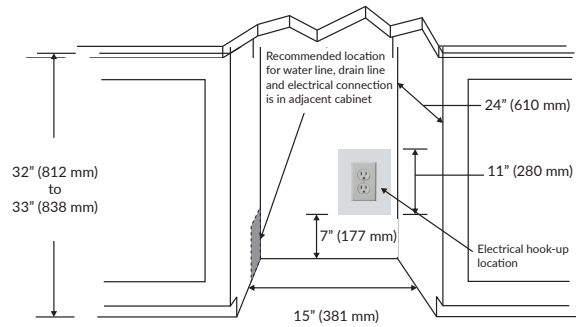
Model	Details
Control Type	Electronic Capacitive Touch with OLED Screen
Indoor or Outdoor	Indoor
Built-in Installation	Inset, Frameless / Overlay and Framed Cabinet Styles
Ice Size	7/8" x 7/8" x 7/8"
Ice Weight (g) per unit	11 g / 0.024 lbs
Ice Quantity per cycle	40 per Slab (1 lb)
Ice Production Capacity	75 lbs
Ice Storage Capacity	25 lbs
Refrigerant Type	R290

Plumbing Water	Details
Water Inlet Adapter	3/4" OD Compression Fitting*
Water Pressure Operating Range (psi)	20 psi – 80 psi
Water Usage	12 1/2 gallons per 100 lbs of ice
Factory Installed Drain Line	10 feet
Drain Required	Yes (See manual for details)

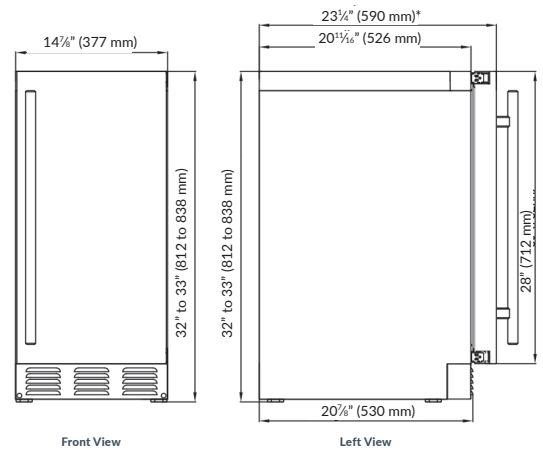
*Water line not included

Electrical	Details
Electrical Requirements	115 V / 60 Hz
Volt Range	104 V ~ 127 V
Electrical Service	15 amp
Running Amps	1.9 amps

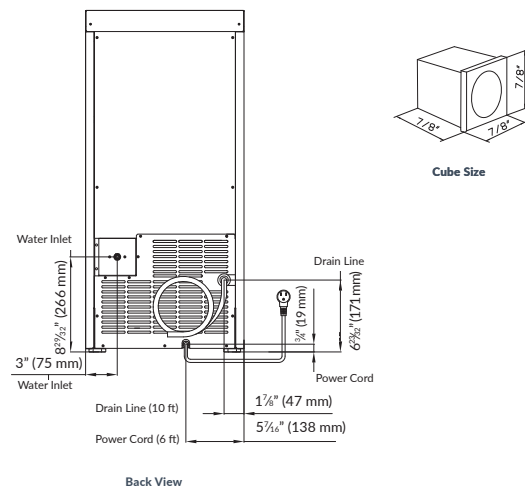
Approvals – Certifications	Details
ADA Height Compliant	Yes
Energy Star	Yes
ETL Sanitation	Yes
UL Commercial	Yes



NOTE: For Gravity drain models, the drain hole cannot exceed 7 inches above the floor. For Pump models, the drain hole should be no lower than 7 inches and no higher than 4 feet above the floor.



*Dimensions are the same for Panel Ready unit when 3/4" panel applied



The Legacy Companies warrants to the original purchaser of its SAPPHIRE products that they will be free from defects in materials and workmanship for the following time periods from the date of purchase shown on the sales receipt:

Two (2) Years Parts & On-Site Labor | Five (5) Years Compressor Warranty (Parts Only)

See complete warranty for details.

SapphireAppliances.com | 1.866.754.6672
The Legacy Companies

3355 Enterprise Avenue, Suite 160, Fort Lauderdale, FL 33331

SAPSS03
0725222

All specifications are subject to change without notice.