
 ISTRUZIONI PER INSTALLAZIONE USO E MANUTENZIONE
 INSTALLATION, USE AND MAINTENANCE INSTRUCTION

SU-DD20





The symbol on the product or on its packaging indicates that this product may not be treated as household waste. Instead it shall be handed over to the applicable collection point for the recycling of electrical and electronic equipment. By ensuring this product is disposed of correctly, you will help prevent potential negative consequences for the environment and human health, which could otherwise be caused by inappropriate waste handling of this product. For more detailed information about recycling of this product, please contact your local city office, your household waste disposal service or the shop where you purchased the product. This appliance is marked according to the European directive 2012/19/EC on waste electrical and electronic equipment (WEEE).

IMAGES

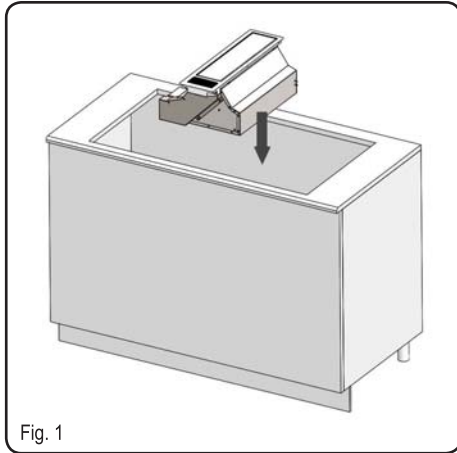


Fig. 1

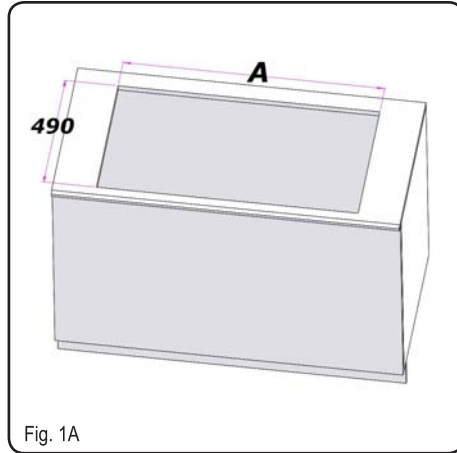


Fig. 1A

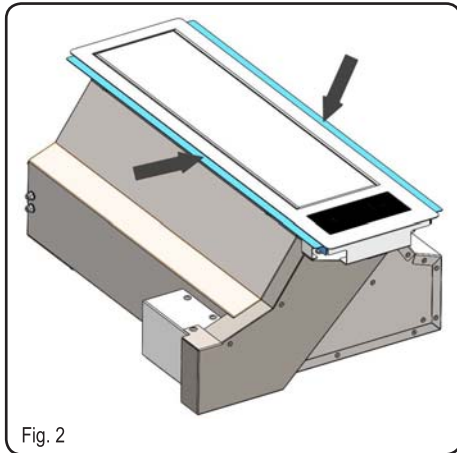


Fig. 2

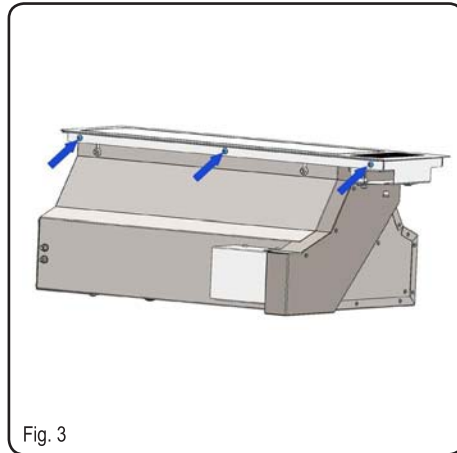


Fig. 3

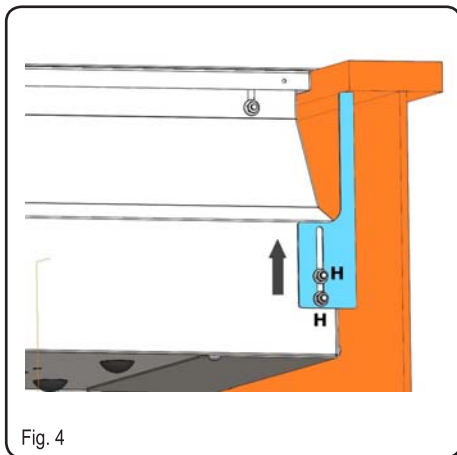


Fig. 4

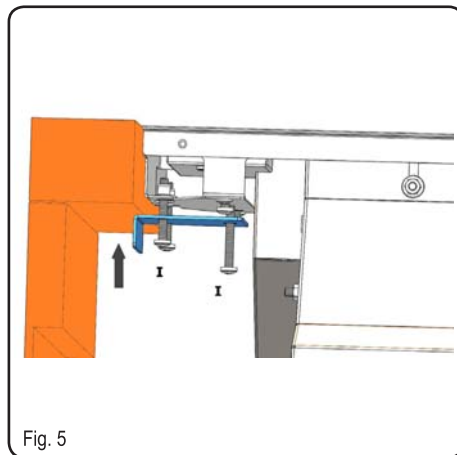
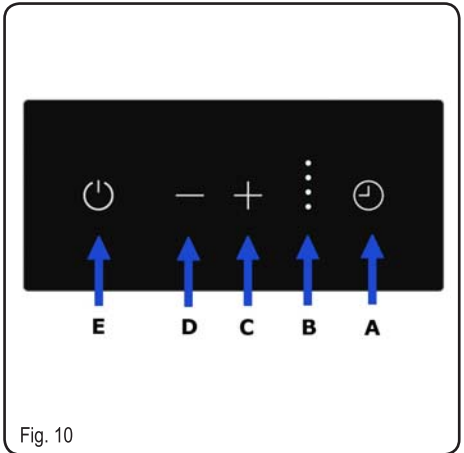
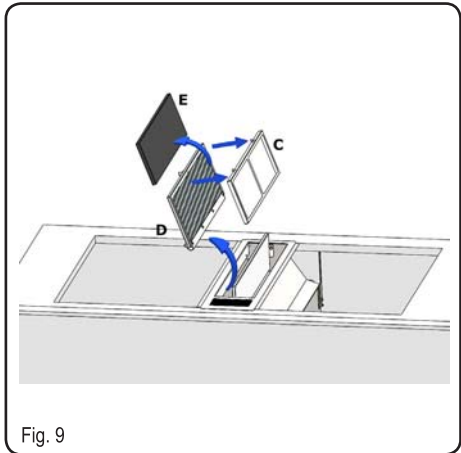
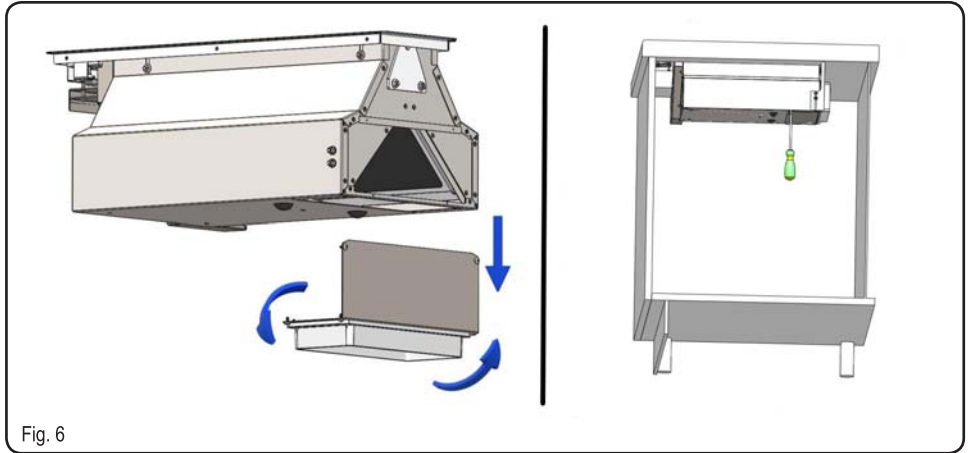


Fig. 5



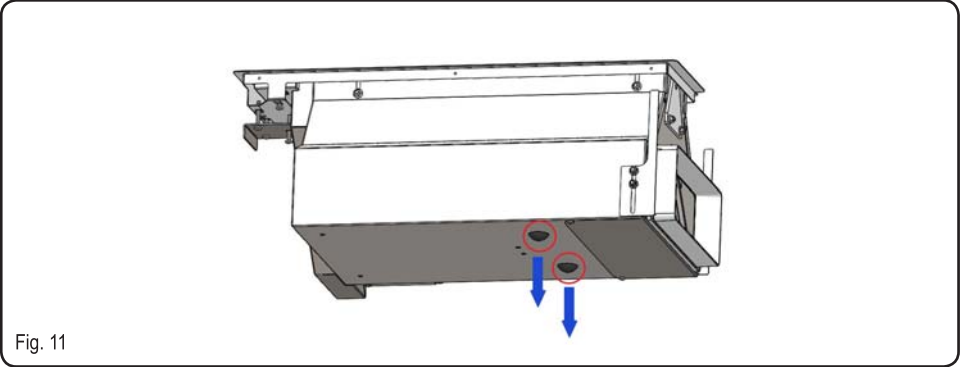


Fig. 11

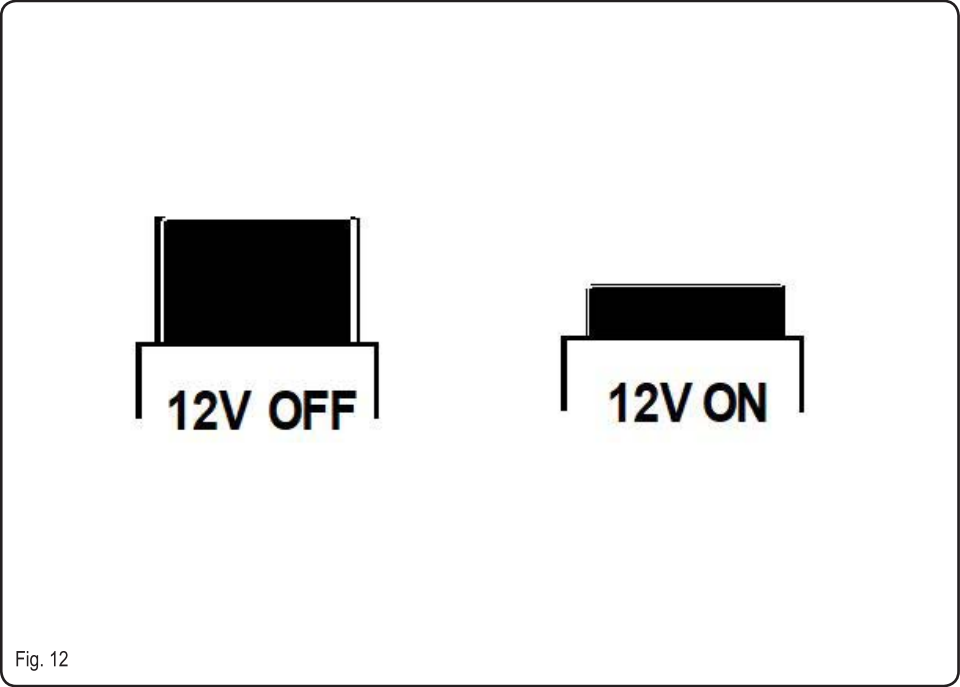


Fig. 12

TO THE ATTENTION OF THE USER

It is designed to work in both suctioning mode, with outside evacuation, and filtering mode.



WARNING



Keep these instructions for use with the appliance. If the appliance should be sold or passed on to others, make sure that the instructions are passed on with it. We thank you for taking note of these suggestions before installing and using the appliance. They have been written for your personal safety and the safety of others.

SAFETY INSTRUCTIONS

These hoods have been designed for personal use in the home. The appliance must be used by adults. Make sure that the appliance is out of reach of children and that they do not use it to play with. Make sure that children do not operate the controls.

- When the appliance is delivered, check the overall appearance of the packaging. Any remarks should be written on the delivery coupon, of which you keep a copy. Your appliance is designed for normal domestic use. It is not designed for commercial or industrial use, or for purposes other than those for which it was designed.

- Any consequences of or damage from incorrect installation or incorrect use of the appliance will not be covered by the manufacturer's guarantee.

- Do not ever change or try to change the characteristics of this appliance. This would be a danger. Repairs must be performed only by an authorised technician.

Always disconnect the hood before carrying out cleaning or maintenance operations.

- Adequately ventilate the room when a cooker hood and other appliances, powered by energy other than electricity, are used simultaneously, so that the hood does not suck any combustion fumes.

- It is not allowed to cook food over open flames (flambé) or operate gas hobs without pots or pans on them under the hood itself (the flames sucked into the hood might damage the appliance).

- Frying under the appliance must be done under constant supervision as hot oils and fats may ignite. Respect the guidelines for cleaning and replacement of grease filters. Accumulated deposits of grease are a fire hazard.

- This appliance must not be used over cook tops powered by wood or coal or in any case, over cook tops with power levels that could damage the appliance.

Never use steam or high-pressure devices for cleaning your hood (regulations regarding electrical safety).

- Never use the cooker hood without the grease filters.

Constantly seeking to improve our products, we reserve the right to modify their technical, functional, or aesthetic characteristics deriving from their upgrading.

In the case of the version with external motor, for normal downdraft operation, it is necessary to use a suctioning unit (external motor) made by the same manufacturer.

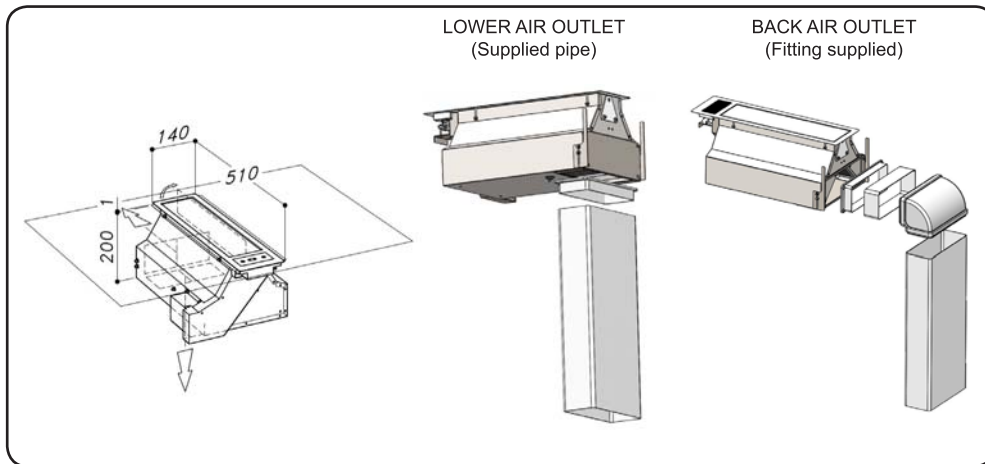
The air collected must not be conveyed into a flue used for smoke or fumes from appliances powered by anything other than electricity (central heating systems, etc.). As far as discharging exhaust air is concerned, please follow the guide-lines given by competent authorities.

CONTENTS

DESCRIPTION OF THE APPLIANCE	10
INSTALLING THE PRODUCT	11
Grease filter removal, mounting the activated charcoal filter	12
Electrical connection of the hood	12
HOW THE COOKER HOOD WORKS	14
CLEANING THE PRODUCT	15
OPERATIONAL ANOMALIES	16
AFTER SALES SERVICE	16

DESCRIPTION OF THE APPLIANCE

MIDDLE SU-DD20



INSTALLING THE PRODUCT

1. Before carrying out the appliance installation, please check that all components are not damaged, in such a case contact your retailer and do not carry out any installation operation.

Furthermore, please read carefully all of the following installation instructions.

- Use an air exhausting pipe whose maximum length does not exceed 5 meters.
- Limit the number of elbows in the piping, since each elbow reduces the air capacity of 1 linear meter. (Ex.: if you use no. 2 x 90° elbows, the length of piping should not exceed 3 meters).
- Avoid abrupt direction changes.,
- Use a 150 mm. constant diameter pipe for the whole length.
- Use piping approved by standards in force.

The manufacturer shall not be deemed responsible for air capacity or noise problems caused by failure to comply with the above instructions and no warranty on the product shall be provided.

2. Before making the hole, check that there are no structural or other parts inside the cabinet, where the appliance is to be placed, which could hinder a proper installation. Check that the dimensions of the product and the ones of the cook top are compatible with the cabinet so that the installation can be carried out properly.
3. Carry out a rectangular hole of the dimensions of 490mm x A, (fig. 1A), the dimension A changes depending on the size of the hob. The product is equipped with two angles to support the hobs (fig. 2), before installing the product check the actual need for these components and if not remove them by removing the screws in fig. 3.
4. Install the product in the hole drilled, inserting it from above (Fig. 1).
5. Secure the product inside the furniture by using the specific brackets provided. Proceed to the installation of the brackets in the sides of the product, in the specific hooks, as shown in fig. 4-5. Mount the rear brackets on both sides of the product, lift them up until they touch the support cabinet and then tighten the nuts "H" (fig.4). Then fix the front bracket bringing it to touch on the cabinet by tightening the screws "I", as shown in figure 5. Be careful to pull the screws "I" gently, by hand and without using electric screwdrivers, otherwise you could damage the product.
6. If the Downdraft is equipped with external motor, place the intake unit (external motor) and settle the exhaust air duct. Then fit the air outlet ducts between the external motor and the product. Select the air outlet among the two available options and fit the union supplied with the appliance. If you intend to use the rear exit air, you will first have to remove the flange from product, install the product in the furniture then restore the flange as shown in fig. 6. For the installation of the external motor, refer to the relative booklet.
7. Place the metal box containing the electronic components in an easily reachable area for possible technical assistance operations, by connecting the related connectors (fig. 7).
8. Connect the product to the external motor with the 6-pole connector as shown in fig. 8.
9. Connect the product to the power supply and check that the red button is in the fully down position (fig.12).
10. After completing the installation and connecting the appliance to the power supply, activate the product as indicated in the "HOW THE COOKER HOOD WORKS" part. With the front panel open, install the grease filters (fig.9 "D") complete with carbon filter (fig.9 "E") through the special grid (fig.9 "C"), in case of filtering version, while in case of suction version, insert only the grease filter (fig.9 "D").

HOW TO USE THE COOKER HOOD

This appliance is intended to suck cooking fumes, greases and steam. It has been designed to work in both suctioning mode, with outside evacuation, and filtering mode.

Outside - discharge version

The cooker hood can be mounted in the version with outside discharge of suctioned air: in this case it is necessary to connect the exhausting channel to the outside (exhausting pipes are not supplied with the products.)

Filtering mode

In case fumes and vapour cannot be evacuated outside, the appliance can be used in the filtering mode.

Activated charcoal filters are required for this type of cooker hood.

Air recycled conveyed outside furniture.



Installation must comply with the regulations in force regarding the ventilation of enclosed environments. The use of discontinued ducts is not allowed without the approval of a qualified technician.

REMOVAL OF GREASE FILTER, MOUNTING THE CARBON FILTER (Fig.9)

The assembly and disassembly of grease filters and carbon filters must be made with the down draft in the open position. For this, actuate the opening of the front as indicated by the operation section.

Remove the grease filter (fig.9 "D"), place the carbon filter (fig.9 "E") inside the special grid (fig.9 "C") and insert the grid on the grease filter using special tabs.

If there is liquid inside the product, it is possible to remove it by removing the caps located under the hood housing (fig.11).



After having replaced the filters, reinstall the front stainless steel panel, otherwise the Downdraft is not enabled to function.

ELECTRICAL CONNECTION OF THE COOKER HOOD

Place the metal box containing the electronic components at a distance of no less than 65 cm from cook tops or in any case, 65 cm from the suctioning surface of the cookerhood.



We recommend installing the metal box containing the electronic components at least 10 cm above floor level and at a suitable distance from all heat sources (e.g. oven sides or cook top).



This appliance is fitted with an H05 VVF 3 conductor, 0.75 mm² (neutral, phase, and ground) power cord.

This can be connected up to a 220 - 240 V mono-phase electrical network through a CEI 60083 approved power socket, which must remain accessible after installation, in compliance with installation regulations.

We decline any responsibility in case of accidents caused by a lack of ground connection or incorrect ground connection. The appliance must be fed through a differential protection device (RCD), with a nominal residual current not exceeding 30mA. If the power cord is damaged, call the after-sales service to avoid any risk.



The downdraft connection to the electrical network must be carried out only by professional and qualified technicians.

The downdraft must be connected to a properly installed and suitable electrical network. The electrical system must comply with VDE0100 standard.



If the cooker hood presents any anomaly, disconnect the appliance or remove the fuse corresponding to the appliance power disconnecting line.

If the appliance has no plug or if the plug is not easily accessible, then a device needs to be fitted to cut it off from the electric network; this device must have an opening distance between contacts on all poles of at least **3 mm**.

ELECTRICAL CONNECTION



This appliance complies with the European Directives 2006/95/EC (Low Voltage Directive) and 2004/108/EC (Electromagnetic Compatibility).

While installing the appliance and carrying maintenance operation, make sure it is disconnected from the electrical network or the fuses are cut out or removed.

Check that:

- Power is enough.
- Feeder lines (mains) are in good conditions.
- The cables diameter complies with installation regulations.

HOW THE COOKER HOOD WORKS

6-Key push button panel (fig.10)

A: 10 minutes timer, after which the suction motor is turned off and the front is closed.

The setting of the function is signaled by indicator flashing speed (B).

B: the suction motor speed indicator.

The 4 LEDs emit a RED light and light up according to the set speed.

First speed : 1 LED ON

Second speed : 2 LEDs ON

Third speed : 3 LEDs ON

Fourth speed : 4 LEDs ON

C: the key is only active with open front (90°). For each selection of the function there is an increase of the suction motor speed, up to the fourth speed.

D: the key is only active with open front (90°). Each time you select the function you have a speed decrease of the suction motor, up to the first speed.

E: with the product off, at the first touch it starts the opening of the front panel until it reaches the opening of 90°, once the opening is reached the second speed of the suction motor is automatically set.

Pressing the button further stops the intake motor and closes the front panel completely.

Other functions:

Automatic turn off:

After 4 hours of continuous operation from the last setup, the appliance turns off automatically.

Grease filters saturation

After 30 hours of operation, the speed indicators "D" will all flash simultaneously, signaling the grease filters saturation. To reset this alarm, hold the "TIMER" button down for at least 3 seconds, while the extractable unit is open.

CLEANING THE PRODUCT


Careful maintenance ensures proper operation and good performances over time.



CAUTION



The hood must be disconnected from the electrical network, both by unplugging the appliance from the socket and activating the magnetic circuit breaker (safety cut-out), before removing the metal grease filters. After cleaning operations, replace the metal grease filters as outlined in the installation instructions.

MAINTENANCE	HOW TO PROCEED?	ACCESSORY PRODUCTS TO USE
External surfaces and accessories	Do not use metallic scrubbers, abrasive products, or hard brushes.	To clean the external surfaces of the cookerhood and the light housing screen use only commercially available household detergents diluted in water. Then rinse with clean water and dry with a soft cloth.
grease filter	After 30 hours of operation, the downdraft will signal the grease filter saturation. Saturation is indicated by flashing RED color LED speed indicator, when the cooker hood is off. To reset, hold down the timer button  for at least 3 seconds, while the hood is OFF.	The grease filters can be washed by hand or in the dishwasher. These filters need to be cleaned on a regular basis, because otherwise they may represent a fire risk. Refit the grease filters and front panel, making sure that the panis properly fitted at the sides so that it does not cause the downdraft to stop operating.
Activated charcoal filter	In the recirculation mode, the active charcoal filter must be replaced periodically. To remove the charcoal filter first of all it is necessary to remove the grease filter and then pull the plastic key of the panel itself, in order to disengage it from its seating. Follow these steps in reverse order to insert the active charcoal filter. Replace the used charcoal filter on an average of every six months.	

OPERATIONAL ANOMALIES

PROBLEM	SOLUTION
The cooker hood does not work...	Check that: <ul style="list-style-type: none"> • There is not a power outage. • A specific speed has actually been selected. • The red reset key, found over the electrical system box, is pushed.
The cooker hood has low performances...	Check that: <ul style="list-style-type: none"> • The motor speed selected is sufficient for the quantity of fumes and vapors present in the room. • The kitchen is ventilated well enough to allow air for intake. • The charcoal filter is not worn out. (filtering version cooker hood). • The air outlet channel is free and compliant with paragraph no. 2. • The non-return valves of the suctioning unit are free to rotate.
The cooker hood stops in the middle of operation.	Check that: <ul style="list-style-type: none"> • There is not a power outage. • The omnipolar device has not tripped.

AFTER SALES SERVICE

Any maintenance operation on your appliance should be carried out by:

- Either your retailer;
- Or another qualified professional technician, authorized for that brand.

Sirius

Three Year Limited Warranty

YOU MUST REGISTER THE PURCHASE OF YOUR PRODUCT ON LINE AT
www.siriuscappe.com/usa/warranty.htm TO CONVALIDATE YOUR WARRANTY.

YOU CAN FIND THE DATA OF YOUR HOODS ON A LABEL INSIDE THE HOOD. JUST REMOVE THE GREASE FILTER TO READ IT.

WARRANTY SERVICE

To qualify for warranty service, you must notify Sirius After sale service at the email address stated below or call toll free USA 1-877-474-8770 and provide the model number, description of the fault or defect and original date of purchase. Sirius reserves the right to request proof of original purchase. Sirius will at its sole option and discretion replace products that arrive damaged through shipping, provided shipping damage is reported as stated above WITHIN 5 BUSINESS DAYS OF RECEIPT of the shipped product or products.

ONE YEAR SERVICE REPAIR WARRANTY:

During the first year from date of original purchase, Sirius will, at its option, repair or replace, without charge, any product or part which is found to be defective under normal use and service.

THREE YEAR PARTS WARRANTY:

For three years from date of purchase, Sirius will provide free of charge, non-consumable replacement parts which are found to be defective under normal use and service.

WHO IS COVERED:

Sirius warrants to the original consumer purchaser of its products that such products will be free from defects in materials and workmanship for a period of three years from the original date of purchase. There are no other warranties, express or implied, including, but not limited to, implied warranties of merchantability or fitness for a particular purpose or application.

WHAT IS NOT COVERED:

This warranty does not extend to filters, lamps, batteries, ducts and ductwork components. This warranty does not cover normal maintenance and service or products or parts which have been subject to misuse, negligence, accident, improper maintenance or repair, faulty installation or installation contrary to recommended installation instructions. The warranty on glass screens is limited to manufacturing defects only and expressly excludes cracks and breakages as a result of faulty installation. *Labor and associated costs associated directly with removal and re-installation are expressly excluded.*

The duration of any implied warranty is limited to the three year period as specified for the express warranty. Some states and provinces do not allow limitation on how long an implied warranty lasts, so the above limitation may not apply to you.

Sirius S.P.A.
Zona industriale Berbentina 6/A
60041 SASSOFERRATO (AN)
ITALY

Sirius after sale service
Telephone (toll free): 1-877-474-8770
Email: Sirius@adcoservice.com

Register Online! www.siriuscappe.com/usa/warranty.htm



90009100200 - 03/20