

- Preserves up to 51 (750 ml) wine bottles
- Energy Star rated
- Low e, argon gas-filled triple-paned tempered glass door with uv coating
- Signature SAPPHIRE blue interior
- Full wrapped stainless-steel exterior
- Articulating, concealed self-closing hinges with built-in door stop
- Multifunction capacitive touch electronic control
- Temperature settings range from 34 °F to 65 °F; allows for ideal preservation of any collection
- Fan-assisted cooling system allows for even temperatures, quicker cooldown times, and added efficiency
- Full-length flush LED theater lighting can be set to display your collection for 4 or 6 hours or schedule nightlight feature
- Adaptable racking system includes 7 stainless front, full-extension racks with 6 gray wine rack inserts and 1 bottom half wine rack insert. Optional shelf inserts include tempered glass shelf inserts and/or chrome-plated wire shelf inserts making it easy to adapt to food and beverage storage needs
- Unit ships right hinged with field-reversible doors
- Stainless model includes a 1" diameter stainless steel handle with faceted standoffs (26" length)
- Panel ready model requires ¾" custom door panel and handle
- Precise zero clearance design allows for unmatched integration into any built-in setting
- 4 Independent adaptable leveling legs
- Adaptable grille accepts an integrated toe kick and allows front/back and up/down alignment with adjacent cabinetry and toe kick/plinth
- Automatic defrost
- Lock standard on stainless model



Stainless with Lock



Panel Ready

Model Details

| Model | Lock | Finish | Description | Shipping Weight |
|----------|------|-----------------------|---|-----------------|
| SW24SZSS | Yes | Stainless Steel Frame | 24" Single Zone Wine Refrigerator, Factory Installed Lock | 195 lbs |
| SW24SZPR | No | Panel Ready Frame | 24" Single Zone Wine Refrigerator | 188 lbs |

Refer to page 53 for accessories

| Dimensions/Weight | Detail |
|---------------------|------------------------------------|
| Product Depth | 23 ¼" |
| Product Height | 34" - 35" |
| Product Width | 23 ¾" |
| Product Weight | 165 lbs |
| Shipping Dimensions | 26 ¾" x 27 ½" x 36 ¾" |
| Shipping Weight | 195 lbs |
| Bottle Capacity | Up to 51 (750 ml) standard bottles |

| Integration/Panel Information* | Detail |
|--------------------------------|-----------|
| Panel Height | 30" - 31" |
| Panel Thickness | ¾" |
| Panel Width | 23 ¾" |
| Maximum Panel Weight | 25 lbs |

*Refer to manual for all panel and installation instructions



The Legacy Companies warrants to the original purchaser of its SAPPHIRE products that they will be free from defects in materials and workmanship for the following time periods from the date of purchase shown on the sales receipt:

Two (2) Years Parts & On-Site Labor | Five (5) Years Compressor Warranty (Parts Only)

See complete warranty for details.

SapphireAppliances.com | 1.866.754.6672
The Legacy Companies

3355 Enterprise Avenue, Suite 160, Fort Lauderdale, FL 33331

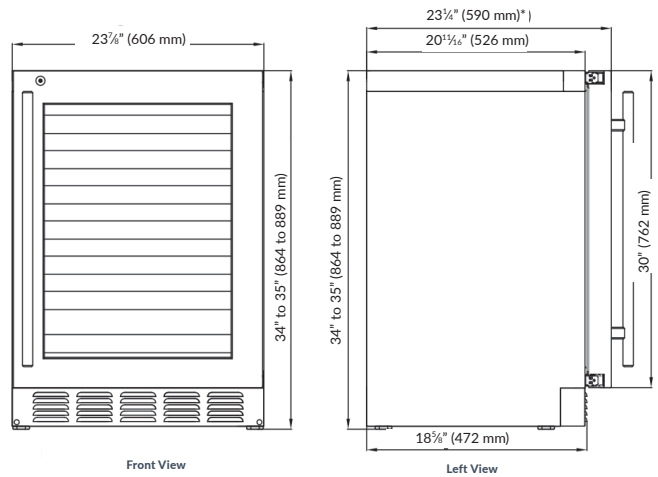
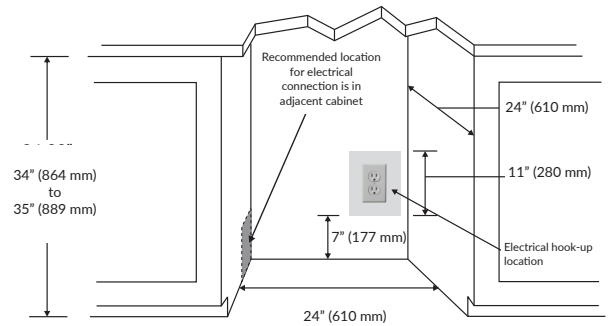
Indoor | 24" Single Zone Wine Refrigerator

SAPPHIRE

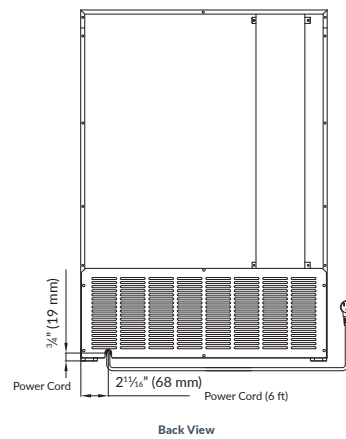
| Model | Details |
|-----------------------|--|
| Control Type | Electronic Capacitive Touch with OLED Screen |
| Indoor or Outdoor | Indoor |
| Built-in Installation | Inset, Frameless / Overlay and Framed Cabinet Styles |
| Refrigerant Type | R600a |

| Electrical | Details |
|-------------------------|---------------|
| Electrical Requirements | 115 V / 60 Hz |
| Volt Range | 104 V ~ 127 V |
| Electrical Service | 15 amp |
| Running Amps | 0.7 amps |

| Approvals - Certifications | Details |
|------------------------------|---------|
| Energy Star | Yes |
| ETL Residential / Commercial | Yes |
| ETL Sanitation | Yes |
| Star K | Yes |



*Dimensions are the same for Panel Ready unit with 3/4" panel applied



The Legacy Companies warrants to the original purchaser of its SAPPHIRE products that they will be free from defects in materials and workmanship for the following time periods from the date of purchase shown on the sales receipt:

Two (2) Years Parts & On-Site Labor | Five (5) Years Compressor Warranty (Parts Only)

See complete warranty for details.

SapphireAppliances.com | 1.866.754.6672
The Legacy Companies

3355 Enterprise Avenue, Suite 160, Fort Lauderdale, FL 33331

SAPSS06
081022

All specifications are subject to change without notice.