

30" DOUBLE WALL OVEN

MODELS : SWB3052DS, SWB3062GS



30" Double Wall Oven: Models SWB3052DS, SWB3062GS

US CUSTOMER ASSISTANCE	2	OVEN USE	13
CANADA CUSTOMER ASSISTANCE	3	BEFORE USING THE OVEN	13
US CONSUMER LIMITED WARRANTY	4	GENERAL.....	13
CANADA LIMITED WARRANTY	5	OVEN TEMPERATURE CONTROL	14
OVEN SAFETY	6	OVEN MODES	14
WARNINGS FOR ELECTRIC INSTALLATION	6	CONVECTION	16
IMPORTANT SAFETY INSTRUCTIONS	7	BAKE TIPS	17
PARTS AND FEATURES	9	CONVECTION BAKE TIPS	18
CONTROL PANEL	10	CONVECTION ROAST TIPS	19
OVEN MODE CONTROLS	10	CONVECTION BROIL TIPS	20
DISPLAY	10	DEHYDRATE TIPS.....	21
START/CONTROL LOCKOUT.....	10	BROIL TIPS	22
STOP/CLEAR.....	10	FOOD SERVICE TEMPERATURE GUIDELINES FROM FSIS ...	23
LIGHT.....	10	OVEN CARE	23
TIMER.....	10	GENERAL CLEANING	23
COOK TIME	10	AUTOMATIC SELF-CLEANING	24
START TIME	11	OVEN DOOR REMOVAL	25
SETTINGS	11	REPLACING AN OVEN LIGHT.....	26
SELF-CLEAN	12	TROUBLESHOOTING	27
BRIGHTNESS	12	BAKING AND ROASTING.....	27
DEMO MODE.....	12	OPERATION	27

IMPORTANT SAFETY INSTRUCTIONS

Carefully read the important information regarding installation, safety and maintenance.
Keep these instructions for future reference.

REGISTER YOUR PRODUCT

Registering your new product is easy and offers benefits that help you get the most out of your Sharp product including:

- ✓ **Convenience:** If you ever need warranty support, your product information is already on file.
- ✓ **Communication:** Stay up to date with important notifications and special offers from SHARP.
- ✓ **Support:** Quickly access support content including Owner's Manuals, FAQ's, How-to Videos, and much more.

3 EASY WAYS TO REGISTER TODAY!

 <p>SCAN Use the camera or QR code scanning application on your mobile device</p> <p>Scan this QR Code on your mobile device</p>	 <p>ONLINE Visit our sites to learn more about your product at sharpusa.com and sbl.sharpusa.com</p> <p>Visit http://www.sharpusa.com/register</p>	 <p>CALL US</p> <p>US 800-BE-SHARP 800-237-4277</p> <p>Mon-Fri: 7am-7pm CST Sat-Sun: 9am-7pm CST</p> <p>Contact a Sharp Advisor on the phone</p>
--	---	--

PRODUCT SUPPORT




If you have questions about the setup or operation of your product, please refer to the corresponding section within this manual.

Additionally, visit www.sharpusa.com/support to access exclusive content about your product including:

- FAQ's and How-To Videos
- Find or Request Service
- Purchase an Extended Warranty
- Downloads including the Installation Guide, Spec Sheet, and Owner's Manual

CONTACT US

If at any time you have questions or comments concerning your SHARP product, please contact the SHARP Customer Assistance Center. We are available to assist you through multiple contact methods for your convenience:

 <p>EMAIL Available 24/7 US: sharpusa.com</p> <p>See the Contact Us section on our sites</p>	 <p>CHAT ONLINE Mon-Fri: 7am-7pm CST Sat-Sun: 9am-7pm CST</p> <p>U.S. www.sharpusa.com/support</p>	 <p>CALL US</p> <p>US 800-BE-SHARP 800-237-4277</p> <p>Mon-Fri: 7am-7pm CST Sat-Sun: 9am-7pm CST</p> <p>Contact a Sharp Advisor on the phone</p>
--	--	--

CUSTOMER ASSISTANCE

CANADA ONLY

To aid in answering questions if you call for service or for reporting loss or theft, please use the space below to record the model and serial number located on the back side of the unit.

Model Number: _____

Serial Number: _____

Date of Purchase: _____

Dealer Name: _____

Address: _____

City: _____

Province: _____

Postal Code: _____

Telephone: _____

PRODUCT SUPPORT

If you have questions about the setup or operation of your product, please refer to the corresponding section within this manual.

Additionally, visit www.sharp.ca to access exclusive content about your product including:

- Find a Dealer
- Find Service Locations
- Downloads including the Installation Guide, Spec Sheet, and Owner's Manual

CONTACT US

If at any time you have questions or comments concerning your SHARP product, please contact the SHARP Customer Assistance Center. We are available to assist you through multiple contact methods for your convenience:



EMAIL

Available 24/7

See the Contact Us section on our site.

<https://sharp.ca/contact-sharp>



SUPPORT SITE

Product Downloads, Service Locator, Where to Buy, Toner Recycling Program and more.

CA | www.sharp.ca



CALL US

CA 877-278-6709
Mon-Fri: 8am-5pm EST
(except statutory holidays)

Contact a Sharp Advisor on the phone

SHARP®

US CONSUMER LIMITED WARRANTY

SHARP ELECTRONICS CORPORATION (“Sharp”) warrants to the first consumer purchaser (“Purchaser”) that this SHARP brand product (“Product”), when shipped in its original container and sold or distributed in the United States by Sharp or an authorized Sharp dealer or reseller, will be free from defective workmanship and materials, and agrees that it will, at its option, either repair the defect or replace the defective Product or part thereof with a new or remanufactured equivalent at no charge to the Purchaser for parts or labor for the period(s) set forth below.

This limited warranty does not apply to any appearance items of the Product nor to the additional excluded item(s) set forth below nor to any Product the exterior of which has been damaged or defaced, which has been subjected to misuse, abnormal service or handling, or which has been altered or modified in design or construction.

In order to enforce the rights under this limited warranty, the Purchaser should follow the steps set forth below and provide proof of purchase to the servicer.

The limited warranty described herein is in addition to whatever implied warranties may be granted to Purchasers by law. ALL IMPLIED WARRANTIES INCLUDING THE WARRANTIES OF MERCHANTABILITY AND FITNESS FOR USE ARE LIMITED TO THE PERIOD(S) FROM THE DATE OF PURCHASE SET FORTH BELOW. Some states do not allow limitations on how long an implied warranty lasts, so the above limitation may not apply to you.

Neither the sales personnel of the seller nor any other person is authorized to make any warranties other than those described herein, or to extend the duration of any warranties beyond the time period described above on behalf of Sharp.

The warranties described herein shall be the sole and exclusive warranties granted by Sharp and shall be the sole and exclusive remedy available to the Purchaser. Correction of defects, in the manner and for the period of time described herein, shall constitute complete fulfillment of all liabilities and responsibilities of Sharp to the Purchaser with respect to the Product, and shall constitute full satisfaction of all claims, whether based on contract, negligence, strict liability or otherwise. In no event shall Sharp be liable, or in any way responsible, for any damages or defects in the Product which were caused by repairs or attempted repairs performed by anyone other than an authorized servicer. Nor shall Sharp be liable or in any way responsible for any incident or consequential economic or property damage. Some states do not allow the exclusion of incidental or consequential damages, so the above exclusion may not apply to you.

THIS LIMITED WARRANTY IS VALID ONLY IN THE FIFTY (50) UNITED STATES, THE DISTRICT OF COLUMBIA AND PUERTO RICO.

Your product model number & description	Model # SWA3052DS, SWB3052DS, SWA3062GS, SWB3062GS or Home Use Wall Ovens. (Be sure to have this information available when you need service for your Product.)
Warranty period for this product:	One (1) year parts and labor including in-home service. Product must be accessible to provide service.
Additional item(s) excluded from warranty coverage (if any):	Non-functional accessories, light bulb, service calls to your home to instruct how to use your wall oven appliance, replace or repair house fuses or to correct house wiring, improper commercial use, installation, or maintenance, damage to the product caused by delivery, accident, modifications, fire, floods or acts of God.
Where to obtain service:	From a Sharp Authorized Servicer located in the United States. To find the location of the nearest Sharp Authorized Servicer, call Sharp toll free at 1-800-237-4277 (1-800-BE-SHARP).
What to do to obtain service:	In-home service is provided for one year from date of purchase. In-home service can be arranged by calling 1-800-BE-SHARP. Be sure to have Proof of Purchase available.

TO OBTAIN SUPPLY, ACCESSORY OR PRODUCT INFORMATION, CALL 1-800-BE-SHARP or visit www.sharpsusa.com. SAVE THE PROOF OF PURCHASE AS IT IS NEEDED SHOULD YOUR OVEN EVER REQUIRE WARRANTY SERVICE.



CANADA CONSUMER LIMITED WARRANTY

Congratulations on your purchase!

Sharp Electronics of Canada Ltd. (“Sharp”) warrants to the first purchaser for this Sharp brand product (“Product”), when shipped in its original container and sold or distributed in Canada by Sharp or by an authorized Sharp dealer, and Product was not sold “as is” or “sales final” that the Product will during the applicable warranty period, be free from defects in material and workmanship, and will within the applicable warranty period, either repair the defective Product or provide the first purchaser a replacement of the defective Product.

This warranty does not apply to any appearance items of the product nor to the additional excluded item(s) set forth below nor to any product the exterior of which has been damaged or defaced, which has been subjected to improper voltage or other misuse, abnormal service or handling, which has been altered or modified in design or construction, or if the serial number or model number affixed to Product has been removed, defaced, changed, altered or tampered with.

How to get service: Should this Sharp product fail to operate during the warranty period, warranty service is provided by an Authorized Sharp Service Centre or an Authorized Sharp Servicing Dealer. In home warranty service will be carried out to locations accessible by on-road service vehicle and within 50 km of an authorized Sharp service centre. The servicer may if necessary take the unit for repair at the servicer's facility. No other person (including any Sharp dealer or service centre) is authorized to extend, enlarge or transfer this warranty on behalf of Sharp.

The express warranties in this limited warranty are, except for consumer purchasers domiciled in Quebec, in lieu of and, except to the extent prohibited by applicable law, Sharp disclaims all other warranties and conditions, express or implied, whether arising by law, statute, by course of dealing or usage of trade, including, without limitation, implied warranties or conditions of merchantability and/or quality, fitness for a particular use or purpose, and/or non-infringement. Limitations (not applicable to consumer purchasers domiciled in Quebec to the extent prohibited under Quebec law): (a) Sharp shall not be liable for any incidental, special, consequential, economic, exemplary or indirect damages of any kind or nature (including lost profits or damages for loss of time or loss of use or loss of data) arising from or in any connection with the use or performance of a Product or a failure of a Product, even if Sharp is aware of or has been advised of the possibility of such damages; (b) the remedies described in this limited warranty constitute complete fulfillment of all obligations and responsibilities of Sharp to the purchaser with respect to the Product and shall constitute full satisfaction of all claims, whether based on contract, negligence, strict liability or otherwise. Some provinces may not allow the exclusion or limitation of certain damages, or limits on the duration or voiding of implied warranties or conditions; in such provinces, the exclusions and limits herein may not apply. This limited warranty is, except for consumer purchasers domiciled in Quebec, governed by the laws of the Province in Canada in which the purchaser has purchased the Product. For consumer purchasers domiciled in Quebec this limited warranty is governed by the laws of Quebec.

Your product model number & description Model # SWA3052DS, SWB3052DS, SWA3062GS, SWB3062GS or Home Use Wall Ovens.
(Be sure to have this information available when you need service for your Product.)

Warranty period for this product: One (1) year parts and labor including in-home service.
Product must be accessible to provide service.

Additional item(s) excluded from warranty coverage (if any): Non-functional accessories, light bulb, service calls to your home to instruct how to use your wall oven appliance, replace or repair house fuses or to correct house wiring, improper commercial use, installation, or maintenance, damage to the product caused by delivery, accident, modifications, fire, floods or acts of God.

To obtain the name and address of the nearest Authorized Sharp Service Centre or Dealer, please contact:

SHARP ELECTRONICS OF CANADA LTD 335 Britannia Road East
Mississauga, Ontario
L4Z 1W9
(905) 568-7140
Website: www.sharp.ca

THIS LIMITED WARRANTY IS VALID ONLY IN CANADA

OVEN SAFETY

YOUR SAFETY AND THE SAFETY OF OTHERS ARE VERY IMPORTANT.

We have provided many important safety messages in this manual and on your appliance. Always read and obey all safety messages.



This is the safety alert symbol.

This symbol alerts you to potential hazards that can kill or hurt you and others. All safety messages will follow the safety alert symbol and either the work "DANGER", "WARNING" or "CAUTION".



An imminently hazardous situation. You could be killed or seriously injured if you don't immediately follow instructions.



A potentially hazardous situation which, if not avoided, could result in death or serious bodily injury.



A potentially hazardous situation which, if not avoided, may result in moderate or minor injury.

All safety messages will tell you what the potential hazard is, tell you how to reduce the chance of injury, and tell you what can happen if the instructions are not followed.

State of California Proposition 65 Warnings:

WARNING: This product contains one or more chemicals known to the State of California to cause cancer.

WARNING: This product contains one or more chemicals known to the State of California to cause birth defects or other reproductive harm.

WARNINGS FOR ELECTRIC INSTALLATION

WARNING



ELECTRICAL SHOCK HAZARD

Installation and service must be performed by a qualified installer or service agency.

The model is powered at 240V.

Always disconnect the power before servicing this unit.

This appliance must be properly grounded.

Failure to do so could result in death or serious injury.

IMPORTANT SAFETY INSTRUCTIONS

READ ALL INSTRUCTIONS BEFORE USING

WARNING *To reduce the risk of fire, electrical shock, injury to persons, or damage when using the oven, follow basic precautions, including the following:*

PROPER INSTALLATION:

- 1 This appliance must be properly installed and electrically grounded by a qualified technician. Connect only to properly grounded outlet. See “Grounding Instructions” found in the Installation Instructions.
- 2 This appliance should be serviced only by a qualified service technician. Contact the nearest authorized service center for examination, repair or adjustment.
- 3 Do not repair or replace any part of the oven unless specifically recommended. Refer service to an authorized servicer.
- 4 Do not operate this appliance if it is not working properly or if it has been damaged, until an authorized servicer has examined it.
- 5 Install or locate this appliance only in accordance with the Installation Instructions.
- 6 Use this oven only as intended by the manufacturer. If you have any questions, contact the manufacturer.
- 7 Do not cover or block any openings on this appliance.
- 8 Use this appliance only for its intended use as described in this manual. Do not use corrosive chemicals, vapors, or nonfood products in this appliance. This type of oven is specifically designed to heat or cook. It is not designed for industrial or laboratory use. The use of corrosive chemicals in heating or cleaning will damage the appliance.

TO REDUCE THE RISK OF FIRE IN THE OVEN CAVITY:

- 1 Do not store flammable materials in or near the oven.
- 2 Do not use water on a grease fire. Smother fire or use a dry chemical or foam-type extinguisher.
- 3 It is highly recommended that a fire extinguisher be readily available and highly visible next to any cooking appliance.
- 4 Do not overcook food. Carefully attend oven if paper, plastic or other combustible materials are placed inside the oven.
- 5 Do not use the cavity for storage purposes. Do not leave paper products, cooking utensils or food in the cavity when not being used.
- 6 If materials inside the oven should ignite, keep oven

door closed. Turn oven off and disconnect the circuit at the circuit breaker box.

- 7 Be sure the blower fan runs whenever the oven is in operation. If the fan does not operate, do not use the oven. Call an authorized service center.
- 8 Never use the oven to warm or heat a room.

PERSONAL SAFETY:

- 1 Do not allow children to use this appliance unless closely supervised by an adult. Children and pets should not be left alone or unattended in the area where the appliance is in use. Never allow children to sit or stand on any part of the oven.
- 2 Do not store items of interest to children above the oven. If children should climb onto the appliance to reach these items, they could be seriously injured.
- 3 For personal safety, wear proper clothing. Loose fitting or garments with hanging sleeves should never be worn while using this appliance.
- 4 Tie long hair so that it doesn't hang loose.
- 5 Do not touch heating elements or interior surfaces of oven.
- 6 The heating elements may be hot even though they are dark in color. Interior surfaces of an oven become hot enough to cause burns.
- 7 During and after use, do not touch or let clothing or other flammable materials contact the heating elements or the interior surfaces of the oven until they have had sufficient time to cool.
- 8 The trim on the top and sides of the oven door may become hot enough to cause burns.
- 9 Use care when opening the door. Open the door slightly to let hot air or steam escape before removing or replacing food.
- 10 Do not heat unopened food containers. Build-up of pressure may cause the container to burst and cause injury.
- 11 Always place oven racks in desired location while oven is cool. If a rack must be moved while oven is hot, do not let potholder contact the hot heating elements.
- 12 Use only dry potholders. Moist or damp potholders on hot surfaces may result in burns from steam. Do not let potholder touch hot heating elements. Do not use a towel or other bulky cloth.

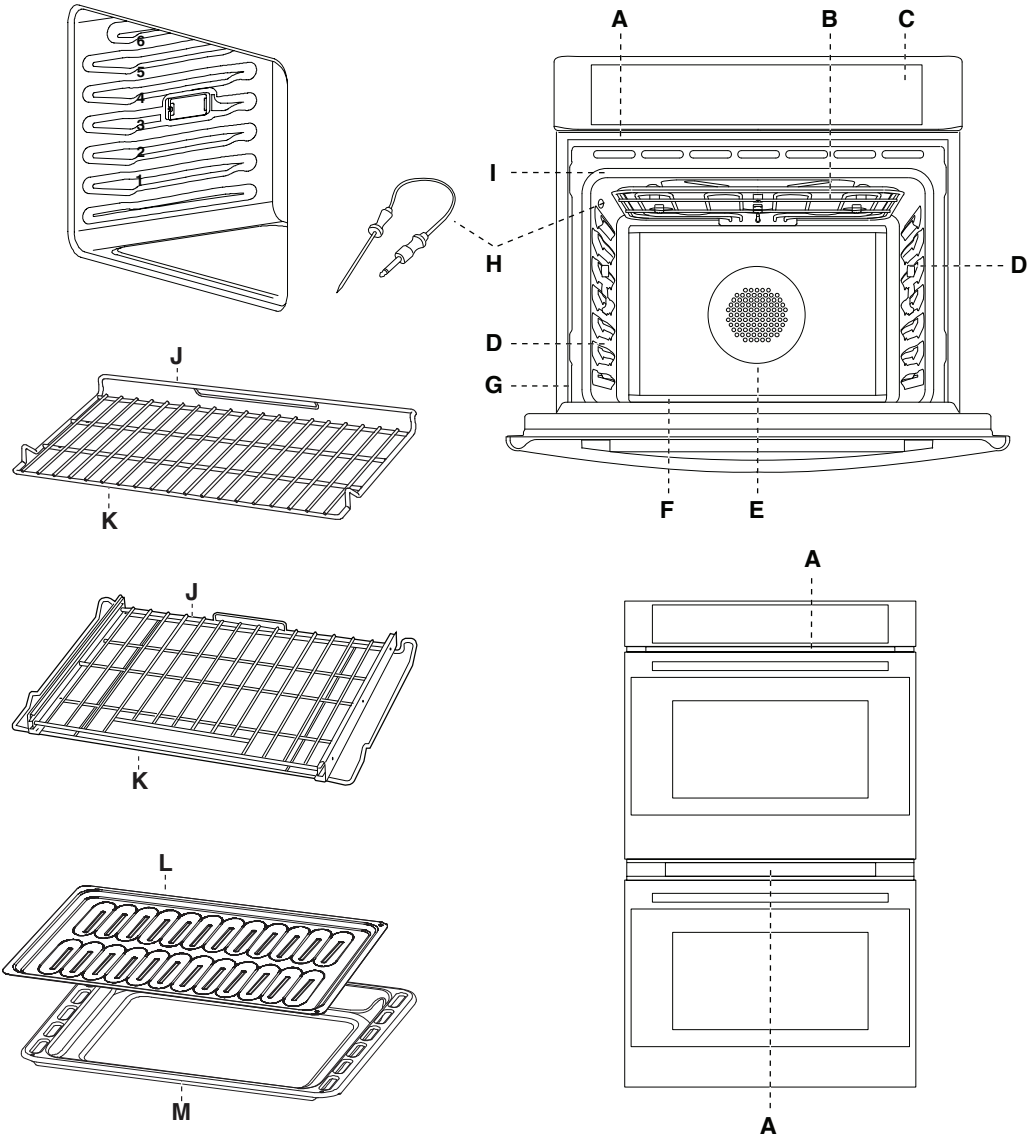
IMPORTANT SAFETY INSTRUCTIONS

SAFETY FOR THE SELF-CLEANING OVEN:

- 1** Before self-cleaning the oven, remove the broiler pan, oven racks (only when not made of porcelain), other utensils and excess soft spillage.
- 2** Confirm that the door locks and will not open once both selectors are in CLEAN position and the door lock icon appears. If the door does not lock, turn the cook mode selector to OFF and do not run Self-Clean. Call an authorized servicer.
- 3** Do not clean the door gasket. It is essential for a good seal. Care should be taken not to rub, damage, move or remove the door gasket.
- 4** Do not use commercial oven cleaners or oven liner protective coatings of any kind in or around any part of the oven.
- 5** Clean only oven parts listed in this manual.
- 6** Other surfaces of the appliance may become hot enough to cause burns - among these surfaces are for example: oven vent openings and surfaces near these openings, oven doors, and windows of oven doors.

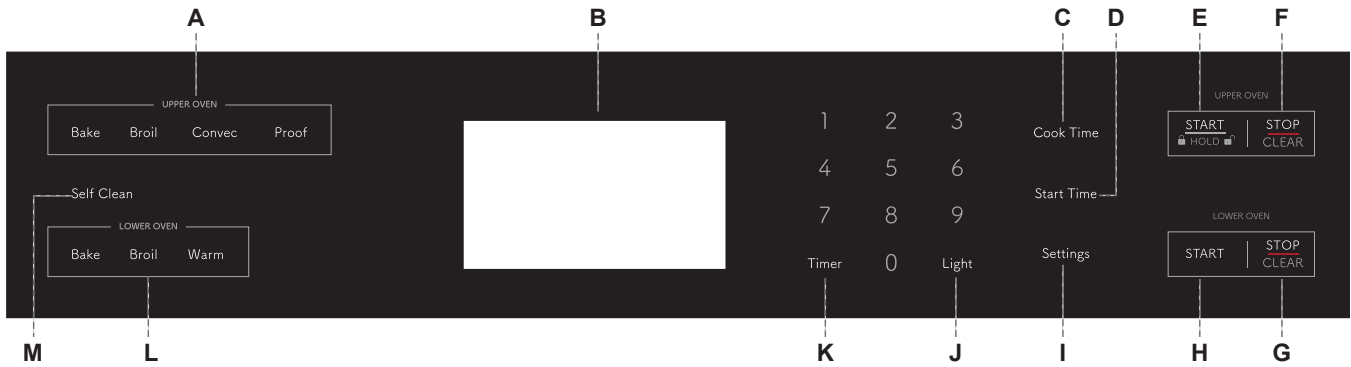
READ AND SAVE THESE INSTRUCTIONS

PART AND FEATURES



- A** Cooling Vents
- B** Broil Element
- C** Control Panel
- D** Halogen Light
- E** Convection Fan and Element
- F** Bottom Element (not visible)
- G** Model and Serial # Plate
- H** Temperature Probe (Upper Oven Only)
- I** Door Gasket
- J** Oven Rack Back (3 standard racks, 2 glide racks)
- K** Oven Rack Front
- L** Broiler Pan Rack
- M** Broiler Pan

CONTROL PANEL



- A Upper Oven Controls
- B Display
- C Cook Time
- D Start Time
- E Upper Oven Start
- F Upper Oven STOP/CLEAR
- G Lower Oven STOP/CLEAR
- H Lower Oven Start
- I Settings
- J Light
- K Timer
- L Lower Oven Controls
- M Self-Clean

OVEN MODE CONTROLS - UPPER OVEN: BAKE, BROIL, CONVEC, PROOF LOWER OVEN: BAKE, BROIL, WARM

Depending on which oven you are using, select from Bake, Broil, Convec, Proof and Warm oven modes.

DISPLAY

When power is first supplied to the oven or if a power failure occurs, "12:00" will appear on the display.

See "Clock," later in this section, for instructions to set the time-of-day. When the oven is not in use, the time-of-day appears in the display.

START

The Start control begins any oven function.

CONTROL PANEL LOCKOUT

The control panel can be locked to avoid unintended use of the oven.

NOTES:

- The control cannot be locked if the oven is in use or if Cook Time is operating.
- The current time-of-day will remain in the display when the control is locked.

TO LOCK CONTROL PANEL:

- Press and hold START/HOLD for 3 seconds or until  symbol appears in the display.  symbol will remain lit in the display.

TO UNLOCK CONTROL PANEL:

- Press and hold START/HOLD for 3 seconds or until  symbol disappears.

STOP/CLEAR

Press the STOP/CLEAR button to stop any function except Cook Time and Control Panel Lockout.

LIGHT

The oven lights turn On automatically when the oven door is opened, and turns Off automatically when the oven door is closed.

- Press the Light button to turn On/Off the oven lights when the oven door is closed.

TIMER

The Timer can be set in hours or minutes up to 12 hours.

TO SET THE TIMER:

- 1 Press TIMER.
- 2 Use the number keypad to enter the length of time in hours and minutes.
- 3 Press TIMER to begin the countdown. If enabled, timer tone(s) will sound at the end of countdown.
- 4 Press TIMER to cancel the Timer and return to the time-of-day.

NOTE: Do not press STOP/CLEAR because the oven will turn off.

COOK TIME

The Cook Time feature allows the oven to be set to cook for a set length of time, and then turn off automatically.

IMPORTANT: You must select an Oven Mode before you can set a Cook Time.

NOTES:

- Cook Time can be set in hours or minutes up to 12 hours.
- To change the cook time during cooking, press STOP/CLEAR. Enter the new cook time and press START.

- At the end of the set cook time, the oven will turn off automatically, the alert tone will sound, and “Complete” will appear in the text area.

TO SET COOK TIME:

- 1 Select cooking mode.
- 2 Select temperature.
- 3 Press COOK TIME. Enter the desired cook time by pressing the number keypad.
- 4 Press START. The oven will begin to preheat.

NOTES:

- The Cook Time format is HR:MIN, switching to MIN:SEC during the last minute.
- An alert tone will sound until Cook Time is canceled.

START TIME

This feature allows you to set the oven to turn on at a later time.

IMPORTANT: The clock must be set to the correct time-of-day.

- 1 Select an Oven Mode.
- 2 Select temperature.
- 3 Set Cook Time.
- 4 Press START TIME.
- 5 Enter the desired Start Time by pressing the number keypad. “Press START” will appear the display. If Cook Time was not set, the control will prompt you to “Set Cook Time.”

WARNING

FOOD POISONING HAZARD

Do not let food sit in oven more than one hour before or after cooking.
Doing so can result in food poisoning or sickness.

- 6 Place the food in the oven and close the oven door.
- 7 Press START. Start Time will begin counting down until it reaches the set time-of-day.

NOTE: At the end of Cook Time, the oven will turn off automatically, an alert tone will sound and “Complete” will appear in the display.

SETTINGS

The Settings control allows you to access the menu for additional functions and features.

- | | |
|----------------|---------------|
| 1 Clock | 6 Language |
| 2 Temp Unit | 7 Sabbath |
| 3 Sound | 8 Brightness |
| 4 Sound Volume | 9 Calibration |
| 5 12/24 hour | 0 Demo Mode |

Press SETTINGS to show Menu Options 1 - 6. Then, press START to show Options 7 - 0.

CLOCK

The clock can be set to display time in a 12-hour or 24-hour format. The clock is factory preset for the 12-hour format.

TO SET THE CLOCK:

NOTE: Before setting the clock, make sure both the Oven and Timer are turned Off.

- 1 Press SETTINGS. The various Options will appear in the display.
- 2 Press 1 on the number keypad. “Clock” will appear in the display.
- 3 Press 1 to toggle between AM and PM.
- 4 Press SETTINGS to confirm; AM or PM is set.
- 5 Press the number keypad to enter the time-of-day.
- 6 Press SETTINGS to confirm; time-of-day is set.

TO CHANGE THE CLOCK TO 24-HOUR FORMAT:

- 1 Press SETTINGS. The various Options will appear in the display.
- 2 Press 5 on the number keypad. “12/24 HOUR” and “12” will appear in the display.
- 3 Press 1 on the number keypad to change the 12/24 Hour setting to 24-hour.
- 4 Press SETTINGS to confirm. The 12/24-Hour setting has been changed.

TONES

Tones are audible signals, indicating the following:

Number of tones: 1

- Valid press
- Function has been entered
- Oven is preheated

Number of tones: 2

- Invalid touch pad press

Number of tones: 3

- End of cycle

Number of tones: 4

- End of TIMER

TO TURN ON/OFF SOUND:

The oven sound is factory preset for On but can be changed to Off.

- 1 Press SETTINGS. The various Options will appear in the display.
- 2 Press 3 on the number keypad. “SOUND” and “ON” will appear in the display.
- 3 Press 1 on the number keypad. “ON/OFF” will appear in the display.
- 4 Press 1 on the number keypad to turn the sound Off.

CONTROL PANEL

- 5 Press **SETTINGS** to confirm. The sound has now been turned off.
- 6 Press **SETTINGS**, and then follow the display prompts to return the sound setting to On.

TO ADJUST SOUND VOLUME:

The oven sound is factory preset for High but can be changed to Low.

- 1 Press **SETTINGS**. The various Options will appear in the display.
- 2 Press 4 on the number keypad. "SOUND VOLUME" and "HIGH" will appear in the display.
- 3 Press 1 on the number keypad. HIGH/LOW" will appear in the display.
- 4 Press 1 on the number keypad to turn the sound Low.
- 5 Press **SETTINGS** to confirm. The sound volume has now been changed.
- 6 Press **SETTINGS**, and then follow the display prompts to return the sound volume setting to High.

DEGREES FAHRENHEIT AND CELSIUS

The temperature is factory preset to display in degrees Fahrenheit, but can be changed to display in degrees Celsius.

To Change the Display from Degrees Fahrenheit to Degrees Celsius:

- 1 Press **SETTINGS**. The various Options will appear in the display.
- 2 Press 2 on the number keypad. "TEMP UNIT" and "FAHRENHEIT" will appear in the display.
- 3 Press 1 on the number keypad. "DEGREE F/C" will appear in the display.
- 4 Press 1 on the number keypad to change the temperature unit setting to degrees Celsius.
- 5 Press **SETTINGS** to confirm. The temperature unit has been changed.
- 6 Press **SETTINGS**, and then follow the display prompts to return to Fahrenheit.

SABBATH MODE

NOTE: The oven is factory preset with Sabbath Mode Off.

TO TURN ON/OFF SABBATH MODE:

- 1 Make sure the oven is turned Off, and the meat probe is not plugged in.
NOTE: Sabbath mode cannot be set when the oven is On. The oven will not recognize the meat probe while in Sabbath mode.
- 2 Press **SETTINGS**, and Press **START** to go to the next page, and then press 7.
- 3 Press 1 to toggle between ON/OFF
- 4 Press **SETTINGS** again to enable Sabbath mode. The only cooking function that works while the oven is set to Sabbath mode is Bake.

TO BAKE WHILE THE OVEN IS IN SABBATH MODE:

- 1 Turn on Sabbath mode from **SETTINGS** menu.
- 2 Enter the desired oven temperature by pressing the numbered keypad.
- 3 After selecting a Temperature, you have the option to set a Cook Time and Start Time before pressing **START**. See "Cook Time" and "Start Time."
- 4 Press **START**. Pressing Start activates Sabbath mode.

ONLY THE STOP/CLEAR CONTROL IS FUNCTIONAL.

- Press **STOP/CLEAR** twice to exit Sabbath mode, and resume normal oven operation. The display will return to the time-of-day.

NOTE: If there is a power failure while the oven is in Sabbath mode, the oven will exit Sabbath mode and resume in normal mode when power is restored.

LANGUAGE

The language default for the oven is English.

SELF-CLEAN

Operates the Automatic Self-cleaning feature. See "Oven Care" on page 24.

BRIGHTNESS

- 1 Press **SETTINGS** and Press **START** to go to the next page.
- 2 Press 8 on the number keypad. "BRIGHTNESS" and "HIGH" will appear in the display.
- 3 Press 1 to toggle between HIGH/LOW.
- 4 Press **SETTINGS** to confirm.

CALIBRATION

See "Oven Temperature Control" on page 14.

DEMO MODE

- 1 Press **SETTINGS** and Press **START** to go to the next page.
- 2 Press 0 on the number keypad. "DEMO MODE" and "OFF" will appear in the display.
- 3 Press 1 to toggle between ON/OFF.
- 4 Press **SETTINGS** to confirm.

NOTE: Oven does not heat in DEMO MODE. The display counts down quickly.

BEFORE USING THE OVEN

- 1 Select Bake cooking mode.
- 2 Set temperature to 500°F.
- 3 Allow the oven to operate for 30 minutes with the door closed and no food in the cavity.

NOTE: Any odor that may be detected during this initial use is due to the evaporation of substances used to protect the oven during storage.

- 4 Turn off the oven, and allow the oven to cool.

GENERAL

IMPORTANT: Do not place anything, including dishes, foil and oven trays, on the bottom of the oven when it is in operation to avoid damaging the enamel.

- 1 Place bakeware with food on one or both of the shelves provided with the oven.
- 2 Press the Oven Mode control for the desired oven function.
- 3 Use the number keypad to enter the oven temperature.
- 4 Press START.

PREHEATING THE OVEN

- Preheat the oven when using the Bake, Convection Bake and Convection Roast modes.
- Selecting a higher temperature does not shorten the preheat time.
- Preheating is necessary for good results when baking cakes, cookies, pastry and breads.
- Preheating will help to sear roasts and seal in meat juices.
- Place oven racks in their proper position before preheating.
- During preheating, the selected cooking temperature is always displayed.
- A beep will confirm that the oven is preheated and the “PREHEAT” writing will turn off.

OPERATIONAL SUGGESTIONS

- Use the cooking charts, in this manual, as a guide.
- Do not set pans on the open oven door.
- Use the interior oven lights to view the food through the oven door window rather than opening the door frequently.

TEMPERATURE PROBE

WARNING



BURN HAZARD

Use an oven mitt to remove temperature probe.

Do not touch broil element.

Failure to do so can result in burns.

The temperature probe monitors the internal food temperature, which is frequently used as an indicator of doneness especially for meats and poultry, and turns off the oven when the internal food temperature reaches the programmed temperature.

The temperature probe will work with all oven modes except for the Warm/Proof, Sabbath and Self-Clean modes.

IMPORTANT: Always unplug and remove the temperature probe from the oven when removing the food.

TO USE THE TEMPERATURE PROBE:

- 1 Insert the probe into the food.

NOTE: For meats, the probe tip should be inserted into the center of the thickest part of the meat. Make sure that the probe tip is not into the fat or touching bone.

- 2 Place the food into the oven. Keeping the temperature probe as far away from a heat source as possible, plug the temperature probe into the oven outlet. Close the oven door.
- 3 Select the oven mode.
- 4 Enter the oven temperature by pressing the numbers on the keypad.
- 5 Press START. The set oven temperature will appear on the display throughout cooking.
- 6 Enter the desired internal food temperature by pressing the numbers on the keypad, and then press START.

NOTES:

- The internal food temperature can be set between 110°F and 200°F (43°C and 93°C).
 - When the set probe temperature is reached, the oven will turn off.
- 7 Press STOP/CLEAR when finished. Unplug the temperature probe and remove food from the oven.
- NOTE:** The probe icon will remain lit in the display until the probe is unplugged.

UTENSILS

- Glass baking dishes absorb heat. Reduce oven temperature 25°F (15°C) when baking in glass.
- Use pans that produce the desired browning. The type of finish on the pan will help determine the amount of browning that will occur.
 - Shiny, smooth metal or light non-stick / anodized pans reflect heat, resulting in lighter, more delicate browning. Cakes and cookies require this type of utensil.
 - Dark, rough or dull pans will absorb heat resulting in a browner, crisper crust. Use this type for pies.
- Do not cook with the empty broiler pan in the oven, as this could affect cooking performance. Store the broil pan outside of the oven.

HIGH ALTITUDE BAKING

When cooking at high altitude, cooking times may be extended.

OVEN USE

OVEN RACKS

IMPORTANT: To avoid permanent damage to the porcelain finish, place food or bakeware on an oven rack. Do not place food or bakeware directly onto the oven door or oven bottom.

- The oven racks can be placed in any of the six height positions with the oven.
- Position racks before turning on the oven.
- Make sure the oven racks are level.
- Oven racks have a stop to keep them from being unintentionally withdrawn fully.

TO REMOVE OVEN RACKS:

- Pull rack out to the stop position, raise the front edge, and then lift out.

TO REPLACE OVEN RACKS:

- Place oven rack on the wire supports along the sides of the oven. Tilt the front edge up slightly, and slide rack to the rear until it clears the stop position. Lower the front and slide the rack into the oven.

COMPONENT COOLING FAN

Activates during any cooking or self-cleaning mode to cool inner components and outer door surfaces. This air is exhausted through the vent located above the oven door. It continues to run until components have cooled sufficiently. The cooling fan operates at double speed (or RPM's) in self-clean and whenever the internal components temperature becomes high.

OVEN DOOR

To avoid oven door glass breakage:

- Do not close the oven door if the racks are not fully inserted into the oven cavity or if bakeware extends past the front edge of an oven rack.
- Do not set objects on the glass surface of the oven door.
- Do not hit glass surfaces with bakeware or other objects.
- Do not wipe down glass surfaces until the oven has completely cooled.

OVEN VENTS

Blocking or covering the oven vents will cause poor air circulation, affecting cooking, cleaning and cooling results.

- Both the upper and lower oven vent(s) allow fresh air to enter the cooling system.
- The lower oven vent also allows hot air to be expelled from the cooling system.

OVEN CONDENSATION AND TEMPERATURE

- It is normal for a certain amount of moisture to evaporate from the food during any cooking process. The amount depends on the moisture content of the food.
- The moisture may condense on any surface cooler than the inside of the oven, such as the control panel.
- Your new oven has an electronic temperature sensor to help

maintain an accurate temperature. Your previous oven may have had a mechanical thermostat that drifted gradually over time to a higher temperature. It is normal that you may need to adjust your favorite recipes when cooking in a new oven.

OVEN TEMPERATURE CONTROL

The oven provides accurate temperatures; however, it may cook faster or slower than your previous oven, so the temperature calibration can be adjusted. It can be adjusted in degrees Fahrenheit or Celsius.

A minus sign means the oven will be cooler by the displayed amount. The absence of a minus sign means the oven will be warmer by the displayed amount.

Use the following chart as a guide:

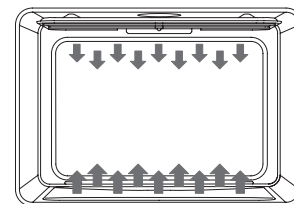
ADJUSTMENT °F (ADJUSTMENT °C)	COOKS FOOD
10°F (6°C)	a little more
20°F (12°C)	moderately more
30°F (17°C)	much more
-10°F (-6°C)	a little less
-20°F (-12°C)	moderately less
-30°F (-17°C)	much less

TO ADJUST OVEN TEMPERATURE CALIBRATION:

- 1 Press **SETTINGS**. The various Options will appear in the display.
- 2 Press number 9 on the keypad. "CALIBRATION" "PRESS 3 TO INCREASE/PRESS 6 TO DECREASE" will scroll across the display.
- 3 Press number 3 on the keypad to increase or number 6 to decrease the temperature in 5°F (3°C) increments. The adjustment can be set between 30°F (18°C) and -30°F (-18°C).
- 4 Press **SETTINGS** to save the adjustment, and then exit the Temperature Calibration menu.

OVEN MODES

The illustrations show the heating elements and fans used for each oven mode.



NOTE: The lower element is concealed under the oven floor.

BAKE

Baking is cooking with heated air. Both upper and lower elements in the oven are used to heat the air but no fan is used to circulate the heat.

Follow the recipe or convenience food directions for baking temperature, time and rack position. Baking time will vary with the temperature of ingredients and the size, shape and finish of the bakeware.

1 Press **BAKE** to select the bake mode. “BAKE” will appear in the display and 350°F (177°C) will be displayed. “Set temp or Press START” will appear in the display.

2 Press **START**, if you wish to cook at 350°F (177°C).

OR

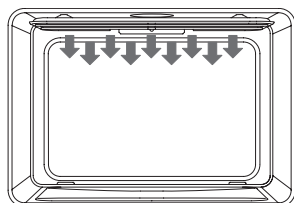
Enter the desired temperature by pressing the number keypad, and then press **START**. The temperature can be set from 170°F (77°C) to 500°F (260°C).

NOTES:

- The temperature can be changed at any time during cooking. Press **STOP/CLEAR** to clear the settings. Select oven mode, then enter the desired temperature by pressing the number keypad, and then press **START**.
 - After selecting an Oven Mode and Temperature, you have the option to set a Cook Time and Start Time before pressing **START**. See “Cook Time” and “Start Time.”
- 3** Press **STOP/CLEAR** when finished baking, and remove food from the oven.

BROIL

Broiling uses direct radiant heat to cook food. The lower the temperature, the slower the cooking. Thicker cuts and unevenly shaped pieces of meat, fish and poultry may cook better at lower broiling temperatures.



- For best results, use a broiler pan and rack. It is designed to drain juices and help avoid spatter and smoke.
- For proper draining, do not cover the grid with foil. The bottom of the pan may be lined with aluminum foil for easier cleaning.
- Trim excess fat to reduce spattering. Slit the remaining fat on the edges to avoid curling.
- Select **HI/550°F (288°C)** broil for most broiling. Select **LO/450°F (232°C)** broil for low-temperature broiling of longer cooking foods such as poultry to avoid over-browning.
- Pull out oven rack to stop position before turning or removing food. Use tongs to turn food to avoid the loss of juices. Very thin cuts of fish, poultry or meat may not need to be turned.

TO BROIL:

1 Place the food on the rack in the broiler pan and place pan in the oven. Close the oven door.

NOTE: Preheating is not necessary.

2 Press **BROIL** for the desired mode. “BROIL” and “Set temp or Press START” will appear in the display, and “550°F” (288°C) will be displayed.

3 Press **START**, if you wish to broil at 550°F (288°C).

OR

Enter the desired temperature by pressing the number keypad, and then press **START**. The temperature can be set from 450°F (232°C) to 550°F (288°C).

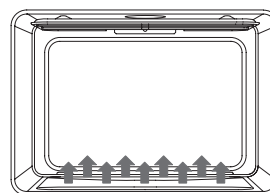
4 “BROIL” will appear in the display after Start is pressed.

NOTES:

- The broil temperature can be changed at any time during cooking. Press **STOP/CLEAR** to clear the settings. Select oven mode, then enter the desired temperature by pressing the number keypad, and then press **START**.
 - After selecting an Oven Mode and Temperature, you have the option to set a Cook Time and Start Time before pressing **START**. See “Cook Time” and “Start Time.”
- 5** Press **STOP/CLEAR** when finished broiling, and remove food from the oven.

WARM (LOWER OVEN)

The Warm mode keeps hot, cooked foods at serving temperature.



⚠ WARNING

FOOD POISONING HAZARD

Do not let food sit in oven more than one hour before or after cooking.
Doing so can result in food poisoning or sickness.

IMPORTANT: Food must be at serving temperature before placing it in the warmed oven. Food may be held up to 1 hour; however, breads and casseroles may become too dry if left in the oven during the Warm function. For best results, cover food.

1 Press **WARM**. “Warm” and “Set Temp or Press START” and 140°F (60°C) will be displayed.

2 Use the number keypad to enter the desired temperature.

The temperature can be set from 140°F (60°C) to 210°F (99°C).

3 Press **START**. “WARM” and the set temperature will appear in the display.

4 Place food in the oven and close the door.

5 Press **STOP/CLEAR** when finished, and remove food from the oven.

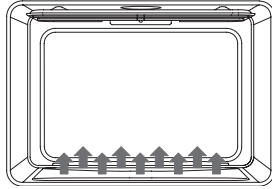
TO CANCEL WARM FEATURE:

- Press **STOP/CLEAR**. Remove food from oven.

OVEN USE

PROOF (UPPER OVEN)

The Proof mode prepares dough for baking by activating the yeast. Follow the recipe directions as a guide.



▲ WARNING

FOOD POISONING HAZARD

Do not let food sit in oven more than one hour before or after cooking.
Doing so can result in food poisoning or sickness.

- 1 Before proofing, place the dough in a lightly greased bowl and cover loosely with wax paper, coated with shortening. Place on second rack from the bottom and close the oven door.
- 2 Press PROOF. “PROOF” and “Set Temp or Press START,” and 100°F (38°C) will be displayed.
- 3 Use the number keypad to enter the desired temperature. The temperature can be set from 80°F (27°C) to 120°F (49°C).
- 4 Press START.
- 5 Let the dough rise until nearly doubled in size, checking after 20-25 minutes. Proofing time may vary depending on dough type and quantity.
- 6 Press STOP/CLEAR when finished proofing.
- 7 Before second proofing, shape the dough, place it in baking pan(s) and cover loosely with plastic wrap, coated with cooking spray. Follow the same placement and control steps above. Before baking, remove the plastic wrap.

CONVECTION (UPPER OVEN ONLY)

During convection cooking, the fan provides hot air circulation throughout the oven. The movement of heated air around the food can help to speed up cooking by penetrating the cooler outer surfaces.

In Convection mode, the ring element, bake and broil elements, and the fan operate to heat the oven cavity. If the oven door is opened during convection cooking or preheating, the fan turns off immediately and the element(s) will turn off after 30 seconds. Once the door is closed, the element(s) will turn back on.

CONVECTION FAN

The convection fan operates during any convection mode. When the oven is operating in convection mode, the fan will turn off automatically when the door is opened. The convection fan always runs during the preheat time.

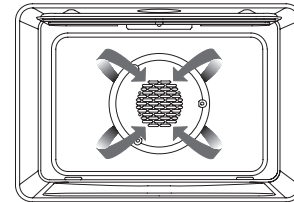
ADVANTAGES OF CONVECTION COOKING

- Saves time and energy.
- Even baking, browning and crisping are achieved.

- During roasting, juices and flavors are sealed in while the exterior is crisp.
- Yeast breads are lighter, more evenly textured, more golden and crustier.
- Air-leavened foods such as cream puffs, soufflés and meringues are higher and lighter.
- Baking on multiple racks at the same time with even results is possible.
- Prepare whole meals at once with no flavor transfer.
- Dehydrates herbs, fruits and vegetables.
- Requires no specialized bake ware.
- Convection broiling allows for extraordinary grilling with thicker cuts of food.

CONVECTION BAKE

Use Convection bake for single or multiple rack baking. When convection baking, reduce your recipe baking temperature by 25°F (15°C).



TO SET CONVECTION BAKE:

- 1 Press CONVEC. “Convection” and “Press 1-4 To Choose” will appear in the display.
- 2 Press number 1 on the keypad. “Convect Bake” and “Set Temp or Press START” and 325°F (163°C) will be displayed.
- 3 Press START If you wish to convection bake at 325°F (163°C).
OR

Enter the desired temperature by pressing the number keypad, and then press START. The temperature can be set from 170°F (77°C) to 500°F (260°C).

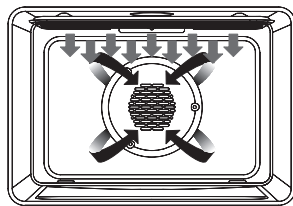
NOTE: After selecting an Oven Mode and Temperature, you have the option to set a Cook Time and Start Time before pressing START. See “Cook Time” and “Start Time.”

- 4 The oven will begin preheating once Start is pressed. A tone will sound when the oven is at the set temperature.
- 5 Place the food in the oven and close the oven door when preheat is completed.
- 6 Press STOP/CLEAR when finished, and remove food from the oven.

CONVECTION BROIL

When convection broiling, enter your normal broiling temperature. The oven door must be closed when using Convection Broil.

It is not necessary to preheat the oven for Convection Broil.



- 1 Place the food in the oven and close the oven door.
- 2 Press CONVEC. "Convection and "Press 1-4 To Choose" will be displayed.
- 3 Press number 2 on the keypad. "Convect Broil" and "Set Temp or Press Start" and 450°F (232°C) will be displayed.
- 4 Press START, if you wish to broil at 450°F (232°C).

OR

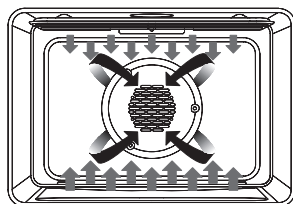
Enter the desired temperature by pressing the number keypad, and then press START. The temperature can be set from 170°F (77°C) to 550°F (288°C).

NOTE: After selecting an Oven Mode and Temperature, you have the option to set a Cook Time and Start Time before pressing START. See "Cook Time" and "Start Time."

- 5 "Convect Broil" will be displayed, once Start is pressed.
- 6 Press STOP/CLEAR when finished, and remove food from the oven.

CONVECTION ROAST

When Convection roasting, enter your normal roasting temperature. The roasting time should be 15-30% less than in conventional cooking. It is not necessary to preheat the oven for convection roast.



- 1 Place the food in the oven and close the oven door.
- 2 Press CONVEC. "Convection" and "Press 1-4 To Choose" will be displayed.
- 3 Press number 3 on the keypad. "Convect Roast," "Set Temp or Press START", and 325°F (163°C) will be displayed.
- 4 Press START, if you wish to convection roast at 325°F (163°C).

OR

Enter the desired temperature by pressing the number keypad, and then press START. The temperature can be set from 170°F (77°C) to 500°F (260°C).

NOTE: After selecting an Oven Mode and Temperature, you have the option to set a Cook Time and Start Time before pressing START. See "Cook Time" and "Start Time."

- 5 "Convect Roast" will be displayed, once Start is pressed.
- 6 Press STOP/CLEAR when finished and remove food from the oven.

CONVECTION CONVERSION

CONVECTION CONVERSION can be used to convert from conventional cooking to convection cooking. This function will automatically convert the cooking temperature and cooking time to recommended cooking settings.

As a result, the cooking temperature is lower and the cooking time is shorter. Options that can be selected include Meats, Baked Goods or Others.

NOTES:

- When using Convection Conversion, enter the normal cooking temperature and time.
- The oven door must be closed before setting Convection Conversion.

MEATS (ONLY)

It is not necessary to preheat the oven for the Convection Conversion MEATS option. Preheating can cause overcooking. If preheat is required for the recipe, add 15 minutes to the Cook Time, and place food in the oven at the appropriate time.

- 1 Place food in the oven and close the door.
- 2 Press CONVEC. "Convection and Press 1-4 To Choose" will be displayed
- 3 Press number 4 on the keypad. "Convect Convert and Press 1-3 To Choose" will be displayed.
- 4 Press number 2 on the keypad. "Meats" and 350°F (177°C) will be displayed.
- 5 Enter your normal roasting temperature by pressing the number keypad.
- 6 Enter your normal Cook Time. See "Cook Time," and then press START.

BAKED GOODS AND OTHERS (ONLY)

- 1 Preheating will start. Once the oven is preheated to the set temperature, the control will beep. Place the food in the oven and close the oven door.
- 2 At the end of the set cooking time, the oven will turn off automatically. The alert tone will sound, and "Complete" will appear in the display.
- 3 Press STOP/CLEAR when finished and remove food from the oven.

BAKE TIPS

- For best results, bake food on a single rack with at least 1"-1½" (2.5-3 cm) space between utensils and oven walls.
- Use one rack when selecting the bake mode.
- Check for doneness at the minimum time.
- Use metal bakeware (with or without a non stick finish), heatproof glass, glass-ceramic, pottery or other utensils suitable for the oven.
- When using heatproof glass, reduce temperature by 25°F (15°C) from recommended temperature.
- Use baking sheets with or without sides or jelly roll pans.
- Dark metal pans or nonstick coatings will cook faster with

OVEN USE

more browning. Insulated bakeware will slightly lengthen the cooking time for most foods.

- Do not use aluminum foil or disposable aluminum trays to line any part of the oven. Foil is an excellent heat insulator and heat will be trapped beneath it. This will alter the cooking

performance and can damage the finish of the oven.

- Avoid using the opened door as a shelf to place pans.
- See Troubleshooting for tips for Baking and Roasting problems.

BAKE CHART

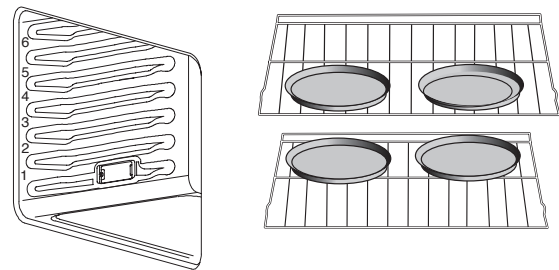
FOOD ITEM	RACK POSITION	TEMP. °F (°C) (PREHEATED OVEN)	TIME (MIN.)
Cake			
• Cupcake	2	350 (177)	19-22
• Bundt Cake	1	350 (177)	40-45
• Angel Food	1	350 (177)	35-39
Pie			
• 2 crust, fresh, 9"	2	375-400 (190-205)	45-50
• 2 crust, frozen fruit, 9"	2	375 (190)	68-78
Cookies			
• Sugar	2	350-375 (177-190)	8-10
• Chocolate Chip	2	350-375 (177-190)	8-13
• Brownies	2	350 (177)	29-36
Breads			
• Yeast bread loaf, 9x5	2	375 (190)	18-22
• Yeast rolls	2	375-400 (190-205)	12-15
• Biscuits	2	375-400 (190-205)	7-9
• Muffins	2	425 (220)	15-19
Pizza			
• Frozen	2	400-450 (205-232)	23-26
• Fresh	2	475 (246)	15-18

CONVECTION BAKE TIPS

Reduce recipe baking temperatures by 25°F (15°C).

- For best results, foods should be cooked uncovered, in low-sided pans to take advantage of the forced air circulation. Use shiny aluminum pans for best results unless otherwise specified.
- Heatproof glass or ceramic can be used. Reduce temperature by another 25°F (15°C) when using heatproof glass dishes for a total reduction of 50°F (30°C).
- Dark metal pans may be used. Note that food may brown faster when using dark metal bake ware.
- The number of racks used is determined by the height of the food to be cooked.
- Baked items, for the most part, cook extremely well in convection. Don't try to convert recipes such as custards, quiches, pumpkin pie, or cheesecakes, which do not benefit from the convection-heating process. Use the regular Bake mode for these foods.
- Multiple rack cooking for oven meals is done on rack positions 1, 2, 3, 4 and 5. All six racks can be used for cookies, biscuits and appetizers.
 - 2 Rack baking: Use positions 1 and 3.

- When baking four cake layers at the same time, stagger pans so that one pan is not directly above another. For best results, place cakes on front of upper rack and back of lower rack (See graphic below). Allow 1" - 1 ½" (2.5 - 3 cm) air space around pans.



- Converting your own recipe can be easy. Choose a recipe that will work well in convection.
- Reduce the temperature and cooking time if necessary. It may take some trial and error to achieve a perfect result. Keep track of your technique for the next time you want to prepare the recipe using convection.
- See Troubleshooting for tips for Baking and Roasting problems.

FOODS RECOMMENDED FOR CONVECTION BAKE MODE:

- Appetizers, Biscuits, Coffee Cakes
- Cookies (2 to 4 racks), Yeast Breads
- Cream Puffs, Popovers
- Casseroles and One-Dish Entrees
- Oven Meals (rack positions 1, 2, 3)
- Air Leavened Foods (Soufflés, Meringue, Meringue-Topped Desserts, Angel Food Cakes, Chiffon Cakes)

CONVECTION BAKE CHART

Reduce standard recipe temperature by 25 °F (15 °C) for Convection Bake.

Temperatures have been reduced in this chart.

FOOD ITEM	RACK POSITION	TEMP. °F (°C) (PREHEATED OVEN)	TIME (MIN.)
Cake			
• Cupcake	2	325 (163)	20-22
• Bundt Cake	1	325 (163)	43-50
• Angel Food	1	325 (163)	43-47
Pie			
• 2 crust, fresh, 9"	2	350-400 (177-205)	40-52
• 2 crust, frozen fruit, 9"	2	350 (177)	68-78
Cookies			
• Sugar	2	325-350 (163-177)	8-10
• Chocolate Chip	2	325-350 (163-177)	8-13
• Brownies	2	325 (163)	29-36
Breads			
• Yeast bread loaf, 9x5	2	350 (177)	18-22
• Yeast rolls	2	350-375 (177-190)	12-15
• Biscuits	2	375 (190)	8-10
• Muffins	2	400 (205)	17-21
Pizza			
• Frozen	2	375-425 (190-220)	23-26
• Fresh	2	450 (232)	15-18

CONVECTION ROAST TIPS

- Do not preheat for Convection Roast.
- Roast in a low-sided, uncovered pan.
- When roasting whole chicken or turkey, tuck wings behind back and loosely tie legs with kitchen string.
- Use the 2-piece broil pan for roasting uncovered.
- Use the probe or a meat thermometer to determine the internal doneness on "END" temperature (see cooking chart).
- Double-check the internal temperature of meat or poultry by inserting meat thermometer into another position.
- Large birds may also need to be covered with foil (and pan roasted) during a portion of the roasting time to prevent over-browning.
- The minimum safe temperature for stuffing in poultry is 165°F (75°C).
- After removing the item from the oven, cover loosely with foil for 10 to 15 minutes before carving if necessary to increase the final foodstuff temperature by 5° to 10°F (3° to 6° C).

▲ WARNING



BURN HAZARD

Use an oven mitt to remove temperature probe.
Do not touch broil element.
Failure to do so can result in burns.

OVEN USE

CONVECTION ROAST CHART

MEAT	WEIGHT (LB)	OVEN TEMP. °F (°C)	RACK POSITION	TIME (MIN. PER LB)	INTERNAL TEMP. °F (°C)
Beef					
• Rib Roast	4-6	325 (163)	2	16-20 18-22	145 (63) medium rare 160 (71) medium
• Rib Eye Roast, (boneless)	4-6	325 (163)	2	16-20 18-22	145 (63) medium rare 160 (71) medium
• Rump, Eye, Tip, Sirloin (boneless)	3-6	325 (163)	2	16-20 18-22	145 (63) medium rare 160 (71) medium
• Tenderloin Roast	2-3	400 (205)	2	15-20	145 (63) medium rare
Pork					
• Loin Roast (boneless or bone-in)	5-8	350 (177)	2	16-20	160 (71) medium
• Shoulder	3-6	350 (177)	2	20-25	160 (71) medium
Poultry					
• Chicken whole	3-4	375 (190)	2	18-21	180 (82)
• Turkey, not stuffed	12-15	325 (163)	1	10-14	180 (82)
• Turkey, not stuffed	16-20	325 (163)	1	9-11	180 (82)
• Turkey, not stuffed	21-25	325 (163)	1	6-10	180 (82)
• Turkey Breast	3-8	325 (163)	1	15-20	170 (77)
• Cornish Hen	1-1½	350 (177)	2	45-75 total	180 (82)
Lamb					
• Half Leg	3-4	325 (163)	2	22-27 28-33	160 (71) medium 170 (77) well
• Whole Leg	6-8	325 (163)	1	22-27 28-33	160 (71) medium 170 (77) well

CONVECTION BROIL TIPS

- Place rack in the required position needed before turning on the oven.
- Use Convection Broil mode with the oven door closed.
- Do not preheat oven.
- Use the 2-piece broil pan.
- Turn meats once halfway through the cooking time (see convection broil chart).

CONVECTION BROIL CHART

FOOD AND THICKNESS	RACK POSITION	BROIL SETTING °F (°C)	INTERNAL TEMP. °F (°C)	TIME SIDE 1 (MIN.)*	TIME SIDE 2 (MIN.)*
Beef					
• Steak (1½" or more)					
- Medium rare	4	450 (232)	145 (63)	9-12	8-10
- Medium	4	450 (232)	160 (71)	11-13	10-12
- Well	4	450 (232)	170 (77)	18-20	16-17
• Hamburgers (more than 1")					
- Medium	4	550 (288)	160 (71)	8-11	5-7
- Well	4	550 (288)	170 (77)	11-13	8-10

OVEN USE

FOOD AND THICKNESS	RACK POSITION	BROIL SETTING °F (°C)	INTERNAL TEMP. °F (°C)	TIME SIDE 1 (MIN.)*	TIME SIDE 2 (MIN.)*
Poultry					
• Chicken Quarters	4	450 (232)	180 (82)	16-18	10-13
• Chicken Halves	3	450 (232)	180 (82)	25-27	15-18
• Chicken Breasts	4	450 (232)	170 (77)	13-15	9-13
Pork					
• Pork Chops (1 ¹ / ₄ " or more)	4	450 (232)	160 (71)	12-14	11-13
• Sausage - fresh	4	450 (232)	160 (71)	4-6	3-5

* Broiling and convection broiling times are approximate and may vary slightly. Cooking times are indicative and also depend on the thickness and the starting temperature of the meat before cooking.

DEHYDRATE TIPS

The circulating heated air at a lower temperature slowly removes the moisture for food preservation.

- Oven temperature for dehydrating is between 120°F (49°C) to 160°F (71°C).
- Multiple racks can be used simultaneously.
- Some foods require as much as 14-15 hours of time to fully dehydrate.
- Consult a food preservation book for specific times and the handling of various foods.
- This mode is suitable for a variety of fruits, vegetables, herbs and meat strips.
- Drying screens can be purchased at specialty kitchen shops.
- By using paper towels, some food moisture can be absorbed before dehydrating begins (such as with sliced tomatoes or sliced peaches).

DEHYDRATE CHART

FOOD	PREPARATION	APPROXIMATE DRYING TIME (HRS)	TEST FOR DONENESS
Fruit			
• Apple	Dipped in ¹ / ₄ cup lemon juice and 2 cups water, ¹ / ₄ slices	11-15	Slightly pliable
• Bananas	Dipped in ¹ / ₄ cup lemon juice and 2 cups water, ¹ / ₄ slices	11-15	Slightly pliable
• Cherries	Wash and towel dry. For fresh cherries, remove pits	10-15	Pliable, leathery, chewy
• Oranges Peels and slices	¹ / ₄ slices of orange; orange part of skin thinly peeled from oranges	Peels 2-4 Slices: 12-16	Orange peel: dry and brittle Orange slices: skins are dry and brittle, fruit is slightly moist
• Pineapple rings	Towel dried	Canned: 9-13 Fresh: 8-12	Soft and pliable
• Strawberries	Wash and towel dry. Sliced ¹ / ₂ " thick, skin (outside) down on rack	12-17	Dry, brittle
Vegetable			
• Peppers	Wash and towel dry. Remove membrane of pepper, coarsely chopped about 1" pieces	16-20	Leathery with no moisture inside
• Mushrooms	Wash and towel dry. Cut of stem end. Cut into ¹ / ₈ " slices	7-12	Tough and leathery, dry
• Tomatoes	Wash and towel dry. Cut this slices, ¹ / ₈ " thick, dry well	16-23	Dry, brick red color
Herbs			
• Oregano, sage parsley and thyme, and fennel	Rinse and dry with paper towel	Dry at 120°F (60°C) 3-5 hrs	Crisp and brittle
• Basil	Use basil leaves 3 to 4 inches from top. Spray with water, shake off moisture and pat dry	Dry at 120°F (60°C) 3-5 hrs	Crisp and brittle

OVEN USE

BROIL TIPS

- Place rack in the required position needed before turning on the oven.
- Use Broil mode with the oven door closed.
- Preheat oven for 5 minutes before use.
- Use the 2-piece broil pan.
- Turn meats once halfway through the cooking time (see convection broil chart).

BROIL CHART

FOOD AND THICKNESS	RACK POSITION	BROIL SETTING	INTERNAL TEMP. °F (°C)	TIME SIDE 1 (MIN.)*	TIME SIDE 2 (MIN.)*
Beef					
• Steak (3/4"-1")					
- Medium rare	5	5	145 (63)	5-7	4-6
- Medium	5	5	160 (71)	6-8	5-7
- Well	5	5	170 (77)	8-10	7-9
• Hamburgers (3/4"-1")					
- Medium	4	5	160 (71)	8-11	6-9
- Well	4	5	170 (77)	10-13	8-10
Poultry					
• Breast (bone-in)	4	4	170 (77)	10-12	8-10
• Thigh (very well done)	4	3	180 (82)	28-30	13-15
Pork					
• Pork Chops (1")	5	5	160 (71)	7-9	5-7
• Sausage - fresh	5	5	160 (71)	5-7	3-5
• Ham Slice (1/2")	5	5	160 (71)	4-6	3-5
Seafood					
• Fish Filets, 1" - buttered	4	4	Cook until opaque & flakes easily with fork	10-14	Do not turn
Lamb					
• Chops (1")					
- Medium rare	5	5	145 (63)	5-7	4-6
- Medium	5	5	160 (71)	6-8	4-6
- Well	5	5	170 (77)	7-9	5-7
Bread					
• Garlic Bread, 1" slices	4	5		2-2,30	
• Garlic Bread, 1" slices	3	5		4-6	

* Broiling and convection broiling times are approximate and may vary slightly
Cooking times are indicative and also depend on the thickness and the starting temperature of the meat before cooking .

OVEN USE

FOOD SERVICE TEMPERATURE GUIDELINES FROM FSIS (USDA FOOD SAFETY & INSPECTION SERVICE)

140°F (60°C)	Ham, precooked (to Reheat)
145°F (63°C)	Fresh beef, Veal, Lamb (medium rare)
160°F (71°C)	Ground Meat & Meat mixtures (Beef, Pork, Veal Lamb)
	Fresh beef, Veal, Lamb (medium)
	Fresh Pork (medium)
	Fresh Ham (raw)
	Egg Dishes
165°F (74°C)	Ground Meat & Meat mixtures (Turkey, Chicken)
	Stuffing (cooked alone or in bird) Leftovers & Casseroles

170°F (77°C)	Fresh beef, Veal, Lamb (well done)
	Poultry breast Fresh Pork (well done)
180°F (82°C)	Chicken and Turkey (Whole)
	Poultry (thighs and wings)
	Duck and Goose

NOTE: Eggs (alone, not used in a recipe) – cook until yolk & white are firm

Meat Thermometer

On models without a temperature probe, use a meat thermometer to determine whether meat, poultry and fish are cooked to the desired degree of doneness. The internal temperature, not appearance, should be used to determine doneness.

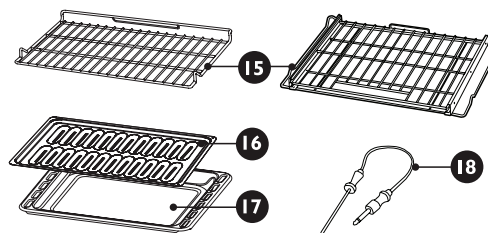
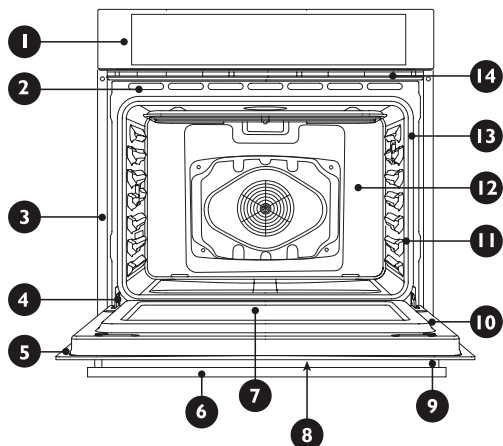
OVEN CARE

GENERAL CLEANING

IMPORTANT: Before Cleaning, make sure all controls are off and the oven is cool. Always follow the instructions printed on the label of the cleaning products.

USING THE CLEANING CHART

- 1 Locate the number of the part to be cleaned in the following illustration.
- 2 Find the part name in the chart.
 - Use the cleaning method in the left column if the oven is black or white.
 - Use the cleaning method in the right column if the oven is stainless steel.
- 3 Match the letter with the cleaning method on following chart.



STAINLESS STEEL OVEN

PART	CLEANING METHOD
1 Control Panel	C-G
2 Door Cooling Vent	E
3 Side Trim	D
4 Bottom Trim	D
5 Door Frame	E
6 Door Handle	G
7 Interior Door Window	F
8 Door Front	C & G
9 End Caps	D
10 Interior Oven Door	E
11 Oven Front Frame	E
12 Oven Cavity	E
13 Door Gasket	B

OVEN CARE

PART	CLEANING METHOD
14 Oven Cooling Vents	D
15 Oven Rack (3 standard, 2 glide)	A
16 Broiler Pan Rack	E
17 Broiler Pan	E
18 Temperature Probe	A

OVEN FINISHES / CLEANING METHODS

The entire oven can be safely cleaned with a soapy sponge, rinsed and dried. If stubborn soil remains, follow the recommended cleaning methods below.

- Always use the mildest cleaner that will do the job.
- Rub metal finishes in the direction of the grain.
- Use clean, soft cloths, sponges or paper towels.
- Rinse thoroughly with a minimum of water so it does not drip into door slots.
- Dry to avoid water marks.


The cleaners listed below indicate types of products to use and are not being endorsed. Use all products according to package directions.

PART	CLEANING METHOD
A Chrome Plated	Wash with hot sudsy water. Rinse thoroughly and dry. Or, gently rub with Soft Scrub®, Bon-Ami®, Comet®, Ajax®, Brillo® or S.O.S.® pads as directed. Easy Off® or Dow® Oven Cleaners (cold oven formula) can be used, but may cause darkening and discoloration. Racks may be cleaned in the oven during the Self-Cleaning mode. However, chromed racks will lose their shiny finish and permanently change to a metallic gray.
B Fiberglass Knit	DO NOT HAND CLEAN GASKET.
C Glass	Spray Windex® or Glass Plus® onto a cloth first, then wipe to clean. Use Fantastik® or Formula 409® to remove grease spatters.
D Painted	Clean with hot sudsy water or apply Fantastik® or Formula 409® first to a clean sponge or paper towel and wipe clean. Avoid using powdered cleansers and steel wool pads.
E Porcelain	Immediately wipe up acidic spills like fruit juice, milk and tomatoes with a dry towel. Do not use a moistened sponge/towel on hot porcelain. When cool, clean with hot sudsy water or apply Bon-Ami® or Soft Scrub® to a damp sponge. Rinse and dry. For stubborn stains, gently use Brillo® or S.O.S.® pads. It is normal for porcelain to craze (fine lines) with age due to exposure from heat and food soil.

PART	CLEANING METHOD
F Reflective Glass	Clean with hot sudsy water and sponge or plastic scrubber. Rub stubborn stains with vinegar, Windex®, ammonia or Bon-Ami® DO NOT USE HARSH ABRASIVES.
G Stainless	Always wipe or rub with grain. Clean with a soapy sponge then rinse and dry. Or, wipe with Fantastik® or Formula 409® sprayed onto a paper towel. Protect and polish with Stainless Steel Magic® and a soft cloth. Remove water spots with a cloth dampened with white vinegar. Use Zud®, Cameo®, Bar Keeper's Friend® or RevereWare Stainless Steel Cleaner®, to remove heat discoloration.

AUTOMATIC SELF-CLEANING

⚠ WARNING



BURN HAZARD

Do not touch the oven during the Self-Cleaning cycle.
Keep children away from oven during Self-Cleaning cycle.
Failure to do so can result in burns.

This oven features a self-cleaning function that eliminates the need to manually scrub the oven interior. During self-cleaning, the oven uses very high temperatures, burning soil to a powdery ash.

IMPORTANT: The health of some birds is extremely sensitive to the fumes given off during the Self-Cleaning cycle. Exposure to the fumes may result in death to certain birds. Always move birds to another closed and well-ventilated room.

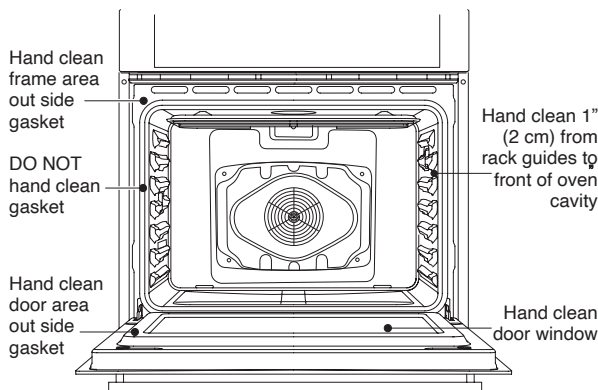
- Keep the kitchen well ventilated during the Self-Cleaning cycle to help get rid of heat, odors and smoke.
- It is common to see smoke and/or an occasional flame-up during the Self-Clean cycle, depending on the content and amount of soil remaining in the oven. If a flame persists, turn off the oven and allow it to cool before opening the door to wipe up the excessive food soil.
- Do not block the oven vent(s) during the Self-Cleaning cycle. Air must be able to move freely. See "Oven Vents" on page 14.
- Do not clean, rub, damage or move the oven door gasket.
- The door latch is automatically activated after selecting the Self-Clean cycle. "AUTO LOCK" will appear in the display. This ensures that the oven door cannot be opened while the oven interior is at clean temperatures.
- The oven is preset for a 2.5 hour clean cycle; however, the time can be changed. Suggested clean times are 2 hours for light soil and between 3.0 hours and 3.5 hours for average to heavy soil.

- Clean mode stops automatically at the end of the set cleaning time.
- When the oven heat drops to a safe temperature, the automatic door lock will release and the door can be opened.
- The oven light does not operate during Clean mode.

BEFORE SELF-CLEANING

- 1 Remove all utensils and bakeware.
- 2 Remove non-porcelain oven racks. If chromed racks are left in the oven during the self-clean cycle, they will permanently lose the shiny finish and change to a dull dark finish. See “Oven Finishes/Cleaning Methods” for proper care on page 24.
- 3 Wipe up any soft soil spills and grease with paper towels. Excess grease will cause flames and smoke inside the oven during self-cleaning.
- 4 Be sure oven interior lights are turned off and the light bulbs and lens covers are in place.
- 5 Some areas of the oven such as the oven door edge, oven door window, oven front frame and up to 1 1/2" (2-3 cm) inside the frame do not get hot enough during the cleaning cycle for soil to burn away and must be cleaned by hand. BEFORE the cycle begins, clean oven interior using a soapy sponge or plastic scrubber and a solution of detergent and hot water. Rinse and dry all areas thoroughly.

NOTE: Do not rub the oven door gasket.



SELF-CLEAN CYCLE

A minimum 24-hour wait is recommended between cleaning cycles.

TO SELF-CLEAN:

- 1 Close the oven door.
- 2 Press 1 for upper oven or 2 for lower oven.
- 3 Press SELF CLEAN. “REMOVE RACKS” will appear in the selected oven text area of the display.
- 4 “2:00 3:00 3:30” will appear in the display.
- 5 Use the number keypad to select the clean level. Select 1-3.
- 6 If you want to delay the start of the self-cleaning cycle, press START TIME, and then set a time, by pressing the number keypad. The oven door will remain locked if the oven cavity is above a safe temperature and will unlock when the oven cavity has cooled.

7 Press START.

After the door is locked, “SELF CLEAN” will appear in the selected text area until the clean cycle is finished. When the Self-clean Cycle Ends: “COMPLETE” appears in the display and the oven door unlocks.

NOTE: SELF CLEAN can be canceled by pressing STOP/CLEAR. The oven door will remain locked if the oven cavity is above a safe temperature and will unlock when the oven cavity has cooled.

- 8 Once the oven has completely cooled, remove ash with a damp cloth.

NOTE: To avoid breaking the glass, do not apply a cool, damp cloth to the inner door glass before it has cooled completely.

OVEN DOOR REMOVAL

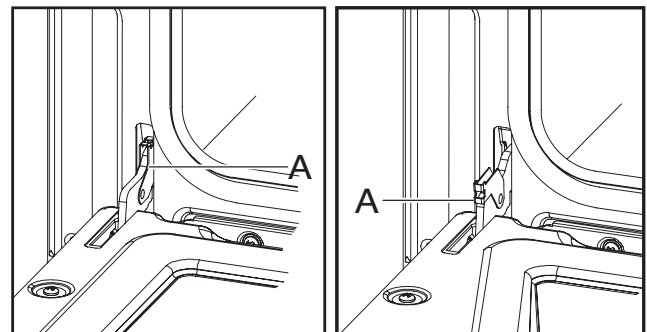
For normal oven use, there is no need to remove the oven door. However, should it become necessary to remove the door, follow the instructions in this section.

IMPORTANT:

- Make sure oven is cool and that power to the oven has been turned off before removing the door.
- The oven door is heavy and fragile, and the door front is glass. To avoid oven door glass breakage, use both hands, and grasp only the sides of the oven door to remove. Do not grasp the handle.
- Be sure both levers are securely in place before removing the door.
- Do not force door open or closed.

TO REMOVE THE OVEN DOOR:

- 1 Open the door completely.
- 2 Flip up the hinge latch on each side.



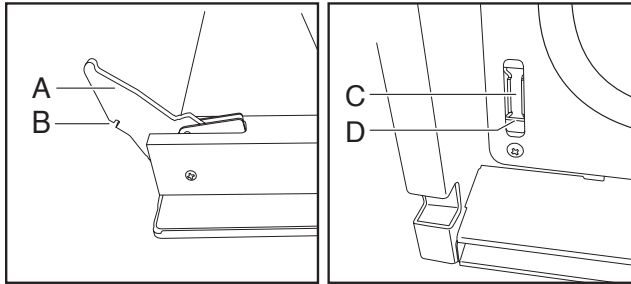
A - Hinge Bracket

- 3 Holding the door firmly, close the oven door completely.
- 4 Grasping both sides lift up on the oven door while pushing it closed, and then pull it away from the door frame.
- 5 Place the door in a protected location.

OVEN CARE

TO REPLACE THE OVEN DOOR:

- 1 Holding the door firmly, insert the upper arms of both hinges into the slots. The recesses must hook on the lips.



A - Upper Arm
B - Recess

C - Slots
D - Lip

- 2 Open the oven door.

NOTE: You should hear a “click” sound when the door is correctly in place.

- 3 Move the hinge latch on each side back into the locked position.
- 4 Open and close the door to test that it operates freely. If it does not, repeat the door removal and replacement process.
- 5 Close and open the door slowly to assure that it is correctly and securely in place.

REPLACING AN OVEN LIGHT

⚠ WARNING



Make sure the oven and lights are cool and power to the oven has been turned off before replacing the light bulb(s).

The lenses must be in place when using the oven. The lenses serve to protect the light bulb from breaking.

The lenses are made of glass. Handle carefully to avoid breakage.

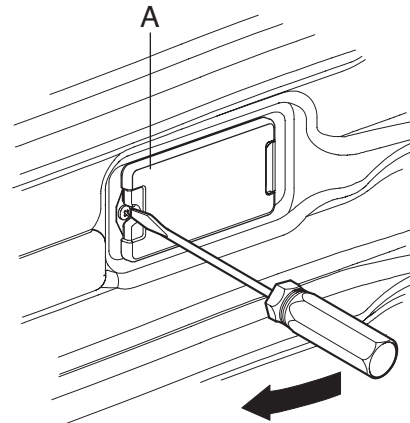
Failure to do so could result in death, electric shock, cuts or burns.

The oven light is a standard 25 watt (G9) appliance bulb.

IMPORTANT: Before replacing the bulb, make sure the oven is cool and the controls are turned off.

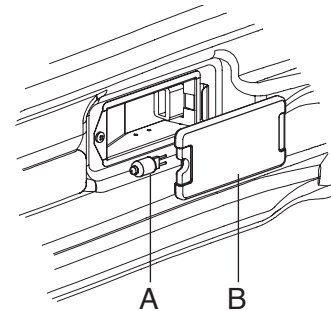
- 1 Disconnect power at the main power supply (fuse or breaker box).

- 2 Using a Phillips-head screwdriver, remove the screw, and then remove the cover.



A - Light Cover

- 3 Remove the burned out bulb from the socket.



A - Light Bulb
B - Light Cover

NOTE: To avoid damage or decreasing the life of the new bulb, do not touch bulb with bare fingers. Wear cotton gloves or use a tissue when replacing the light bulb.

- 4 Replace the bulb, and then replace the bulb cover.
- 5 Reconnect power at the main power supply (fuse or breaker box).

TROUBLESHOOTING

First try the solutions suggested here to possibly avoid the cost of a service call.

BAKING AND ROASTING

With either Bake or Convection Bake and Convection Roast poor results can occur for many reasons other than a malfunction of

the oven. Check the chart below for causes of the most common problems. Since the size, shape and material of baking utensils directly affect the baking results, the best solution may be to replace old baking utensils that have darkened and warped with age and use. Check the Baking Charts for the correct rack position and baking time.

BAKING PROBLEM	CAUSE
Food browns unevenly	<ul style="list-style-type: none"> • Oven not preheated • Aluminum foil on oven rack or oven bottom • Baking utensil too large for recipe • Pans touching each other or oven walls
Food too brown on bottom	<ul style="list-style-type: none"> • Oven not preheated • Using glass, dull or darkened metal pans • Incorrect rack position • Pans touching each other or oven walls
Food is dry or has shrunk excessively	<ul style="list-style-type: none"> • Oven temperature too high • Baking time too long • Oven door opened frequently • Pan size too large
Food is baking or roasting too slowly	<ul style="list-style-type: none"> • Oven temperature too low • Oven not preheated • Oven door opened frequently • Tightly sealed with aluminum foil • Pan size too small
Pie crusts do not brown on bottom or crust is soggy	<ul style="list-style-type: none"> • Baking time not long enough • Using shiny steel pans • Incorrect rack position • Oven temperature is too low
Cakes pale, flat and may not be done inside	<ul style="list-style-type: none"> • Oven temperature too low • Incorrect baking time • Cake tested too soon • Oven door opened too often • Pan size may be too large
Cakes high in middle with crack on top	<ul style="list-style-type: none"> • Oven temperature too high • Baking time too long • Pans touching each other or oven walls • Incorrect rack position • Pan size too small
Pie crust edges too brown	<ul style="list-style-type: none"> • Oven temperature too high • Edges of crust too thin

OPERATION

PROBLEM	POSSIBLE CAUSE	SOLUTION
F03 or F04 Error appears in the display window.	A problem with latch mechanism occurred.	Turn off power at the main power supply (fuse or breaker box), wait a few seconds and turn it back on again. The oven should run a latch auto-test. If condition persists, note the code number and call an authorized service center.
Other F_ Error appears in the display window.		Turn off power at the main power supply (fuse or breaker box), wait a few seconds and turn it back on again. If condition persists, note the code number and call an authorized service center.

TROUBLESHOOTING

PROBLEM	POSSIBLE CAUSE	SOLUTION
The oven display does not illuminate.		Turn off power at the main power supply (fuse or breaker box). Turn breaker back on. If condition persists, call an authorized service center.
Cooling fan continues to run after oven is turned off.	The oven components have not cooled sufficiently.	The fan turns off automatically when the electronic components have cooled sufficiently.
Oven door is locked and will not release, even after cooling.		Turn the oven off at the circuit breaker and wait a few seconds. Turn breaker back on. The oven should reset itself and will be operable.
Oven is not heating.	No power going to the oven.	Turn on power at the main power supply (fuse or circuit breaker box). If condition persists, call a qualified electrician.
	Oven Mode or Temperature not selected.	Press cooking option on keypad to select the oven mode and temperature.
Oven is not cooking evenly	Oven rack is not in correct position.	Refer to cook charts starting on page 18 for for recommended rack position.
	Convection Bake Mode	Always reduce recipe temperature by 25°F (15 °C) when baking with Convention Bake mode.
Oven light is not working properly.	Light bulb is loose or burned out.	Replace or reinsert the light bulb if loose or defective. Touching the bulb with fingers may cause the bulb to burn out.
Oven light stays on.	Oven door does not close completely.	Check for obstruction in oven door. Check to see if hinge is bent or door switch is broken.
Cannot remove lens cover on light.	Lens cover is dirty.	There may be a soil build-up around the lens cover. Wipe lens cover area with a clean dry towel prior to attempting to remove the lens cover.
Oven will not Self- Clean properly.	Oven was still warm when Cleaning mode was selected.	Allow the oven to cool before running Self-Cleaning.
	Oven is heavily soiled.	Always wipe out loose soils or heavy spillover before running Self-Cleaning. See OVEN FINISHES/CLEAN METHODS on page 24
		If oven is badly soiled, set oven for a 4-hour Self-Cleaning.
Clock and timer are not working properly.	No power going to the oven.	Turn on power at the main power supply persists, call an authorized service center.
	Clock or Timer not set correctly.	See Timer on page 10 and Clock on page 11
Excessive moisture	Oven was not properly preheated.	When using bake mode, preheat the oven first. Convection Bake and Convection Roast will eliminate any moisture in oven (one of the advantages of convection).
Porcelain chips	Oven racks removed and replaced incorrectly.	When oven racks are removed and replaced, always tilt racks upward and do not force them to avoid chipping the porcelain.

SHARP®

SHARP ELECTRONICS CORPORATION • 100 Paragon Drive • Montvale, New Jersey 07645 • USA

SHARP ELECTRONICS OF CANADA LTD • 335 Britannia Road East • Mississauga, Ontario • L4Z 1W9 • Canada

FOUR MURAL DOUBLE DE 30 PO

MODÈLE : SWB3052DS, SWB3062GS



ASSISTANCE À LA CLIENTÈLE	2	GÉNÉRAL	11
GARANTIE LIMITÉE DU CONSOMMATEUR AU CANADA.....	3	COMMANDE DE LA TEMPÉRATURE DU FOUR	13
SÉCURITÉ DU FOUR	4	MODES DU FOUR	13
CARACTÉRISTIQUES DE VOTRE FOUR	7	CONVECTION (FOUR SUPÉRIEUR UNIQUEMENT).....	15
TABEAU DE COMMANDE.....	8	CONSEILS ET TECHNIQUES DE CUISSON	17
COMMANDES D'ACTIVATION DES MODES DU FOUR -		CONSEILS DE CONVECTION	17
FOUR SUPÉRIEUR : BAKE, BROIL, CONVEC, WARM.....	8	ALIMENTS RECOMMANDÉS POUR LE MODE CONVECTION	
AFFICHAGE	8	EUROPÉENNE :	18
START (MISE EN MARCHÉ)	8	CONSEILS DE CUISSON À CONVECTION.....	19
VERROUILLAGE DU TABLEAU DE COMMANDE.....	8	CONSEILS ET TECHNIQUES POUR LE GRIL À CONVECTION	20
STOP/CLEAR (ARRÊT/REMISE À ZÉRO)	8	CONSEILS ET TECHNIQUES DE DÉSHYDRATATION	20
LIGHT (LAMPE)	8	CONSEILS DE GRIL	21
TIMER (MINUTERIE).....	8	GUIDE DE TEMPÉRATURE DE SERVICE DE LA FSIS (SERVICE	
COOK TIME (DURÉE DE CUISSON)	9	D'INSPECTION ET SÉCURITÉ DES ALIMENTS USDA)	22
START TIME (HEURE DE DÉMARRAGE)	9	ENTRETIEN DU FOUR	23
SETTINGS (RÉGLAGES).....	9	NETTOYAGE GÉNÉRAL	23
SELF-CLEAN (AUTONETTOYAGE).....	11	AUTONETTOYAGE AUTOMATIQUE.....	24
LUMINOSITÉ.....	11	RETRAIT DE LA PORTE DU FOUR.....	25
ÉTALONNAGE.....	11	REPLACEMENT D'UNE AMPOULE DU FOUR	26
MODE DE DÉMONSTRATION	11	DÉPANNAGE	27
UTILISATION DU FOUR	11	CUISSON ET RÔTISSAGE.....	27
AVANT D'UTILISER LE FOUR.....	11	FONCTIONNEMENT.....	28

IMPORTANTES CONSIGNES DE SÉCURITÉ

Lisez attentivement les informations importantes concernant l'installation, la sécurité et la maintenance.

Conservez ces instructions pour référence future.

Four mural double de 30 po : modèles SWB3052DS, SWB3062GS

ASSISTANCE À LA CLIENTÈLE CANADA SEULEMENT

Pour nous aider à répondre aux questions lorsque vous appelez pour obtenir du service ou signaler une perte ou un vol, utilisez l'espace ci-dessous pour consigner le modèle et le numéro de série situés derrière l'appareil.

Numéro de modèle : _____

Numéro de série : _____

Date d'achat : _____

Nom du détaillant : _____

Adresse : _____

Ville : _____

Province : _____

Code postal : _____

Téléphone : _____

SOUTIEN TECHNIQUE

Si vous avez des questions au sujet de la configuration ou du fonctionnement de votre produit, veuillez consulter la section pertinente dans ce manuel.

Vous pouvez également visiter le www.sharp.ca pour accéder à du contenu exclusif sur votre produit, notamment pour :

- Trouver un détaillant
- Trouver des points de service
- Télécharger notamment le Guide d'installation, la Fiche technique et le Manuel de l'utilisateur

CONTACTEZ-NOUS

Si, à tout moment, vous avez des questions ou commentaires concernant votre produit SHARP, veuillez contacter le Centre d'assistance à la clientèle SHARP. Nous pouvons vous fournir de l'assistance par divers moyens de communication, pour mieux vous servir :



COURRIEL

Tous les jours, 24 heures sur 24

Consultez la section Contactez-nous sur notre site.

<https://sharp.ca/contact-sharp>



SITE DE SOUTIEN

Téléchargements de produits, Localisateur de service, Où acheter, Programme de recyclage de toner et plus encore.

CA | www.sharp.ca



APPELEZ-NOUS

CA **877-278-6709**
De lundi au vendredi :
de 8 h à 17 h est
(sauf les jours fériés)

Contactez un conseiller Sharp par téléphone

SHARP®

GARANTIE LIMITÉE DU CONSOMMATEUR AU CANADA

Félicitations pour votre achat!

Sharp "Électronique du Canada ltée (« Sharp ») garantit à l'acquéreur initial de ce produit de marque Sharp (« Le Produit »), lorsqu'il est expédié dans son emballage d'origine et vendu ou distribué au Canada par Sharp ou par un concessionnaire autorisé Sharp, et que le Produit n'a pas été vendu « en l'état » ou « fin de série » pendant la période de garantie applicable, qu'il sera exempt de tout défaut matériel et de fabrication et, au cours de la période de garantie applicable, Sharp réparera le produit défectueux ou fournira à l'acquéreur initial un remplacement du produit défectueux.

Cette garantie ne s'applique ni aux aspects décoratifs du produit, ni aux cas exclus plus bas, ni à tout produit dont l'extérieur aura été endommagé ou détérioré, qui aura été soumis à une tension inadéquate ou à tout autre mauvais usage, ou dépannage anormal, dont la conception ou la construction aura été altérée ou modifiée, ou dont le numéro de série ou le numéro de modèle apposé sur le produit aura été enlevé, modifié, altéré ou falsifié.

Dépannage sous garantie : Si ce produit Sharp tombe en panne pendant la période de garantie, la réparation sera assurée par un centre de dépannage agréé Sharp ou par un concessionnaire agréé Sharp. Le service de garantie sur place sera effectué dans des endroits accessibles par un véhicule de service routier dans un rayon de 50 km d'un centre de service agréé Sharp. L'agent dépanneur peut, le cas échéant, procéder à la réparation de l'appareil dans ses locaux. Personne (y compris un concessionnaire ou un centre de dépannage Sharp) n'est autorisé à offrir, élargir ou transférer cette garantie au nom de Sharp.

Les garanties expresses de cette garantie limitée sont, sauf pour les acheteurs domiciliés au Québec, en lieu et place de et, sauf interdiction légale, Sharp renonce à toute autre garantie, expresse ou implicite, découlant de la loi, par le biais de transactions ou d'utilisations commerciales, y compris, mais sans s'y limiter, des garanties implicites ou des conditions de qualité marchande et/ou de qualité, d'adéquation à un usage ou à un usage particulier, et/ou de non-contrefaçon. Restrictions (ne s'applique pas aux acheteur-consommateurs domiciliés au Québec dans la mesure où la loi du Québec l'interdit): (a) Sharp ne saurait être tenu responsable des dommages accessoires, spéciaux, consécutifs, économiques, exemplaires ou indirects de quelque nature que ce soit (y compris les pertes en profits ou en dommages pour pertes de temps ou pertes d'usage ou pertes de données) émanant de ou en rapport avec l'utilisation ou la performance d'un produit ou la défaillance d'un produit, même si Sharp est au courant ou a été informé de la possibilité de tels dommages; (b) les actions décrites dans cette garantie limitée constituent l'exercice complet de toutes les obligations et responsabilités de Sharp envers l'acheteur relativement au produit et constituent la pleine satisfaction de toutes les réclamations, que ce soit par rapport aux termes du contrat, pour négligence, en stricte responsabilité ou autres. Certaines provinces peuvent ne pas autoriser l'exclusion ou la limitation de certains dommages ou des limites relatives à la durée ou à l'annulation de garanties ou de conditions implicites. Dans ces provinces, les exclusions et les limites peuvent ne pas s'appliquer. Cette garantie limitée est, sauf pour les acheteur-consommateurs domiciliés au Québec, régie par les lois de la province du Canada dans laquelle l'acheteur a acheté le produit. Pour les acheteur domiciliés au Québec, cette garantie limitée est régie par les lois du Québec.

Modèle & numéro du modèle de votre description du produit : SWA3052DS, SWB3052DS, SWA3062GS, SWB3062GS ou fours encastrés à usage domestique. (Assurez-vous de disposer des informations suivantes en cas de dépannage.)

Période de garantie pour ce produit : Un (1) an pour les pièces et la main-d'œuvre, y compris le dépannage sur place. Le produit doit être accessible pour pouvoir être dépanné.

Article(s) supplémentaire(s) exclu(s) de la couverture de la garantie (le cas échéant) : Accessoires non fonctionnels, ampoules électriques. Appels à votre domicile en vue de vous expliquer l'utilisation de votre four encastré, de remplacer ou réparer les fusibles de la maison ou modifier le câblage de la maison, utilisation commerciale inappropriée, installation ou maintenance, dommages causés au produit lors de la livraison, par accident, modifications, dégâts dus au feu, aux inondations ou aux catastrophes naturelles.

Pour obtenir le nom et l'adresse du centre de service Sharp agréé ou du concessionnaire Sharp le plus proche, veuillez contacter :

Sharp Électronique du Canada ltée
335, rue Britannia Est
Mississauga, Ontario
L4Z 1W9
905 568-7140
Site Web: www.sharp.ca

CETTE GARANTIE LIMITÉE N'EST VALABLE QU'AU CANADA

SÉCURITÉ DE DE FOUR

Votre sécurité et celle des autres est très importante.

Nous fournissons de nombreux messages de sécurité importants dans ce manuel et sur votre appareil ménager. Assurez-vous de toujours lire tous les messages de sécurité et de vous y conformer.



Voici le symbole d'alerte de sécurité.

Ce symbole d'alerte de sécurité vous signale les dangers potentiels de décès et de blessures graves à vous et à d'autres. Tous les messages de sécurité suivront le symbole d'alerte de sécurité et le mot "DANGER", "AVERTISSEMENT" ou "ATTENTION".

DANGER

Situation de danger imminent. Vous courez le risque d'un décès ou de blessures graves si vous ne suivez pas immédiatement les instructions.

AVERTISSEMENT

Situation potentiellement dangereuse qui, si vous ne l'évitez pas, peut provoquer la mort ou des blessures graves.

ATTENTION

Situation potentiellement dangereuse qui, si vous ne l'évitez pas, peut entraîner des blessures légères à modérées.

Tous les messages de sécurité vous diront quel est le danger potentiel et comment réduire le risque de blessure et ce qui peut se produire en cas de non-respect des instructions.

AVERTISSEMENTS POUR L'INSTALLATION ÉLECTRIQUE

AVERTISSEMENT



RISQUE DE CHOC ÉLECTRIQUE

L'installation et les opérations de dépannage doivent être effectuées par un installateur qualifié ou par une agence de réparation.

L'alimentation des modèles peut être de 240 V ou de 208 V.

Toujours déconnecter la source de courant avant toute intervention sur l'appareil.

L'appareil doit être correctement relié à la terre.

Le non-respect de ces instructions pourrait causer un décès ou une blessure grave.

IMPORTANTES INSTRUCTIONS DE SÉCURITÉ

LISEZ TOUTES LES INSTRUCTIONS AVANT UTILISATION

AVERTISSEMENT Afin de réduire le risque d'incendie, de choc électrique, de blessures corporelles ou de dommage lors de l'utilisation du four, il convient d'observer certaines précautions fondamentales, notamment :

INSTALLATION CORRECTE

- 1 Cet appareil doit être correctement installé et relié à la terre par un technicien qualifié. Brancher sur une prise correctement reliée à la terre uniquement. Voir les "Instructions de mise à la terre" incluses dans les instructions d'installation.
- 2 Seul un technicien qualifié est habilité à effectuer une intervention d'entretien sur cet appareil. Contacter le centre de service agréé le plus proche pour examen, réparation ou réglage.
- 3 Ne pas réparer ou remplacer une pièce quelconque du four sans recommandation spécifique. Confier les interventions d'entretien à un réparateur agréé.
- 4 Ne pas utiliser cet appareil s'il ne fonctionne pas correctement ou s'il a été endommagé, jusqu'à ce qu'il soit examiné par un réparateur agréé.
- 5 N'installer et ne choisir l'emplacement de cet appareil qu'en conformité avec les instructions d'installation.
- 6 Utiliser cet appareil uniquement selon les modalités d'utilisation prévues par le fabricant. Pour toute question, contacter le fabricant.
- 7 Ne pas couvrir ou obstruer toute ouverture de cet appareil.
- 8 Utiliser cet appareil uniquement dans le but auquel il est destiné et tel que décrit dans le présent manuel d'utilisation. Ne pas utiliser de produits chimiques corrosifs ou dégagant des vapeurs, ou encore des produits non alimentaires dans cet appareil. Ce type de four est spécialement conçu pour chauffer ou cuire des aliments. Il n'est pas conçu pour une utilisation à des fins industrielles ou en laboratoire. L'utilisation de produits chimiques corrosifs durant le chauffage ou le nettoyage endommagera l'appareil.

POUR RÉDUIRE LE RISQUE D'INCENDIE DANS LA CAVITÉ DU FOUR :

- 1 Ne pas remiser de matériaux inflammables dans le four ou à proximité.
- 2 Ne pas utiliser d'eau sur un incendie de graisse. Éteindre le feu ou utiliser un extincteur polyvalent avec agent chimique sec ou mousseux.
- 3 Il est fortement recommandé de prévoir un extincteur à portée de main et mis en évidence près de tout appareil de cuisson.

- 4 Ne pas faire cuire les aliments excessivement. Surveiller attentivement le four si du papier, du plastique ou d'autres matériaux combustibles sont placés à l'intérieur du four.
- 5 Ne pas utiliser la cavité du four pour remisage. Ne pas laisser de produits en papier, d'ustensiles de cuisson ou d'aliments dans la cavité lorsque le four n'est pas utilisé.
- 6 Si des matériaux à l'intérieur du four s'enflammaient, garder la porte du four fermée. Éteindre le four et déconnecter le circuit dans le boîtier de disjoncteurs.
- 7 S'assurer que le ventilateur est en marche chaque fois que le four est en cours d'utilisation. Si le ventilateur ne fonctionne pas, ne pas utiliser le four. Appeler un centre de service agréé.
- 8 Ne jamais utiliser le four pour réchauffer ou chauffer une pièce. Cela peut endommager les composants du four.

SÉCURITÉ PERSONNELLE :

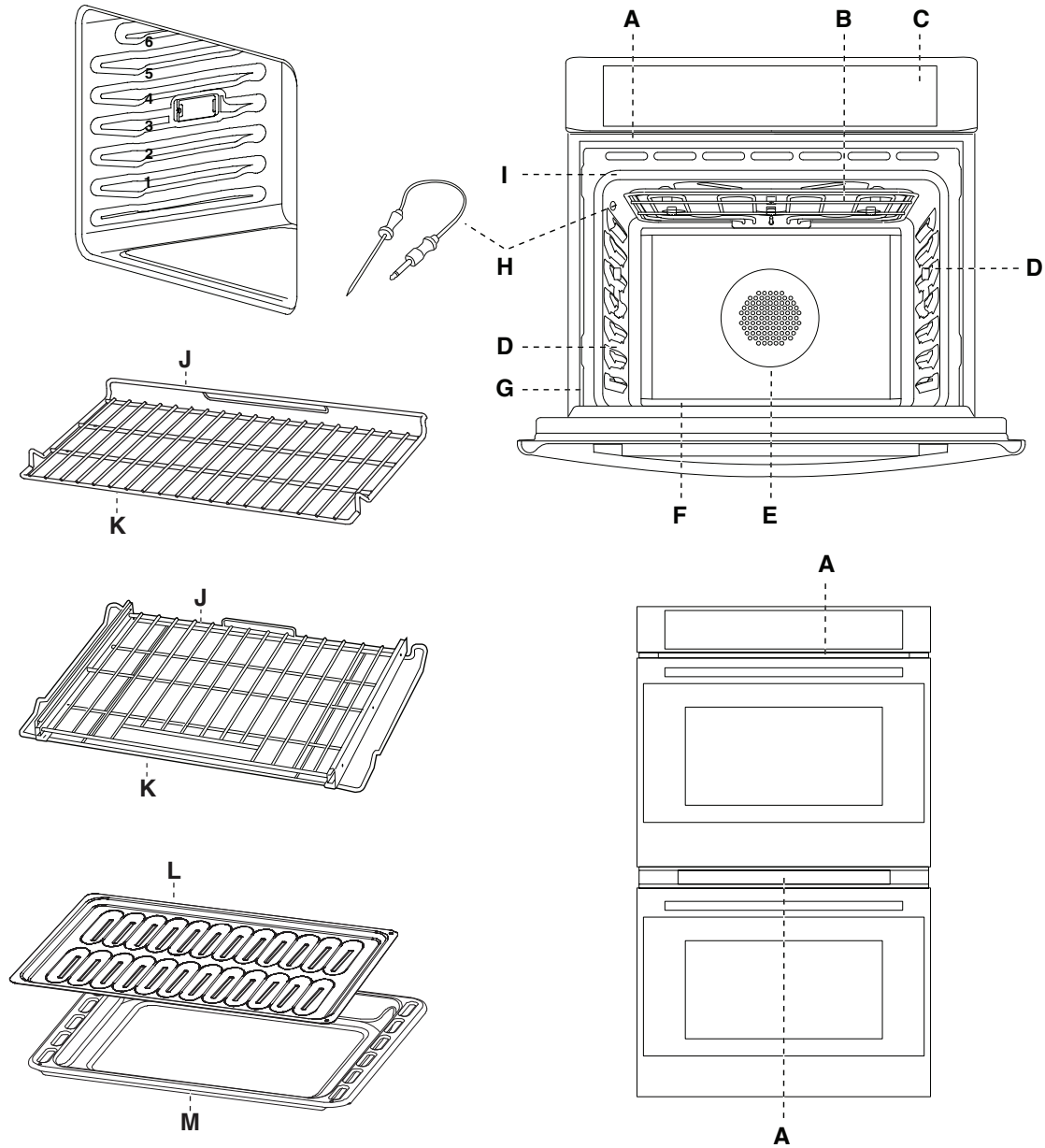
- 1 Ne pas laisser les enfants utiliser cet appareil à moins qu'ils ne se trouvent sous la stricte surveillance d'un adulte. Les enfants et les animaux de compagnie ne doivent pas être laissés seuls ou sans surveillance dans la pièce où l'appareil est utilisé. Ne pas laisser les enfants s'asseoir ou se tenir debout sur une partie quelconque du four.
- 2 Ne pas entreposer des objets pouvant intéresser les enfants au-dessus du four. Si les enfants grimpaient sur l'appareil pour attraper ces objets, ils pourraient se blesser gravement.
- 3 Pour votre sécurité personnelle, porter des vêtements appropriés. Ne jamais porter de vêtements non ajustés ou avec des manches pendantes lors de l'utilisation de l'appareil.
- 4 Attacher les cheveux longs de manière à ce qu'ils ne pendent pas.
- 5 Ne pas toucher les éléments chauffants ou les surfaces intérieures du four.
- 6 Les éléments chauffants peuvent être chauds bien qu'ils soient de couleur sombre. Les surfaces intérieures du four peuvent devenir suffisamment chaudes pour provoquer des brûlures.
- 7 Pendant et après l'utilisation, ne pas toucher ou laisser des vêtements ou d'autres matériaux inflammables en contact avec les éléments chauffants ou les surfaces intérieures tant qu'elles n'ont pas suffisamment refroidi.

IMPORTANTES INSTRUCTIONS DE SÉCURITÉ

- 8 L'encadrement supérieur et latéral de la porte du four peut devenir suffisamment chaud pour provoquer des brûlures.
 - 9 Ouvrir la porte avec précaution. Entrouvrir la porte pour laisser s'échapper l'air chaud ou la vapeur avant de retirer ou de rePlacer des aliments.
 - 10 Ne pas chauffer des contenants alimentaires fermés. La pression accumulée pourrait faire éclater le contenant et provoquer des blessures.
 - 11 Toujours Placer les grilles du four à la position souhaitée lorsque le four est froid. Si l'on doit déPlacer une grille pendant que le four est chaud, ne pas laisser la mitaine de four entrer en contact avec les éléments chauffants brûlants.
 - 12 Utiliser uniquement des mitaines de four sèches. Utiliser des mitaines de four humides ou trempées pour manipuler des ustensiles de cuisson chauds peut entraîner des brûlures dues à la vapeur. Ne pas laisser les mitaines toucher des éléments chauffants brûlants. Ne pas utiliser un chiffon ou tout autre tissu encombrant.
- SÉCURITÉ DU FOUR EN MODE D'AUTONETTOYAGE :**
- 1 Avant de lancer le programme d'autonettoyage du four, retirer la lèchefrite, les grilles du four (uniquement si elles ne sont pas en porcelaine), les autres ustensiles et l'excès de renversements mous.
 - 2 Confirmer que la porte se verrouille et ne s'ouvrira pas une fois que les deux sélecteurs sont en position CLEAN (nettoyage) et que l'icône de verrouillage de la porte s'affiche. Si la porte ne se verrouille pas, tourner le sélecteur de mode de cuisson sur OFF (éteint) et ne pas lancer le programme d'autonettoyage. Effectuer un appel de service.
 - 3 Ne pas nettoyer le joint de la porte. Celui-ci est essentiel pour une bonne étanchéité. Des précautions devraient être prises pour ne pas frotter, endommager, déPlacer ou retirer le joint de la porte.
 - 4 Ne pas utiliser de nettoyant à four commercial ou tout type de revêtement de protection intérieur de four dans le four ou autour de ses composants.
 - 5 Nettoyer uniquement les composants du four énumérés dans ce manuel.
 - 6 Les autres surfaces de l'appareil peuvent devenir suffisamment chaudes pour entraîner des brûlures (identification des surfaces : par exemple, les ouvertures d'évacuation du four et les surfaces adjacentes à ces ouvertures, les portes de four et les hublots des portes de four).

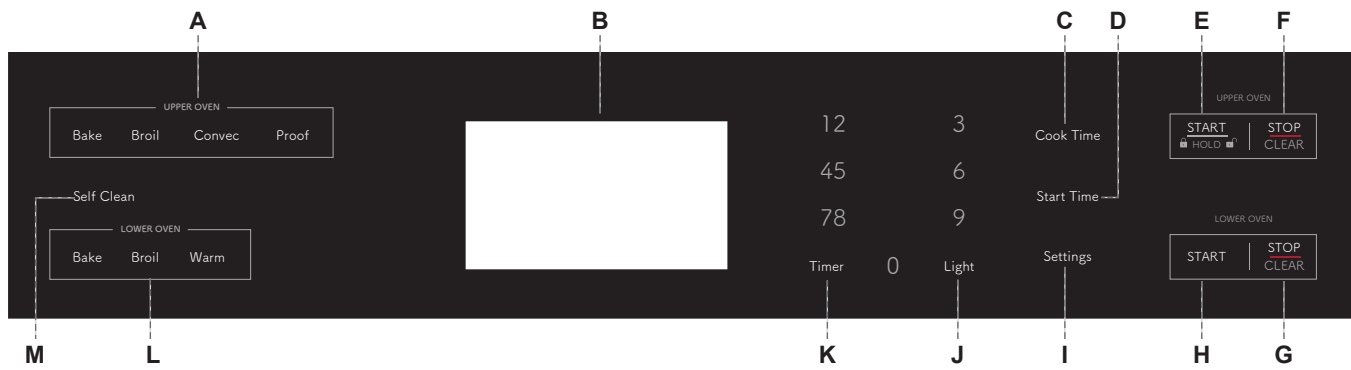
LIRE ET CONSERVER CES INSTRUCTIONS

CARACTÉRISTIQUES DE VOTRE FOUR



- A** Évent du four
- B** Élément de gril
- C** Panneau de contrôle
- D** Ampoule halogène
- E** Ventilateur à convection et élément
- F** Élément de cuisson (non visible)
- G** Plaque de modèle et numéro de série
- H** Sonde thermique (four supérieur seulement)
- I** Joint de porte
- J** Arrière de la grille du four
(3 grilles standard, 2 grilles coulissante)
- K** Devant de la grille du four
- L** Grilles de plat du gril
- M** Grilles de plat du gril

TABLEAU DE COMMANDE



- A Commandes du four supérieur
- B Affichage
- C Durée de cuisson
- D Heure de démarrage
- E Mise en marche du four supérieur
- F STOP/CLEAR (Arrêt/Remise à zéro du four supérieur)
- G STOP/CLEAR (Arrêt/Remise à zéro du four inférieur)

- H Mise en marche du four inférieur
- I Réglages
- J Lampe
- K Minuterie
- L Commandes du four inférieur
- M Autonettoyage

COMMANDES DU MODE DU FOUR - FOUR SUPÉRIEUR : BAKE, BROIL, CONVEC, PROOF FOUR INFÉRIEUR : BAKE, BROIL, WARM

Selon le four que vous Utilisez, Sélectionner parmi les modes Bake (cuisson au four), Broil (cuisson au grill), Convection (cuisson par convection), Warm (maintien au chaud) et Proof (levée).

AFFICHAGE

Lors de la mise sous tension initiale du four ou si une panne de courant se produit, "12:00" s'affiche.

Voir la section "Horloge" ci-après pour des instructions permettant de régler l'heure. Lorsque le four n'est pas en marche, l'heure est affichée.

START (MISE EN MARCHÉ)

La commande Start (mise en marche) active n'importe quelle fonction du four.

VERROUILLAGE DU TABLEAU DE COMMANDE

Le tableau de commande du four peut être verrouillé afin d'éviter l'utilisation involontaire du four.

REMARQUES :

- Les commandes ne peuvent pas être verrouillées si le four est en cours d'utilisation ou si la fonction Cook Time (durée de cuisson) est activée.
- L'heure actuelle reste affichée lorsque les commandes sont verrouillées.

VERROUILLAGE DU TABLEAU DE COMMANDE :

- Appuyer sur START/HOLD (mise en marche) pendant 3 secondes ou jusqu'à ce que (commandes verrouillées) s'affiche. (commandes verrouillées) reste affiché.

DÉVERROUILLAGE DU TABLEAU DE COMMANDE :

- Appuyer sur START/HOLD (mise en marche) pendant 3 secondes ou jusqu'à ce que (commandes verrouillées) disparaisse.

STOP/CLEAR (ARRÊT/REMISE À ZÉRO)

La touche STOP/CLEAR désactive toutes les fonctions à l'exception de la durée de cuisson et du verrouillage du tableau de commande.

LIGHT (LAMPE)

Les lampes du four s'allument et s'éteignent automatiquement lorsque la porte du four est ouverte et fermée.

- Lorsque la porte du four est fermée, appuyer sur la touche LIGHT (lampe) pour allumer ou éteindre la lampe du four.

TIMER (MINUTERIE)

La minuterie peut être réglée en heures ou en minutes jusqu'à concurrence de 11 heures et 59 minutes.

RÉGLAGE DE LA MINUTERIE :

- 1 Appuyer sur TIMER (minuterie).
- 2 Appuyer sur les touches numériques pour entrer la durée en heures et en minutes.
- 3 Appuyer sur TIMER (minuterie) pour commencer le compte à rebours. S'il est activé, un signal sonore retentit à la fin du compte à rebours.

4 Appuyer sur **TIMER** (minuterie) pour annuler la minuterie et revenir à l'heure du jour.

REMARQUE : Ne pas appuyer sur la touche **STOP/CLEAR** (Arrêt/Remise à zéro), sinon le four s'éteindra.

COOK TIME (DURÉE DE CUISSON)

La fonction Cook Time (durée de cuisson) permet d'allumer le four à une certaine heure de la journée, d'effectuer une cuisson pendant une durée déterminée, puis d'éteindre le four automatiquement.

IMPORTANT : Avant de pouvoir régler une durée de cuisson, un mode du four doit avoir été sélectionné.

REMARQUES :

- La durée de cuisson peut être réglée en heures ou en minutes jusqu'à concurrence de 12 heures.
- Pour modifier cette durée en cours de cuisson, appuyer sur **STOP/CLEAR** (Arrêt/Remise à zéro). Entrer la nouvelle durée de cuisson, puis appuyer sur **START** (mise en marche).
- Une fois la durée de cuisson réglée écoulee, le four s'éteint automatiquement, le signal sonore de fin de programme retentit et "Complete" (terminée) s'affiche.

RÉGLAGE D'UNE DURÉE DE CUISSON :

- 1 Sélectionner le mode de cuisson.
- 2 Sélectionner la température.
- 3 Appuyer sur **COOK TIME** (durée de cuisson). Entrer la durée de cuisson souhaitée à l'aide du clavier numérique.
- 4 Appuyer sur **START** (mise en marche). Le four commence le préchauffage.

REMARQUES :

- La durée de cuisson est au format HR:MIN et passe au format MIN:SEC durant la dernière minute.
- Le signal sonore retentira jusqu'à ce que la fonction Cook Time (durée de cuisson) soit annulée.

START TIME (HEURE DE DÉMARRAGE)

Cette fonction permet de régler le four de sorte qu'il se mette en marche plus tard.

IMPORTANT : L'horloge doit être réglée à la bonne heure.

- 1 Sélectionner un mode du four.
- 2 Sélectionner la température.
- 3 Régler la durée de cuisson.
- 4 Appuyer sur **START TIME** (heure de démarrage).
- 5 Entrer la durée de cuisson souhaitée à l'aide du clavier numérique. "Press START" (appuyer sur "Mise en marche") s'affiche. Si aucune durée de cuisson n'a été programmée, le tableau de commande demande à l'utilisateur de régler une durée de cuisson ("Set Cook Time").

▲ AVERTISSEMENT

RISQUE D'INTOXICATION ALIMENTAIRE

Ne pas laisser d'aliments dans un four plus d'une heure avant ou après la cuisson.

Le non-respect de cette instruction peut causer une intoxication alimentaire ou une maladie.

6 Placer les aliments dans le four et fermer la porte du four.

7 Appuyer sur **START** (mise en marche). La fonction "Heure de démarrage" effectuera un compte à rebours jusqu'à ce que l'heure programmée soit atteinte.

REMARQUE : Une fois la durée de cuisson réglée écoulee, le four s'éteint automatiquement, le signal sonore de fin de cuisson retentit et "Complete" (terminée) s'affiche.

SETTINGS (RÉGLAGES)

La commande Settings (réglages) permet d'accéder au menu pour d'autres fonctions et caractéristiques.

- | | |
|------------------------------------|----------------------------|
| 1 Clock (Horloge) | 6 Language (Langue) |
| 2 Temp Unit (Unité de température) | 7 Sabbath (Sabbat) |
| 3 Sound (Son) | 8 Brightness (Luminosité) |
| 4 Sound Volume (Volume sonore) | 9 Calibration (Étalonnage) |
| 5 12/24 hour (12/24 heures) | 0 Demo Mode (Mode démo) |

- Appuyer sur **SETTINGS** (réglages) pour afficher les options du menu 1 à 6. Appuyer sur **START** (mise en marche) pour afficher les options 7 à 0.

CLOCK (HORLOGE)

L'horloge peut être réglée pour afficher l'heure selon un format de 12 heures ou de 24 heures. L'horloge est réglée à l'usine sur un format de 12 heures.

RÉGLAGE DE L'HORLOGE :

REMARQUE : Avant de procéder au réglage de l'horloge, s'assurer que le four est éteint et que la minuterie est désactivée.

- 1 Appuyer sur **SETTINGS** (réglages). Les diverses options s'affichent.
- 2 Appuyer sur 1 sur le clavier numérique. "Clock" (horloge) s'affiche.
- 3 Appuyer sur 1 pour alterner entre AM (heure du matin) et PM (heure de l'après-midi/soir). Appuyer sur les touches numériques pour régler l'heure.
- 4 Appuyer sur **SETTINGS** (réglages) pour valider; AM ou PM est réglé.
- 5 Appuyer sur le clavier numérique pour entrer l'heure du jour.
- 6 Appuyer sur **SETTINGS** (réglages) pour valider; l'heure est réglée.

TABLEAU DE COMMANDE

POUR FAIRE PASSER L'HORLOGE AU FORMAT DE 24 HEURES :

- 1 Appuyer sur SETTINGS (réglages). Les diverses options s'affichent.
- 2 Appuyer sur 5 sur le clavier numérique. "12/24 HOUR" (12/24 heures) et "12" s'affichent.
- 3 Appuyer sur la touche numérique 1 pour faire passer le réglage de 12/24 heures à 24 heures.
- 4 Appuyer sur SETTINGS (réglages) pour confirmer. Le réglage 12/24 heures est désormais modifié.

SIGNAUX SONORES

Les signaux sonores avertissent l'utilisateur de divers événements :

Nombre de signaux sonores : 1

- Sélection valide
- Saisie d'une fonction
- Four préchauffé

Nombre de signaux sonores : 2

- Appui sur une touche non valide

Nombre de signaux sonores : 3

- Fin de programme

Nombre de signaux sonores : 4

- Fin de la minuterie

ACTIVATION/DÉSACTIVATION DU SON :

Le son du four est préréglé à l'usine sur "Marche" mais peut être modifié et réglé sur "Arrêt".

- 1 Appuyer sur SETTINGS (réglages). Les diverses options s'affichent.
- 2 Appuyer sur 3 sur le clavier numérique. "SOUND" (son) et "ON" (activé) s'affichent
- 3 Appuyer sur 1 sur le clavier numérique. "ON/OFF" (activé/désactivé) s'affichent.
- 4 Appuyer sur la touche numérique 1 pour désactiver le son.
- 5 Appuyer sur SETTINGS (réglages) pour confirmer. Le son est désormais désactivé.
- 6 Appuyer sur SETTINGS (réglages), puis suivre les instructions à l'écran pour réactiver le son.

RÉGLAGE DU VOLUME SONORE :

Le volume sonore du four est préréglé à l'usine sur "Élevé" mais peut être modifié et réglé sur "Bas".

- 1 Appuyer sur SETTINGS (réglages). Les diverses options s'affichent.
- 2 Appuyer sur 4 sur le clavier numérique. "SOUND VOLUME" (volume sonore) et "HIGH" (élevé) s'affichent.
- 3 Appuyer sur 1 sur le clavier numérique. "HIGH/LOW" (élevé/bas) s'affiche.
- 4 Appuyer sur la touche numérique 1 pour régler le son au niveau "Bas".

- 5 Appuyer sur SETTINGS (réglages) pour confirmer. Le volume sonore est désormais modifié.
- 6 Appuyer sur SETTINGS (réglages), puis suivre les instructions à l'écran pour rétablir le réglage du son à "Élevé".

DEGRÉS FAHRENHEIT ET CELSIUS

Le tableau de commande est préréglé à l'usine pour afficher la température en degrés Fahrenheit, mais ce réglage peut être modifié pour un affichage en degrés Celsius.

Modifier l'affichage des degrés Fahrenheit en degrés Celsius :

- 1 Appuyer sur SETTINGS (réglages). Les diverses options s'affichent.
- 2 Appuyer sur 2 sur le clavier numérique. "TEMP UNIT" (unité de température) et "FAHRENHEIT" s'affichent.
- 3 Appuyer sur 1 sur le clavier numérique. "DEGREE F/C" (degrés F/C) s'affiche.
- 4 Appuyer sur la touche numérique 1 pour modifier l'unité de température en degrés Celsius.
- 5 Appuyer sur SETTINGS (réglages) pour confirmer. Les unités de température ont été modifiées.
- 6 Appuyer sur SETTINGS (réglages), puis suivre les instructions à l'écran pour revenir aux degrés Fahrenheit.

MODE SABBAT

REMARQUE : Le four est préréglé à l'usine avec le mode Sabbat désactivé.

ACTIVATION/DÉSACTIVATION DU MODE SABBAT :

- 1 S'assurer que le four est éteint et que la sonde de température n'est pas branchée.
REMARQUE : Le mode Sabbat ne peut pas être programmé lorsque le four est allumé. Le four ne reconnaîtra pas la sonde de température lorsque le mode Sabbat est activé.
- 2 Appuyer sur SETTINGS (réglages) > appuyer sur START (mise en marche) > appuyer sur "7", puis sur "1" pour alterner entre ON / OFF (activé/désactivé).
- 3 Appuyer de nouveau sur "SETTINGS" (réglages) pour activer le mode Sabbat. La seule fonction de cuisson fonctionnant avec le mode Sabbat activé est la fonction Bake (cuisson au four).

CUISSON AU FOUR AVEC LE MODE SABBAT ACTIVÉ :

- 1 Activez le mode Sabbat dans le menu SETTINGS (réglages).
- 2 Entrer la température du four souhaitée à l'aide du clavier numérique.
- 3 Après avoir sélectionné une température, il est alors possible de programmer une durée de cuisson et une heure de démarrage avant d'appuyer sur START (mise en marche). Voir les sections "Durée de cuisson" et "Heure de démarrage".
- 4 Appuyer sur START (mise en marche). Appuyer sur START (mise en marche) active le mode Sabbat.

TABLEAU DE COMMANDE

SEULE LA FONCTION STOP/CLEAR EST OPÉRATIONNELLE.

- Appuyer deux fois sur STOP/CLEAR pour quitter le mode Sabbat et rétablir un fonctionnement normal du four. L'affichage de l'heure est rétabli.

REMARQUE : Si le four est en mode Sabbat et qu'une panne de courant se produit, le four quittera alors le mode Sabbat et recommencera à fonctionner en mode normal une fois le courant rétabli.

LANGUE

La langue est pré-réglée à l'usine sur l'anglais.

SELF-CLEAN (AUTONETTOYAGE)

Active la fonction d'autonettoyage. Voir la section "Entretien du four" à la page 22.

LUMINOSITÉ

- 1 Appuyer sur SETTINGS et appuyer sur START pour aller à la page suivante.
- 2 Appuyer sur 8 sur le clavier numérique. "BRIGHTNESS" et "HIGH" apparaissent sur l'affichage.

3 Appuyer sur 1 pour basculer entre HIGH / LOW.

4 Appuyer sur SETTINGS pour confirmer.

ÉTALONNAGE

Voir "Commande de la température du four" à la page 13.

LE MODE DE DÉMONSTRATION

1 Appuyer sur SETTINGS et appuyer sur START pour aller à la page suivante.

2 Appuyer sur 0 sur le clavier numérique. "DEMO MODE" et "OFF" apparaissent sur l'affichage.

3 Appuyer sur 1 pour basculer entre ON / OFF.

4 Appuyer sur SETTINGS pour confirmer.

REMARQUE : Le four ne chauffe pas en mode DEMO. L'affichage décompte rapidement.

UTILISATION DU FOUR

AVANT D'UTILISER LE FOUR

- 1 Sélectionner le mode de cuisson "Bake".
- 2 Régler la température à 500 ° F.
- 3 Laisser le four fonctionner pendant 30 minutes, cavité vide et porte fermée.

REMARQUE : Toute odeur pouvant être décelée durant la première utilisation est due à l'évaporation des substances utilisées pour protéger le four pendant l'entreposage.

- 4 Éteindre le four et le laisser refroidir.

GÉNÉRAL

IMPORTANT : Ne Placer aucun objet (notamment des plats, de l'aluminium et des plaques de cuisson) dans le fond du four lorsque celui-ci fonctionne pour éviter d'endommager l'émail.

- 1 Placer le ou les ustensile(s) de cuisson contenant les aliments sur l'une ou les deux grilles fournies avec le four.
- 2 Appuyer sur la commande de mode du four pour sélectionner la fonction du four désirée.
- 3 Utiliser le clavier numérique pour entrer la température du four.
- 4 Appuyer sur START (mise en marche).

PRÉCHAUFFAGE DU FOUR

- Préchauffer le four pour les modes de Cuisson, Convection, Cuisson au four et Cuisson à convection.
- Sélectionner une température plus élevée ne réduit pas le temps de préchauffage.
- Le préchauffage est nécessaire pour de bons résultats lorsque vous cuisinez des gâteaux, des biscuits, des pâtisseries et du pain.

- Le préchauffage aidera à saisir les rôtis et à garder la viande juteuse.
- Placer les grilles de four dans leur position appropriée avant le préchauffage.
- Pendant le préchauffage, la température de cuisson choisie est toujours affichée.
- Un signal va confirmer que le four est préchauffé et l'écriture "PREHEAT" s'éteindra.

SUGGESTIONS D'UTILISATION

- Utiliser les tableaux de cuisson comme guide.
- Ne pas poser les plats sur la porte ouverte.
- Utiliser la lumière intérieure du four pour voir la nourriture à travers la fenêtre de la porte du four plutôt que d'ouvrir la porte fréquemment.

SONDE THERMIQUE

▲ AVERTISSEMENT



RISQUE DE BRÛLURES

Utiliser des mitaines de four pour retirer la sonde thermométrique.

Ne pas toucher l'élément du grill.

Le non-respect de ces instructions peut causer des brûlures.

UTILISATION DU FOUR

La sonde thermique contrôle la température interne des aliments. Elle est souvent utilisée en tant qu'indicateur du degré de cuisson tout particulièrement pour les viandes et la volaille, puis éteint le four lorsque la température interne des aliments a atteint la température programmée. La sonde thermique fonctionne avec tous les modes du four à l'exception des modes Warm/Proof (maintien au chaud/levée), Sabbath (Sabbat) et Self-Clean (autonettoyage).

IMPORTANT : Toujours débrancher et retirer la sonde thermique du four lorsqu'on retire les aliments.

UTILISATION DE LA SONDE THERMIQUE :

1 Insérer la sonde dans l'aliment.

REMARQUE : Pour les viandes, la pointe de la sonde doit être insérée au cœur de la partie la plus épaisse de la viande. S'assurer que cette pointe n'est pas insérée dans du gras et qu'elle ne touche pas un os.

2 Placer les aliments dans le four. En gardant la sonde thermique aussi loin que possible d'une source de chaleur, brancher la sonde dans la prise du four. Fermer la porte du four.

3 Sélectionner le mode du four.

4 Régler la température du four à l'aide des touches du clavier numérique.

5 Appuyer sur START (mise en marche). La température du four réglée reste affichée pendant toute la cuisson.

6 Régler la température interne souhaitée des aliments au moyen des touches du clavier numérique, puis appuyer de nouveau sur START (mise en marche).

REMARQUES :

- La température interne des aliments peut être réglée entre 110 °F et 200 °F (43 °C et 93 °C).
 - Lorsque la température réglée de la sonde est atteinte, le four s'éteint automatiquement.
- 7 Appuyer sur STOP/CLEAR (Arrêt/Remise à zéro) une fois la cuisson terminée. Débrancher la sonde thermique et retirer les aliments du four.

REMARQUE : L'icône de la sonde restera illuminée jusqu'à ce que la sonde soit débranchée.

USTENSILES

- Les plats de cuisson en verre absorbent la chaleur. Réduire la température du four de 15 °C (25 °F) lors de la cuisson dans un plat en verre.
- Utiliser des casseroles qui permettent d'obtenir le brunissage désiré. Le type de fini de la casserole vous aidera à déterminer le niveau de brunissage que vous obtiendrez.
 - Le métal lisse et brillant et les casseroles légères anti-adhésives anodisés reflètent de la chaleur, entraînant un brunissage léger et plus délicat. Les gâteaux et les biscuits nécessitent ce type d'article.
 - Les casseroles foncées, lourdes ou mates absorberont la chaleur permettant d'obtenir des croûtes bien dorées et croustillantes. Utiliser ce type d'assiettes pour les tartes.
- Ne pas faire cuire d'aliments avec une lèche-frite vide dans le

four, puisque ceci pourrait changer le rendement de cuisson. Ranger la lèche-frite à l'extérieur du four.

CUISSON À HAUTE ALTITUDE

Lorsque vous cuisinez à haute altitude, les recettes et les durées de cuisson varient de la norme.

GRILLES DE FOUR

IMPORTANT : Afin d'éviter des dommages permanents au fini en porcelaine, Placer les aliments ou les ustensiles de cuisson sur une grille de four. Ne pas Placer des aliments ou des ustensiles de cuisson directement sur la porte du four ou le fond du four.

- Les grilles de four peuvent être positionnées à n'importe laquelle des six hauteurs du four.
- Placer les grilles avant d'allumer le four.
- S'assurer que les grilles du four sont de niveau.
- Les grilles de four sont équipées d'une butée pour empêcher leur retrait complet accidentel.

POUR ENLEVER LES GRILLES:

- Tirer la grille jusqu'à la butée d'arrêt, soulever le rebord avant et la tirer pour l'extraire.

POUR REMPLACER UNE GRILLE:

- Placer la grille de four sur les supports en métal positionnés le long des parois latérales du four. Incliner légèrement le bord avant et faire glisser la grille vers l'arrière jusqu'à ce qu'elle arrive à la butée d'arrêt. Abaisser l'avant et faire glisser la grille dans le four.

VENTILATEUR DE REFROIDISSEMENT

S'active durant le mode d'autonettoyage ou de cuisson pour refroidir les composants internes et les surfaces externes de la porte. L'air est évacué par l'évent situé au-dessus de la porte du four. Le ventilateur de refroidissement continue de fonctionner jusqu'à ce que les composants soient suffisamment refroidis. Ce ventilateur fonctionne à double vitesse (ou trs/min) en mode d'autonettoyage et quand la température des composants internes devient élevée.

VITRE DE LA PORTE DU FOUR

Pour éviter de briser la vitre de la porte du four :

- Ne pas fermer la porte du four si les grilles ne sont pas complètement insérées dans la cavité du four ou lorsque les ustensiles de cuisson dépassent à l'avant d'une grille du four.
- Ne pas entreposer d'objets sur la vitre de la porte du four.
- Ne pas frapper la vitre avec des ustensiles de cuisson ou d'autres objets.
- Ne pas essuyer les vitres avant que le four n'ait complètement refroidi.

ÉVÉNEMENTS DU FOUR

Le fait d'obstruer ou de couvrir les événements du four résulte sur une mauvaise circulation de l'air, ce qui affecte les résultats de cuisson, de nettoyage et de refroidissement.

- Le(s) éven(t)s des fours inférieur et supérieur permet(tent) à l'air frais de pénétrer dans le système de refroidissement.
- L'évent du four inférieur permet également à l'air chaud d'être expulsé du système de refroidissement.

CONDENSATION DU FOUR ET TEMPÉRATURE

- Il est normal qu'une certaine quantité d'humidité s'évapore des aliments pendant la cuisson. La quantité dépend de l'humidité contenue dans la nourriture.
- L'humidité peut se condenser sur toute surface plus froide que l'intérieur du four, comme le tableau de commande.
- Votre nouveau four a un capteur électronique de température qui permet de maintenir soigneusement la température sélectionnée. Votre ancien four devait avoir un thermostat mécanique qui passait graduellement à une température plus élevée. Il est normal que vous ayez à ajuster vos recettes préférées en cuisinant dans un nouveau four.

COMMANDE DE LA TEMPÉRATURE DU FOUR

Le four fournit des températures précises; toutefois, il peut cuire plus rapidement ou plus lentement que votre ancien four, c'est pourquoi le calibrage de la température peut être ajusté. Il peut être modifié en degrés Fahrenheit ou Celsius.

Un signe moins signifie que le four sera plus froid du nombre de degrés affiché. L'absence de signe moins signifie que le four sera plus chaud du nombre de degrés affiché.

Utiliser le tableau suivant comme guide.

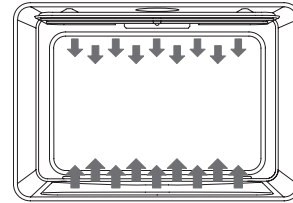
AJUSTMENT EN °F (AJUSTEMENT EN °C)	CUIT LES ALIMENTS
10°F (6°C)	un peu plus
20°F (12°C)	modérément plus
30°F (17°C)	beaucoup plus
-10°F (-6°C)	un peu moins
-20°F (-12°C)	modérément moins
-30°F (-17°C)	beaucoup moins

AJUSTEMENT DU CALIBRAGE DE LA TEMPÉRATURE DU FOUR :

- 1 Appuyer sur SETTINGS (réglages). Les diverses options s'affichent.
- 2 Appuyer sur la touche "9" du clavier numérique. "CALIBRATION" (calibrage) et "PRESS 3 TO INCREASE/ PRESS 6 TO DECREASE" (Appuyer sur "3" pour augmenter / appuyer sur "6" pour diminuer) défilent sur l'affichage.
- 3 Appuyer sur la touche numérique "3" pour augmenter la température ou sur la touche numérique "6" pour la diminuer par tranches de 5 °F (3 °C). L'ajustement peut être réglé entre 30 °F (18 °C) et - 30 °F (- 18 °C).
- 4 Appuyer sur SETTINGS (réglages) pour enregistrer le réglage et quitter le menu de calibrage de la température.

MODES DE FOUR

Les illustrations montrent les éléments chauffants et les ventilateurs utilisés pour chaque mode du four.



REMARQUE : L'élément inférieur est dissimulé sous le fond du four.

BAKE (CUISSON AU FOUR)

La cuisson au four est une cuisson à l'air chauffé. Les éléments chauffants supérieur et inférieur du four sont utilisés pour chauffer l'air, mais aucun ventilateur n'est utilisé pour faire circuler la chaleur.

Suivre la recette ou les directives de l'aliment prêt-à-servir pour la température et durée de cuisson, ainsi que la position de la grille. La durée de cuisson varie selon la température des ingrédients, ainsi que leur taille et leur forme; elle varie également en fonction du revêtement de l'ustensile de cuisson.

- 1 Appuyer sur BAKE (cuisson au four) pour sélectionner le mode Bake (cuisson au four). "BAKE" (cuisson au four) et 350 °F (177 °C) s'affichent. "Set temp or Press START" (régler la température ou appuyer sur mise en marche) s'affiche.
- 2 Appuyer sur START (mise en marche) si une cuisson au four à 350 °F (177 °C) est désirée.

OU

Entrer la température désirée au moyen du clavier numérique, puis appuyer sur START (mise en marche). La température peut être réglée entre 170 °F (77 °C) et 500 °F (260 °C).

REMARQUES :

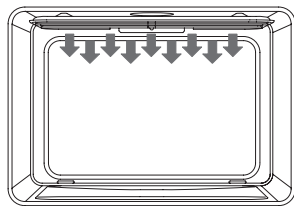
- La température peut être modifiée en tout temps en cours de cuisson. Appuyer sur STOP/CLEAR (Arrêt/Remise à zéro) pour effacer les réglages. Sélectionner un mode du four, puis entrer la température souhaitée au moyen du clavier numérique, puis appuyer sur START (mise en marche).
- Après avoir sélectionné un mode du four et une température, il est alors possible de programmer une durée de cuisson et une heure de démarrage avant d'appuyer sur START (mise en marche). Voir les sections "Durée de cuisson" et "Heure de démarrage".

- 3 Une fois la cuisson terminée, appuyer sur STOP/CLEAR (Arrêt/Remise à zéro) et retirer les aliments du four.

BROIL (GRIL)

La cuisson au gril utilise la chaleur radiante directe pour cuire les aliments. Plus la température est basse, plus la cuisson est lente. Les morceaux épais et de forme irrégulière de viande, de poisson et de volaille cuisent mieux à des températures de cuisson au gril plus basses.

UTILISATION DU FOUR



- Pour de meilleurs résultats, utiliser une lèchefrite avec une grille. Elle est conçue pour laisser s'écouler les jus et aider à éviter les éclaboussures et la fumée.
- Pour que l'écoulement puisse se faire correctement, ne pas recouvrir la grille de papier d'aluminium. Le fond de la lèchefrite peut être recouvert de papier d'aluminium pour en faciliter le nettoyage.
- Enlever l'excès de graisse pour réduire les éclaboussures. Entailler le gras résiduel sur les côtés pour éviter que la viande ne se recroqueville.
- Sélectionner la cuisson au gril HI/550 °F (288 °C) pour la plupart des cuissons au gril. Sélectionner une cuisson au gril au réglage LO (bas) à 450 °F (232 °C) pour la cuisson au gril à basse température d'aliments mettant plus de temps à cuire tels que la volaille, afin d'éviter une surcuisson.
- Sortir la grille jusqu'à la butée d'arrêt avant de tourner ou d'enlever les aliments. Utiliser une pince pour tourner les aliments et éviter la perte de jus. Il est possible qu'il ne soit pas nécessaire de tourner les coupes très minces de poisson, de volaille ou de viande.

CUISSON AU GRIL :

- 1 Placer l'aliment sur la grille de la lèchefrite, puis mettre le plat dans le four. Fermer la porte du four.

REMARQUE : Le préchauffage n'est pas nécessaire.

- 2 Appuyer sur BROIL (cuisson au gril) pour le four que l'on souhaite utiliser. "BROIL" (cuisson au gril), "Set temp or Press START" (Rég. temp. ou appuyer sur mise en marche) et "550 °F (288 °C)" s'affichent.
- 3 Appuyer sur START (mise en marche) si une cuisson au gril à 550 °F (288 °C) est désirée.

OU

Entrer la température souhaitée au moyen du clavier numérique, puis appuyer sur START (mise en marche). La température peut être réglée entre 450 °F (232 °C) et 550 °F (288 °C).

- 4 "BROIL" (cuisson au gril) s'affiche après avoir appuyé sur la touche START (mise en marche).

REMARQUES :

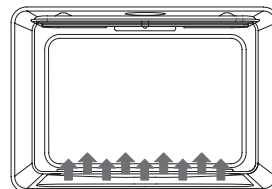
- La température peut être modifiée en tout temps en cours de cuisson. Appuyer sur STOP/CLEAR (Arrêt/Remise à zéro) pour effacer les réglages. Sélectionner un mode du four, puis entrer la température souhaitée au moyen du clavier numérique, puis appuyer sur START (mise en marche).
- Après avoir sélectionné un mode du four et une température, il est alors possible de programmer une durée de cuisson et une heure de démarrage avant d'appuyer sur START

(mise en marche). Voir les sections "Durée de cuisson" et "Heure de démarrage".

- 5 Une fois la cuisson au gril terminée, appuyer sur STOP/CLEAR (Arrêt/Remise à zéro) et retirer les aliments du four.

WARM (MAINTIEN AU CHAUD) - FOUR INFÉRIEUR

Le mode Warm (maintien au chaud) garde au chaud les aliments cuits, à la température de service.



⚠ AVERTISSEMENT

RISQUE D'INTOXICATION ALIMENTAIRE

Ne pas laisser d'aliments dans un four plus d'une heure avant ou après la cuisson.

Le non-respect de cette instruction peut causer une intoxication alimentaire ou une maladie.

IMPORTANT : Les aliments doivent être à la température de service avant d'être placés dans le four chaud. Les aliments peuvent être gardés au four jusqu'à 1 heure; toutefois, les pains et les mets en sauce risquent de trop sécher s'ils sont laissés dans le four durant le fonctionnement de la fonction Warm (maintien au chaud). Pour de meilleurs résultats, couvrir les aliments.

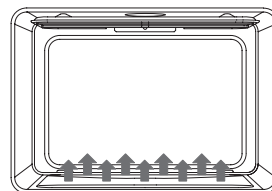
- 1 Appuyer sur la touche WARM (maintien au chaud). "Warm" (maintien au chaud) et "Set temp or Press START" (Rég. temp. ou appuyer sur mise en marche) et 140 °F (60 °C) s'affichent.
- 2 Utiliser le clavier numérique pour entrer la température souhaitée. La température peut être réglée entre 140 °F (60 °C) et 210 °F (99 °C).
- 3 Appuyer sur START (mise en marche). "WARM" (maintien au chaud) et la température réglée s'affichent.
- 4 Placer les aliments dans le four et fermer la porte.
- 5 Une fois le maintien au chaud terminé, appuyer sur STOP/CLEAR (Arrêt/Remise à zéro) et retirer les aliments du four.

ANNULATION DE LA FONCTION DE MAINTIEN AU CHAUD :

- Appuyer sur STOP/CLEAR" (Arrêt/Remise à zéro). Retirer les aliments du four.

PROOF (LEVÉE) - FOUR SUPÉRIEUR

Le mode Proof (levée) prépare la pâte pour la cuisson au four en activant la levure. Suivre les instructions de la recette comme guide.



⚠ AVERTISSEMENT

RISQUE D'INTOXICATION ALIMENTAIRE

Ne pas laisser d'aliments dans un four plus d'une heure avant ou après la cuisson.

Le non-respect de cette instruction peut causer une intoxication alimentaire ou une maladie.

- 1 Avant la levée, Placer la pâte dans un saladier légèrement graissé et couvrir sans serrer avec du papier ciré recouvert de shortening. Poser sur la deuxième grille en partant du bas, puis fermer la porte du four.
- 2 Appuyer sur PROOF (levée du pain). "PROOF" (levée) et "Set temp or Press START" (Rég. temp. ou appuyer sur mise en marche) et 100 °F (38 °C) s'affichent.
- 3 Utiliser le clavier numérique pour entrer la température désirée. La température peut être réglée entre 80 °F (27 °C) et 120 °F (49 °C).
- 4 Appuyer sur START (mise en marche).
- 5 Laisser la pâte lever jusqu'à ce qu'elle ait presque doublé de volume, en vérifiant après 20 à 25 minutes. La durée de levée peut varier en fonction du type de pâte et de la quantité.
- 6 Appuyer sur STOP/CLEAR (Arrêt/Remise à zéro) lorsque la levée est terminée.
- 7 Avant d'effectuer une seconde levée, mettre la pâte en forme, la Placer dans un ustensile de cuisson au four et couvrir sans serrer avec du film étirable, enduit d'aérosol de cuisson. Reprendre le même positionnement et vérifier que les étapes ci-dessus ont bien été suivies. Avant la cuisson au four, retirer le film.

CONVECTION (FOUR SUPÉRIEUR UNIQUEMENT)

Lors de la cuisson par convection, le ventilateur fait circuler l'air chaud de façon uniforme dans le four. Le déplacement de l'air chaud autour des aliments peut accélérer la cuisson par la pénétration des surfaces extérieures froides.

En mode convection, l'élément en anneau, les éléments de cuisson au four et au gril et le ventilateur sont tous sollicités pour chauffer la cavité du four. Si la porte du four est ouverte durant la cuisson par convection ou le préchauffage, le ventilateur s'éteint immédiatement et les éléments s'éteignent après 30 secondes. Les éléments se rallument une fois que la porte est fermée.

VENTILATEUR DE CONVECTION

Le ventilateur de convection fonctionne durant n'importe quel mode de convection. Lorsque le four fonctionne en mode de convection, le ventilateur s'éteint automatiquement lorsque la porte est ouverte. Le ventilateur de convection fonctionne toujours pendant la période de préchauffage.

AVANTAGES DE LA CUISSON PAR CONVECTION

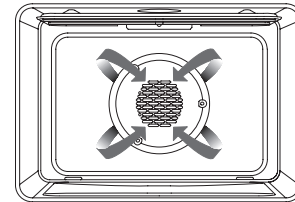
- Gain de temps et d'énergie.
- Permet de cuire, brunir et faire croustiller de façon homogène.
- Durant le rôtissage, les jus et les saveurs sont retenus à

l'intérieur tandis que l'extérieur est croustillant.

- Les pains à la levure sont plus légers, leur texture est plus homogène, ils sont plus dorés et plus croustillants.
- Les aliments soufflés tels que les choux à la crème, les soufflés et les meringues sont plus hauts et plus légers.
- Il est possible de cuire au four sur plusieurs grilles en même temps d'une manière homogène.
- Préparer des pièces de viande entières sans transfert de saveur.
- Déshydratation des herbes, des fruits et des légumes.
- Ne nécessite aucun ustensile de cuisson au four particulier.
- La cuisson au gril par convection offre une excellente cuisson au gril pour les morceaux d'aliments plus épais.

CUISSON AU FOUR PAR CONVECTION

Utiliser la fonction Convection Bake (cuisson au four par convection) pour la cuisson au four sur une ou plusieurs grilles. Lors de la cuisson au four par convection, réduire la température de cuisson au four de la recette de 25°F (15°C).



RÉGLAGE DE LA CUISSON AU FOUR PAR CONVECTION :

- 1 Appuyer sur CONVEC. "Convection" et "Press 1-4 To Choose" (Appuyer sur 1 à 4 pour choisir) s'affichent.
- 2 Appuyer sur "1" pour Convection Bake (cuisson au four par convection) sur l'écran du menu. "Set temp or Press START" (Rég. temp. ou appuyer sur mise en marche) et 325 °F (163 °C) s'affichent.
- 3 Appuyer sur START (mise en marche) si une cuisson au four par convection à 325 °F (163 °C) est désirée.

OU

Entrer la température souhaitée au moyen du clavier numérique, puis appuyer sur START (mise en marche). La température peut être réglée entre 170 °F (77 °C) et 500 °F (260 °C).

REMARQUE : Après avoir sélectionné un mode du four et une température, il est alors possible de programmer une durée de cuisson et une heure de démarrage avant d'appuyer sur START (mise en marche). Voir les sections "Durée de cuisson" et "Heure de démarrage".

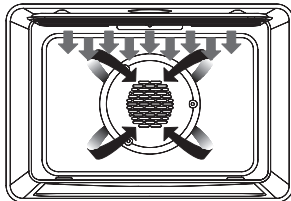
- 4 Le four commence par un préchauffage une fois la touche Start (mise en marche) actionnée. Un signal sonore retentit lorsque le four a atteint la température réglée.
- 5 Placer les aliments dans le four et fermer la porte du four une fois le préchauffage terminé.
- 6 Une fois la cuisson terminée, appuyer sur STOP/CLEAR (Arrêt/Remise à zéro) et retirer les aliments du four.

UTILISATION DU FOUR

CUISSON AU GRIL PAR CONVECTION

Pour la cuisson au gril par convection, entrer la température de cuisson au gril normale. La porte du four doit être fermée lorsqu'on utilise la fonction de cuisson au gril par convection.

Il n'est pas nécessaire de préchauffer le four pour la cuisson au gril par convection.



- 1 Placer les aliments dans le four et fermer la porte du four.
- 2 Appuyer sur CONVEC. "Convection" et "Press 1-4 To Choose" (Appuyer sur 1 à 4 pour choisir) s'affichent.
- 3 Appuyer sur "2" pour Convection Broil (cuisson au gril par convection) sur l'écran du menu. "Set temp or Press START" (Rég. temp. ou appuyer sur mise en marche) et 450 °F (232 °C) s'affichent.
- 4 Appuyer sur START (mise en marche) si une cuisson au gril à 450 °F (232 °C) est désirée.

OU

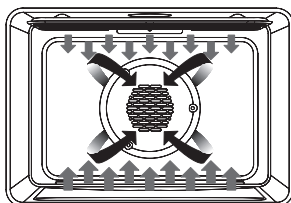
Entrer la température souhaitée au moyen du clavier numérique, puis appuyer sur START (mise en marche). La température peut être réglée entre 170 °F (77 °C) et 550 °F (288 °C).

REMARQUE : Après avoir sélectionné un mode du four et une température, il est alors possible de programmer une durée de cuisson et une heure de démarrage avant d'appuyer sur START (mise en marche). Voir les sections "Durée de cuisson" et "Heure de démarrage".

- 5 Après avoir appuyé sur Start (mise en marche), "Convection Broil" (cuisson au gril par convection) s'affiche.
- 6 Une fois la cuisson terminée, appuyer sur STOP/CLEAR (Arrêt/Remise à zéro) et retirer les aliments du four.

RÔTISSAGE PAR CONVECTION

Pour le rôtissage par convection, entrer la température de rôtissage normale. La durée de rôtissage doit être de 15 à 30 % inférieure à la durée d'une cuisson conventionnelle. Il n'est pas nécessaire de préchauffer le four pour le rôtissage par convection.



- 1 Placer les aliments dans le four et fermer la porte du four.
- 2 Appuyer sur CONVEC. "Convection" et "Press 1-4 To Choose" (Appuyer sur 1 à 4 pour choisir) s'affichent.
- 3 Appuyer sur "3" pour Convection Roast (rôtissage par convec-

tion) sur l'écran du menu. "Set temp or Press START" (Rég. temp. ou appuyer sur mise en marche) et 325 °F (163 °C) s'affichent.

- 4 Appuyer sur START (mise en marche) si un rôtissage par convection à 325 °F (163 °C) est désiré.

OU

Entrer la température désirée au moyen du clavier numérique, puis appuyer sur START (mise en marche). La température peut être réglée entre 170 °F (77 °C) et 500 °F (260 °C).

REMARQUE : Après avoir sélectionné un mode du four et une température, il est alors possible de programmer une durée de cuisson et une heure de démarrage avant d'appuyer sur START (mise en marche). Voir les sections "Durée de cuisson" et "Heure de démarrage".

- 5 Après avoir appuyé sur Start (mise en marche), "Convection Roast" (rôtissage par convection) s'affiche.

- 6 Une fois la cuisson terminée, appuyer sur STOP/CLEAR (Arrêt/Remise à zéro) et retirer les aliments du four.

CONVERSION À LA CONVECTION

CONVERSION À LA CONVECTION peut être utilisé pour convertir de la cuisson conventionnelle à la cuisson par convection. Cette fonction convertit automatiquement la température de cuisson et la durée de cuisson en réglages de cuisson recommandés.

En conséquence, la température de cuisson est plus basse et le temps de cuisson est plus court. Les options qui peuvent être sélectionnées comprennent MEATS (viandes), BAKED GOODS (pâtisseries) ou ALL OTHERS (toute autre).

REMARQUES :

- Pour utiliser le mode Convection Conversion (conversion à la convection), entrer la température et la durée de cuisson normales.
- La porte du four doit être fermée lorsqu'on utilise la fonction conversion à la convection.

VIANDES (SEULEMENT)

Il n'est pas nécessaire de préchauffer le four pour l'option MEATS (viandes) du mode Convection Conversion (conversion à la convection). Le préchauffage peut entraîner une surcuisson. Si un préchauffage est requis par la recette, ajouter 15 minutes à la durée de cuisson, et Placer les aliments dans le four au moment opportun.

- 1 Placer les aliments dans le four et fermer la porte du four.
- 2 Appuyer sur CONVEC. "Convection et appuyer sur 1-4 pour choisir" sera affiché.
- 3 Appuyer sur le numéro 4 du clavier. "Convection Convert et appuyer sur 1-3 pour choisir" sera affiché.
- 4 Appuyer sur le numéro 2 du clavier. "Viandes" et 350 °F (177 °C) seront affichés.
- 5 Entrer la température de cuisson normale en appuyant sur le pavé numérique.
- 6 Entrer le temps de cuisson normal. Voir "Cook Time", puis appuyer sur START.

PRODUITS DE BOULANGERIE ET TOUTE AUTRE (SEULEMENT)

- 1 Le préchauffage démarre. Une fois le four préchauffé à la température réglée, la commande émet un signal sonore. Placer les aliments dans le four et fermer la porte du four.
- 2 Lorsque la durée de cuisson réglée est écoulée, le four s'éteint automatiquement. Un signal sonore retentit et "Complete" (terminée) s'affiche.
- 3 Une fois la cuisson terminée, appuyer sur STOP/CLEAR (Arrêt/Remise à zéro) et retirer les aliments du four.

CONSEILS ET TECHNIQUES DE CUISSON

- Pour de meilleurs résultats, cuisiner les aliments, cuire sur une simple grille avec au moins 1" - 1½" (2,5 – 3 cm) d'espace entre les plats et les parois du four.
- N'utiliser qu'une grille lorsque vous choisissez le mode cuisson.

- Vérifier la cuisson au temps minimum.
- Utiliser des plats en métal (avec une finition antiadhésive ou non), en verre résistant à la chaleur, en verre céramique, en poterie ou d'autres plats appropriés au four.
- Lors de l'utilisation d'un plat en verre résistant à la chaleur, réduire la température de 25°F (15°C) par rapport à la température recommandée.
- Utiliser des plats avec ou sans bord.
- Des plats en métal foncé ou avec des finitions non adhésives cuiront plus vite en brunissant plus le met. Des plats isolés ralentiront légèrement le temps de cuisson dans la plupart des cas.
- Ne pas utiliser de feuille en aluminium ou de plateaux en aluminium. Une feuille est un excellent isolant de chaleur et donc la chaleur sera attrapée dessous. Cela altère la performance de cuisson et cela endommage la finition du four.
- Éviter de Placer des plats sur la porte ouverte.
- "Voir "Solution des problèmes de cuisson et rôtisserie."

TABLEAU DE CUISSON

ALIMENTS	POSITION DE GRILLE	TEMP. °F (°C) (FOUR PRÉCHAUFFE)	TEMPS (MIN)
Gâteau			
• Petits gâteaux	2	350 (177)	19-22
• Gâteau bundt	1	350 (177)	40-45
• Gâteau des anges	1	350 (177)	35-39
Tarte			
• 2 croûtes, fraîches, 9"	2	375-400 (190-205)	45-50
• 2 croûtes, fruits surgelés, 9"	2	375 (190)	68-78
Biscuit			
• Sucre	2	350-375 (177-190)	8-10
• Brisures de chocolat	2	350-375 (177-190)	8-13
• Carrés au chocolat (brownies)	2	350 (177)	29-36
Pains			
• Pain à levure, 9x5	2	375 (190)	18-22
• Petits pains à levure	2	375-400 (190-205)	12-15
• Biscuits	2	375-400 (190-205)	7-9
• Muffins	2	425 (220)	15-19
Pizza			
• Surgelée	2	400-450 (205-232)	23-26
• Fraîche	2	475 (246)	15-18

CONSEILS DE CONVECTION

Réduire les températures de recette de cuisson de 25°F (15°C).

- Pour de meilleurs résultats, il faut cuire les aliments non couverts, dans des plats à bord bas pour mieux profiter de la circulation d'air forcé. Utiliser des plats en aluminium brillant pour de meilleurs résultats à moins que cela soit spécifié autrement.
- Le verre résistant à la chaleur et la céramique peuvent être utilisés. Réduire encore la température de 25°F (15°C) si vous Utilisez un verre résistant à la chaleur, donc une réduction totale de 50°F (30°C).

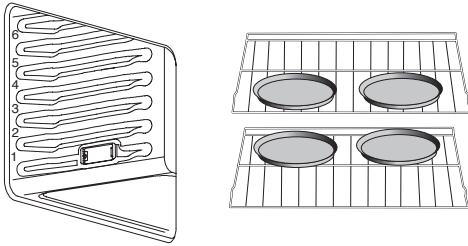
- Les plats en métal foncé peuvent être utilisés. Notez que la nourriture peut brunir plus vite lorsque vous Utilisez un plat en métal foncé.
- Le nombre de grilles utilisées est déterminé par la hauteur des aliments à cuire.
- Les aliments cuits, en général, cuisent extrêmement bien avec la convection. N'essayez pas de convertir des recettes comme les crèmes anglaises, les quiches, les tartes à la citrouille, les tartes au fromage, qui ne tirent pas de bénéfice de la convection. Utiliser le mode de cuisson normal pour ces recettes.
- Plusieurs grilles de cuisson sont disponibles aux positions

UTILISATION DU FOUR

1, 2, 3, 4 et 5. Les six grilles peuvent être utilisées pour des gâteaux, des biscuits et des biscuits apéritifs.

- 2 grilles de cuisson : Utiliser positions 1 et 3.

- Lorsque vous cuisez plusieurs gâteaux en même temps, distribuez les plats de telle façon qu'ils ne soient pas juste l'un au-dessus de l'autre. Pour de meilleurs résultats, Placer les gâteaux devant sur la grille du dessus et à l'arrière sur la grille du dessous (voir dessin à la page suivante). Laissez 1" - 1 ½" (2,5 - 3 cm).



- Convertir vos propres recettes peut être facile. Choisissez une recette qui marche bien en convection.
- Réduire la température et le temps de cuisson si nécessaire. Il peut parfois y avoir des essais et erreurs avant d'arriver au résultat parfait. Gardez des traces de votre technique pour la prochaine préparation à convection.
- Voir "Solution des problèmes de cuisson" à la page 27.

ALIMENTS RECOMMANDÉS POUR LE MODE CONVECTION EUROPÉENNE :

- Biscuits apéritifs biscuits pour café, gâteaux
- Biscuits (2 à 4 grilles) levure, pains
- Choux à la crème, Popovers
- Casseroles et entrées à un plat
- Plats à four (grille positions 1, 2, 3)
- Aliments levés à la levure (soufflés, meringue, desserts garnis de meringue, gâteaux ange, gâteaux mousseline)

TABLEAU DE CONVECTION

Réduisez la température standard des recettes de 25 °F (15 °C) pour la convection européenne.

Les températures ont été réduites dans ce tableau.

ALIMENTS	POSITION DE GRILLE	TEMP. °F (°C) (FOUR PRÉCHAUFFE)	TEMPS (MIN)
Gâteau			
• Petits gâteaux	2	325 (163)	20-22
• Gâteau bundt	1	325 (163)	43-50
• Gâteau des anges	1	325 (163)	43-47
Tarte			
• 2 croûtes, fraîches, 9"	2	350-400 (177-205)	40-52
• 2 croûtes, fruits surgelés, 9"	2	350 (177)	68-78
Biscuit			
• Sucre	2	325-350 (163-177)	9-12
• Brisures de chocolat	2	325-350 (163-177)	8-13
• Carrés au chocolat (brownies)	2	325 (163)	29-36
Pains			
• Pain à levure, 9x5	2	350 (177)	18-22
• Petits pains à levure	2	350-375 (177-190)	12-15
• Biscuits	2	375 (190)	8-10
• Muffins	2	400 (205)	17-21
Pizza			
• Surgelée	2	375-425 (190-220)	23-26
• Fraîche	2	450 (232)	15-18

CONSEILS DE CONVECTION CUISSON

- Ne pas préchauffer le rôtissage à convection.
- Rôtir dans un plat peu profond et non couvert.
- Lorsque vous rôtir des poulets entiers ou des dindes, groupez les ailes et attachez légèrement les pattes avec une ficelle de cuisine.
- Utiliser le plat de grill 2-pièces pour les rôtissages non-couverts.

- Utiliser la sonde ou le thermomètre pour déterminer la cuisson intérieure sur la température “END” (fin) (voir le tableau de cuisson).
- Vérifier de nouveau la température de la viande/volaille en insérant le thermomètre à viande dans une autre position.
- Les gros oiseaux doivent aussi être recouverts d’une feuille (et les plats rôtis) pendant une certaine durée de la cuisson pour empêcher que le plat ne soit brûlé.
- La température minimum de sécurité pour la farce dans la volaille est de 165 °F (74 °C).
- Après avoir enlevé l’objet du four, couvrir sans serrer avec une feuille pendant 10 à 15 minutes avant le découpage s’il est nécessaire d’augmenter la température de l’aliment de 5 à 10 °F (3 à 6 °C).

⚠ AVERTISSEMENT



RISQUE DE BRÛLURES

Utiliser des mitaines de four pour retirer la sonde thermométrique.
Ne pas toucher l’élément du grill.

Le non-respect de ces instructions peut causer des brûlures.

TABLEAU DE CONVECTION CUISSON

VIANDES	POIDS (LB)	TEMP.FOUR °F (°C)	POSITION GRILLE	TEMPS RÔTISSAGE (MIN. PER LB)	TEMP. INTERNE °F (°C)
Bœuf					
• Côte de bœuf	4-6	325 (163)	2	16-20 18-22	145 (63) medium saignant 160 (71) médium
• Rosbif de faux-filet (sans os)	4-6	325 (163)	2	16-20 18-22	145 (63) medium saignant 160 (71) médium
• Pointe de surlonge (sans os)	3-6	325 (163)	2	16-20 18-22	145 (63) medium saignant 160 (71) médium
• Filet	2-3	400 (205)	2	15-20	145 (63) medium saignant
Porc					
• Longe de porc (sans os ou avec os)	5-8	350 (177)	2	16-20	160 (71) médium
• Épaule	3-6	350 (177)	2	20-25	160 (71) médium
Volaille					
• Poulet-entier	3-4	375 (190)	2	18-21	180 (82)
• Dinde non farcie	12-15	325 (163)	1	10-14	180 (82)
• Dinde non farcie	16-20	325 (163)	1	9-11	180 (82)
• Dinde non farcie	21-25	325 (163)	1	6-10	180 (82)
• Poitrine	3-8	325 (163)	1	15-20	170 (77)
• Poulet de Comouailles	1-1½	350 (177)	2	45-75 total	180 (82)
Agneau					
• Demi gigot	3-4	325 (163)	2	22-27 28-33	160 (71) médium 170 (77) bien cuit
• Gigot entier	6-8	325 (163)	1	22-27 28-33	160 (71) médium 170 (77) bien cuit

UTILISATION DU FOUR

CONSEILS ET TECHNIQUES POUR LE GRIL À CONVECTION

- Placer le gril dans la position appropriée avant d'allumer votre four.
- Utiliser le gril à convection avec la porte fermée.

- Ne pas préchauffer pour le four.
- Utiliser le plat de rôtissage à 2 pièces.
- Tourner les viandes une fois à mi-cuisson du temps de cuisson recommandé (voir le tableau de gril à convection).

TABLEAU DE GRIL À CONVECTION

ALIMENTS ET ÉPAISSEUR	POSITION DE GRILLE	RÉGLAGE DU GRIL °F (°C)	TEMP. INTERNE °F (°C)	TEMPS CÔTÉ 1 (MIN.)*	TEMPS CÔTÉ 2 (MIN.)*
Bœuf					
• Steak (1 1/2" ou plus)					
- Médium saignant	4	450 (232)	145 (63)	9-12	8-10
- Médium	4	450 (232)	160 (71)	11-13	10-12
- Bien cuit	4	450 (232)	170 (77)	18-20	16-17
• Hamburgers (plus que 1")					
- Médium	4	550 (288)	160 (71)	8-11	5-7
- Bien cuit	4	550 (288)	170 (77)	11-13	8-10
Volaille					
• Poitrine (avec os)	4	450 (232)	180 (82)	16-18	10-13
• Deux demi poulets	3	450 (232)	180 (82)	25-27	15-18
• Cuisses	4	450 (232)	170 (77)	13-15	9-13
Porc					
• Porc Cotelettes (1 1/4" ou plus)	4	450 (232)	160 (71)	12-14	11-13
• Saucisses fraîches	4	450 (232)	160 (71)	4-6	3-5

* Le temps de gril à convection sont approximatifs et peuvent varier.

Les temps de cuisson sont indiqués et ils dépendent également de l'épaisseur de la viande et de la température de départ de celle-ci avant la cuisson.

CONSEILS ET TECHNIQUES DE DÉSHYDRATATION

En circulant, l'air chauffé à plus basse température élimine progressivement l'humidité afin de préserver les aliments.

- La température du four pour déshydrater est comprise entre 120 °F (49 °C) et 160 °F (71 °C).
- Plusieurs grilles peuvent être utilisées en même temps.
- Certains aliments requièrent 14-15 heures pour complètement se déshydrater.

- Consultez un livre sur la conservation des aliments pour les temps spécifiques et la conservation de certains aliments.
- Ce mode est approprié pour des fruits, des légumes, des herbes et des morceaux de viande.
- Des écrans de séchage peuvent être achetés dans les magasins spécialisés.
- En utilisant des feuilles de papier, une certaine humidité peut être absorbée avant la déshydratation (comme des morceaux de tomate ou de pêche).

TABLEAU DE GRILLADE À DÉSHYDRATATION

ALIMENT	PRÉPARATION	TEMPS DE SÉCHAGE APPROX.* (HEURES)	VÉRIFIER LA CUISSON
Fruit			
• Pommes	Dans jus de citron 1/4 t. et 2 t. d'eau, 1/4 tranches	11-15	Légèrement pliables
• Bananes	Dans jus de citron 1/4 t. et 2 t. d'eau, 1/4 tranches	11-15	Légèrement pliables
• Cerises	Laver et assécher à la serviette. Pour les cerises fraîches, dénoyauter	10-15	Pliables, tannées, moelleuses
• Pelures d'orange et tranches	1/4 d'épaisseur ; partie de la pelure finement pelée	Peelings : 2-4 Tranches : 12-16	Orange pelée, séchée et cassante. Tranches: sèches et cassantes, fruit légèrement humide

UTILISATION DU FOUR

ALIMENT	PRÉPARATION	TEMPS DE SÉCHAGE APPROX.* (HEURES)	VÉRIFIER LA CUISSON
• Tranches d'ananas	Séchées à la serviette	En conserve : 9-13 Frais : 8-12	Souples et pliables
• Fraises	Lavées et séchées à la serviette. Tranches 1/2" d'épaisseur, dessus sur la grille	12-17	Sèches et cassantes
Légumes			
• Poivrons	Lavées et séchées à la serviette. Retirer la membrane grossièrement coupés (environ 1")	16-20	Cassants sans humidité à l'intérieur
• Champignons	Lavées et séchées à la serviette. Couper la tige. Morceaux de 1/8"	7-12	Fermes et cassants, secs
• Tomates	Lavées et séchées à la serviette. Tranches minces 1/8" d'épaisseur. Bien drainer	16-23	Sèches, rouges
Fines herbes			
• Origan, sauge, persil et thym, et fenouil	Rincer et assécher à la serviette.	Sécher à 120°F (60°C) de 3 à 5 heures	Croustillant et cassant
• Basilic	Feuilles 3" à 4" du haut. Vaporiser d'eau, secouer et assécher	Sécher à 120°F (60°C) de 3 à 5 heures	Croustillant et cassant

CONSEILS DE GRILL

- Placer le gril dans la position appropriée avant d'allumer votre four.
- Utiliser le gril à convection avec la porte fermée.
- Préchauffer le four pendant 5 minutes avant son utilisation.
- Utiliser le plat de rôtissage à 2 pièces.
- Tourner les viandes une fois à mi-cuisson du temps de cuisson recommandé (voir le tableau grill).

TABLEAU DE GRILL

ALIMENTS ET ÉPAISSEUR	POSITION DE GRILLE	RÉGLAGE DU GRIL	ITEMP. INTERNE °F (°C)	TEMPS CÔTÉ 1 (MIN.)*	TEMPS CÔTÉ 2 (MIN.)*
Boeuf					
• Steak (3/4" à 1")					
- Médium saignant	5	5	145 (63)	5-7	4-6
- Médium	5	5	160 (71)	6-8	5-7
- Bien cuit	5	5	170 (77)	8-10	7-9
• Hamburgers (3/4" à 1")					
- Médium	4	5	160 (71)	8-11	6-9
- Bien cuit	4	5	170 (77)	10-13	8-10
Volaille					
• Poitrine (avec os)	4	4	170 (77)	10-12	8-10
• Cuisses (bien cuit)	4	3	180 (82)	28-30	13-15
Porc					
• Côtelettes de porc (1")	5	5	160 (71)	7-9	5-7
• Saucisses fraîches	5	5	160 (71)	5-7	3-5
• Tranche de jambon (1/2")	5	5	160 (71)	4-6	3-5
Fruits de mer					
• Filets de poisson (1") - beurrés	4	4	Cuire jusqu'à opacité et que l'aliment se défasse facilement avec une fourchette	10-14	Ne pas tourner

UTILISATION DU FOUR

ALIMENTS ET ÉPAISSEUR	POSITION DE GRILLE	RÉGLAGE DU GRIL	ITEMP. INTERNE °F (°C)	TEMPS CÔTÉ 1 (MIN.)*	TEMPS CÔTÉ 2 (MIN.)*
Agneau					
• Côtelettes (1")					
- Médium saignant	5	5	145 (63)	5-7	4-6
- Médium	5	5	160 (71)	6-8	4-6
- Bien cuit	5	5	170 (77)	7-9	5-7
Pain					
• À l'ail (1") tranches	4	5		2-2,30	
• À l'ail (1") tranches	3	5		4-6	

* Le temps de gril à convection sont approximatifs et peuvent varier.

Les temps de cuisson sont indiqués et ils dépendent également de l'épaisseur de la viande et de la température de départ de celle-ci avant la cuisson.

GUIDE DE TEMPÉRATURE DE SERVICE DE LA FSIS (SERVICE D'INSPECTION ET SÉCURITÉ DES ALIMENTS USDA)

140°F (60°C)	Jambon précuit (pour réchauffer)
145°F (63°C)	Boeuf, veau, agneau frais (médium saignant)
160°F (71°C)	Viande hachée et mélange de viande (boeuf, porc, veau, agneau)
	Boeuf, veau, agneau frais (médium)
	Porc frais (médium)
	Jambon frais (non cuit)
	Plats aux oeufs
165°F (74°C)	Viande hachée et mélange de viande (dinde, poulet)
	Farce (seule ou dans une voaille)
170°F (77°C)	Restes, casseroles
	Boeuf, veau, agneau frais (bien cuit)
	Poitrine de volaille
180°F (82°C)	Porc frais (bien cuit)
	Poulet et dinde (entier)
	Volaille (cuisses, ailes)
	Canard et oie

REMARQUE : oeufs (seuls, non dans une recette) - cuire jusqu'à ce que le jaune et le blanc soient fermes.

Thermomètre à viande

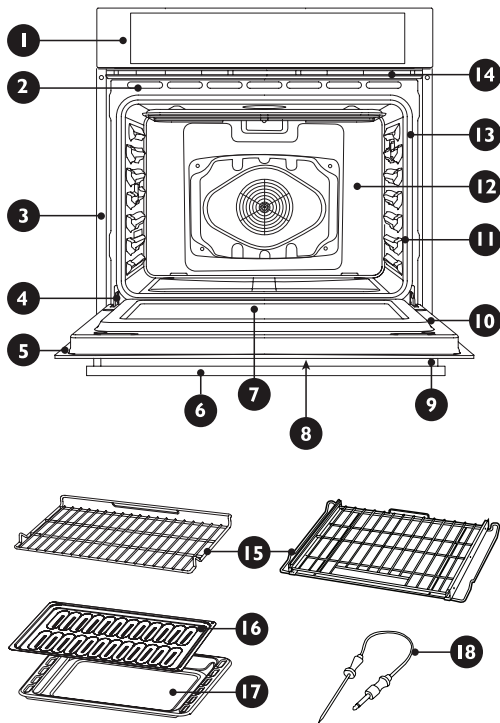
Utiliser un thermomètre à viande afin de déterminer si la cuisson de la viande, de la volaille ou du poisson correspond au degré de cuisson souhaité. C'est la température interne et non l'apparence qui permet de déterminer le degré de cuisson.

NETTOYAGE GÉNÉRAL

IMPORTANT : Avant le nettoyage, s'assurer que toutes les commandes sont désactivées et que le four est froid. Toujours suivre les instructions indiquées sur l'étiquette des produits nettoyants.

COMMENT UTILISER LE TABLEAU DE NETTOYAGE DU FOUR

- Repérer le chiffre de la partie à nettoyer dans l'illustration de cette page.
- Trouver le nom de cette partie dans le tableau.
 - Utiliser la méthode de nettoyage dans la colonne de gauche si le four est noir ou blanc.
 - Utiliser la méthode de nettoyage dans la colonne de droite si le four est en acier inoxydable.
- Faire concorder le chiffre avec la méthode de nettoyage de la page suivante.



FOUR EN ACIER INOXYDABLE

PIÈCE	MÉTHODE DE NETTOYAGE
1 Tableau de commande	C-G
2 Ouvertures de refroidissement de la porte	E
3 Bague de protection	D
4 Garniture inférieure	D
5 Cadre de la porte	E
6 Poignée de la porte	G

PIÈCE	MÉTHODE DE NETTOYAGE
7 Intérieur de la fenêtre de la porte	F
8 Devant de la porte	C & G
9 Capuchons d'extrémités	D
10 Porte du four – Intérieur	E
11 Cadre avant du four	E
12 Cavité du four	E
13 Joint de porte	B
14 Ouvertures de refroidissement de four	D
15 Grille du four (3 standard, 2 coulissante)	A
16 Support à lèche-frite	E
17 Lèche-frite	E
18 Sonde thermique	A

FINITIONS DU FOUR / MÉTHODES DE NETTOYAGE

Le four entier peut être nettoyé de façon sûre avec une éponge savonneuse, puis rincé, et séché. Si des résidus excédentaires restent, suivez les méthodes de nettoyage ci-dessous.

- Utiliser toujours le chiffon le plus doux possible.
- Frotter les finis en métal dans la direction du grain.
- Utiliser des chiffons, des éponges ou des tissus en papier doux et propres.
- Rincer le tout avec un minimum d'eau pour qu'elle ne coule pas dans les fentes de la porte.
- Essuyer pour éviter les traces d'eau.

Les nettoyeurs dans la liste ci-dessous n'indiquent les types de produits à utiliser qu'à titre indicatif. Utiliser tous les produits selon les indications de l'emballage.


PIÈCE	MÉTHODE DE NETTOYAGE
A Fini chromé	Lavez avec de l'eau chaude savonneuse. Rincez et séchez soigneusement. Ou, frottez légèrement avec de Soft Scrub®, Bon-Ami®, Comet®, Ajax®, Brillo®, ou les tampons S.O.S.®. Les nettoyeurs Easy Off® ou Dow aven Cleaners® (formule four froid) peuvent être utilisés, mais ils peuvent noircir ou décolorer le fini chromé. Les grilles peuvent être nettoyées dans le four pendant l'autonettoyage. Cependant, elles vont perdre leur brillant et devenir grises de façon permanente.
B Tressage en fibre de verre	NE NETTOYEZ PAS LE JOINT À LA MAIN.

ENTRETIEN DU FOUR

PIÈCE	MÉTHODE DE NETTOYAGE
C Verre	Vaporisez du Windex® ou du Glass Plus® d'abord sur le chiffon, ensuite essuyez pour nettoyer. Utiliser du Fantastik® ou du Formula 409® pour enlever les éclaboussures de graisse.
D Partie peinte	Nettoyez avec une eau savonneuse ou appliquez du Fantastik® ou du Formula 409® d'abord sur une éponge propre ou sur des feuilles en papier et essuyez pour nettoyer. Évitez d'utiliser des nettoyeurs en poudre ou des tampons métalliques à récurer.
E Porcelaine	Essuyez immédiatement les éclaboussures acides comme les jus de fruit, le lait, les tomates, avec un chiffon sec. N'Utiliser pas d'éponge/chiffon humide sur de la porcelaine chaude. Lorsqu'elle est froide, nettoyez avec de l'eau chaude savonneuse ou appliquez du Soft Scrub® ou du Bon-Ami® sur une éponge humide. Rincez et séchez. Pour les tâches récalcitrantes, Utiliser légèrement du Brillo®, ou les tampons S.O.S.®. Il est normal que la porcelaine se fendille très légèrement (de fines lignes) avec l'âge à cause des expositions à la chaleur et aux résidus alimentaires.
F Verre réfléchissant	Nettoyez avec de l'eau chaude savonneuse ou un récurer en plastique. Frottez vigoureusement avec du vinaigre, du Windex®, de l'ammoniac, ou du Bon-Ami®. N'Utiliser PAS D'ABRASIFS FORTS.
G Acier inoxydable	Essuyez toujours avec un chiffon ou un nettoyant dans la direction du grain. Nettoyez avec une éponge savonneuse, puis, rincez et séchez ou essuyez avec du Fantastik® ou du Formula 409 vaporisé sur un essuie-tout. Protégez ou polissez avec du Stainless Steel Magic® et un chiffon doux. Enlevez les taches d'eau avec un chiffon imbibé de vinaigre blanc. Utiliser du Zud®, Cameo®, Bar Keeper's Friend® ou RevereWare Steel Cleaner®, pour enlever la décoloration due à la chaleur.

AUTONETTOYAGE AUTOMATIQUE

⚠ AVERTISSEMENT



RISQUE DE BRÛLURES

Ne pas toucher le four au cours du programme d'autonettoyage.

Ne pas laisser les enfants s'approcher du four au cours du programme d'autonettoyage.

Le non-respect de ces instructions peut causer des brûlures.

Ce four est doté d'une fonction d'autonettoyage qui élimine le besoin de récurer manuellement la cavité du four. Durant le programme d'autonettoyage, le four utilise des températures très élevées, brûlant les saletés pour les réduire en cendres.

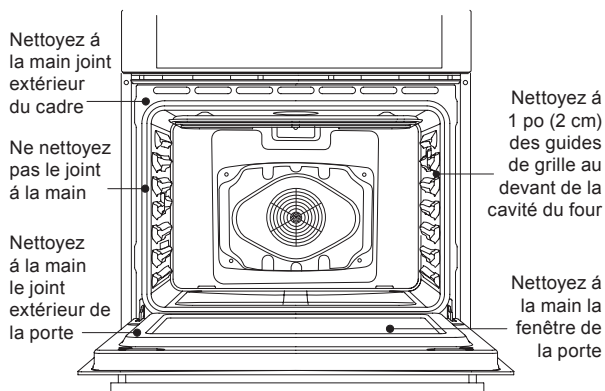
IMPORTANT : La santé de certains oiseaux est très sensible aux émanations qui surviennent durant le programme d'autonettoyage. L'exposition aux émanations peut entraîner la mort de certains oiseaux. Toujours déPlacer les oiseaux dans une autre pièce fermée et bien aérée.

- Veiller à ce que la cuisine soit bien aérée pendant le programme d'autonettoyage afin d'aider à éliminer la chaleur, les odeurs et la fumée.
- Il est normal de voir des fumées et/ou une flammèche occasionnelle pendant le cycle d'autonettoyage, selon le contenu et la quantité de résidus dans le four. Si une flamme persiste, éteindre le four et le laisser se refroidir avant d'ouvrir la porte pour essuyer les résidus en surplus.
- Ne pas obstruer le ou les événement(s) du four durant le programme d'autonettoyage. L'air doit pouvoir circuler librement. Voir la section "Événements du four".
- Ne pas nettoyer, frotter, endommager ou déPlacer le joint d'étanchéité de la porte du four.
- Le loquet de la porte est automatiquement activé après la sélection de l'autonettoyage. Le symbole de verrouillage de la porte va s'afficher. Cela assure que la porte ne peut pas être ouverte lorsque le four est en autonettoyage.
- Le four est pré-réglé pour un programme d'autonettoyage de 2,5 heures, mais la durée peut être modifiée. Les durées de nettoyage suggérées sont de 2 h pour les saletés légères et entre 3 h et 3,5 h pour les saletés moyennes à intenses.
- Le mode s'arrête automatiquement à la fin des heures de nettoyage.
- Lorsque la température du four descend à une température plus sûre, le verrouillage automatique de la porte se déverrouille et la porte peut être ouverte.
- La lampe du four ne fonctionne pas lorsque le mode Clean (nettoyage) est activé.

AVANT L'AUTONETTOYAGE

- 1 Enlevez tous les ustensiles et les plats.
- 2 Retirer les grilles du four en matière autre que la porcelaine. Si les grilles chromées sont laissées dans le four pendant le programme d'autonettoyage, elles perdront définitivement leur finition brillante qui s'assombrira et se ternira. Voir le tableau de nettoyage du four pour des instructions sur l'entretien approprié.
- 3 Essuyer tout renversement de salissures molles et de graisse avec des essuie-tout. L'excès de graisse formera des flammes et de la fumée dans le four durant l'autonettoyage.
- 4 S'assurer que les lampes d'intérieur sont éteintes et que les ampoules et les protège-ampoules sont en place.
- 5 Certaines parties du four comme le rebord de la porte du four, le hublot de la porte du four, le cadre avant du four et une zone de 1½" (2-3 cm) à l'intérieur du cadre ne chauffent pas suffisamment durant le programme de nettoyage pour brûler la saleté, et doivent être nettoyées à la main AVANT le début du programme. Nettoyer à l'aide d'une éponge savonneuse ou d'un tampon à récurer en plastique et d'une solution de détergent et d'eau chaude. Rincer et sécher soigneusement toutes les parties.

REMARQUE : Ne pas frotter le joint de la porte du four.



PROGRAMME D'AUTONETTOYAGE

Il est conseillé d'attendre au minimum 24 heures entre chaque programme de nettoyage.

AUTONETTOYAGE :

- 1 Fermer la porte du four.
- 2 Appuyer sur 1 pour le four supérieur ou 2 pour le four inférieur.
- 3 Appuyer sur SELF CLEAN (autonettoyage). "REMOVE RACKS" (retirer les grilles) apparaîtra dans la zone de texte du four sélectionné.
- 4 "2:00 3:00 3:30" s'affiche.
- 5 Utiliser le clavier numérique pour sélectionner le niveau de nettoyage souhaité. Sélectionner 1-3.
- 6 Pour différer le démarrage du programme d'autonettoyage, appuyer sur START TIME (heure de début), puis régler une heure au moyen du clavier numérique.
- 7 Appuyer sur START (mise en marche).

Une fois la porte verrouillée, "SELF CLEAN" (autonettoyage) défile dans la zone de texte sélectionnée jusqu'à ce que le programme de nettoyage soit terminé.

Lorsque le programme d'autonettoyage est terminé : "COMPLETE" (terminé) s'affiche et la porte du four se déverrouille.

REMARQUE: SELF CLEAN peut être annulé en appuyant sur STOP / CLEAR. La porte du four restera verrouillée si la cavité du four est au-dessus d'une température sécuritaire et se déverrouillera lorsque la cavité du four aura refroidi.

- 8 Lorsque le four a complètement refroidi, retirer la cendre avec un chiffon humide.

REMARQUE : Afin d'éviter de briser le verre, ne pas appliquer un chiffon humide et froid sur la partie interne du hublot de la porte avant qu'il n'ait complètement refroidi.

RETRAIT DE LA PORTE DU FOUR

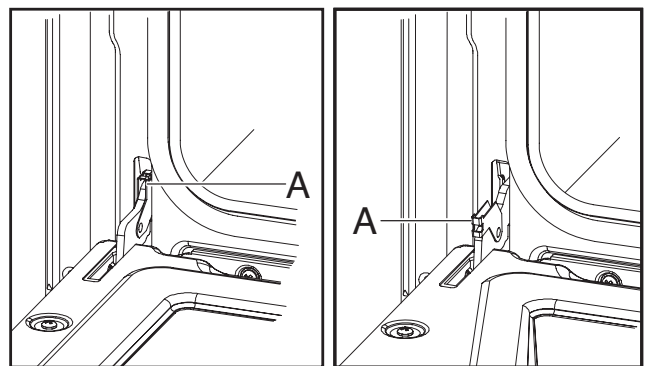
Il n'est pas nécessaire d'enlever la porte du four dans le cadre d'une utilisation normale. S'il est toutefois nécessaire de retirer la porte, suivre les instructions fournies dans cette section.

IMPORTANT :

- Assurez-vous que le four est froid et qu'il est bien éteint avant d'enlever la porte sinon.
- La porte du four en avant est lourde et fragile, et le devant de cette porte est en verre. Pour éviter de briser le verre, utiliser les deux mains et saisir seulement les côtés de la portes du four pour l'enlever. Ne pas saisir par la poignée.
- S'assurer que les deux leviers sont sécuritairement en place avant d'enlever la porte.
- Ne pas forcer la porte fermée ou ouverte.

RETRAIT DE LA PORTE DU FOUR :

- 1 Ouvrir la porte complètement.
- 2 Relever le loquet de charnière de chaque côté.



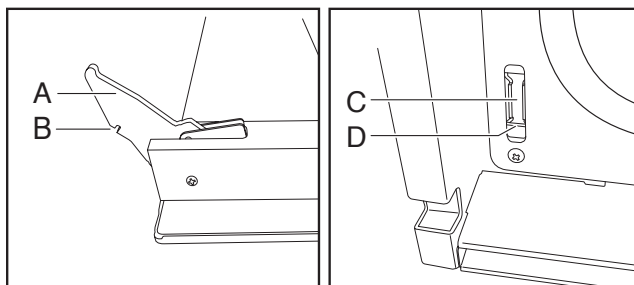
A - Support de charnière

- 3 En maintenant la porte fermement, fermer la porte du four complètement.
- 4 En saisissant les deux côtés, soulever la porte en la poussant en position fermée, puis la dégager du cadre de porte en la tirant.
- 5 Poser la porte sur une surface protégée.

ENTRETIEN DU FOUR

RÉINSTALLATION DE LA PORTE DU FOUR :

- 1 Tenir la porte fermement, insérer les bras supérieurs des deux charnières dans les fentes. Les renforcements doivent s'accrocher sur les lèvres.



A - Bras supérieurs
B - Enfoncements

C - Fentes
D - Lèvres

- 2 Ouvrir la porte du four.

REMARQUE : Vous devriez entendre un déclic lorsque la porte est correctement remise en place.

- 3 Remettre les loquets des charnières à la position verrouillée (de chaque côté).
- 4 Ouvrir et fermer la porte pour s'assurer que l'ouverture se fait librement. Si ce n'est pas le cas, répéter la procédure de retrait et de réinstallation de la porte.
- 5 Fermer et ouvrir la porte doucement pour s'assurer qu'elle est correctement en place.

REPLACEMENT D'UNE AMPOULE DU FOUR

⚠ AVERTISSEMENT



RISQUE DE CHOC ÉLECTRIQUE

Assurez-vous que le four et que les lumières sont froides et que le four est bien éteint avant de remplacer les ampoules.

Les lentilles doivent être remises en place lorsque vous utilisez le four. Les lentilles servent à protéger l'ampoule pour qu'elle ne se casse pas.

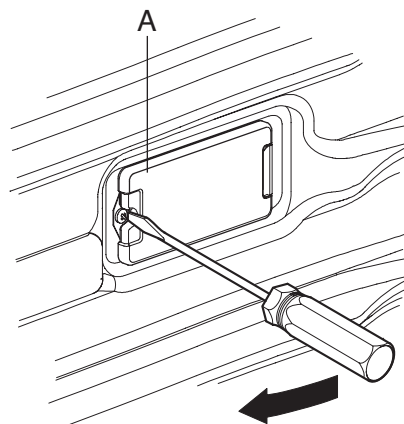
Les lentilles sont en verre. Manipulez-les avec précaution pour éviter de les casser.

Le non-respect de cette instruction pourrait causer un décès, un choc électrique, des coupures ou des brûlures.

La lampe du four est une ampoule standard de 25 watts (G9) pour appareils électroménagers.

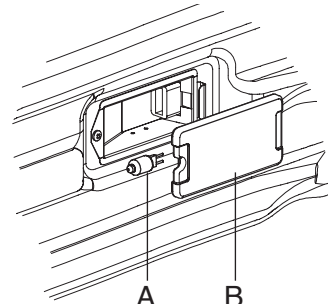
IMPORTANT : Avant de procéder au remplacement, s'assurer que le four est froid et que les commandes sont désactivées.

- 1 Couper l'alimentation électrique de l'alimentation principale (fusible ou disjoncteur).
- 2 À l'aide d'un tournevis cruciforme, retirer la vis, puis retirer le couvercle.



A - Protège-ampoule

- 3 Sortir l'ampoule de la douille.



A - Ampoule
B - Protège-ampoule

REMARQUE : Pour éviter d'endommager ou de réduire la longévité de l'ampoule neuve, ne pas toucher l'ampoule avec les doigts nus. Porter des gants en coton ou utiliser de l'essuie-tout lors du remplacement de l'ampoule.

- 4 Remplacer l'ampoule, puis remettre le protège-ampoule.
- 5 Rétablir l'alimentation au niveau de la source de courant électrique principale (fusible ou boîtier de disjoncteurs).

Essayer d'abord les solutions suggérées ici pour éviter le coût d'un appel de service.

CUISSON ET RÔTISSAGE

Avec la cuisson comme la cuisson à convection, des problèmes de cuisson peuvent arriver pour de nombreuses raisons autre qu'un mauvais fonctionnement du four. Vérifier le tableau ci-

dessous qui répond à la plupart des problèmes communs. Étant donné que la taille, la forme et le matériel de cuisson affectent les résultats de la cuisson, la meilleure solution est de remplacer les vieux plats qui sont devenus sombres et qui se sont voilés avec le temps et leur utilisation. Vérifier les tableaux de cuisson pour une position correcte des grilles et du temps de cuisson.

PROBLÈME DE CUISSON	CAUSE
Aliment brunissant de façon hétérogène	<ul style="list-style-type: none"> • Four non préchauffé • Papier aluminium sur la grille ou au fond du four • Plat de cuisson trop grand pour la recette • Plat touchant aux autres plats ou la paroi du four
Aliment trop brun au fond	<ul style="list-style-type: none"> • Four non préchauffé • Utilisation de plat en verre, mat ou foncé • Position de grille incorrecte • Plat touchant aux autres plats ou la paroi du four
Aliment sec ou ayant excessivement rétréci	<ul style="list-style-type: none"> • Température du four trop élevé • Temps de cuisson trop long • Porte du four trop souvent ouverte • Plat trop grand
Aliment cuisant ou rôtissant trop lentement	<ul style="list-style-type: none"> • Température du four trop basse • Four non préchauffé • Porte du four trop souvent ouverte • Scellé hermétiquement avec du papier aluminium • Plat trop petit
Croûte à tarte non brunie au fond ou croûte non cuit	<ul style="list-style-type: none"> • Temps de cuisson pas assez long • Utilisation de plat en acier brillant • Position de grille incorrecte • Température du four trop basse
Gâteau pâle, plat, ou non cuit à l'intérieur	<ul style="list-style-type: none"> • Température du four trop basse • Temps de cuisson incorrect • Gâteau vérifié trop tôt • Porte du four trop souvent ouverte • Plat trop grand
Gâteau haut au centre avec craquelure sur le dessus	<ul style="list-style-type: none"> • Température du four trop élevée • Temps de cuisson trop long • Plat touchant aux autres plats ou la paroi du four • Position de grille incorrecte • Plat trop petit
Bords de croûte de tarte trop bruns	<ul style="list-style-type: none"> • Température du four trop élevée • Bords de croûte trop minces

DÉPANNAGE

FUNCTIONNEMENT

PROBLÈME	CAUSE POSSIBLE	SOLUTION
Un code d'erreur F03 ou F04 apparaît sur la fenêtre d'affichage.	Un problème s'est produit avec le mécanisme du loquet.	Déconnecter la source de courant électrique principale (fusible ou boîtier de disjoncteurs), attendre quelques secondes et remettre en marche. Le four devrait exécuter un test automatique du loquet. Si le problème persiste, noter le numéro du code et contacter un centre de service agréé.
Un autre code d'erreur F_ apparaît sur la fenêtre d'affichage.		Déconnecter la source de courant électrique principale (fusible ou boîtier de disjoncteurs), attendre quelques secondes et remettre en marche. Si le problème persiste, noter le numéro du code et contacter un centre de service agréé.
L'affichage du four ne s'allume pas.		Déconnecter la source de courant électrique principale (fusible ou boîtier de disjoncteurs). Remettre en marche le boîtier de disjoncteurs. Si le problème persiste, contacter un centre de service agréé.
Le ventilateur de refroidissement continue à fonctionner après que le four ait été éteint.	Les composants du four n'ont pas suffisamment refroidi.	Le ventilateur s'éteint automatiquement lorsque les composants électroniques ont suffisamment refroidi.
La porte du four est verrouillée et ne s'ouvre pas, même après avoir refroidi.		Éteindre le four au niveau du boîtier de disjoncteurs et attendre quelques secondes. Remettre en marche le boîtier de disjoncteurs. Le four devrait se réinitialiser et fonctionner.
Le four ne chauffe pas.	Le four n'est pas alimenté en électricité.	Rétablir l'alimentation au niveau de la source de courant électrique principale (fusible ou boîtier de disjoncteurs). Si le problème persiste, contacter un centre de service agréé.
	Aucun mode du four ou température n'a été sélectionné.	Appuyer sur l'option de cuisson sur le clavier pour sélectionner le mode et la température du four.
Le four ne chauffe pas d'une manière homogène.	La grille du four n'est pas en position correcte.	Consulter les tableaux de cuisson pour connaître la position de grille recommandée.
	Mode "Cuisson au four par convection"	Pour une cuisson en mode "Cuisson au four par convection", toujours baisser la température de la recette de 25 °F (15 °C) .
La lampe du four ne fonctionne pas correctement.	Une ampoule est desserrée dans la douille ou grillée.	RemPlacer ou réinsérer l'ampoule si celle-ci est desserrée ou défectueuse. L'ampoule peut griller si on la touche avec les doigts.
La lampe du four reste allumée.	La porte du four ne ferme pas complètement.	Vérifier si la porte du four rencontre une obstruction. Vérifier si la charnière est tordue ou si le contacteur de la porte est cassé.
Le protège-ampoule de la lampe ne peut pas être retiré.	Le protège-ampoule est sale.	Il peut y avoir une accumulation de saletés autour du protège-ampoule. Essuyer la surface du protège-ampoule avec un torchon propre et sec avant d'essayer de retirer le protège-ampoule.

PROBLÈME	CAUSE POSSIBLE	SOLUTION
Le four ne s'autonettoie pas correctement.	Le four était encore chaud lorsque le mode de nettoyage a été sélectionné.	Laisser le four refroidir avant de démarrer l'autonettoyage.
	Le four est très sale.	Toujours essayer pour décoller les saletés ou les gros renversements avant de démarrer l'autonettoyage. Voir FINITIONS DU FOUR / MÉTHODES DE NETTOYAGE à la page 23.
		Si le four est extrêmement sale, régler le four pour un autonettoyage de 4 heures.
L'horloge et la minuterie ne fonctionnent pas correctement	Le four n'est pas alimenté en électricité.	Rétablir l'alimentation au niveau de la source de courant électrique principale (fusible ou boîtier de disjoncteurs). Si le problème persiste, contacter un centre de service agréé.
	L'horloge ou la minuterie n'a pas été réglée correctement.	Voir les sections "Horloge" à la page 9 et "Minuterie" à la page 10.
Humidité excessive	Le four n'a pas été préchauffé correctement.	Lorsque le mode "Cuisson au four" est utilisé, préchauffer le four au préalable. La cuisson au four par convection et le rôtissage par convection vont éliminer toute l'humidité dans le four (c'est l'un des avantages de la convection).
Éclats de porcelaine	Les grilles du four n'ont pas été retirées et remises en place correctement.	Lorsque les grilles du four sont retirées et remises en place, toujours incliner les grilles vers le haut et ne pas les forcer pour éviter d'écailler la porcelaine.

SHARP®

Sharp Électronique du Canada Ltée • 335, rue Britannia Est • Mississauga, Ontario • L4Z 1W9 • Canada