



# 15" TRASH COMPACTOR

## DETAILED PLANNING DIMENSIONS GUIDE

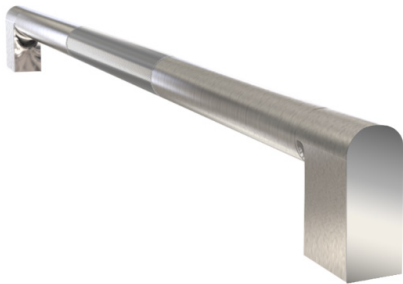
(BASE UNIT REQUIRES STAINLESS PANEL KIT OR CUSTOM PANELS AND HANDLES)

TC607X – 15" (W) x 34 $\frac{3}{8}$ " (H) x 26 $\frac{1}{2}$ " (depth without door panel/handles)

### BASE UNIT + PANEL KIT = FINISHED TRASH COMPACTOR

Base Unit Model Number	Stainless Panel Kits	
	RISE™ Stainless	NOIR™ Stainless
TC607X	JKTPX151HL	JKTPX151HM

### OPTIONAL ACCESSORIES FOR CUSTOM OVERLAY DESIGNS



#### RISE™ STAINLESS HANDLE KIT

- W11231235
- For use with Custom Overlay panels
- Quantity - One handle per kit

#### NOIR™ STAINLESS HANDLE KIT

- W11231232
- For use with Custom Overlay panels
- Quantity - One handle per kit

Because Whirlpool Corporation policy includes a continuous commitment to improve our products, we reserve the right to change materials and specifications without notice.

Dimensions are for planning purposes only. For complete details, see Installation Instructions packed with product. Specifications subject to change without notice.



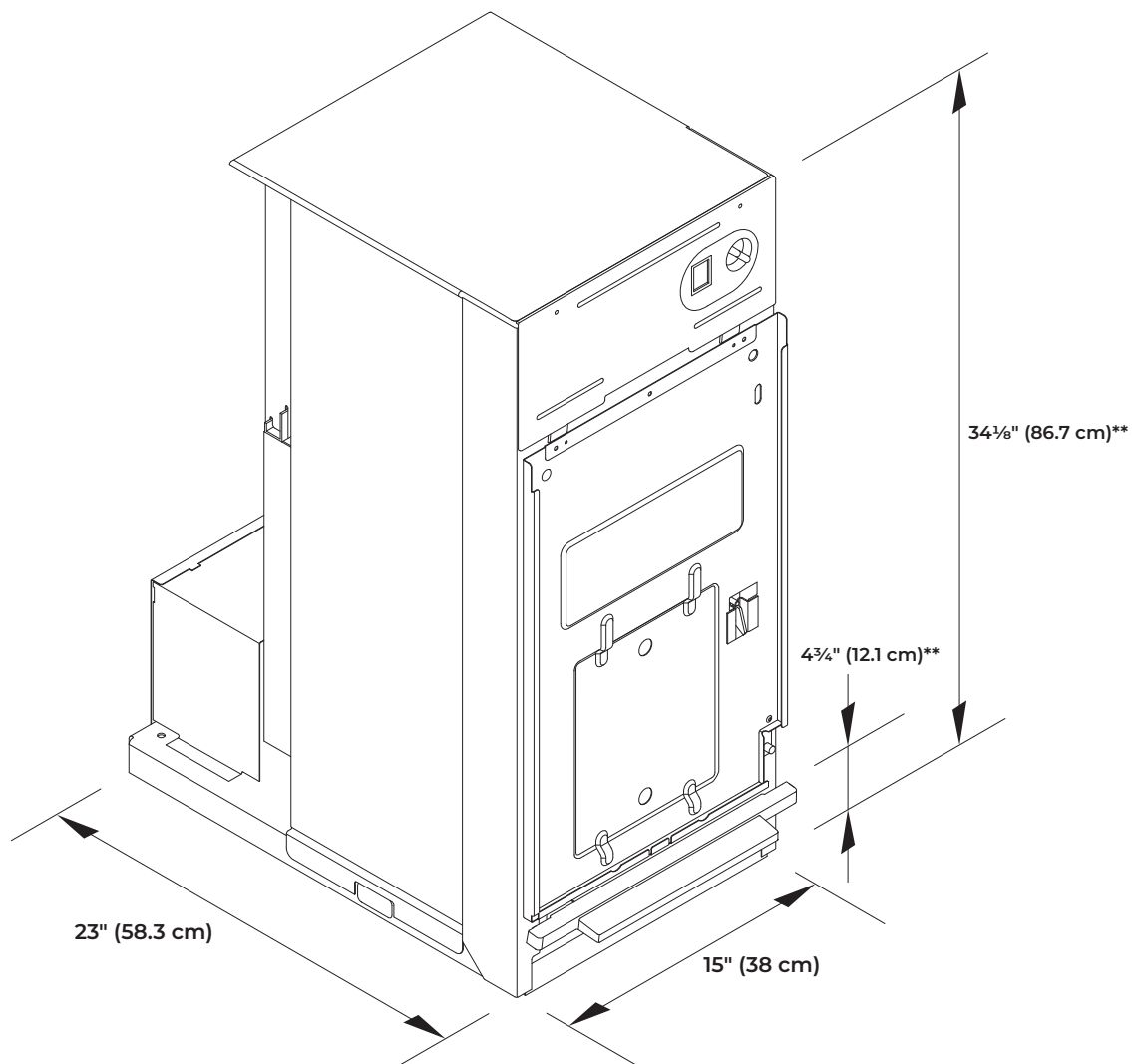
# 15" TRASH COMPACTOR

## DETAILED PLANNING DIMENSIONS GUIDE

(BASE UNIT REQUIRES STAINLESS PANEL KIT OR CUSTOM PANELS AND HANDLES)

TC607X – 15" (W) x 34 $\frac{3}{8}$ " (H) x 26 $\frac{1}{2}$ " (Depth without door panel/handles)

### PRODUCT DIMENSIONS



\*\*Add up to 3/4" (1.9 cm) to height with leg levelers fully extended.

Because Whirlpool Corporation policy includes a continuous commitment to improve our products, we reserve the right to change materials and specifications without notice.

Dimensions are for planning purposes only. For complete details, see Installation Instructions packed with product. Specifications subject to change without notice.

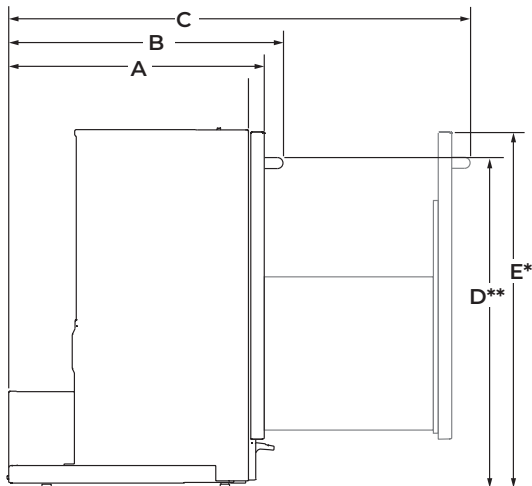
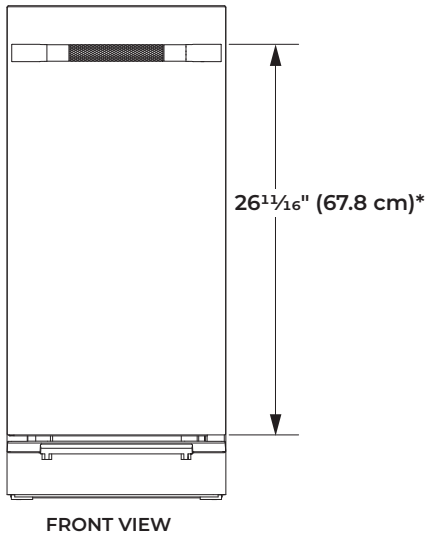


# 15" TRASH COMPACTOR

## DETAILED PLANNING DIMENSIONS GUIDE

(BASE UNIT REQUIRES STAINLESS PANEL KIT OR CUSTOM PANELS AND HANDLES)

TC607X – 15" (W) x 34<sup>3</sup>/<sub>8</sub>" (H) x 26<sup>1</sup>/<sub>2</sub>" (depth without door panel/handles)



	DESCRIPTION	TC607X
<b>A</b>	Depth with drawer and stainless panel	24 <sup>3</sup> / <sub>4</sub> " (61.5 cm)
	and custom wood panel***	24 <sup>1</sup> / <sub>2</sub> " (62.7 cm)
<b>B</b>	Depth with handle RISE™ panel kit	27" (68.5 cm)
	NOIR™ panel kit	26 <sup>5</sup> / <sub>16</sub> " (66.8 cm)
	RISE™ handle and custom panel***	27 <sup>3</sup> / <sub>4</sub> " (69.1 cm)
	NOIR™ handle and custom panel***	26 <sup>9</sup> / <sub>16</sub> " (67.4 cm)
<b>C</b>	Depth with drawer fully open including handle RISE™ panel kit	44 <sup>3</sup> / <sub>4</sub> " (113.7 cm)
	NOIR™ panel kit	44 <sup>1</sup> / <sub>8</sub> " (112 cm)
	RISE™ handle and custom panel***	45" (114.3 cm)
	NOIR™ handle and custom panel***	44 <sup>3</sup> / <sub>8</sub> " (112.6 cm)
<b>D**</b>	Floor to top of handle (min.) RISE™ panel kit	31 <sup>7</sup> / <sub>16</sub> " (79.9 cm)
	NOIR™ panel kit	31 <sup>7</sup> / <sub>16</sub> " (79.9 cm)
<b>E*</b>	Height to top of drawer (min.)	34" (86.3 cm)

\*Handle height on custom panels may vary due to panel construction.

\*\*Add up to 3/4" (1.9 cm) to height with leg levelers fully extended.

\*\*\*Assumes 3/4" (1.9 cm) thick custom wood panel.



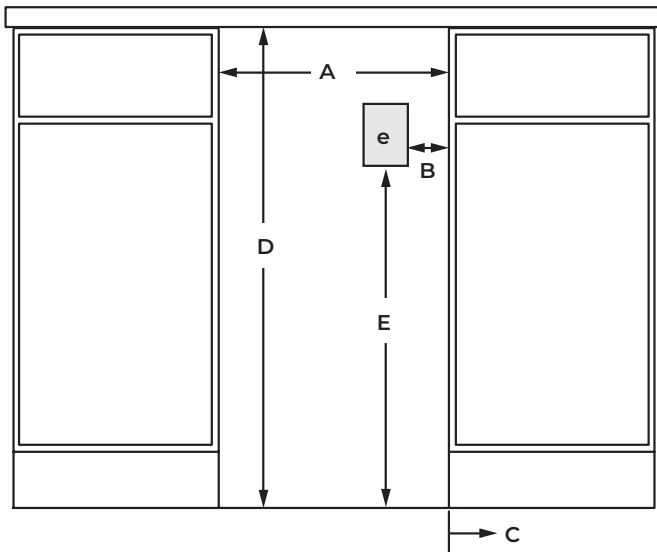
# 15" TRASH COMPACTOR

## DETAILED PLANNING DIMENSIONS GUIDE

(BASE UNIT REQUIRES STAINLESS PANEL KIT OR CUSTOM PANELS AND HANDLES)

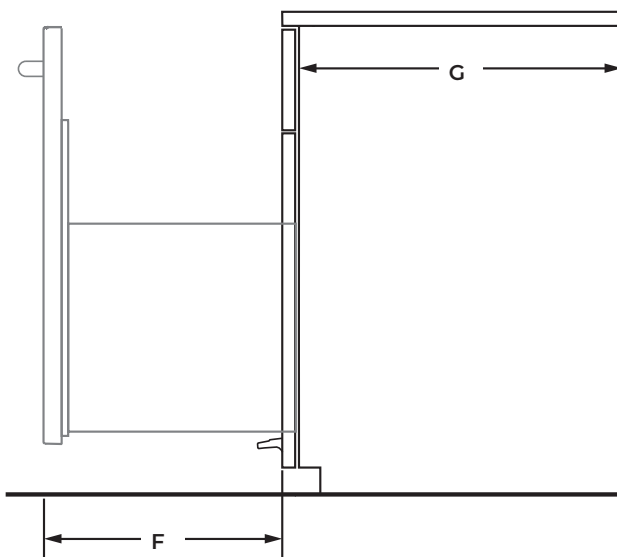
TC607X – 15" (W) x 34 $\frac{3}{8}$ " (H) x 26 $\frac{1}{2}$ " (Depth without door panel/handles)

### OPENING/CLEARANCE DIMENSIONS

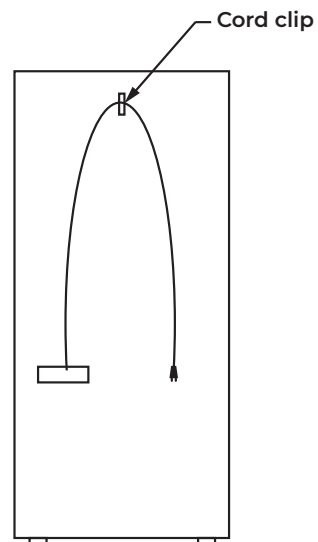


FRONT VIEW

	DESCRIPTION	TC607X
<b>A</b>	Width (min.)	15 $\frac{3}{4}$ " (38.7 cm)
<b>B</b>	Electrical outlet – distance from left- or right-hand side (min.)	3" (74.6 cm)
<b>C</b>	Clearance required for bag removal – right-hand side (min.)	6" (15.2 cm)
<b>D</b>	Height (min.)	34 $\frac{3}{4}$ " (87 cm)
<b>E</b>	Electrical outlet – distance from floor (min.)	18" (45.7 cm)
<b>F</b>	Clearance required for drawer removal (min.)	23" (58.4 cm)
<b>G</b>	Depth (min.)	24" (61 cm)
<b>e</b>	Recommended electrical connection location (left or right-hand side)	



SIDE VIEW



BACK VIEW

Because Whirlpool Corporation policy includes a continuous commitment to improve our products, we reserve the right to change materials and specifications without notice.

Dimensions are for planning purposes only. For complete details, see Installation Instructions packed with product. Specifications subject to change without notice.



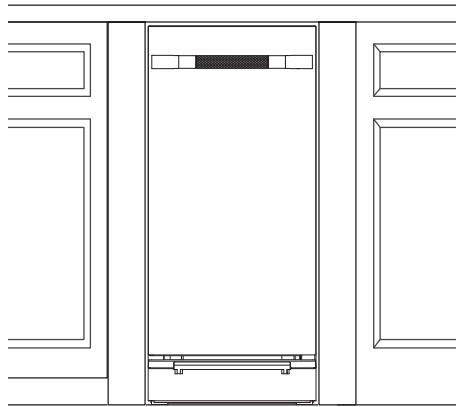
# 15" TRASH COMPACTOR

## DETAILED PLANNING DIMENSIONS GUIDE

(BASE UNIT REQUIRES STAINLESS PANEL KIT OR CUSTOM PANELS AND HANDLES)

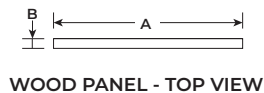
TC607X – 15" (W) x 34 $\frac{1}{8}$ " (H) x 26 $\frac{1}{2}$ " (depth without door panel/handles)

### WOOD PANEL GUIDE

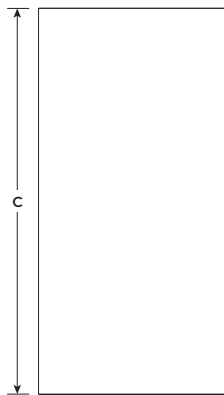


INSTALLED FRONT VIEW

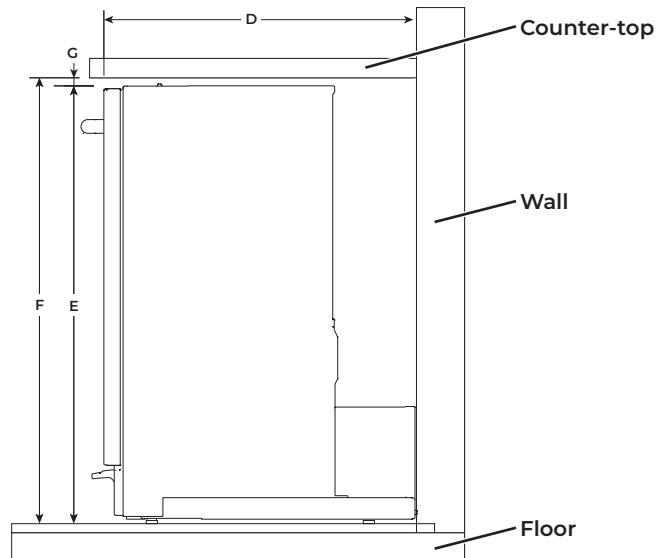
	DESCRIPTION	TC607X
<b>A</b>	Width	14 $\frac{7}{8}$ " (37.8 cm)
<b>B</b>	Thickness	3/4" (1.9 cm)
<b>C</b>	Height	29 $\frac{1}{4}$ " (74.3 cm)
<b>D</b>	Depth with panel	24" (60.9 cm)
<b>E</b>	Height of panel from floor	33 $\frac{5}{8}$ " (85.4 cm)
<b>F</b>	Total height - Distance between counter-top and floor	34" (86.4 cm)
<b>G</b>	Distance between counter-top and top of the panel	3/8" (9.5 mm)



WOOD PANEL - TOP VIEW



WOOD PANEL - FRONT VIEW



INSTALLED SIDE VIEW

### INSTALLATION NOTES

- Overlay panel thickness is 3/4" (1.90 cm).
- Maximum panel weight is 15 lbs (6.8 kg).
- Panel dimensions shown are the minimum size to cover the appliance door. Panels can be made taller/wider to match surrounding cabinetry.
- Leveler legs and read wheels provide a maximum 3/4" (1.9 cm) of lift.
- Minimum opening height: 34" (86.36 cm). This produces a 3/8" (9.5 mm) reveal above the panel.

Because Whirlpool Corporation policy includes a continuous commitment to improve our products, we reserve the right to change materials and specifications without notice.

Dimensions are for planning purposes only. For complete details, see Installation Instructions packed with product. Specifications subject to change without notice.

## ELECTRICAL REQUIREMENTS

### **⚠ WARNING**



#### **Electrical Shock Hazard**

**Plug into a grounded 3 prong outlet.**

**Do not remove ground prong.**

**Do not use an adapter.**

**Do not use an extension cord.**

**Failure to follow these instructions can result in death, fire, or electrical shock.**

115 V, 60 Hz, AC only, 15 A or 20 A fused, grounded circuit is required. A dedicated circuit is recommended. Use an outlet that cannot be turned off by a switch. Do not use an extension cord.