

TENDER

Installation Instructions
Use and Care Information

Instructions d'installation
Utilisez et d'entretien

Instrucciones de instalación
Información de uso y cuidado

TEND30SSV
TEND36SSV
TEND30BSV
TEND36BSV

READ AND SAVE THESE INSTRUCTIONS BEFORE YOU START INSTALLING THIS RANGEHOOD

WARNING: - TO REDUCE THE RISK OF A RANGE TOP GREASE FIRE:

- a) Never leave surface units unattended at high settings. Boilovers cause smoking and greasy spillovers that may ignite. Heat oils slowly on low or medium setting.
- b) Always turn hood ON when cooking at high heat or when flambeing food (i.e. Crepes Suzette, Cherries Jubilee, Peppercorn Beef Flambé).
- c) Clean ventilating fans frequently. Grease should not be allowed to accumulate on fan or filter.
- d) Use proper pan size. Always use cookware appropriate for the size of the surface element.

WARNING: - TO REDUCE THE RISK OF INJURY TO PERSONS IN THE EVENT OF A RANGE TOP GREASE FIRE, OBSERVE THE FOLLOWING*:

- a) **SMOTHER FLAMES** with a close-fitting lid, cookie sheet, or metal tray, then turn off the burner. **BE CAREFUL TO PREVENT BURNS.** If the flames do not go out immediately **EVACUATE AND CALL THE FIRE DEPARTMENT.**
- b) **NEVER PICK UP A FLAMING PAN** - You may be burned.
- c) **DO NOT USE WATER**, including wet dishcloths or towels - a violent steam explosion will result.
- d) Use an extinguisher **ONLY** if:
 - 1. You know you have a Class ABC extinguisher, and you already know how to operate it.
 - 2. The fire is small and contained in the area where it started.
 - 3. The fire department is being called.
 - 4. You can fight the fire with your back to an exit.

* Based on "Kitchen Firesafety Tips" published by NFPA

WARNING - TO REDUCE THE RISK OF FIRE OR ELECTRIC SHOCK, do not use this fan with any solid-state speed control device.

WARNING - TO REDUCE THE RISK OF FIRE, ELECTRICAL SHOCK, OR INJURY TO PERSONS, OBSERVE THE FOLLOWING:

- 1. Use this unit only in the manner intended by the manufacturer. If you have any questions, contact the manufacturer.
- 2. Before servicing or cleaning unit, switch power off at service panel and lock the service disconnecting means to prevent power from being switched on accidentally. When the service disconnecting means cannot be locked, securely fasten a prominent warning device, such as a tag, to the service panel.

CAUTION: For General Ventilating Use Only. Do Not Use To Exhaust Hazardous or Explosive Materials and Vapors.

WARNING - TO REDUCE THE RISK OF FIRE, ELECTRICAL SHOCK, OR INJURY TO PERSONS, OBSERVE THE FOLLOWING:

- 1. Installation Work And Electrical Wiring Must Be Done By Qualified Person(s) In Accordance With All Applicable Codes And Standards, Including Fire-Rated Construction.
- 2. Sufficient air is needed for proper combustion and exhausting of gases through the flue (chimney) of fuel burning equipment to prevent backdrafting. Follow the heating equipment manufacturer's guideline and safety standards such as those published by the National Fire Protection Association (NFPA), and the American Society for Heating, Refrigeration and Air Conditioning Engineers (ASHRAE), and the local code authorities.

- 3. When cutting or drilling into wall or ceiling, do not damage electrical wiring and other hidden utilities.**
- 4. Ducted fans must always be vented to the outdoors.**

ALL WALL AND FLOOR OPENINGS WHERE THE RANGEHOOD IS INSTALLED MUST BE SEALED.

This rangehood requires at least 24" of clearance between the bottom of the rangehood and the cooking surface or countertop. This hood has been approved by UL at this distance from the cooktop.

This minimum clearance may be higher depending on local building codes. For gas cooktops and combination ranges, a minimum of 30" is recommended and may be required.

Overhead cabinets on both sides of this unit must be a minimum of 18" above the cooking surface or countertop. Consult the cooktop or range installation instructions given by the manufacturer before making any cutouts.

MOBILE HOME INSTALLATION The installation of this rangehood must conform to the Manufactured Home Construction and Safety Standards, Title 24 CFR, Part 3280 (formerly Federal Standard for Mobile Home Construction and Safety, Title 24, HUD, Part 280). See Electrical Requirements.

VENTING REQUIREMENTS

Determine which venting method is best for your application. Ductwork can extend either through the wall or the roof.

The length of the ductwork and the number of elbows should be kept to a minimum to provide efficient performance. The size of the ductwork should be uniform. Do not install two elbows together. Use duct tape to seal all joints in the ductwork system. Use caulking to seal exterior wall or floor opening around the cap.

Flexible ductwork is not recommended. Flexible ductwork creates back pressure and air turbulence that greatly reduces performance.

Make sure there is proper clearance within the wall or floor for exhaust duct before making cutouts. Do not cut a joist or stud unless absolutely necessary. If a joist or stud must be cut, then a supporting frame must be constructed.

WARNING - To Reduce The Risk Of Fire, Use Only Metal Ductwork.

CAUTION - To reduce risk of fire and to properly exhaust air, be sure to duct air outside – Do not vent exhaust air into spaces within walls or ceilings or into attics, crawl spaces, or garages.

Cold Weather installations

An additional back draft damper should be installed to minimize backward cold air flow and a nonmetallic thermal break should be installed to minimize conduction of outside temperatures as part of the vent system. The damper should be on the cold air side of the thermal break. The break should be as close as possible to where the vent system enters the heated portion of the house.



WARNING

- Venting system **MUST** terminate outside the home.
- **DO NOT** terminate the ductwork in an attic or other enclosed space.
- **DO NOT** use 4" laundry-type wall caps.
- Flexible-type ductwork is not recommended.
- **DO NOT** obstruct the flow of combustion and ventilation air.
- Failure to follow venting requirements may result in a fire.

ELECTRICAL REQUIREMENTS

A 120 volt, 60 Hz AC-only electrical supply is required on a separate 15 amp fused circuit. A time-delay fuse or circuit breaker is recommended. The fuse must be sized per local codes in accordance with the electrical rating of this unit as specified on the serial/rating plate located inside the unit near the field wiring compartment.



WARNING

- Electrical ground is required on this rangehood.
- If cold water pipe is interrupted by plastic, nonmetallic gaskets or other materials, DO NOT use for grounding.
- DO NOT ground to a gas pipe.
- DO NOT have a fuse in the neutral or grounding circuit. A fuse in the neutral or grounding circuit could result in electrical shock.
- Check with a qualified electrician if you are in doubt as to whether the rangehood is properly grounded.
- Failure to follow electrical requirements may result in a fire.

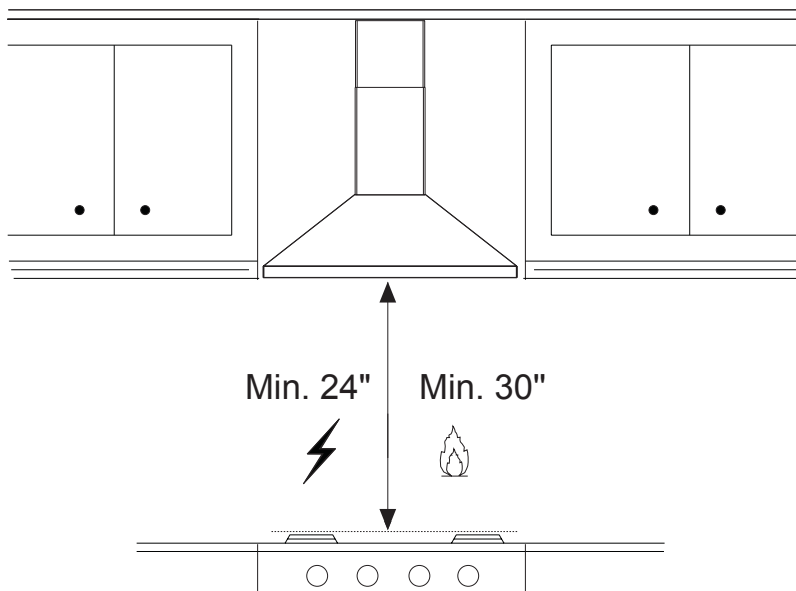
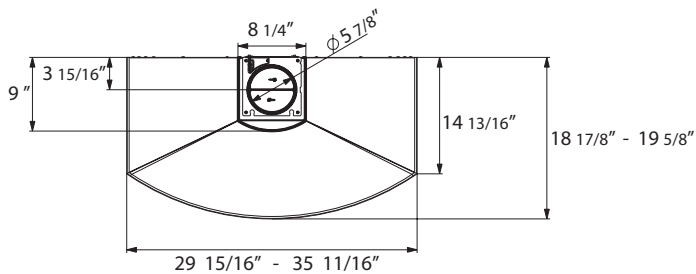
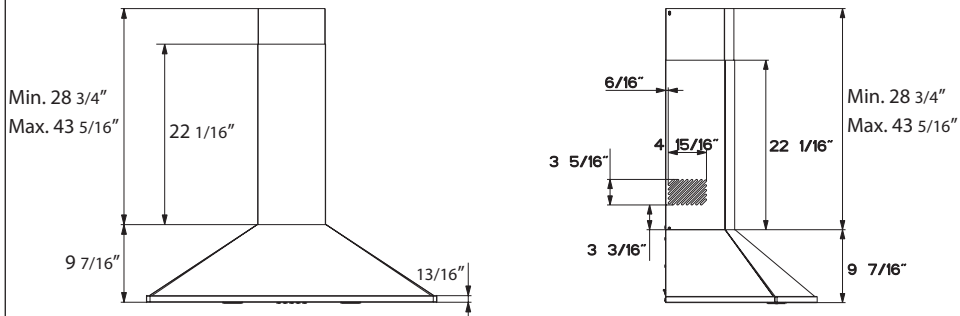
State of California Proposition 65 Warning (US only)

WARNING

This product contains chemicals known to the State of California to cause cancer and birth defects or other reproductive harm.

For more information go to www.P65Warnings.ca.gov

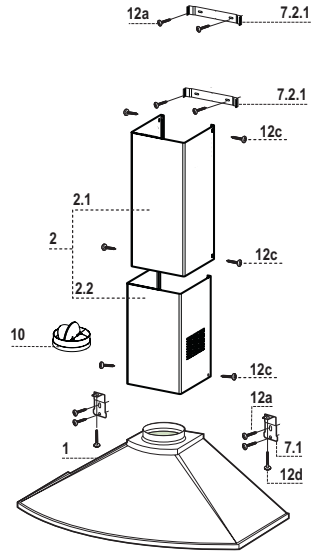
RANGEHOOD DIMENSIONS



MAIN PARTS

Components

Ref.	Qty.	Product Components
1	1	Hood Body, complete with: Controls, Light, Filters, Blower.
2	1	Telescopic Chimney comprising:
2.1	1	Upper Section
2.2	1	Lower Section
10	1	Damper \varnothing 5 7/8"
Ref.	Qty.	Installation Components
7.1	2	Hood Body Fixing Brackets
7.2.1	2	Upper Chimney Section Fixing Bracket
12a	8	Screws 3/16" x 1 3/4"
12c	6	Screws 1/8" x 7/16"
12d	2	Screws 3/16" x 1"
Qty.	Documentation	
1	1	Instruction Manual



Parts needed

- 6" Round Metal ductwork .

Available Accessories

Direct Connect Wiring Box sku # WIREBOX



Activated Charcoal Filter sku # FILTER1

Long Lasting Activated Charcoal Filter sku # FILTER1LL



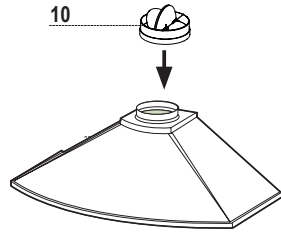
High Ceiling Kit - One Flue -Upper to 11ft. - sku# HIGHTNDR

Ductless Kit - Includes Ductless Diverter, Two Charcoal Filters - sku# DUCTCLPL

Wireless Remote Control-REMCTRL2

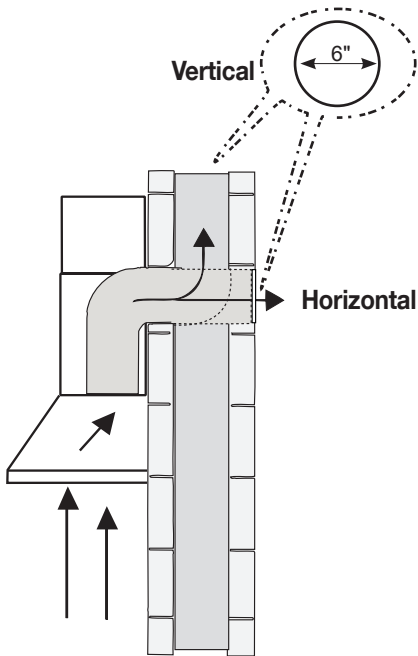
Only for Ducted Venting Installation

Install Damper that is included with the Hood before connecting to the ductwork.



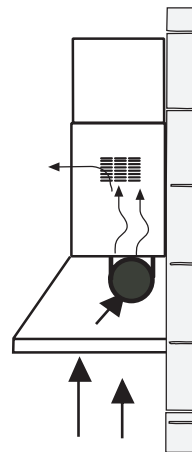
Choose your ducting method

Ducted Venting Installation



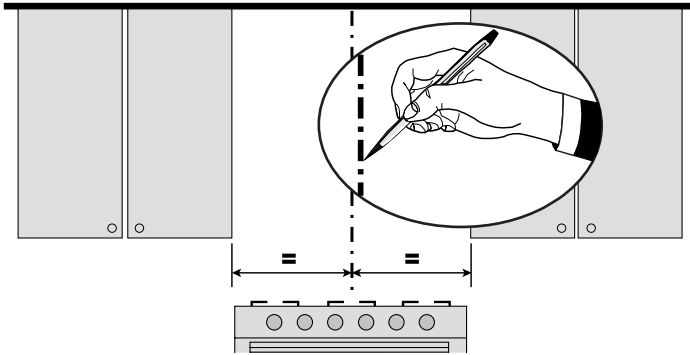
Non Ducted - Recirculation

Requires purchase of Activated Charcoal Accessory



Installation Instructions

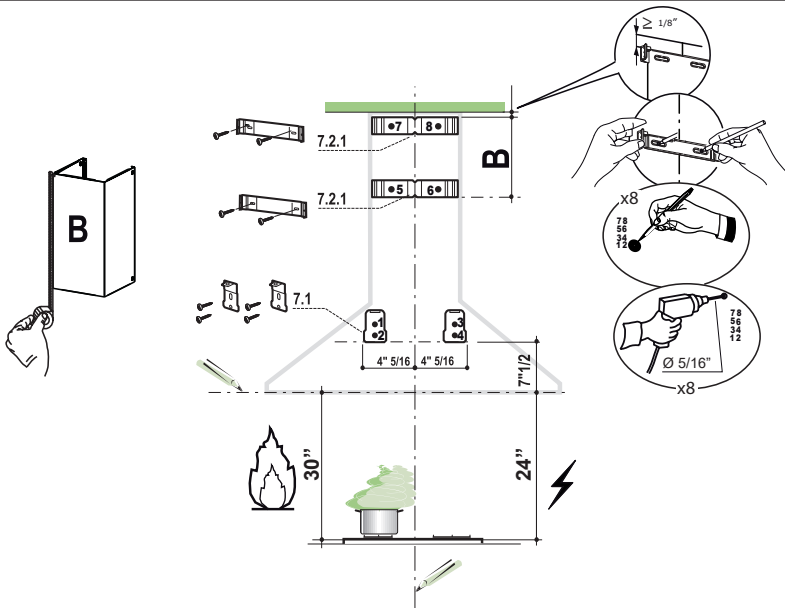
1



Draw a vertical line on the supporting wall as high as practical, at the center of the area in which the hood will be installed.

Draw a horizontal line at where the bottom edge of the hood will be located as indicated in the figure that is a minimum of 24" - 30" above cooking surface.

2



Place a Upper bracket 7.2.1 on the wall as shown about 1/8" from the ceiling or upper limit, aligning the centers(notch) with the vertical reference line and mark the wall at the centers of the holes in the bracket. Place the other bracket 7.2.1 on the wall as shown, below the first bracket, at the height of the upper chimney section supplied and aligning the centers (notch) with the vertical line.

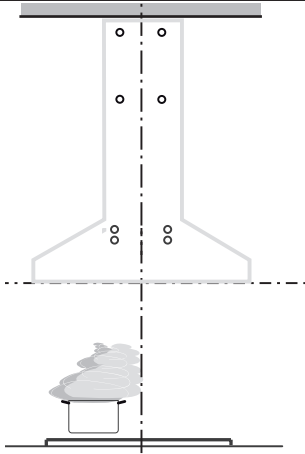
Mark the wall at the centers of the holes in the bracket.

Place bracket 7.1 as shown 4" 5/16" from the vertical reference line and 7" 1/2" above the horizontal reference line.

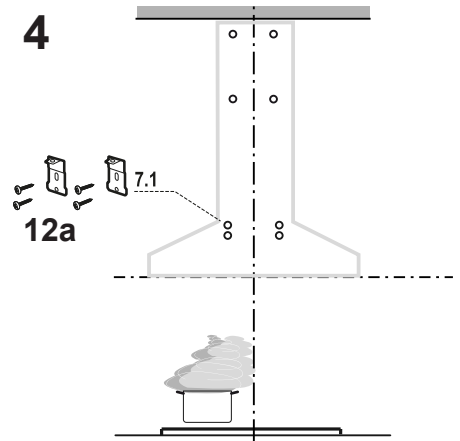
Mark the centres of the holes in the bracket and repeat this operation on the other side.

Drill \varnothing 5/16" holes at all the centers points marked (point 1,2,3,4,5,6,7,8) as shown.

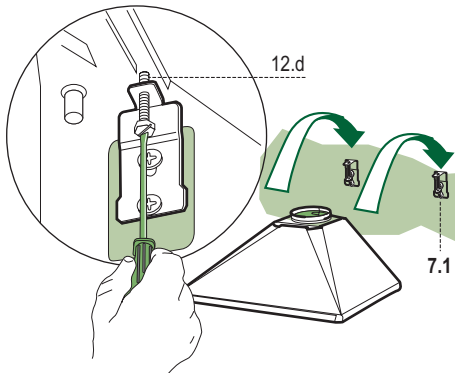
Fix the 2 brackets 7.2.1 using the 12a screws supplied with wall plugs (purchase separately).

3

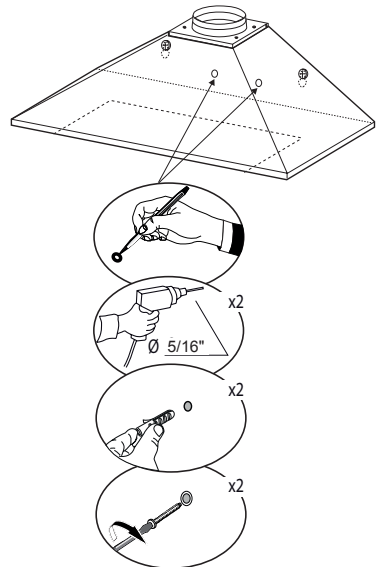
Installation screws provided must be secured with wall plugs (purchase separately).

4

Fix the brackets 7.1 using the 12a screws supplied in the hood body fixing holes as shown.

5

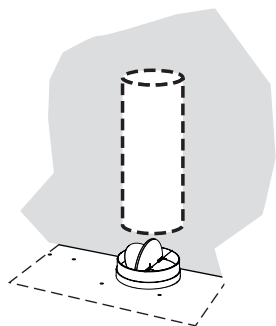
Screw the two screws 12d supplied onto the brackets 7.1.
Hook the hood body onto the bracket 7.1, centering it around the vertical line.
Use the adjusting screws 12d underneath the hood to level the hood body.

6

From inside the Hood body, mark the security hole, drill $\varnothing 5/16''$ where marked, insert 2 wall plugs in the holes and fix with 2 screws 12a.

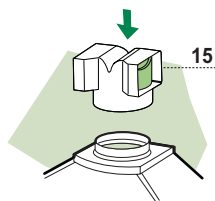
7 Vertical or Horizontal Ducting Installation

Install Roof or Wall Cap purchased separately. Connect the 6" metal ductwork to the Roof or Wall Cap and then attach ductwork.



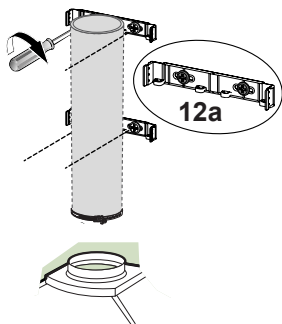
8 Non-Ducted Recirculation Option

Only for the recirculation version, put connection in to the hood body air outlet. Ensure that the activated charcoal filters have been inserted.



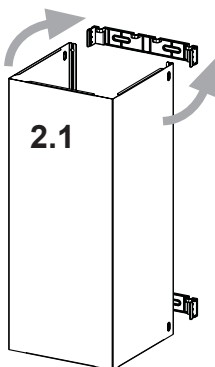
9

Fix the bracket 7.2.1 using the screws 12a supplied.



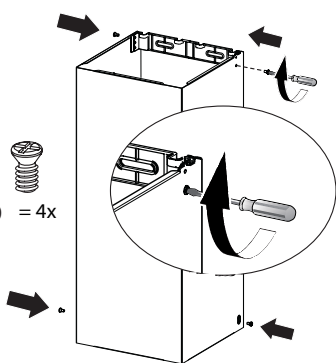
10

Slightly widen the two sides of the upper chimney and hook them behind the brackets 7.2.1, making sure that they are well seated.



11

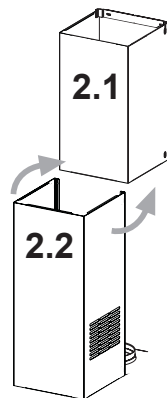
12b = 4x



Secure the sides to the brackets by using the 4 screws 12b.

12

Slightly widen the two sides of the lower section and hook them between the upper section and the wall, making sure that they are properly housed.



13

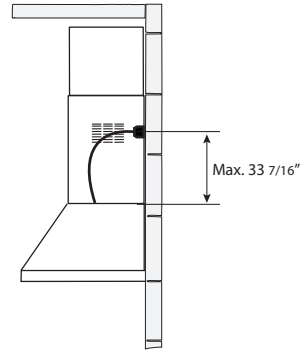
ELECTRICAL INSTALLATION WITH CONNECTION CABLE

GROUNDING INSTRUCTIONS This appliance must be grounded. In the event of an electrical short circuit, grounding reduces the risk of electric shock by providing an escape wire for the electric current. This appliance is equipped with a cord having a grounding wire with a grounding plug. The plug must be plugged into an outlet that is properly installed and grounded.

WARNING - Improper grounding can result in a risk of electric shock.

Consult a qualified electrician if the grounding instructions are not completely understood, or if doubt exists as to whether the appliance is properly grounded.

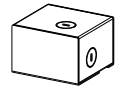
Do not use an extension cord. If the power supply cord is too short, have a qualified electrician install an outlet near the appliance.



ELECTRICAL INSTALLATION WITH OPTIONAL WIRING BOX

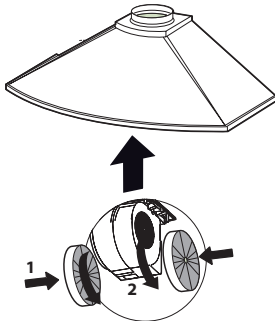
For Permanent wiring Installation-Use only with Listed rangehood Wiring Box kit sku # WIREBOX, manufactured by Faber.

Direct Connect Wiring Box
Accessory sku # WIREBOX
(purchased separately)



14 For Non-Ducted Recirculation Option

Attach each charcoal filter to the black grid on each side of the blower. Press the charcoal filter tightly to the black

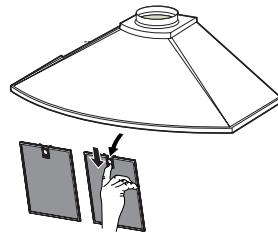


grid on the blower side and rotate the filter clockwise (towards the front of the hood) until it locks into place. Turn counterclockwise (towards the back of the hood) to remove.

Required Activated Charcoal Filter Accessory
- sku # - FILTER1
Long Lasting Activated Charcoal Filter
Accessory - sku # FILTER1LL
(purchased separately)



15

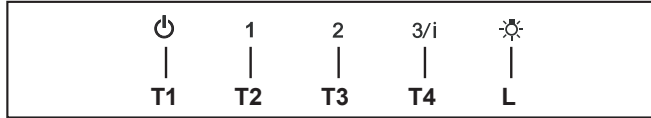


Replace the grease filters removed previously.

USE AND CARE INFORMATION

For Best Results

Start the rangehood several minutes before cooking to develop proper airflow. Allow the rangehood to operate for several minutes after cooking is complete to clear all smoke and odors from the kitchen.



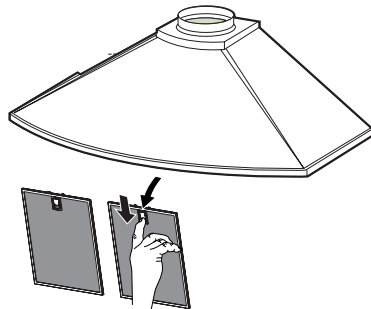
- T1.** Fan off button: turn the blower Off. The fan can be operated by pressing any of the fan setting buttons. Hold down this button for 2 seconds to activate Delay off function which will keep the fan on for 15 minutes and automatically shut off.
- T2.** Fan settings buttons: Low speed.
- T3.** Fan settings buttons: Medium speed.
- T4.** Fan settings buttons: High speed / Intensive speed.
Hold down the button for 2 seconds to activate the intensive speed, which is timed to run for 6 minutes. At the end of this time it will automatically return to the speed set before. Suitable to deal with maximum levels of cooking fumes.
- L.** Light button: On/Off switch for the lights.

NOTE: If your product has had a CFM adjustment, refer to the CFM adjustment manual for the information. Some motor speeds or functions may be reduced.

Cleaning metal grease filters

The filters must be cleaned every 2 months of operation, or more frequently for particularly heavy usage, and can be washed in a dishwasher.

- Remove the Filters one at a time, pushing them towards the back of the unit and at the same time pulling downward.
- Wash the Filters without bending them, and leave them to dry completely before replacing. (If the surface of the filter changes colour as time goes by, this will have absolutely no effect on the efficiency of the filter itself.)
- Replace, taking care to ensure that the handle faces forwards.
- No water can be present in filters before installing back in hood.

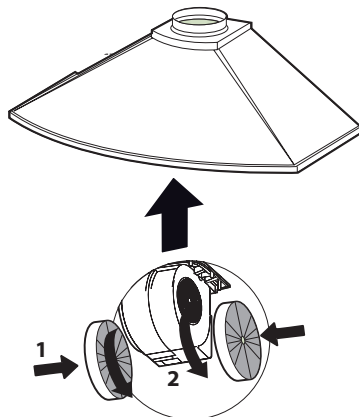


Replacing Activated Charcoal Filter

The filter is not washable and cannot be regenerated, and must be replaced approximately every 4 months of operation, or more frequently for particularly heavy usage.

- Remove the Filters one at a time, pushing them towards the back of the unit and at the same time pulling downward.
- Remove the saturated charcoal filter by releasing the fixing hooks.
- Fit the new filter and fasten it in its correct position.
- Replace, taking care to ensure that the handle faces forwards.

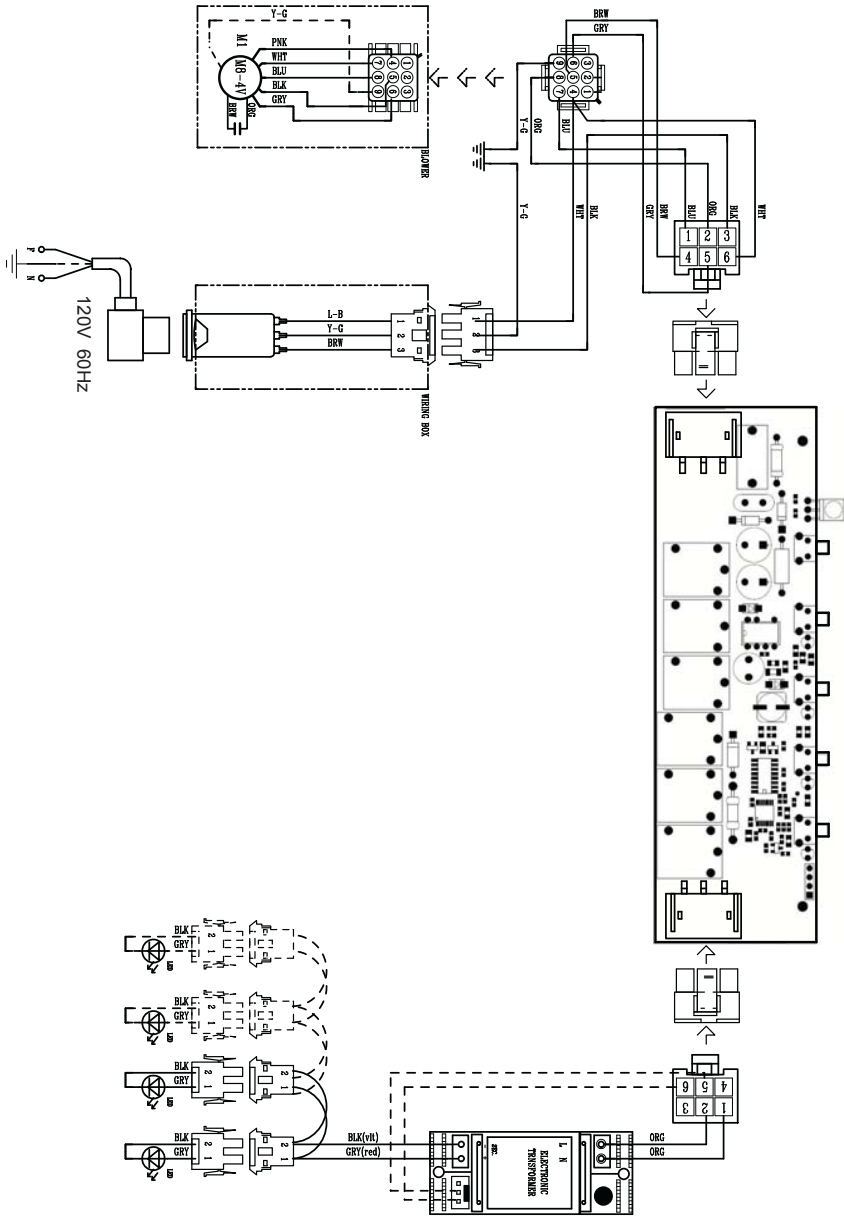
CAUTION: When used in recirculation mode, to Reduce the Risk of Fire and Shock use only conversion kit Model FILTER 1 or FILTER1LL.



LED LIGHTING UNIT

- LED lights must be replaced by Faber factory authorized service.

Wiring Diagram





FABER CONSUMER WARRANTY & SERVICE

All Faber products are warranted against any defect in materials or workmanship for the original purchaser for a period of 1 year from the date of original purchase (requires proof of purchase). This warranty covers labor and replacement parts. Faber, at its option, may repair or replace the product or components necessary to restore the product to good working condition. To obtain warranty service, contact the dealer from whom you purchased the range hood, or the local Faber distributor. If you cannot identify a local Faber distributor, contact us at (508) 358-5353 for the name of a distributor in your area.

The following is not covered by Faber's warranty:

1. Service calls to correct the installation of your range hood, to instruct you how to use your range hood, to replace or repair house fuses or to correct house wiring or plumbing.
2. Service calls to repair or replace range hood light bulbs, fuses or filters. Those consumable parts are excluded from warranty coverage.
3. Repairs when your range hood is used for other than normal, single-family household use.
4. Damage resulting from accident, alteration, misuse, abuse, fire, flood, acts of God, improper installation, installation not in accordance with electrical or plumbing codes or Faber documentation, or use of products not approved by Faber.
5. Replacement parts or repair labor costs for units operated outside the United States or Canada, including any non-UL or C-UL approved Faber range hoods.
6. Repairs to the hood resulting from unauthorized modifications made to the range hood.
7. Expenses for travel and transportation for product service in remote locations and pickup and delivery charges. Faber range hoods should be serviced in the home.

THIS WARRANTY DOES NOT ALLOW RECOVERY OF INCIDENTAL OR CONSEQUENTIAL DAMAGES, INCLUDING, WITHOUT LIMITATION, DIRECT, INDIRECT, INCIDENTAL, SPECIAL OR CONSEQUENTIAL DAMAGES, PERSONAL INJURY/WRONGFUL DEATH OR LOST PROFITS. FABER WARRANTY IS LIMITED TO THE ABOVE CONDITIONS AND TO THE WARRANTY PERIOD SPECIFIED HEREIN AND IS EXCLUSIVE. EXCEPT AS EXPRESSLY SPECIFIED IN THIS AGREEMENT, FABER DISCLAIMS ALL EXPRESS OR IMPLIED CONDITIONS, REPRESENTATIONS, AND WARRANTIES INCLUDING, WITHOUT LIMITATION, ANY IMPLIED WARRANTIES OF MERCHANTABILITY OR FITNESS FOR A PARTICULAR PURPOSE.

This warranty gives you specific legal rights that may vary from state to state.

Model#: _____

Serial #: _____

January 4, 2016

VEUILLEZ LIRE ET CONSERVER LA PRÉSENTE NOTICE AVANT DE COMMENCER L'INSTALLATION DE LA HOTTE DE CUISINE

AVERTISSEMENT:-POUR RÉDUIRE LE RISQUE D'UN FEU DE GRAISSE SUR LA TABLE DE CUISSON :

- a) Ne laissez jamais sans surveillance les éléments de la surface de cuisson à température élevée. Les bouillonnements excessifs peuvent provoquer de la fumée et les débordements de graisse peuvent s'enflammer. L'huile doit être chauffée lentement, à une température basse ou moyenne.
- b) Assurez-vous de toujours mettre en marche le ventilateur de la hotte lorsque vous cuisinez à température élevée ou préparez un mets flambé (p.ex. crêpes Suzette, cerises jubilé, bœuf flambé).
- c) Nettoyez régulièrement les ventilateurs d'aspiration. Assurez-vous de ne pas laisser de la graisse s'accumuler sur le ventilateur ou le filtre.
- d) Utilisez toujours des poêles et casseroles de la taille appropriée. Utilisez toujours des ustensiles de cuisine de la taille adaptée à celle de l'élément chauffant.

AVERTISSEMENT : - POUR PRÉVENIR LES BLESSURES EN CAS DE FEU DE GRAISSE SUR LA TABLE DE CUISSON, SUIVEZ LES RECOMMANDATIONS SUIVANTES* :

- a) **ÉTOUFFEZ LES FLAMMES** à l'aide d'un couvercle hermétique, d'une plaque à biscuits ou d'un plateau métallique, puis éteignez le brûleur. **FAITES ATTENTION AUX BRÛLURES.** Si le feu ne s'éteint pas immédiatement, **QUITTEZ LES LIEUX ET APPELEZ LES POMPIERS.**
- b) **NE PRENEZ JAMAIS UNE CASSEROLE EN FLAMME** - Vous pourriez vous brûler.
- c) **N'UTILISEZ JAMAIS DE L'EAU**, ni un linge à vaisselle ou un torchon mouillé, pour éteindre le feu. Cela pourrait provoquer une violente explosion de vapeur.
- d) Utilisez un extincteur **UNIQUEMENT** si :
 1. Vous êtes certain qu'il s'agit d'un extincteur de classe ABC et que vous connaissez bien son mode d'emploi.
 2. Le feu est de faible intensité et se limite à l'endroit où il a démarré.
 3. Les pompiers ont déjà été appelés.
 4. Une voie de sortie se trouve derrière vous pendant que vous éteignez les flammes

* D'après le guide « Kitchen Firesafety Tips » publié par la NFPA aux États-Unis

AVERTISSEMENT - POUR RÉDUIRE LE RISQUE D'INCENDIE OU DE CHOC ÉLECTRIQUE, n'utilisez jamais ce ventilateur en association avec un dispositif de réglage de vitesse à semi-conducteurs.

AVERTISSEMENT - POUR RÉDUIRE LES RISQUES D'INCENDIE, DE CHOC ÉLECTRIQUE OU DE BLESSURE CORPORELLE, RESPECTEZ LES INSTRUCTIONS SUIVANTES :

1. Utilisez cet appareil uniquement de la façon prévue par le fabricant. Pour toute question, communiquez avec le fabricant.
2. Avant de procéder à l'entretien ou au nettoyage de l'appareil, coupez l'alimentation au niveau du panneau électrique et verrouillez-le pour vous assurer que l'électricité n'est pas rétablie accidentellement. S'il n'est pas possible de verrouiller le dispositif d'interruption de l'alimentation, affichez de façon ferme et bien visible un avis de danger, par exemple à l'aide d'une étiquette sur le panneau.

ATTENTION : Destiné à un usage de ventilation générale uniquement. N'utilisez pas ce dispositif pour l'aspiration de vapeurs ou de matériaux dangereux ou explosifs.

AVERTISSEMENT - POUR RÉDUIRE LES RISQUES D'INCENDIE, DE CHOC ÉLECTRIQUE OU DE BLESSURE CORPORELLE, RESPECTEZ LES INSTRUCTIONS SUIVANTES :

1. L'installation et le branchement électrique doivent être réalisés par un technicien qualifié et conformément à tous les codes et normes en vigueur, incluant ceux concernant la construction à l'épreuve du feu.
2. Afin de garantir une combustion et une évacuation adéquates des gaz par les conduites de la cheminée des appareils à combustion, une bonne aération est nécessaire pour éviter le refoulement. Respectez les lignes directrices fournies par le fabricant du matériel chauffant, ainsi que les normes de sécurité comme celles publiées par la National Fire Protection Association (NFPA) et la American Society for Heating, Refrigeration and Air Conditioning Engineers (ASHRAE) aux États-Unis, ainsi que les codes en vigueur dans votre région.

3. Lorsque vous faites une ouverture ou percez dans un mur ou le plafond, veillez à ne pas endommager les fils électriques ou d'autres dispositifs cachés.
4. Les ventilateurs canalisés doivent toujours être raccordés à l'extérieur.

TOUTE OUVERTURE DANS LE MUR OU LE PLANCHER À PROXIMITÉ DE LA HOTTE DOIT ÊTRE SCELLÉE.

Un espace libre d'au moins 24" est requis entre le bas de la hotte et la surface de cuisson ou le comptoir. Cette hotte a été homologuée par l'UL à cette distance de la surface de cuisson. L'espace libre minimal requis peut-être plus grand, selon la réglementation en matière de construction de votre région. Pour les cuisinières à gaz et les cuisinières combinées, un espace minimal de 30" est recommandé et pourrait être exigé.

Les armoires suspendues de chaque côté de l'appareil doivent se trouver à au moins 18" de la surface de cuisson ou du comptoir. Consultez la notice d'installation de la surface de cuisson ou de la cuisinière fournie par le fabricant avant de pratiquer des ouvertures.

INSTALLATION DANS UNE MAISON MOBILE L'installation de cette hotte doit être conforme à la Partie 3280 de la norme Manufactured Home Construction and Safety Standards, Title 24 CFR (précédemment la partie 280 de la norme Federal Standard for Mobile Home Construction and Safety, Title 24, HUD). Consultez la fiche technique électrique.

CRITÈRES DE VENTILATION

Déterminez quelle méthode de ventilation est mieux adaptée à votre application. Les conduits peuvent passer par le mur ou le toit.

Pour garantir une meilleure efficacité, la longueur des conduits et le nombre de coudes doivent être le plus limités que possible. Le diamètre des conduits devrait être uniforme. N'installez pas deux coudes ensemble. Utilisez un ruban pour canalisations afin de sceller tous les joints du système de conduits. Utilisez un calfeutrage pour sceller les ouvertures dans le mur extérieur ou le plancher, autour du clapet.

Il n'est pas recommandé d'utiliser des conduits flexibles. Les conduits flexibles provoquent une contre-pression et de la turbulence qui diminuent grandement l'efficacité de l'appareil.

Assurez-vous que l'espace libre dans le mur ou le plancher est suffisant pour le conduit d'évacuation avant de pratiquer les ouvertures. Ne coupez jamais une poutre ou un chevron, sauf si c'est absolument nécessaire. S'il s'avère nécessaire de couper une poutre ou un chevron, la construction d'un renforcement est requise.

AVERTISSEMENT - Pour réduire le risque d'incendie, utilisez uniquement des conduits métalliques.

ATTENTION - Pour réduire le risque d'incendie et pour évacuer adéquatement l'air, assurez-vous de raccorder les conduits à l'extérieur – Ne diffusez pas l'air d'évacuation dans des espaces à l'intérieur des murs ou du plafond, ou encore à l'intérieur d'un grenier, d'une galerie technique ou d'un garage.

Installation dans les climats froids

Le système de ventilation doit prévoir un registre antirefoulement supplémentaire pour réduire le flux d'air froid inverse, ainsi qu'une barrière thermique non métallique pour réduire la conduction des températures extérieures. Le registre doit être installé du côté air froid par rapport à la barrière thermique. La barrière thermique doit être positionnée le plus près que possible de l'endroit où le système de ventilation pénètre dans la partie chauffée de la maison.



AVERTISSEMENT

- Le système de ventilation DOIT déboucher à l'extérieur.
- **NE FAITES PAS** déboucher les conduits dans un grenier ou un autre endroit fermé.
- **N'UTILISEZ PAS** un clapet de sècheuse mural de 4 po.
- Il n'est pas recommandé d'utiliser des conduits flexibles.
- **N'ENTRAVEZ PAS** le flux de l'air de combustion et de ventilation.
- Le non-respect des exigences en matière de ventilation pourrait entraîner un incendie.

FICHE TECHNIQUE ÉLECTRIQUE

Une alimentation de courant alternatif de 120 volt à 60 Hz est requise sur un circuit à fusible distinct de 15 ampères. Il est recommandé d'installer un fusible temporisé ou un disjoncteur. Le fusible doit être calibré conformément aux codes en vigueur pour les caractéristiques nominales électriques de l'appareil, indiquées sur la plaque signalétique située à l'intérieur de l'appareil, à proximité du compartiment des câblages externes.



AVERTISSEMENT

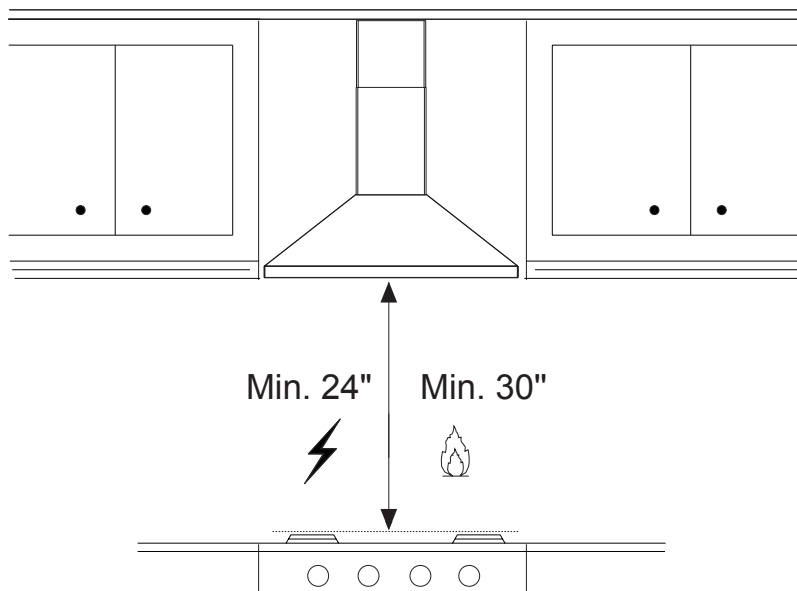
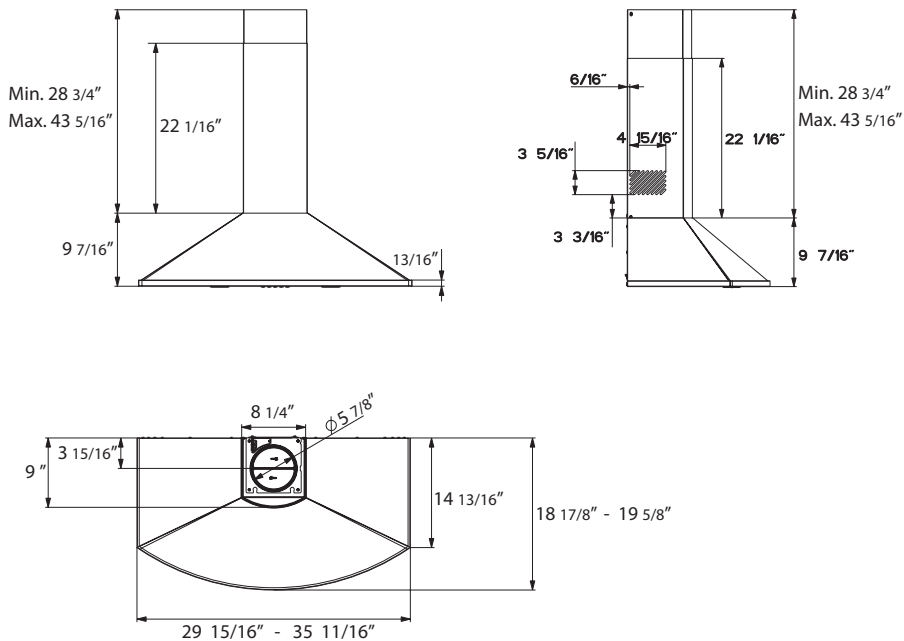
- Une mise à la terre électrique est requise pour cette hotte.
- N'UTILISEZ PAS un tuyau d'eau froide pour la mise à la terre si celui-ci est branché par des joints en plastique, par des rondelles non métalliques ou d'autres matériaux.
- N'UTILISEZ PAS une conduite de gaz pour la mise à la terre.
- N'INSTALLEZ PAS un fusible sur le circuit neutre ou le circuit de mise à la terre. La présence d'un fusible dans le circuit neutre ou de mise à la terre peut entraîner un choc électrique.
- Consultez un électricien qualifié si vous n'êtes pas certain de la mise à la terre de la hotte.
- Le non-respect des exigences de la fiche technique électrique pourrait entraîner un incendie.

Avertissement de la proposition 65 de l'État de Californie (US seulement)

⚠ ATTENTION

Ce produit contient des produits chimiques connus de l'État de Californie pour causer le cancer et des malformations congénitales ou d'autres problèmes de reproduction. Pour plus d'informations, visitez www.P65Warnings.ca.gov

DIMENSIONS DE LA HOTTE

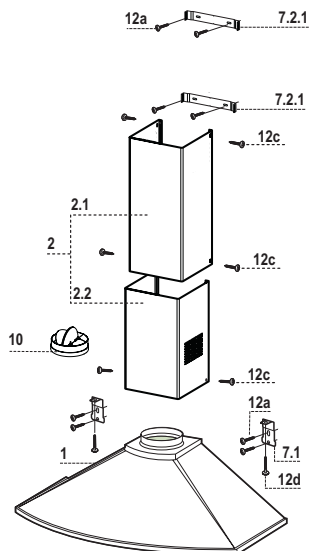


PIÈCES PRINCIPALES

Composants

Réf.	Qté	Composants du produit
1	1	Bâti de la hotte, avec : Com- mandes, éclairages, filtres, ventilateur.
2	1	Cheminée télescopique comprenant :
2.1	1	Section supérieure
2.2	1	Section inférieure
10	1	Registre \varnothing 5 7/8"

Réf.	Qté	Composants d'installation
7.1	2	Brides de fixation du bâti de la hotte
7.2.1	2	Brides de fixation de la section supérieure de la cheminée
12a	8	Vis 3/16" x 1 3/4"
12c	6	Vis 1/8" x 7/16"
12d	2	Vis 3/16" x 1"
Qté	Documentation	
1	Mode d'emploi	



Pièces requises

- Conduit métallique 6" circulaire.

Accessoires disponibles

Boîtier de connexion directe, no d'article WIREBOX



Filtre à charbon actif No d'article FILTER1

Filtre à charbon actif de longue durée No d'article FILTER1LL



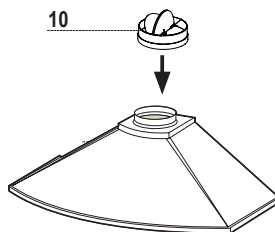
Trousse de cheminée pour plafonds hauts - un conduit (supérieur) - jusqu'à 11 pi - No d'article HIGHTNDR

Trousse sans conduit - Comprend déflecteur de recyclage, deux filtres à charbon - No d'article DUCTCLPL

Télécommande sans fil-REMCTRL2

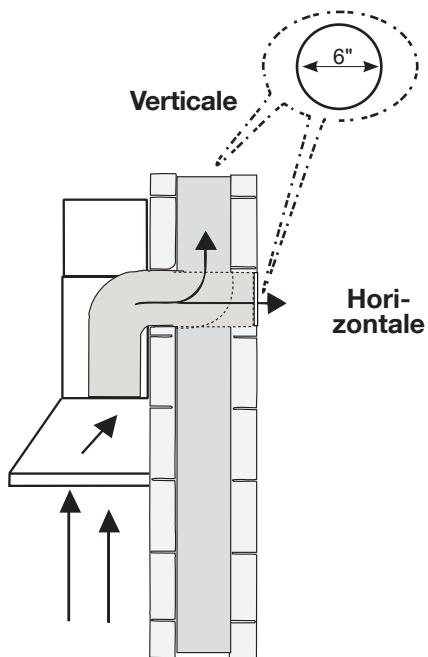
Pour installation avec ventilation canalisée uniquement

Installez le registre inclus avec la hotte avant de la raccorder aux conduits.



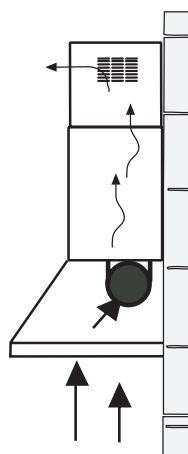
Choisissez la méthode de canalisation

Installation avec ventilation canalisée



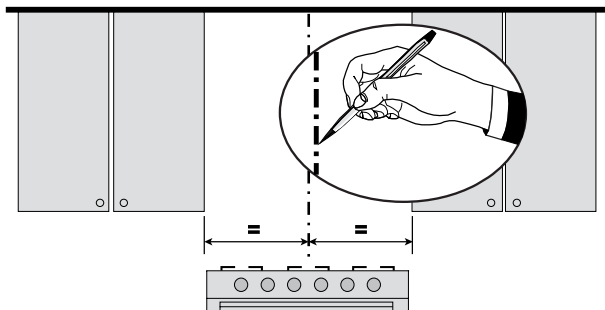
Sans canalisation - recirculation

Exige l'achat de l'accessoire à charbon actif



Notice d'installation

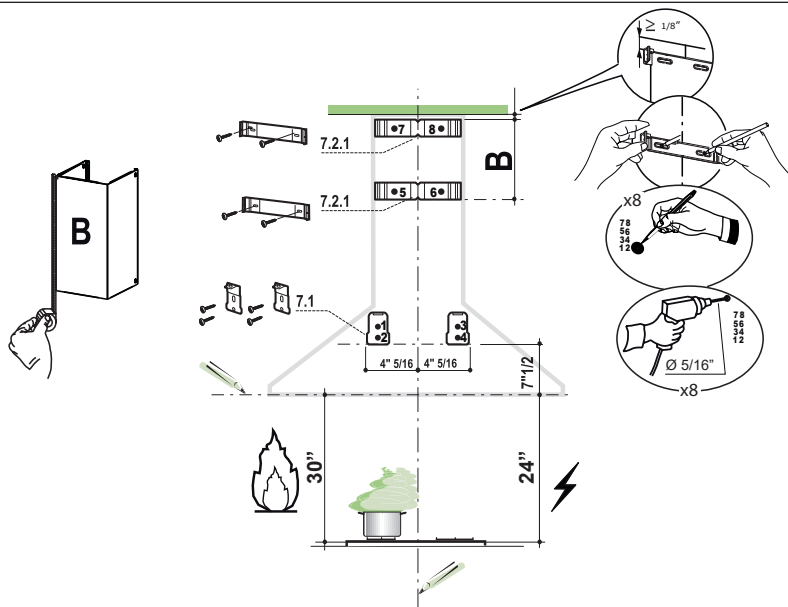
1



Tracez une ligne verticale sur le mur d'appui le plus haut que possible, au centre de l'emplacement où la hotte sera installée.

Tracez une ligne horizontale à l'endroit correspondant au bas de la hotte comme représenté dans l'illustration. Cet emplacement doit se trouver à au moins 24" - 30" de la surface de cuisson.

2



Placez la bride supérieure 7.2.1 sur le mur comme illustré, à environ 1/8" du plafond ou de la limite supérieure, en alignant les centres (encoche) avec la ligne de référence verticale. Marquez l'emplacement du centre des trous de la bride sur le mur.

Placez la bride 7.2.1 sur le mur comme illustré, sous la première bride, à la hauteur de la section supérieure de la cheminée fournie et alignez le centre (encoche) avec la ligne verticale.

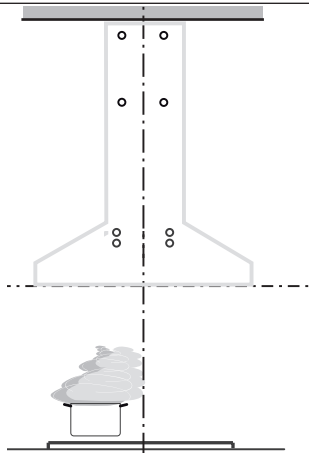
Marquez l'emplacement du centre des trous de la bride sur le mur.

Placez la bride 7.1 comme illustré à 4" 5/16 de la ligne de référence verticale et 7" 1/2 au-dessus de la ligne de référence horizontale.

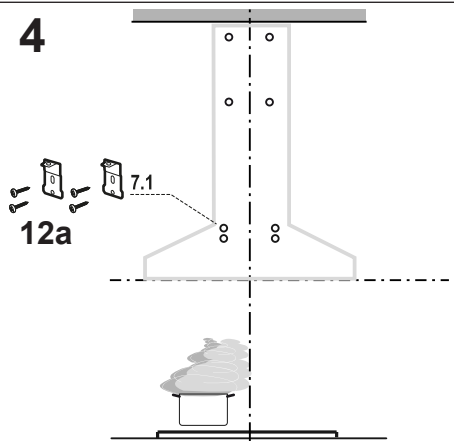
Marquez l'emplacement du centre des trous de la bride et répétez l'opération de l'autre côté.

Percez des trous de \varnothing 5/16" au centre des repères (points 1, 2, 3, 4, 5, 6, 7, 8), comme illustré.

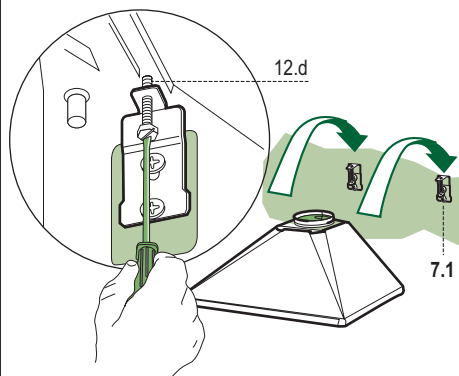
Fixez les brides 7.2.1 à l'aide des vis 12a fournies et de chevilles (achetées séparément).

3

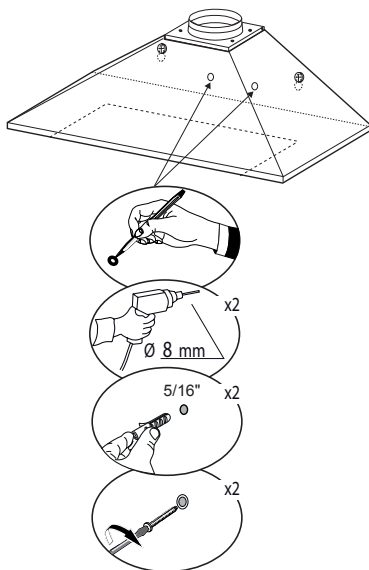
Les vis d'installation fournies doivent être renforcées par des chevilles (achetées séparément).

4

Fixez les brides 7.1 en posant les vis 12a fournies dans les trous de fixation du bâti de la hotte, comme illustré.

5

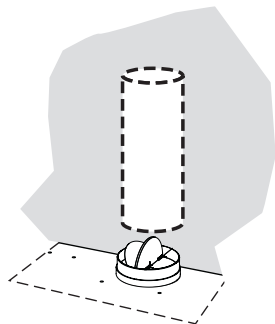
Posez les deux vis 12d sur les brides 7.1. Engagez le bâti de la hotte sur la bride 7.1, en le centrant autour de la ligne verticale. Utilisez les vis de réglage 12d sous la hotte pour mettre à niveau le bâti de la hotte.

6

À l'intérieur du bâti de la hotte, marquez l'emplacement du trou de la vis d'ancrage, percez un trou de $\varnothing 5/16''$ à l'endroit marqué, insérez 2 chevilles dans les trous et fixez le bâti à l'aide de 2 vis 12a.

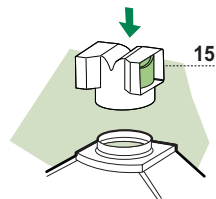
7 Installation avec canalisation verticale ou horizontale

Installez le clapet de toiture ou le clapet mural acheté séparément. Raccordez le conduit métallique de 6" au clapet de toiture ou au clapet mural, puis raccordez les conduits.



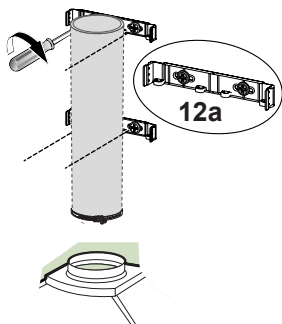
8 Option non canalisée avec recirculation d'air

Pour la version à recirculation d'air uniquement, placez le branchement de sortie d'air sur la sortie de la hotte. Assurez-vous que les filtres à charbon actif ont été installés.



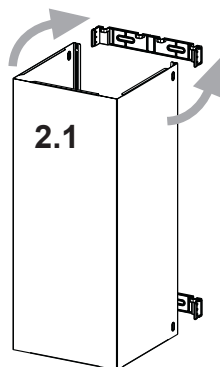
9

Fixez la bride 7.2.1 à l'aide des vis 12a fournies.



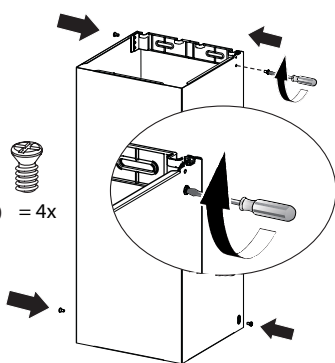
10

Écartez légèrement les deux côtés de la cheminée supérieure et engagez-les derrière les brides 7.2.1, en vous assurant qu'ils sont solidement ancrés.



11

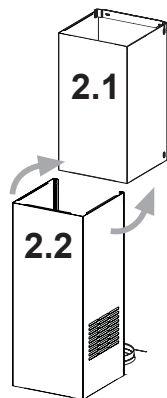
12b = 4x



Fixez les côtés aux brides à l'aide des 4 vis 12b.

12

Écartez légèrement les deux côtés de la section inférieure et assemblez-les entre la section supérieure et le mur, en vous assurant qu'ils sont correctement installés.

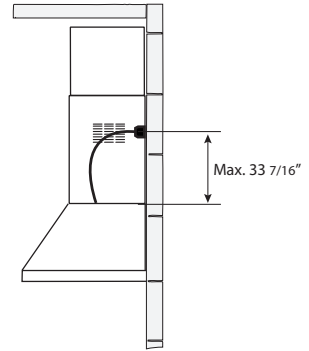


13

INSTALLATION ÉLECTRIQUE AVEC CÂBLE DE CONNEXION

INSTRUCTIONS DE MISE À LA TERRE Cet appareil doit être mis à la terre. La mise à la terre réduit le risque de choc électrique en cas de court-circuit, car elle fournit un fil d'évacuation au courant électrique. Cet appareil est muni d'un cordon présentant un fil de mise à la terre, avec une fiche de mise à la terre. La fiche doit être insérée dans une prise correctement installée et mise à la terre. **AVERTISSEMENT** - Une mise à la terre inadéquate peut entraîner un choc électrique.

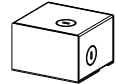
Consultez un électricien qualifié si vous ne comprenez pas parfaitement les instructions de mise à la terre ou si vous avez des doutes quant à la mise à la terre de l'appareil. N'utilisez pas de rallonge. Si le cordon d'alimentation est trop court, demandez à un électricien qualifié d'installer une prise à proximité de l'appareil.



INSTALLATION ÉLECTRIQUE AVEC BOÎTIER DE CONNEXION EN OPTION

Pour une installation avec connexion fixe, utilisez uniquement la trousse de boîtier de connexion pour hotte indiquée, no d'article WIREBOX, fabriquée par Faber.

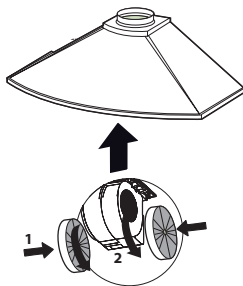
Boîtier de connexion directe, no d'article WIREBOX (acheté séparément)



14

Pour option non canalisée avec recirculation d'air

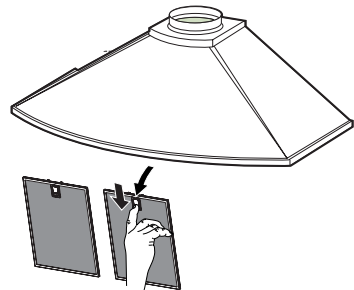
Fixez les filtres à charbon à la grille noire de chaque côté du ventilateur. Pressez fermement le filtre à charbon contre la grille noire de chaque côté du ventilateur et faites tourner le filtre dans le sens des aiguilles d'une montre (vers l'avant de la hotte) jusqu'à ce qu'il soit verrouillé en place. Faites tourner dans le sens contraire des aiguilles d'une montre (vers l'arrière de la hotte) pour l'enlever.



Filter à charbon actif accessoire requis - no d'article - FILTER1
Filter à charbon actif de longue durée# FILTER1LL (acheté séparément)



15

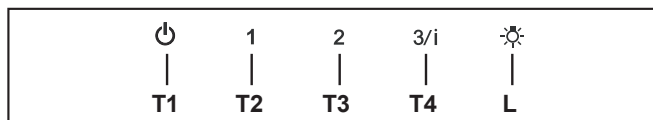


Remplacez les filtres à graisse enlevés précédemment.

INFORMATIONS POUR L'UTILISATION ET L'ENTRETIEN

Pour de meilleurs résultats

Activez la hotte quelques minutes avant de commencer à cuisiner pour créer un flux d'air adéquat. Laissez la hotte fonctionner quelques minutes après avoir fini de cuisiner pour absorber toute la fumée et les odeurs de la cuisine.



T1. Bouton arrêt du ventilateur : éteint le ventilateur. Le ventilateur peut être allumé en appuyant sur l'un ou l'autre des boutons de réglage.

Tenez ce bouton enfoncé pendant 2 secondes pour activer la fonction de désactivation retardée, qui éteindra automatiquement le ventilateur après 15 minutes de marche.

T2. Boutons de réglage du ventilateur : vitesse réduite.

T3. Boutons de réglage du ventilateur : vitesse moyenne.

T4. Boutons de réglage du ventilateur : vitesse élevée / vitesse intensive.

Tenez le bouton enfoncé pendant environ 2 secondes pour activer la vitesse intensive, pour une durée de 6 minutes. Après ce délai, la vitesse retournera automatiquement à la vitesse sélectionnée précédemment. Utile pour contrer les émanations maximales de cuisson.

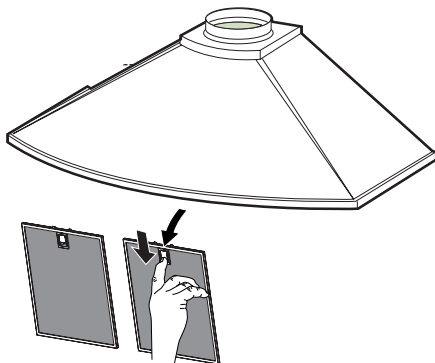
L. Bouton pour l'éclairage: commutateur marche/arrêt pour l'éclairage.

REMARQUE: Si votre produit a subi un réglage CFM, reportez-vous au manuel de réglage CFM pour plus d'informations. Certaines vitesses de moteur des fonctions peuvent être réduites.

Nettoyage des filtres à graisse métalliques

Les filtres doivent être nettoyés tous les 2 mois d'utilisation, ou plus fréquemment en cas d'utilisation particulièrement intensive. Ils peuvent être lavés dans le lave-vaisselle.

- Retirez les filtres un à un, en les poussant vers l'arrière de l'appareil et en les tirant vers le bas simultanément.
- Lavez les filtres sans les plier et laissez-les sécher complètement avant de les remettre en place. (Si la surface du filtre change de couleur au fil du temps, cela n'aura aucun impact sur l'efficacité du filtre même.)
- Remettez-le en place, en vous assurant que la poignée se trouve vers l'avant.
- Aucune eau ne peut être présente dans les filtres avant la réinstallation dans la hotte.

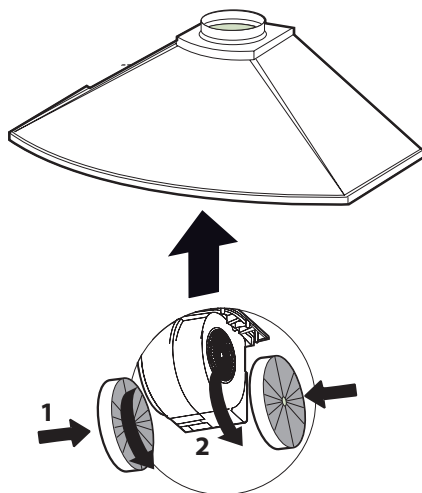


Remplacement du filtre à charbon actif

Le filtre n'est pas lavable et ne peut pas être régénéré. Il doit être remplacé environ tous les 4 mois d'utilisation, ou plus souvent en cas d'utilisation particulièrement intensive.

- Retirez les filtres un à un, en les poussant vers l'arrière de l'appareil et en les tirant vers le bas simultanément.
- Retirez le filtre à charbon saturé en détachant les crochets de fixation.
- Posez le nouveau filtre et fixez-le à l'emplacement adéquat.
- Remettez-le en place, en vous assurant que la poignée se trouve vers l'avant.

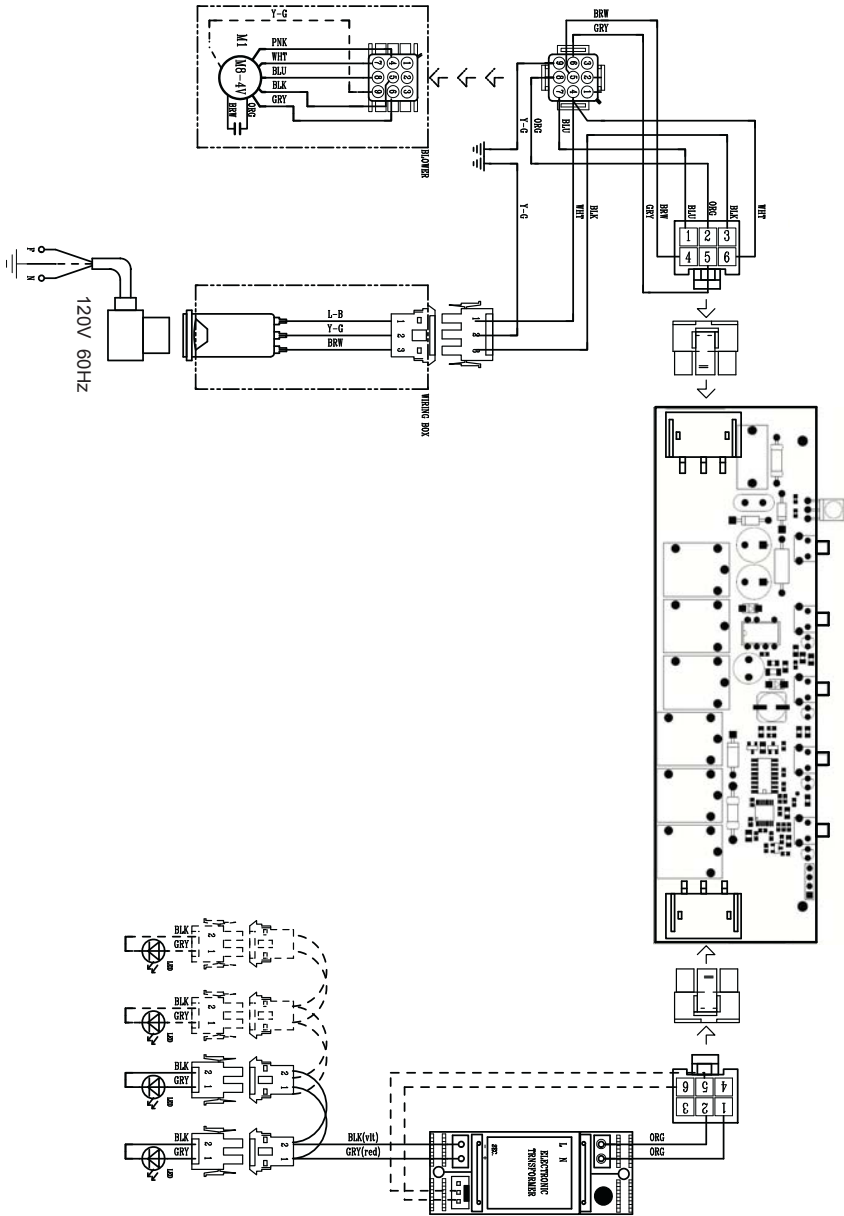
ATTENTION: Pour réduire le risque d'incendie ou de choc électrique lorsque l'appareil est utilisé en mode recyclage, utilisez uniquement le modèle FILTER 1 ou FILTER1LL en guise de trousse de conversion.



Système D'éclairage À Del

- Les ampoules DEL doivent être remplacées par un service d'entretien autorisé Faber.

Schéma de câblage





GARANTIE LIMITÉE ET SERVICE FABER

Tous les produits Faber font l'objet d'une garantie contre les défauts de matériel et de main-d'œuvre, accordée à l'acheteur original pour une période d'un (1) an à compter de la date d'achat initiale (preuve d'achat requise). Cette garantie couvre les frais de main-d'œuvre et les pièces de rechange. À sa discrétion, Faber peut réparer ou remplacer le produit ou les composants nécessaires à remettre le produit en bon état de marche. Pour bénéficier de services prévus par la garantie, veuillez communiquer avec le détaillant auprès duquel vous avez acheté la hotte de cuisine, ou encore avec le distributeur Faber de votre région. Si vous n'êtes pas en mesure de localiser un distributeur Faber dans votre région, veuillez communiquer avec nous au 508-358-5353 pour connaître le nom d'un distributeur à proximité.

Les éléments suivants ne sont pas visés par la garantie Faber :

1. Les appels au service de réparation visant à corriger l'installation de la hotte de cuisine, à recevoir des instructions sur l'utilisation de la hotte de cuisine, le remplacement ou la réparation des fusibles du domicile ou la correction des câblages ou de la plomberie du domicile.
2. Les appels au service de réparation visant à réparer ou remplacer les ampoules électriques de hotte, les fusibles ou les filtres. Ces pièces consommables ne sont pas couvertes par la garantie.
3. Les réparations si votre hotte de cuisine est employée à des fins autres que celles prévues, soit l'utilisation résidentielle normale pour une famille.
4. Les dommages découlant d'un accident, d'une modification, de l'utilisation incorrecte ou abusive, d'un incendie, d'une inondation, d'un cas de force majeure, d'une installation inadéquate, d'une installation non conforme aux codes en matière d'électricité ou de plomberie ou à la documentation fournie par Faber, ou encore d'une utilisation du produit non approuvée par Faber.
5. Les frais de main-d'œuvre ou de remplacement des pièces pour les appareils utilisés à l'extérieur des États-Unis ou du Canada, y compris toutes les hottes de cuisine Faber non-UL ou C-UL homologuées.
6. Les réparations à la hotte découlant de modifications non autorisées apportées à la hotte de cuisine.
7. Les frais encourus pour les déplacements et le transport de produits en région éloignée et les frais de cueillette et livraison. La réparation des hottes de cuisine Faber doit être réalisée à domicile.

LA PRÉSENTE GARANTIE NE PRÉVOIT AUCUNE FORME DE DÉDOMMAGEMENT EN CAS DE DOMMAGES ACCESSOIRES OU CONSÉCUTIFS, Y COMPRIS, SANS TOUTEFOIS S'Y LIMITER, LES DOMMAGES DIRECTS, INDIRECTS, ACCESSOIRES, PARTICULIERS OU CONSÉCUTIFS, LES LÉSIONS CORPORELLES/MORTELLES OU LA PERTE DE PROFITS. LA GARANTIE OFFERTE PAR FABER EST LIMITÉE AUX CONDITIONS ÉNONCÉES CI-DESSUS ET À LA PÉRIODE DE GARANTIE INDIQUÉE DANS LES PRÉSENTES ET EST EXCLUSIVE. SAUF DISPOSITIONS EXPRESSES CONTRAIRES DANS LE PRÉSENT ACCORD, FABER DÉCLINE TOUTE CONDITION, REPRÉSENTATION OU GARANTIE EXPLICITE OU IMPLICITE, Y COMPRIS, SANS TOUTEFOIS S'Y LIMITER, TOUTE GARANTIE IMPLICITE DE QUALITÉ MARCHANDE OU D'ADAPTATION À UN USAGE PARTICULIER.

Les droits qui vous sont conférés en vertu de la présente garantie peuvent varier d'une province ou d'un État à l'autre.

N° de modèle : _____

N° de série : _____

4 janvier 2016

LEA Y GUARDE ESTAS INSTRUCCIONES ANTES DE COMENZAR A INSTALAR ESTA CAMPANA

ADVERTENCIA: - PARA REDUCIR EL RIESGO DE INCENDIO DE LA CAMPANA POR GRASA:

- a) Nunca deje las unidades de superficie desatendidas en ajustes altos. Las ebulliciones causan humo y derrames grasientos que pueden encenderse. Caliente los aceites lentamente en ajustes bajos o medios.
- b) Siempre encienda la campana cuando cocine a fuego alto o cuando flamee alimentos (por ej. Crepes Suzette, Cherries Jubilee, Peppercorn Beef Flambé).
- c) Limpie los ventiladores con frecuencia. No se debe permitir que la grasa se acumule en el ventilador o filtro.
- d) Use un tamaño de olla adecuado. Utilice siempre utensilios de cocina apropiados para el tamaño del elemento de superficie.

ADVERTENCIA: - PARA REDUCIR EL RIESGO DE LESIONES A PERSONAS EN CASO DE INCENDIO DE GRASA, TENGA CUENTA LO SIGUIENTE*:

- A) APAGUE LAS LLAMAS con una tapa ajustada, bandeja para hornear galletas o bandeja de metal, luego apague el quemador. TENGA CUIDADO PARA EVITAR QUEMADURAS. Si las llamas no se apagan de inmediato, EVACUE Y LLAME AL DEPARTAMENTO DE BOMBEROS.
- b) NUNCA RECOJA UNA OLLA EN LLAMAS - Puede quemarse.
- c) NO USE AGUA, incluidos paños de cocina húmedos o toallas; se producirá una violenta explosión de vapor.
- D) Use un extintor SOLAMENTE si:
 1. Usted sabe que tiene un extintor Clase ABC y ya sabe cómo operarlo.
 2. El fuego es pequeño y está contenido en el área donde comenzó.
 3. Se llama al departamento de bomberos.
 4. Puede luchar contra el fuego con su espalda hacia una salida.

* Basado en "Kitchen Firesafety Tips" publicado por NFPA

ADVERTENCIA - PARA REDUCIR EL RIESGO DE DESCARGA ELÉCTRICA O INCENDIO, no use este ventilador con ningún dispositivo de control de velocidad de estado.

ADVERTENCIA - PARA REDUCIR EL RIESGO DE INCENDIOS, DESCARGAS ELÉCTRICAS O LESIONES PERSONALES, OBSERVE LO SIGUIENTE:

1. Use esta unidad solo de la manera prevista por el fabricante. Si tiene alguna pregunta, comuníquese con el fabricante.
2. Antes de reparar o limpiar la unidad, apague el equipo en el panel de servicio y bloquee los medios de desconexión del servicio para evitar que la energía se encienda accidentalmente. Cuando los medios de desconexión del servicio no se puedan bloquear, fije de forma segura un dispositivo de advertencia prominente, como una etiqueta, al panel de servicio.

PRECAUCIÓN: Para uso general de ventilación solamente. No lo use para expulsar materiales y vapores peligrosos o explosivos.

ADVERTENCIA - PARA REDUCIR EL RIESGO DE INCENDIOS, DESCARGAS ELÉCTRICAS O LESIONES PERSONALES, OBSERVE LO SIGUIENTE:

1. El trabajo de instalación y el cableado eléctrico deben realizarlo las personas calificadas de acuerdo con todos los códigos y estándares aplicables, incluida la construcción con clasificación de incendio.
2. Se necesita suficiente aire para la combustión adecuada y el escape de gases a través del tubo de humos (chimenea) del equipo que quema combustible para evitar la retrogresión. Siga las directrices del fabricante del equipo de calefacción y las normas de seguridad tales como los publicados por la National Fire Protection Association (NFPA), la American Society for Heating, Refrigeration and Air Conditioning Engineers (ASHRAE) y las autoridades de los códigos locales.
3. Al cortar o perforar la pared o el techo, no dañe el cableado eléctrico ni otros servicios ocultos.
4. Los ventiladores con conductos siempre deben tener salida al exterior.

TODAS LAS ABERTURAS DE LA PARED Y EL PISO DONDE ESTÁ INSTALADA LA CAMPANA SE DEBEN SELLAR.

Esta campana requiere al menos 24" de espacio libre entre la parte inferior de la campana y la superficie de cocción o encimera. Esta campana ha sido aprobada por UL a esta distancia de la placa.

Esta separación mínima puede ser mayor dependiendo de los códigos de construcción locales. Para placas de gas y cocinas combinadas, se recomienda y puede ser necesario un mínimo de 30".

Los armarios superiores a ambos lados de esta unidad deben estar a un mínimo de 18" por encima de la superficie de cocción o la encimera. Consulte las instrucciones de instalación de la placa de cocción o la campana proporcionadas por el fabricante antes de hacer cualquier corte. **INSTALACIÓN EN CASA MÓVIL** La instalación de esta campana debe cumplir con las Normas de seguridad y construcción de viviendas prefabricadas, Título 24 CFR, Parte 3280 (anteriormente Norma federal para construcción y seguridad de casas móviles, Título 24, HUD, Parte 280). Vea los requisitos eléctricos.

REQUISITOS DE VENTILACIÓN

Determine qué método de ventilación es mejor para su aplicación. Los conductos pueden extenderse a través de la pared o el techo.

La longitud de los conductos y la cantidad de codos se deben mantener al mínimo para proporcionar un rendimiento eficiente. El tamaño de los conductos debe ser uniforme. No instale dos codos juntos. Use cinta adhesiva para sellar todas las juntas en el sistema de conductos. Use masilla para sellar la pared exterior o la abertura del piso alrededor de la tapa.

NO se recomiendan conductos flexibles. Los conductos flexibles crean una contrapresión y turbulencias de aire que reducen en gran medida el rendimiento.

Asegúrese de que haya espacio libre adecuado dentro de la pared o el piso para el conducto de escape antes de hacer los cortes. No corte una vigueta o poste a menos que sea absolutamente necesario. Si se debe cortar una vigueta o poste, entonces se debe construir un marco de soporte.

ADVERTENCIA - Para reducir el riesgo de incendio, use solamente conductos de metal.

PRECAUCIÓN - Para reducir el riesgo de incendio y para descargar adecuadamente el aire, asegúrese de sacar el aire hacia el exterior - No expulse los humos en espacios dentro de paredes o techos, áticos, espacios angostos o garajes.

Instalaciones para clima frío

Se debe instalar un registro de retrogresión adicional para minimizar el flujo de aire frío hacia atrás y se debe instalar un interruptor térmico no metálico para minimizar la conducción de temperaturas externas como parte del sistema de ventilación. El registro debe estar en el lado del aire frío del interruptor térmico. El interruptor debe estar lo más cerca posible de donde el sistema de ventilación ingrese a la parte calentada de la casa.



ADVERTENCIA

- El sistema de ventilación DEBE terminar fuera del hogar.
- **NO** termine el conducto en un espacio ático o en otro espacio cerrado.
- **NO** use tapones de pared de 4" tipo lavadero.
- **NO** se recomiendan conductos flexibles.
- **NO** obstruya el flujo del aire de combustión y ventilación.
- El incumplimiento de los requisitos de ventilación puede provocar un incendio.

REQUISITOS ELÉCTRICOS

Se requiere un suministro eléctrico de 120 voltios, 60 Hz solo CA en un circuito separado con fusible de 15 amperios. Se recomienda un fusible de retardo o un cortacircuitos. El fusible se debe dimensionar según los códigos locales de acuerdo con la clasificación eléctrica de esta unidad, tal como se especifica en la placa de número de serie/clasificación ubicada dentro de la unidad, cerca del compartimiento de cableado de campo.



ADVERTENCIA

- Esta campana requiere conexión eléctrica de tierra.
- Si la tubería de agua fría está interrumpida por juntas de plástico, de materiales no metálicos u otros materiales, NO la utilice para conexión a tierra.
- NO conecte a tierra a una tubería de gas.
- NO tenga un fusible en el circuito neutro o de tierra. Un fusible en el circuito neutro o de tierra podría provocar una descarga eléctrica.
- Consulte con un electricista calificado si tiene dudas acerca de si la campana está correctamente conectada a tierra.
- El incumplimiento de los requisitos eléctricos puede provocar un incendio.

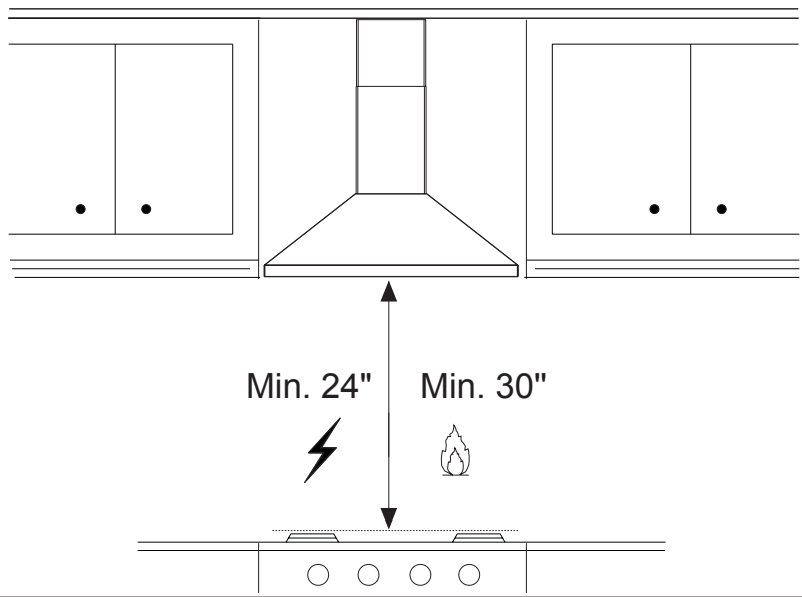
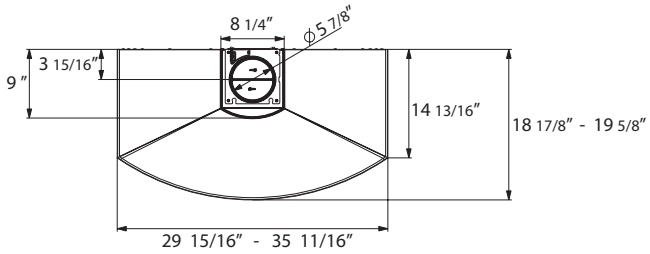
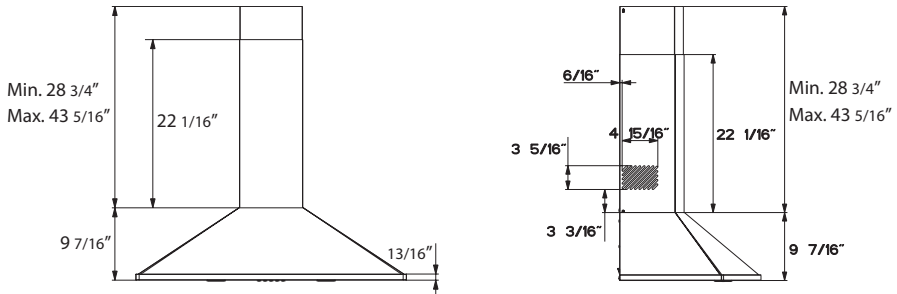
Advertencia de la Propuesta 65 del Estado de California (solo EE. UU.)

ADVERTENCIA

Este producto contiene sustancias químicas que el Estado de California considera que causan cáncer y defectos de nacimiento u otros daños reproductivos.

Para obtener más información, vaya a www.P65Warnings.ca.gov

DIMENSIONES DE LA CAMPANA



PARTES PRINCIPALES

Componentes

Ref. Cdad. Componentes del producto

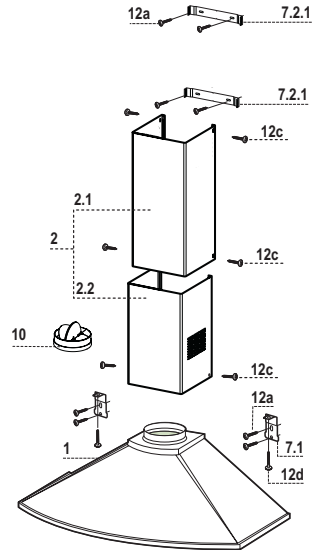
1	1	Cuerpo de la campana, completo de: Controles, Luces, Filtros, Ventilador.
2	1	Chimenea telescópica que comprende:
2.1	1	Sección superior
2.2	1	Sección inferior
10	1	Registro \varnothing 5 7/8 "

Ref. Cdad. Componentes del Instalación

7.1	2	Soportes de fijación del cuerpo de la campana
7.2.1	2	Fijación de la sección superior de la chimenea Soporte
12a	8	Tornillos 3/16" x 1 3/4"
12c	6	Tornillos 1/8" x 7/16"
12d	2	Tornillos 3/16" x 1"

Cdad. Documentación

1	Manual de instrucciones
---	-------------------------



Piezas necesarias

- Conducto metálico redondo de 6".

Accesorios disponibles

Caja de cableado de conexión directa número sku #: CAJA DE CABLEADO



Filtro de carbón activado sku # FILTER1

Kit de filtro de carbón lavable de larga duración ; sku# FILTER1LL



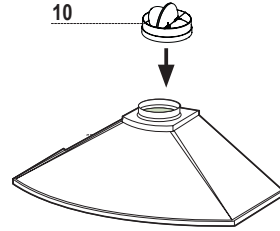
Kit de Techo Alto - Una chimenea - Superior a 11 pies. - sku# HIGHTNDR

Kit sin conductos - Incluye un desviador sin conductos, Dos filtros de carbón - sku# DUCTCLPL

Control remoto inalámbrico-REMCTRL2

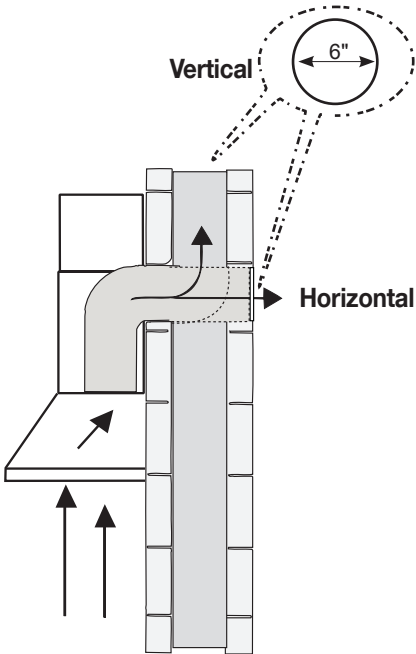
Solo para instalación de ventilación con conductos

Instale el registro que se incluye con la campana antes de la conexión a la red de conductos.



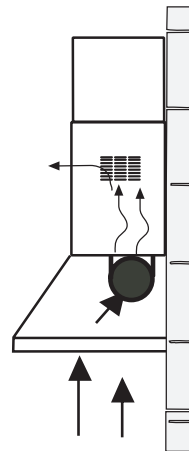
Elija su método de conducción

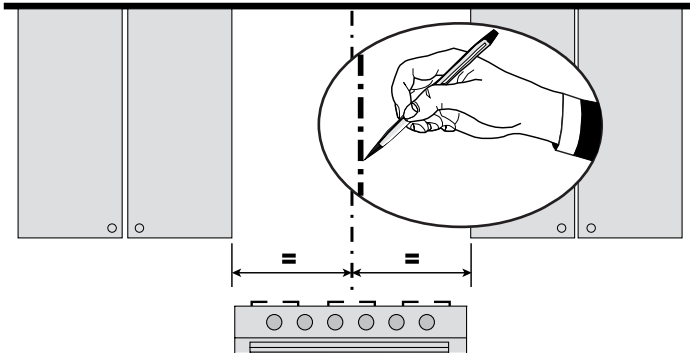
Instalación de ventilación conductos



Sin conductos - recirculación

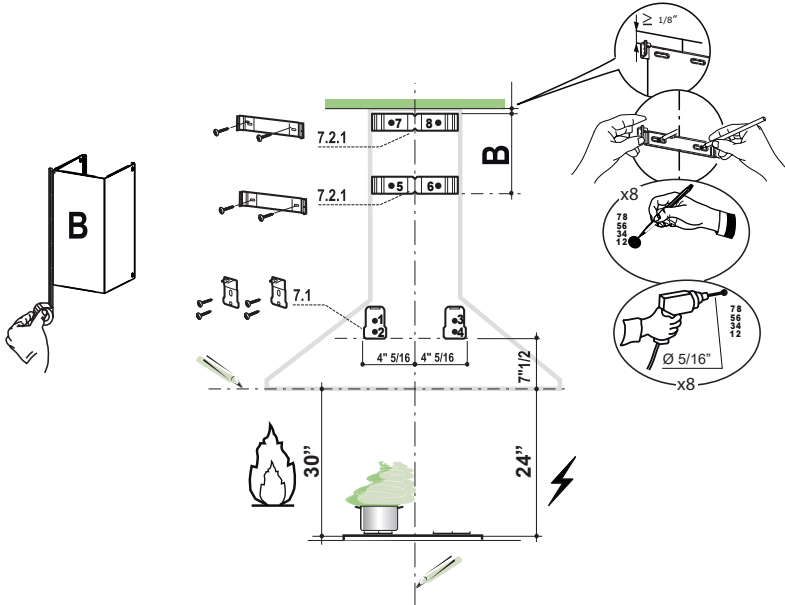
Requiere compra de accesorio de carbón activado



1

Dibuje una línea vertical en la pared de soporte tan alto como sea práctico, en el centro del área donde se instalará la campana.

Dibuje una línea horizontal en donde se ubicará el borde inferior de la campana, como se indica en la figura, que es un mínimo de 24"-30" sobre la superficie de cocción.

2

Coloque un soporte 7.2.1 en la pared como se muestra aproximadamente a 1/8" del techo o límite superior, alinee los centros (muesca) con la línea de referencia vertical y marque la pared en el centro del agujero en el soporte.

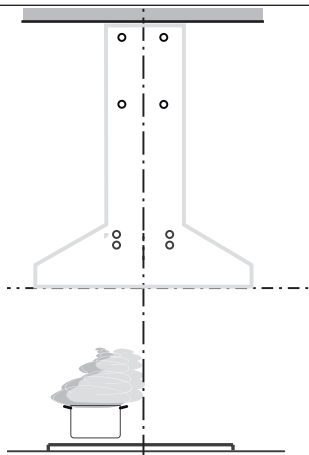
Coloque el otro soporte 7.2.1 en la pared como se muestra, debajo del primer soporte, a la altura de la sección superior de la chimenea suministrada y alineando los centros (muesca) con la línea vertical. Marque la pared en el centro de los agujeros en el soporte.

Coloque el soporte 7.1 como se muestra a 4" 5/16 de la línea de referencia vertical y 7" 1/2 por encima de la línea de referencia horizontal.

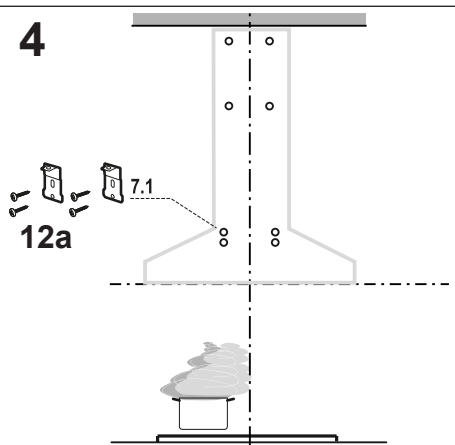
Marque los centros de los agujeros en el soporte y repita esta operación en el otro lado.

Taladre orificios de \varnothing 5/16" en todos los centros marcados (punto 1,2,3,4,5,6,7,8) como se muestra.

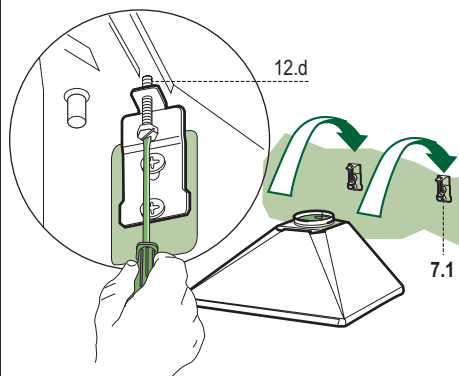
Fije los 2 soportes 7.2.1 utilizando los tornillos 12a suministrados con los tacos de pared (se adquieren por separado).

3

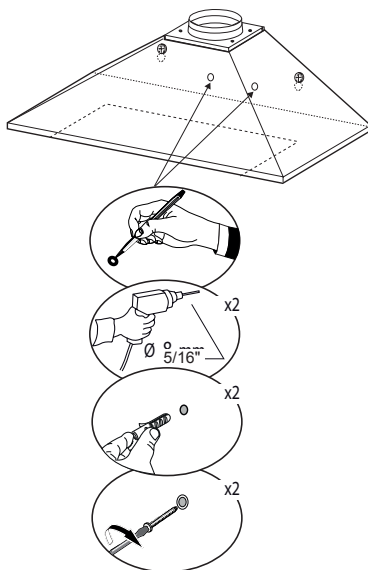
Los tornillos de instalación suministrados deben asegurarse con tacos de pared (se adquieren por separado).

4

Fije los soportes 7.1 utilizando los tornillos 12a suministrados en los orificios de fijación del cuerpo de la campana, como se muestra.

5

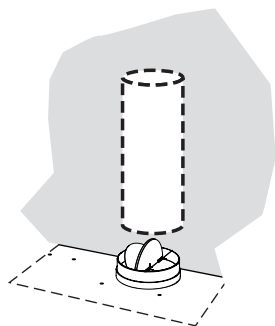
Atornille los dos tornillos 12d suministrados en los soportes 7.1.
Enganche el cuerpo de la campana en el soporte 7.1, centrándolo alrededor de la línea vertical.
Use los tornillos de ajuste 12d debajo de la campana para nivelar el cuerpo de la campana.

6

Desde el interior del cuerpo de la campana, marque el orificio de seguridad, taladre con $\varnothing 5/16''$ donde está marcado, inserte 2 tacos en los agujeros y fíjelos con 2 tornillos 12a.

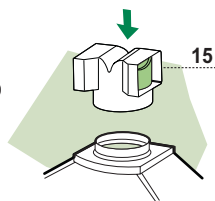
7 Instalación de conductos verticales u horizontales

Instale el techo o la tapa de pared comprados por separado. Conecte los conductos metálicos de 6" al techo o a la tapa de pared y luego conecte los conductos.



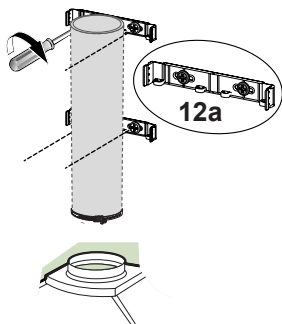
8 Opción de recirculación sin conducto

Solo para la versión de recirculación, coloque la conexión en la salida de aire del cuerpo de la campana. Asegúrese de que los filtros de carbón activado se hayan insertado.



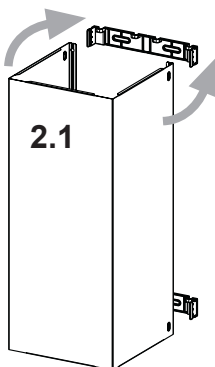
9

Fije el soporte 7.2.1 utilizando los tornillos 12a suministrados.



10

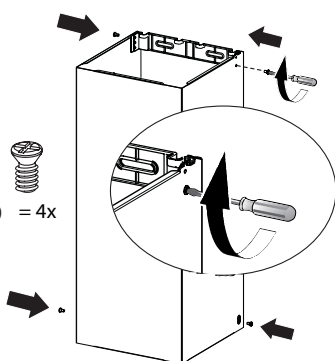
Ligeramente ensanche los dos lados de la chimenea superior y enganche detrás de los soportes 7.2.1, asegurándose de que estén bien asentados.



11

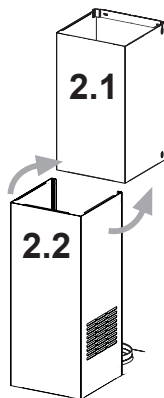
12b = 4x

Asegure los lados a los soportes con los 4 tornillos 12b.



12

Agrande ligeramente los dos lados de la sección inferior y enganche entre la sección superior y la pared, asegurándose de que estén debidamente alojados.



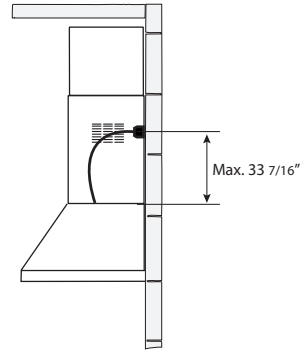
13 INSTALACIÓN ELÉCTRICA CON CABLE DE CONEXIÓN

INSTRUCCIONES DE CONEXIÓN A TIERRA Este aparato debe estar conectado a tierra. En el caso de un cortocircuito eléctrico, la conexión a tierra reduce el riesgo de descarga eléctrica al proporcionar un cable de escape para la corriente eléctrica. Este equipo está provisto de un cable que tiene un alambre de conexión a tierra con un enchufe de conexión a tierra. El enchufe debe estar enchufado a un tomacorriente que esté instalado y conectado a tierra correctamente.

ADVERTENCIA: una conexión a tierra incorrecta puede provocar un riesgo de descarga eléctrica.

Consulte a un electricista calificado si las instrucciones de conexión a tierra no se comprenden completamente o si existe una duda acerca de si el equipo está correctamente conectado a tierra.

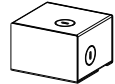
No utilice un cable de extensión. Si el cable de alimentación es demasiado corto, solicite a un electricista calificado que instale un tomacorriente cerca del dispositivo.



INSTALACIÓN ELÉCTRICA CON CAJA DE CABLEADO OPCIONAL

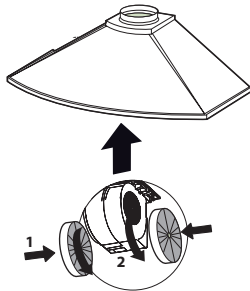
Para la instalación de cableado permanente: utilice solo con el kit de caja de cableado de la campana que se incluye sku # WIREBOX, fabricado por Faber.

Accesorio de caja de cableado de conexión directa sku # WIREBOX (se compra por separado)



14 Para la opción de recirculación sin conducto

Attach each charcoal filter to the black grid on each side of the blower. Press the charcoal filter tightly to the black

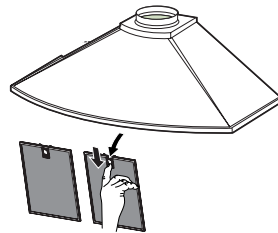


grid on the blower side and rotate the filter clockwise (towards the front of the hood) until it locks into place. Turn counterclockwise (towards the back of the hood) to remove.

Se requiere accesorio de filtro de carbón activado - Parte # - FILTER1
Filtro de carbón activado de larga duración # FILTER1LL (se compra por separado)



15

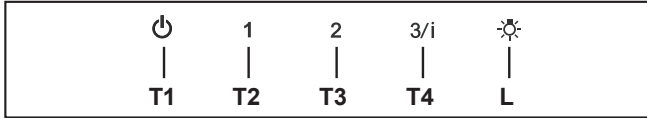


Reemplace los filtros de grasa metálicos retirados previamente.

INFORMACIÓN DE USO Y CUIDADO

Para mejores resultados

Encienda la campana varios minutos antes de cocinar para desarrollar un flujo de aire adecuado. Deje que la campana funcione durante varios minutos después de que se complete la cocción para eliminar todo el humo y los olores de la cocina.



T1. Botón de apagado del ventilador: apaga el ventilador. El ventilador se puede operar presionando cualquiera de los botones de ajuste del ventilador.

Mantenga presionado este botón durante 2 segundos para activar la función delay off (desactivación retardada), que mantendrá el ventilador encendido durante 15 minutos y se apagará automáticamente.

T2. Botones de ajuste del ventilador: velocidad baja.

T3. Botones de ajuste del ventilador: velocidad media.

T4. Botones de ajuste del ventilador: velocidad alta / velocidad intensiva.

Mantenga presionado el botón durante 2 segundos para activar la velocidad intensiva, que está programada para ejecutarse durante 6 minutos. Al final de este tiempo, volverá automáticamente a la velocidad establecida anteriormente. Adecuado para tratar con niveles máximos de humos de cocina.

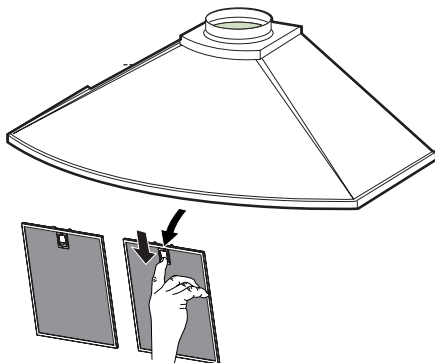
L. Botón de luz: interruptor de encendido/apagado de las luces .

NOTA: Si su producto ha tenido un ajuste de CFM, consulte el manual de ajuste de CFM para obtener información. Algunas velocidades del motor de funciones pueden ser reducidas.

Limpeza de los filtros de grasa metálicos

Los filtros se deben limpiar cada 2 meses de funcionamiento, o con mayor frecuencia para un uso particularmente pesado, y se puede lavar en un lavavajillas.

- Retire los filtros de a uno por vez, empujándolos hacia la parte posterior de la unidad y al mismo tiempo tirando hacia abajo.
- Lave los filtros sin doblarlos y déjelos secar completamente antes de volver a colocarlos. (Si la superficie del filtro cambia de color a medida que pasa el tiempo, esto no tendrá ningún efecto en la eficacia del filtro).
- Reemplace, teniendo cuidado de asegurarse de que la manija mire hacia adelante.
- Asegúrese de eliminar toda el agua y cualquier otro líquido antes de volver a instalar los filtros después de la limpieza.

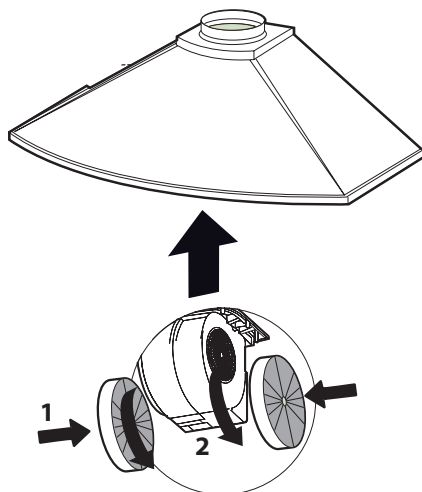


Reemplazo del filtro de carbón activado

El filtro no es lavable, no puede ser regenerado, y debe ser reemplazado aproximadamente cada 4 meses de operación, o más frecuentemente con uso intensivo.

- Retire los filtros de a uno por vez, empujándolos hacia la parte posterior de la unidad y al mismo tiempo tirando hacia abajo.
- Retire el filtro de carbón saturado liberando los ganchos de fijación.
- Coloque el nuevo filtro y ajústelo en su posición correcta.
- Reemplace, teniendo cuidado de asegurarse de que la manija mire hacia adelante.

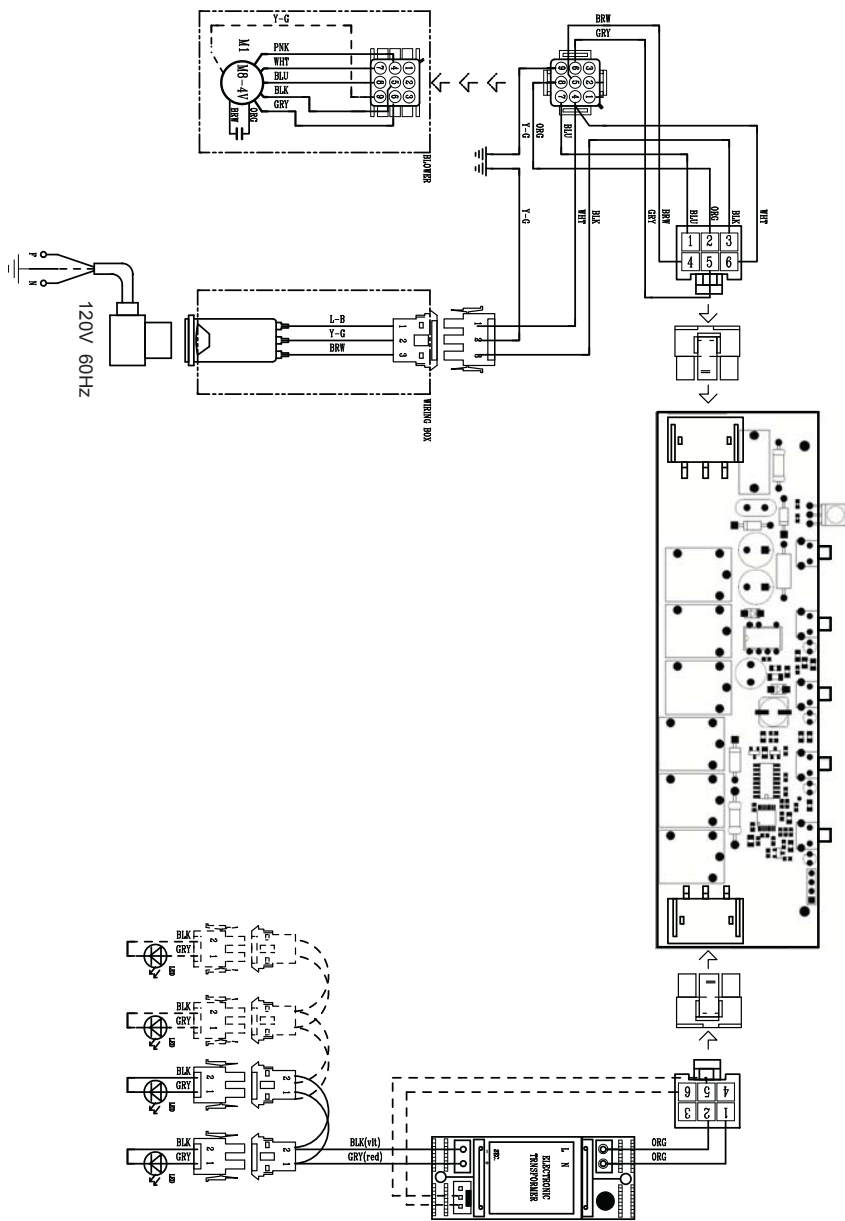
PRECAUCIÓN: Cuando se utiliza en el modo de recirculación, para reducir el riesgo de incendio y descarga eléctrica, utilice sólo el kit de conversión Modelo FILTER1 o FILTER1LL.



Unidad de iluminación

- Las luces LED deben ser reemplazadas por el servicio autorizado por la fábrica Faber.

Diagrama de cableado



Esta garantía Aplica para USA y Canada



GARANTÍA Y SERVICIO AL CONSUMIDOR FABER

Todos los productos Faber están garantizados contra cualquier defecto de materiales o mano de obra para el comprador original por un período de 1 año a partir de la fecha de compra original (requiere prueba de compra). Esta garantía cubre mano de obra y piezas de repuesto. Faber, a su elección, puede reparar o reemplazar el producto o componentes necesarios para restaurar el producto en buenas condiciones de trabajo. Para obtener el servicio de garantía, póngase en contacto con el distribuidor de quien adquirió la campana extractora o con el distribuidor local de Faber. Si no puede identificar a un distribuidor local de Faber, comuníquese con nosotros al (508) 358-5353 para obtener el nombre de un distribuidor en su área.

Lo siguiente no está cubierto por la garantía de Faber:

1. Llamadas de servicio para corregir la instalación de su campana extractora, para instruirle sobre cómo usar su campana extractora, para reemplazar o reparar fusibles de la casa o para corregir el cableado de la casa o la plomería.
2. Llamadas de servicio para reparar o reemplazar las bombillas, fusibles o filtros de la campana extractora. Estas partes de consumibles están excluidas de la cobertura de la garantía.
3. Reparaciones, cuando su campana extractora se utiliza para uso doméstico distinto al normal.
4. Daños resultantes de accidente, alteración, mal uso, abuso, incendio, inundación, eventos naturales, instalación incorrecta, instalación no conforme a los códigos eléctricos o de plomería o la documentación de Faber, o uso de productos no aprobados por Faber.
5. Piezas de repuesto o costos de mano de obra de reparación para unidades operadas fuera de los Estados Unidos o Canadá, incluyendo cualquier campana de cocina Faber no aprobada por UL o C-UL.
6. Reparaciones a la campana resultantes de modificaciones no autorizadas a la misma.
7. Gastos de viaje y transporte para el servicio del producto en lugares remotos, y gastos de recogida y entrega. Las campanas de cocina Faber deben ser reparadas en el hogar.

ESTA GARANTÍA NO PERMITE LA RECUPERACIÓN DE DAÑOS INCIDENTALES O CONSECUENTES, INCLUYENDO, SIN LIMITACIÓN, DAÑOS DIRECTOS, INDIRECTOS, INCIDENTALES, ESPECIALES O CONSECUENTES, LESIONES PERSONALES O MUERTE INCORRECTA O BENEFICIOS PERDIDOS. LA GARANTÍA DE FABER SE LIMITA A LAS CONDICIONES ANTERIORES Y AL PERÍODO DE GARANTÍA ESPECIFICADO AQUÍ Y ES EXCLUSIVA. EXCEPTO DADO LO EXPRESAMENTE ESPECIFICADO EN ESTE ACUERDO, FABER RENUNCIA A TODAS LAS CONDICIONES, REPRESENTACIONES Y GARANTÍAS EXPRESAS O IMPLÍCITAS INCLUYENDO, SIN LIMITACIÓN, CUALQUIER GARANTÍA IMPLÍCITA DE COMERCIABILIDAD O ADECUACIÓN PARA UN PROPÓSITO PARTICULAR.

Esta garantía le otorga derechos legales específicos que pueden variar de estado a estado.

Modelo: _____ Número de serie _____

