



**Product:** 24 Inch Professional Built- In Microwave Speed Oven  
**Model Number:** TM024

### TECHNICAL DETAILS

Installation Type	Built-In
Color/Finish	Stainless Steel
Capacity	1.6 cu. ft.
Display	Full Touch LCD
Enamel Turntable Diameter	14.1"
Plug Type	3-prong, 120V, 60Hz



### FEATURES & BENEFITS

- + **Powerful Performance:** Boasting a 1000-watt output with 10 power levels to precision cooking control.
- + **Spacious Storage:** 1.55 cu ft Stainless Steel Cavity for easy cleaning and spacious design.
- + **Ceramic and Enamel Turntable:** 14.1 inch turntable can accommodate a variety of different container shapes and sizes.
- + **Cooking Options:** Equipped with a convection fan, broiler, and baking elements for versatile culinary adventures.
- + **Sleek Design:** Stainless steel built-in cabinet design features a full touch LCD display that's easy to operate and clean.



### PERFORMANCE

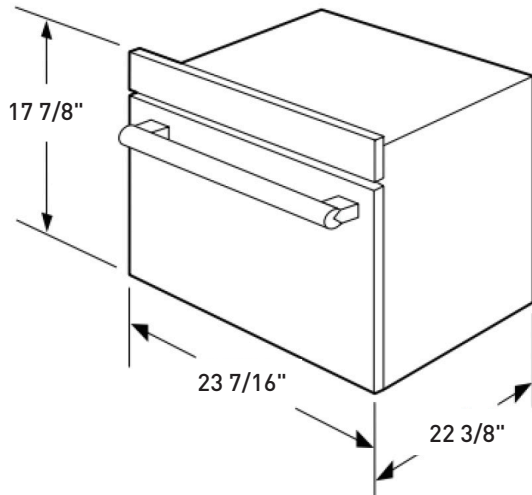
Microwave Output Power	1000W
Microwave Input Power	1750W
Broil Element	1750W
Convection Element	1700W



WARRANTY: 2 YEARS PARTS AND LABOR



### Product Dimensions



### PRODUCT DIMENSIONS & WEIGHT

Product Dimensions (WxDxH)	23 7/16" x 22 3/8" x 17 7/8"
Cavity Dimensions (WxDxH)	16.5" x 16.5" x 10"
Cabinet Cutout (WxDxH)	22 3/8" x 23 1/4" x 17 3/4"
Gross Weight	92.32 lbs
Net Weight	81.79 lbs

### Cabinet Cutout

(For further details on the cabinet requirement, please refer to the installation instructions.)

