



TUSCANY PRODUCT SPECIFICATIONS

TVDR/TVWH/TVDDP

COOKING FEATURES

- High performance burners provide fast boil times and a gentle simmer
 - 20,000 BTU – 8,500 BTU high burner ratings
- Stainless steel burner pan
- Electronic single point, spark ignition/re-ignition on all burners
- Porcelain coated cast iron burner grates
- Optional surface configurations (66" and 48" models)
 - Machined steel griddle/simmer plate (with grease collection drawer)
 - Induction elements
- 3.8 cu ft. electric oven (66"W.– both ovens / 48"– left oven / 36")
 - 25-3/4"W. x 13"H. x 19-5/8" D.
 - Stainless steel oven cavity
- Five rack positions with two oven racks including one TruGlide™ Rack
 - Eight cooking functions – Bake, Convection Bake, Tru Convection, Low Broil, High Broil, Convection Broil, Defrost, Proof
 - Two oven lights
- 2.4 cu ft. oven (48"– right oven)
 - 11-5/8"W. x 18-1/4"H. x 19-5/8"D.
 - Side swing oven door
 - One oven rack
- Storage drawer for baking pans with soft-close glides
- Polished chrome die cast knobs

MODEL NUMBERS

- TVDR6618B – 8 gas burners
- TVDR6616G – 6 gas burners; electric griddle
- TVDR6616I – 6 gas burners; 2 induction elements
- TVDR4816B – 6 gas burners
- TVDR4814G – 4 gas burners; electric griddle
- TVDR4814I – 4 gas burners; 2 induction elements
- TVDR3614B – 4 gas burners

COLOR FINISHES

- Available in Volume 1 and Volume 2 Color Finishes

Volume 1: Antique Bronze (AN), Blush (BH), Cast Black (CS), Damascus Gray (DG), Eucalyptus (EU), Ivy (IV), Martini (MA), November Sky (NS), Slate Blue (SB), Spiced Cider (SC), Splash (SP)



Volume 2: Daffodil (DA), Golden Hour (GH), Nantucket (NA), Onyx (ON), Pure White (PW), Squall (SQ), Valentine (VA)



- Polished chrome trim finish



TVDR6616I



TVDR4814I



TVDR3614B

WARRANTY

- 2-year full – complete product
- 90-day full – cosmetic parts such as glass, painted items and decorative items
- 5-year limited – gas burners, electric elements



TUSCANY PRODUCT SPECIFICATIONS

TVDR/TVWH/TVDDP

TUSCANY WALL HOODS - 18"H. / 24"D.

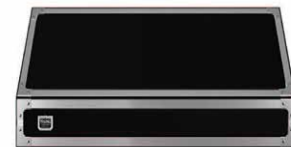
- TVWH360 - 36"W.
- TVWH480 - 48"W.
- TVWH660 - 66"W.
- Canopy only; must also purchase interior or exterior ventilator kit, sold separately
- Backlit LED knobs extend and illuminate to control lighting level and ventilation speed
- Dimmable LED lighting is energy efficient and easily replaceable
- Heat lamps standard (250 watt heat lamp bulb not included)
- Dishwasher-safe commercial-type SS baffle filters with handles
- Separate removable grease trough for easy cleaning
- Heat sensor automatically turns ventilator on full power when temperatures reach uncomfortable levels
- Virtually seamless stainless steel canopy interior for easy cleaning



TVWH660



TVWH480



TVWH360

TUSCANY DUCT COVERS FOR WALL HOODS

- TDCW36 - 36"W.
- TDCW48 - 48"W.
- TDCW66 - 66"W.
- For use with all TVWH models
- Extends height of hood 12"H. to conceal duct; 12"D.

TUSCANY DISHWASHER DOOR PANEL KIT

- TVDDP524 - 24"W.
- For use with all FDWU model dishwashers (sold separately)



TVDDP524

COLOR FINISHES

- Available in Volume 1 and Volume 2 Color Finishes

Volume 1: Antique Bronze (AN), Blush (BH), Cast Black (CS), Damascus Gray (DG), Eucalyptus (EU), Ivy (IV), Martini (MA), November Sky (NS), Slate Blue (SB), Spiced Cider (SC), Splash (SP)



Volume 2: Daffodil (DA), Golden Hour (GH), Nantucket (NA), Onyx (ON), Pure White (PW), Squall (SQ), Valentine (VA)



- Polished chrome trim finish

WARRANTY

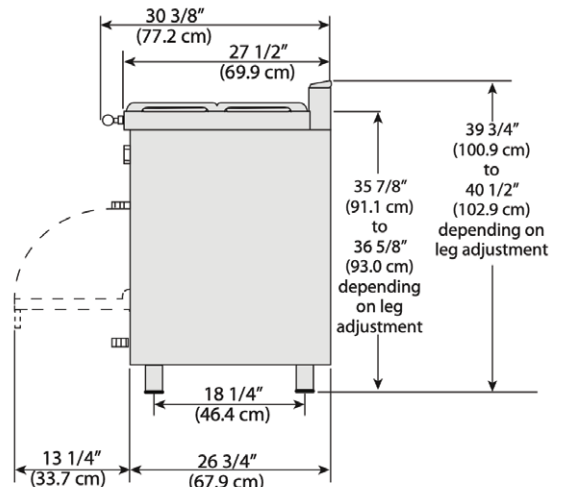
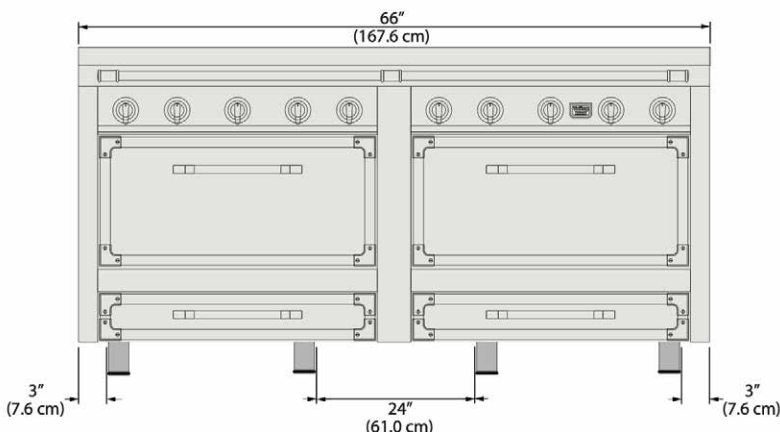
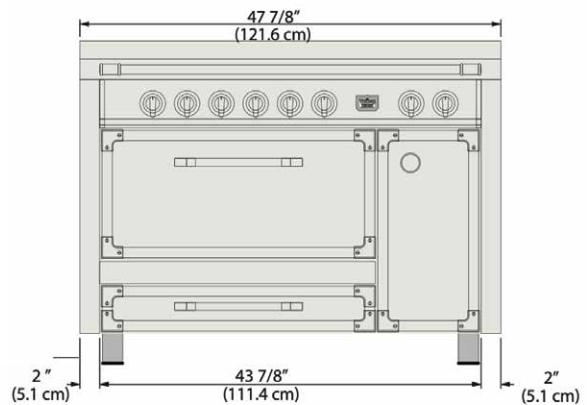
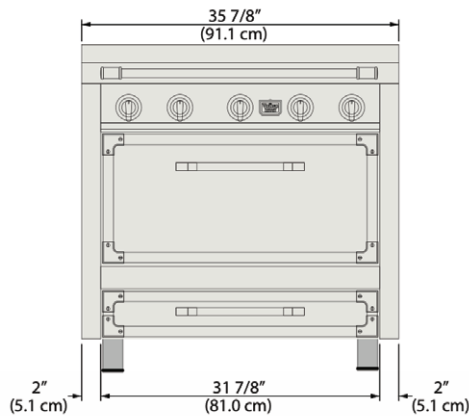
- 2-year full – complete product
- 90-day full – cosmetic parts such as glass, painted items and decorative items



TUSCANY PRODUCT SPECIFICATIONS

TVDR/TVWH/TVDDP

TUSCANY DUAL FUEL RANGES			
DESCRIPTION	36" W.	48" W.	66" W.
Cutout Width	36" (91.4 cm)	48" (121.9 cm)	66-1/8" (168.0 cm)
Overall Width	35-7/8" (91.1 cm)	47-7/8" (121.6 cm)	66" (167.60 cm)
Overall Height From Bottom To top of side trim Leg adjustment	35-7/8" (91.1 cm) min to 36-5/8" (93.0 cm) max 3/4" (1.9 cm)		
Overall Depth From Rear To end of side panel To front of door To end of towel bar To end of door handle	26-3/4" (67.9 cm) 26-3/4" (67.9 cm) 30-3/8" (77.2 cm) 28-7/8" (35.2 cm)		
Additions To Base Height To top of island trim	add 4" (10.2 cm)		
Gas Requirements	Shipped Natural Gas, accepts standard residential 1/2" (1.3 cm) ID gas service line. Natural 5.0" W.C.P./ Liquid Propane L/P 10.0" W.C.P. Unit is field convertible with conversion kit.		
Electrical Requirements	See installation guide for more information		
Maximum Amp Usage	240V - 18.5 amps / 208V - 15.8 amps	240V - 28.5 amps / 208V - 24.4 amps	240V - 31.1 amps / 208V - 26.6 amps
Surface Ratings	See installation guide for more information		
Oven Interior Width	25-3/4" (65.4 cm)	LH 25-3/4" (65.4 cm); RH 11-5/8" (29.5 cm)	Both ovens: 25-3/4" (65.4 cm)
Oven Interior Height	13" (33.0 cm)	LH 13" (33.0 cm); RH 18-1/4" (46.4 cm)	Both ovens: 13" (33.0 cm)
Oven Interior Depth	19-5/8" (49.8 cm)	LH 19-5/8" (49.8 cm); RH 19-5/8" (49.8 cm)	Both ovens: 19-5/8" (49.8 cm)
Oven Volume Overall AHAM	3.8 cu. ft.	LH 3.8 cu. ft.; RH 2.4 cu. ft.	Both ovens: 3.8 cu. ft.
Approximate Shipping Weight	300 - 340 lbs (135 - 153 kg)	470 - 510 lbs (212 - 230 kg)	640 - 695 lbs (289 - 314 kg)



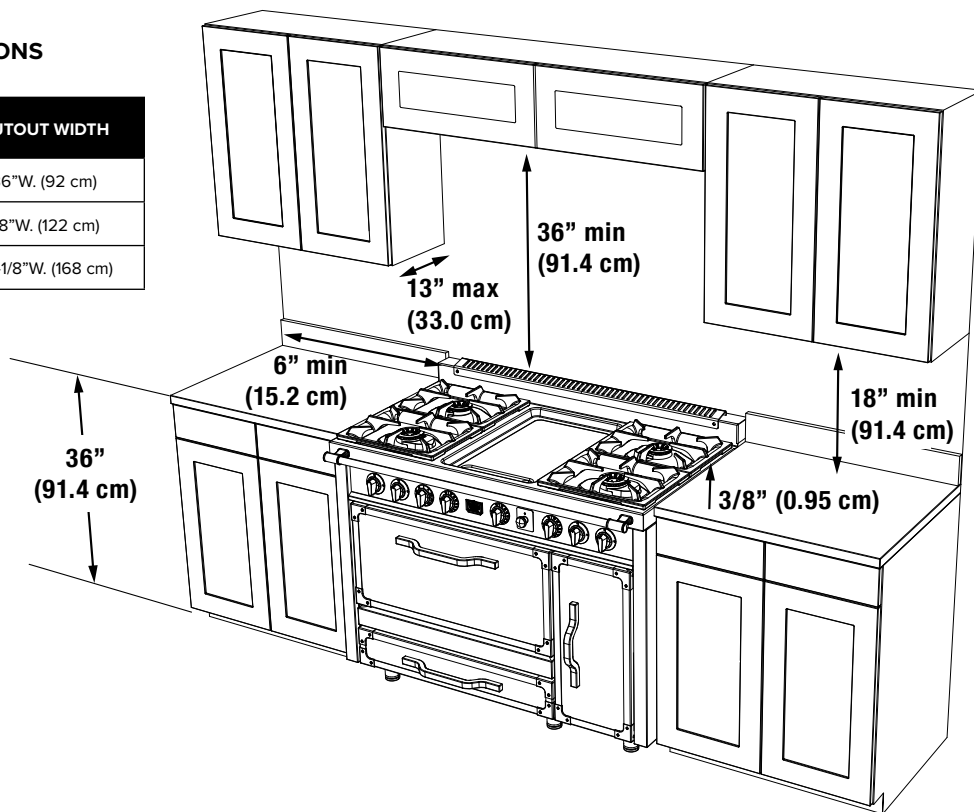


TUSCANY PRODUCT SPECIFICATIONS

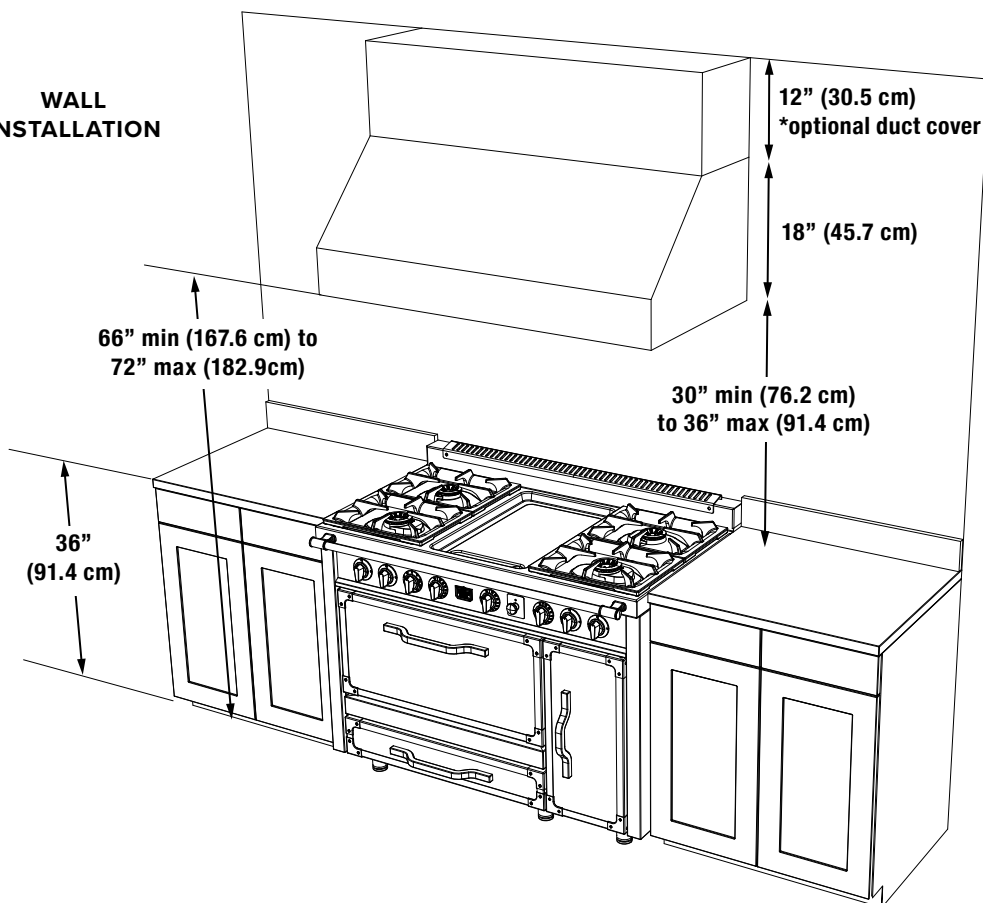
TVDR/TVWH/TVDDP

CLEARANCE DIMENSIONS

RANGE WIDTH	CUTOUT WIDTH
35-7/8" (91.1 cm)	36"W. (92 cm)
47-7/8" (121.6 cm)	48"W. (122 cm)
66" (167.6 cm)	66-1/8"W. (168 cm)



WALL INSTALLATION

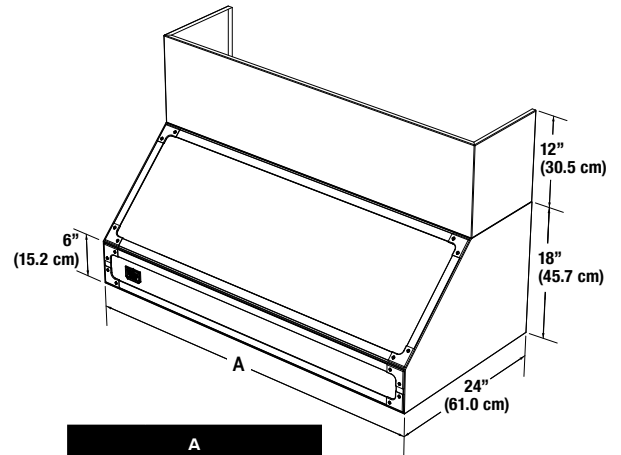




TUSCANY PRODUCT SPECIFICATIONS

TVDR/TVWH/TVDDP

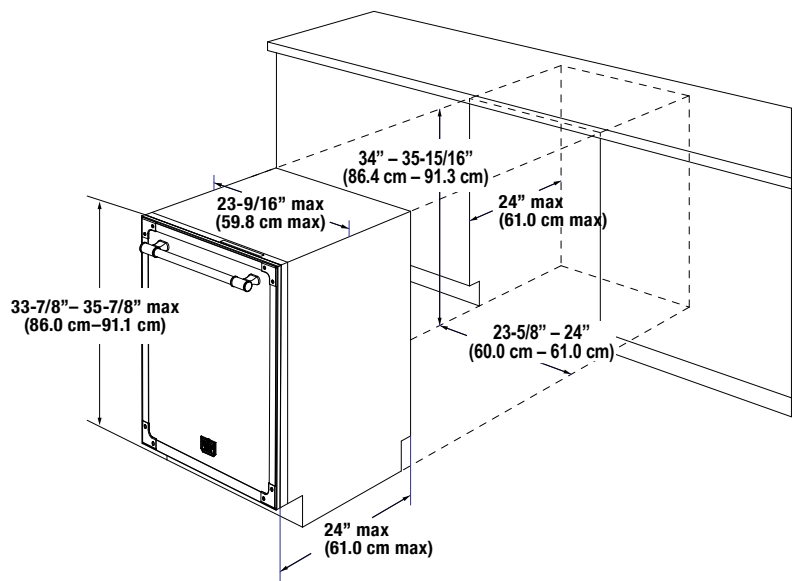
TUSCANY 18" H. HOODS			
DESCRIPTION	36" W.	48" W.	66" W.
Duct Cover Width	35-7/8" (91.1 cm)	47-7/8" (121.6 cm)	65-7/8" (167.3 cm)
Duct Cover Depth	12" (30.5 cm)		
Duct Cover Height	12" (30.5 cm)		
Interior Ventilator Kits	VINV300/600	VINV1200	
Exterior Ventilator Kits	DEV900	DEV15001	
In-Line Ventilator Kits	DIL1200		
Interior Duct Size	7"/10" (17.8/25.4 cm)	10" (25.4 cm)	
Exterior Duct Size	10" (24.5 cm)		
Interior—Max Amps	4.2/5.2/8.2	10.8	
Exterior—Max Amps	8.0/5.3	7.8/8.5	
In-Line—Max Amps	5.3/7.2	9.6	



A	
36"W.	35-7/8" (91.1 cm)
48"W.	47-7/8" (121.6 cm)
66"W.	65-7/8" (167.3 cm)

It is recommended that the 1,500 CFM ventilator be used with longer duct runs. Max duct run is 75 ft.
 NOTE: Maximum amp rating for hoods includes recommended ventilator kit rating; All products must be hard wired with 2-wire with ground. An interior- or exterior-power ventilator kit must be purchased for installation with all 18"H. hoods.

DISHWASHER	
DESCRIPTION	FDWU DISHWASHERS
Overall Width	23-9/16" (59.8 cm)
Overall Height from Floor	33-7/8" (86.0 cm) minimum to 35-7/8" (91.1 cm) maximum
Overall Depth	To front of door panel: 22 3/16" (56.4 cm)
Cutout Width	24" (61.0 cm)
Cutout Height	34" (86.4 cm) minimum to 36" (91.4 cm) maximum
Cutout Depth	24" (61.0 cm)
Electrical Requirements	12.0 amps, 115V/60Hz; 4" (120cm) electrical cord with 3-prong plug supplied with unit
Water-Heating Element Rating	1,100 watts
Inlet Water Temperature	120°F (49°C) required
Drain Hose	6.4' (1.9 m) drain hose provided
Drain Hose High Loop Required	Height from floor – 28" (71.0 cm)
Approximate Shipping Weight	97 lb. (44 kg)



VIKING RANGE, LLC 111 FRONT STREET GREENWOOD, MISSISSIPPI 38930 USA

For detailed product information, model numbers, or to request a quote call 1-888-845-4641 or visit vikingrange.com
 © 2024 Viking Range, LLC All rights reserved. Specifications subject to change without notice.