



Product: 30 Inch Warmer Drawer
Model Number: TWD3001

TECHNICAL DETAILS

Rated Voltage	120V/60Hz
Power	500W
Current	4A
Drawer Function	Full-Extension, Ball-Bearing Drawers Soft Closing Slides
Removable Serving Pan Rails	2
Included Accessories	1 1/2" Serving Pan And 2 1/3" Serving Pans



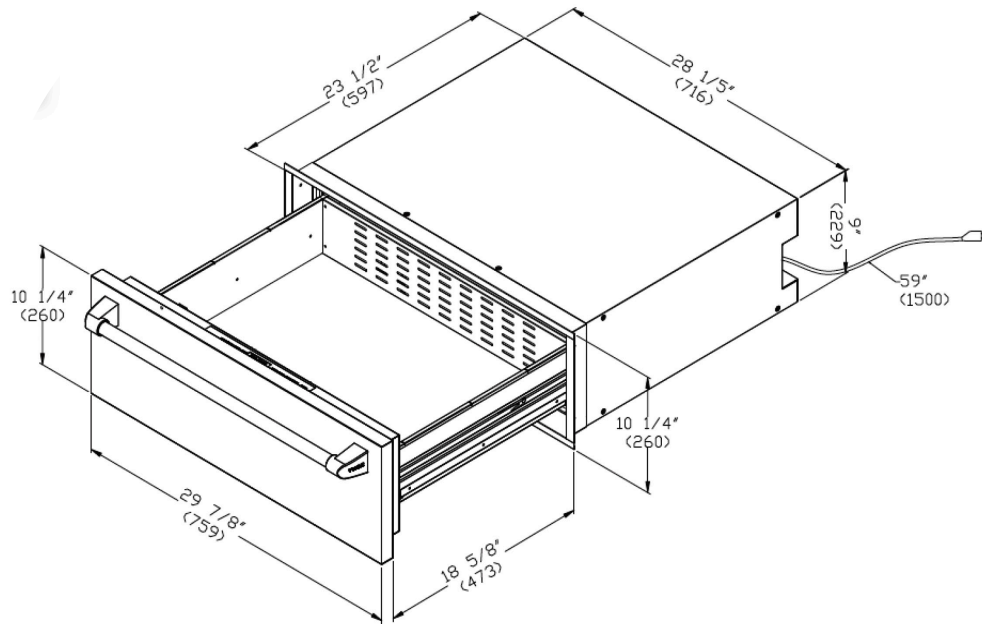
FEATURES & BENEFITS

- + **Flexible Temperature Control:** Temperature settings from 86 to 185 degrees address all your heating needs.
- + **Multiple Modes:** Keep plates, cups and dishes warm or operate at a consistently low temperature to activate yeast and prepare dough for baking with the proof function.
- + **Sleek Design:** The sleek stainless steel design fits seamlessly in any kitchen.
- + **Humidity Control:** Maintain proper food textures with the hidden humidity control valve.
- + **Hidden LCD Display and Controls:** Easily change functions, temperatures and adjust the timer with the hidden controls and LCD display.
- + **Soft Close Drawer:** The full-extension drawer closes silently and smoothly so you can sneak a taste without anyone knowing.
- + **Serving Pans:** Comes equipped with 3 serving pans and 2 removable serving rails.
- + **Drawer Open Alarm:** Notifies you if the drawer is left ajar for too long.

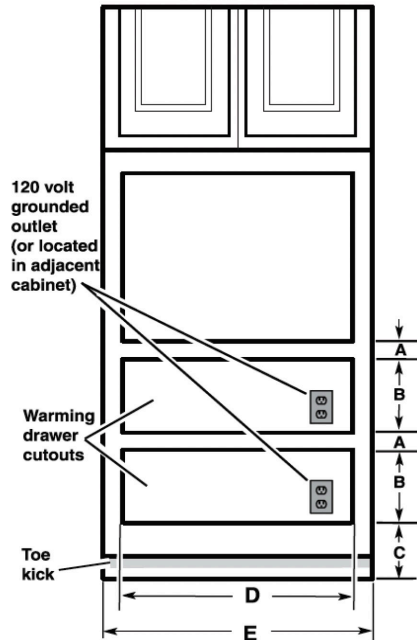


PRODUCT DIMENSIONS & WEIGHTS

Product Dimensions (W x D x H)	30" x 23 1/2" x 10 1/4"
Carton Dimensions (W x D x H)	30 11/12" x 28 11/16" x 14 3/8"
Cutout Dimension (W x D x H)	28 1/2" x 25 2/5" x 9 1/8"
Product Net Weight	61.8 lbs
Gross Weight	77.2 lbs



Front view



WARMING DRAWER SIZE	MINIMUM BETWEEN CUTOUTS (A)	CUTOUT HEIGHT (B)	MINIMUM/RECOMMENDED (C)	CUTOUT WIDTH (D)	MINIMUM CABINET WIDTH (E)
30"	2½"	9⅞"	1" (2.5 cm)/	28½"	30"
(76.2 cm)	(6.4 cm)	(23.2 cm)	4¼" (10.8 cm)	(72.2 cm)	(76.2 cm)