

FEATURES & BENEFITS



PERFORMANCE	<ul style="list-style-type: none"> Volume of 4.9 cu ft holds up to 79 bottles (12 oz) or 123 cans (12 oz) and 10 wine bottles (750 ml) Digital Touch Pad Control is conveniently located on upper face of unit Temperature range: 34°F - 45°F Convection cooling system rapidly and efficiently takes items to the set temperature
INTERIOR/EXTERIOR	<ul style="list-style-type: none"> Black interior is illuminated with LED lighting that automatically turns off when the door is closed, or can be set to stay on for 3 hours Full extension black coated wine racks allow for easy access and prevent bottles from shifting Wine racks accommodate a variety of bottle shapes and sizes Three adjustable tempered glass shelves with 7 height positions LowE coated, argon gas filled double thermopane glass door provides protection from harmful UV light Stainless steel handle (7/8" diameter) The door swing on non-lock models is field reversible, and is shipped right-hand hinged Lock models must be ordered right-hand or left-hand hinged Designed to be built-in (galvanized exterior cabinet)
INTEGRATION	<ul style="list-style-type: none"> Robust, concealed and covered hinges with built-in door stop and closer Integrated model requires 3/4" custom panel of your choice, or can accept U-Line Handleless Stainless Panel Accessory (must be ordered separately) Fixed grille can accept an integrated toe-kick Four independently adjustable leveling legs provide a precise undercounter fit



STAINLESS FRAME



STAINLESS FRAME (LOCK)



INTEGRATED FRAME (STAINLESS HANDLELESS PANEL)*



INTEGRATED FRAME



INTEGRATED SOLID



INTEGRATED SOLID (STAINLESS HANDLELESS PANEL)*

MODEL DETAILS

Model	Voltage/Hz	Door Swing	Finish	Shipping Weight
U-2224BEVS-00B	115 / 60	Field Reversible	Stainless Frame	156 lb
U-2224BEVS-13B	115 / 60	Right-Hand Hinged	Stainless Frame (Lock)	156 lb
U-2224BEVS-15B	115 / 60	Left-Hand Hinged	Stainless Frame (Lock)	156 lb
U-2224BEVINT-00B	115 / 60	Field Reversible	Integrated Frame	144 lb
U-2224BEVINT-60B	115 / 60	Field Reversible	Integrated Solid	132 lb

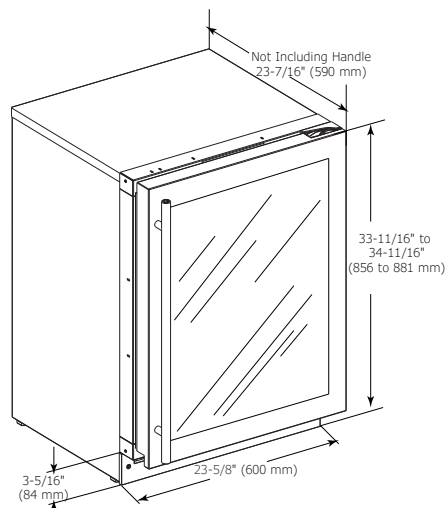
ACCESSORIES

Model	Description	Finish	Shipping Weight
ULASHP24FRAME*	Stainless Handleless Panel Frame	Stainless	8 lb
ULASHP24SOLID*	Stainless Handleless Panel Solid	Stainless	12 lb

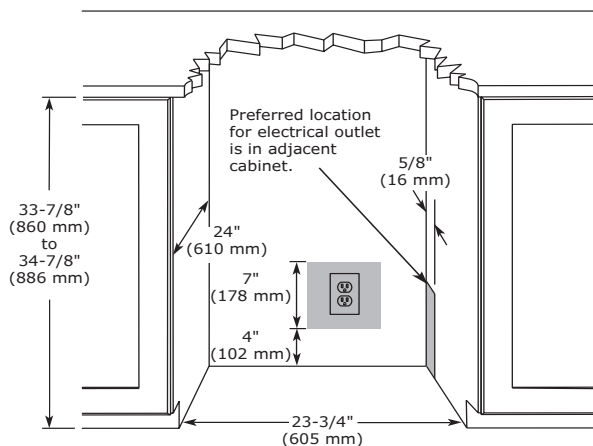
*Installs on integrated models.

DIMENSIONS

Dimensions shown apply to all finishes, including Integrated (INT) models with 3/4" integrated panel/frame installed.



CABINET CUT-OUT



INSTALLATION NOTES

- When installing adjacent to wall, ensure 2 1/2" clearance on hinged side for 90° door opening, allowing ample room for door handle.
- No additional clearance around sides, top or rear of unit is needed for ventilation.
- Do not obstruct front grille air flow.

WARRANTY

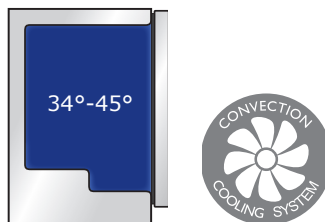
- 1 Year (parts & labor) / 5 year sealed system (parts)
- + **Additional 1 Year (parts & labor) warranty at no cost with product registration**

See complete warranty for details

SPECIFICATIONS

Model	2224BEV
Amps: Running	1.2
Capacity: Bottle (12 oz)	79
Capacity: Can (12 oz)	123
Capacity: Volume (cu ft)	4.9
Capacity: Wine Bottle (750 ml)	10
Control Type	Digital Touch Pad
Dimensions: Product Depth	23 7/16" / 590 mm
Dimensions: Product Height	33 11/16" / 856 mm
Dimensions: Product Width	23 5/8" / 600 mm
Energy Consumption: Avg. Per Year	270 kWh
ENERGY STAR	ENERGY STAR / Tier 1
Panel Height	30" / 762 mm
Panel Thickness	3/4" / 20 mm
Panel Type	2 3/4" / 70 mm Frame Panel or Solid Panel -60 Suffix
Panel Width	23 1/2" / 595 mm
Product Weight: Max	135 lb
Refrigerant Type	R600a (1.41 oz)
Sabbath (Star K Certified)	Yes
Temperature Range	34°F - 45°F

COOLING SYSTEM



ELECTRICAL REQUIREMENTS

This unit requires a grounded, polarized 115 VAC, 60 Hz, 15 A power supply (normal household current).

