

FEATURES & BENEFITS



| | |
|--------------------------|---|
| PERFORMANCE | <ul style="list-style-type: none"> • Volume of 7.0 cu ft holds up to 79 bottles (12 oz) or 123 cans (12 oz) and 31 wine bottles (750 ml) • Temperature range: Left: 38°F - 65°F / Right: 34°F - 70°F • Convection cooling system rapidly and efficiently takes items to the set temperature • U-Select® Control offers eight distinct modes • U-Select® Control with digital OLED display • Independently controlled dual-zones • Rubber mounted compressor virtually eliminates vibration |
| INTERIOR/EXTERIOR | <ul style="list-style-type: none"> • Black interior is illuminated with LED theater lighting that automatically turns off when the door is closed, or can be set to stay on for 3, 6, or 24 hours • Robust full-extension black coated wine racks allow for easy access and prevent bottles from shifting • Wine racks accommodate a variety of bottle shapes and sizes; the fourth and fifth racks allow for larger diameter wine and champagne bottles • The right compartment offers 3 adjustable tempered glass shelves with 11 height positions • The right compartment features a full-extension, slide-out crisper drawer that is removable for easy cleaning • LowE coated, argon gas filled double thermopane glass door provides protection from harmful UV light • Stainless steel handle (7/8" diameter) • Door lock model available • Designed to be built-in (galvanized exterior cabinet) |
| INTEGRATION | <ul style="list-style-type: none"> • Robust, concealed and covered hinges with built-in door stop and closer • Adjustable grille can be shifted front-to-back and up-and-down • Grille can accept an integrated toe-kick • Integrated model requires 3/4" custom panel of your choice, or can accept U-Line Handleless Stainless Panel Accessory (must be ordered separately) • Four independently adjustable leveling legs |



STAINLESS FRAME



STAINLESS FRAME (LOCK)



INTEGRATED FRAME (STAINLESS HANDLELESS PANEL)*



INTEGRATED FRAME



INTEGRATED SOLID



INTEGRATED SOLID (STAINLESS HANDLELESS PANEL)*

MODEL DETAILS

| Model | Voltage/Hz | Door Swing | Finish | Shipping Weight |
|-------------------|------------|--------------|------------------------|-----------------|
| U-3036BVWCS-00B | 115 / 60 | Double Doors | Stainless Frame | 247 lb |
| U-3036BVWCS-13B | 115 / 60 | Double Doors | Stainless Frame (Lock) | 247 lb |
| U-3036BVWCINT-00B | 115 / 60 | Double Doors | Integrated Frame | 230 lb |
| U-3036BVWCINT-60B | 115 / 60 | Double Doors | Integrated Solid | 226 lb |

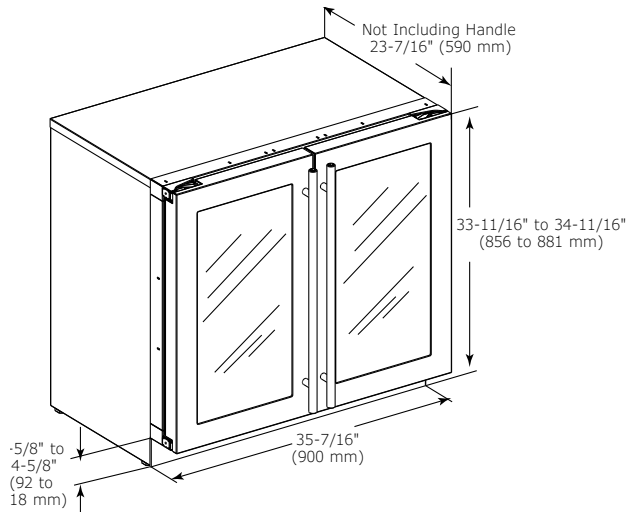
ACCESSORIES

| Model | Description | Finish | Shipping Weight |
|----------------|---|-----------|-----------------|
| ULASHP18FRAME* | Stainless Handleless Panel Frame (single panel) | Stainless | 6 lb |
| ULASHP18SOLID* | Stainless Handleless Panel Solid (single panel) | Stainless | 9 lb |

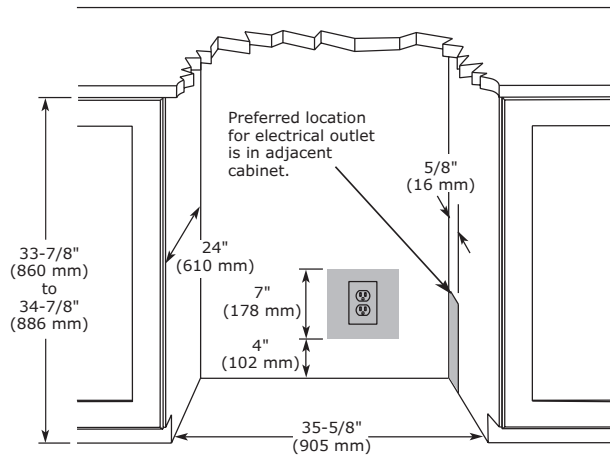
*Installs on integrated models, 2 panels required.

DIMENSIONS

Dimensions shown apply to all finishes, including Integrated (INT) models with 3/4" integrated panel/frame installed.



CABINET CUT-OUT



INSTALLATION NOTES

When installing adjacent to wall, ensure 2 1/2" clearance on hinged side for 90° door opening, allowing ample room for door handle.

No additional clearance around sides, top or rear of unit is needed for ventilation.

Do not obstruct front grille air flow.

WARRANTY

- 1 Year (parts & labor) / 5 year sealed system (parts)
- + **Additional 1 Year (parts & labor) warranty at no cost with product registration**

See complete warranty for details

SPECIFICATIONS

| | |
|-----------------------------------|--|
| Model | 3036BVWC |
| Amps: Running | 1.2 |
| Capacity: Bottle (12 oz) | 79 |
| Capacity: Can (12 oz) | 123 |
| Capacity: Volume (cu ft) | 7.0 |
| Capacity: Wine Bottle (750 ml) | 31 |
| Control Type | U-Select® |
| Dimensions: Product Depth | 23 7/16" / 590 mm |
| Dimensions: Product Height | 33 11/16" / 856 mm |
| Dimensions: Product Width | 35 7/16" / 900 mm |
| Energy Consumption: Avg. Per Year | 320 kWh |
| ENERGY STAR | No |
| Panel Height | 30" / 762 mm |
| Panel Thickness | 3/4" / 20 mm |
| Panel Type | 2 3/4" / 70 mm Frame Panel or Solid Panel (-60 suffix) |
| Panel Width | 17 5/8" / 445 mm |
| Product Weight: Max | 221 lb |
| Refrigerant Type | R600a (1.34 oz) |
| Sabbath (Star K Certified) | Yes |
| Temperature Range (Left) | Left Temp Range: 38°F - 65°F |
| Temperature Range (Right) | Right Temp Range: 34°F - 70°F |

COOLING SYSTEM



ELECTRICAL REQUIREMENTS

This unit requires a grounded, polarized 115 VAC, 60 Hz, 15 A power supply (normal household current).

