

USER GUIDE & SERVICE MANUAL



Model: UACP115-IS01A

USER GUIDE & SERVICE MANUAL

[Click on any section below to jump directly there](#)

Table of Contents

Installation

[Integrated Panel Dimensions](#)

[Integrated Panel Installation](#)

[Grille Installation](#)

WELCOME TO U-LINE

Congratulations on your U-Line purchase! Our products are focused on functionality, style, and inspired innovations — paying close attention to even the smallest details. Applications include residential, outdoor, ADA height compliant, marine, and commercial. Product categories include Beverage Centers, Wine Refrigerators, Ice Machines, Refrigerators, Freezers, and Dispensers. Our advanced refrigeration systems, large and flexible capacities, and clean integrated look are what makes our products Built-In to Stand Out®. Since 2014, U-Line has been part of the Middleby family of brands.

U-Line — RIGHT PRODUCT. RIGHT PLACE. RIGHT TEMPERATURE.®

PRODUCT INFORMATION

Looking for additional information on your product? User Guides, Spec Sheets, CAD Drawings, and Product Warranty information are available digitally on u-line.com.

PROPERTY DAMAGE / INJURY CONCERNS

In the unlikely event property damage or personal injury is suspected related to a U-Line product, please take the following steps:

1. U-Line Customer Care must be contacted immediately at +1.414.354.0300.
2. Service or repairs performed on the unit without prior written approval from U-Line is not permitted. If the unit has been altered or repaired in the field without prior written approval from U-Line, claims will not be eligible.

GENERAL INQUIRIES

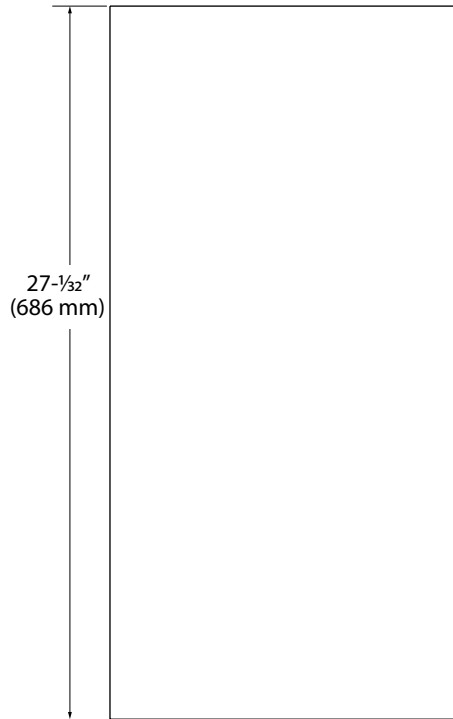
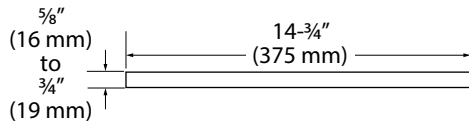
U-Line Corporation
8900 N. 55th Street
Milwaukee, Wisconsin 53223 USA
Monday - Friday 8:00 am to 4:30 pm CST
T: +1.414.354.0300
Email: sales@u-line.com
u-line.com

SERVICE & PARTS ASSISTANCE

Monday - Friday 8:00 am to 4:30 pm CST
T: +1.414.354.0300
Service Email: onlineservice@u-line.com
Parts Email: onlineparts@u-line.com

CONNECT WITH US AT MIDDLEBY REFRIGERATION

Integrated Panel Dimensions



Integrated Door Panel for
15" (381mm) wide unit

NOTE

Panel thickness may be $\frac{5}{8}$ " or $\frac{3}{4}$ ". Center the unit in the 15" opening. If the hinge side of the unit is pressed against the adjacent cabinet, use a $\frac{5}{8}$ " thick panel.

Maximum panel weight is 15 lbs.

Integrated Panel Installation

Cut and prepare panels according to the information provided in the Integrated Panel Dimensions section.

CAUTION

It is important to use the factory provided grille that came with the product to assure proper air flow is maintained through the condenser. The use of a custom grille is not recommended and will void the warranty.

REMOVE DOOR

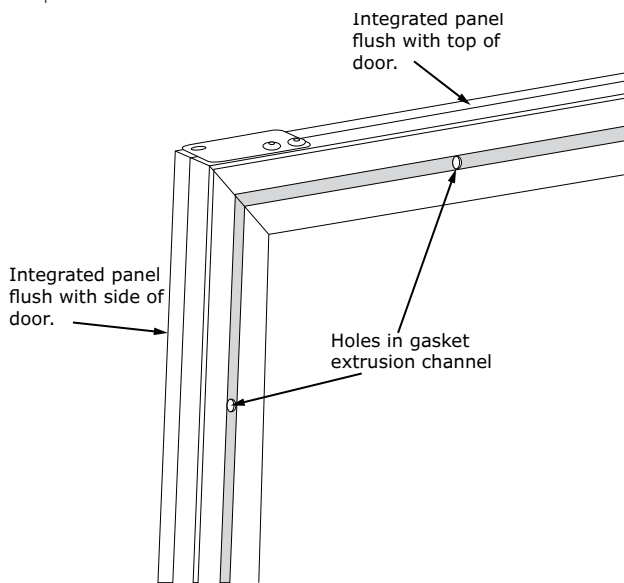
See Door Adjustments section.

ASSEMBLE THE PANEL TO THE DOOR

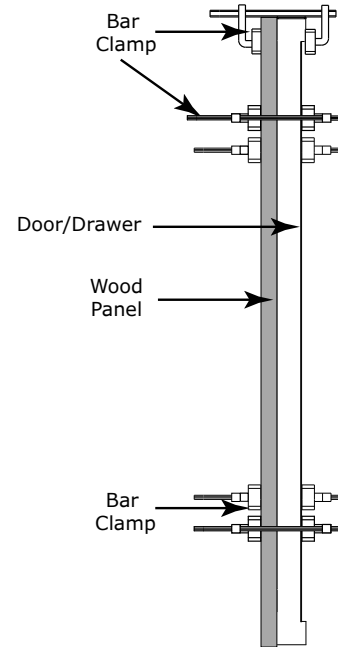
1. With the door laying on a flat surface and starting at the corner of the door, remove the magnetic door gasket from the interior side of the door. Set the gasket aside on a flat surface.



2. Align the panel to the door. Make sure the sides and top are flush.



3. With bar clamps or "C" clamps, secure the panel to the door



4. At each of the 10 holes in the gasket extrusion channel, drill pilot holes into the wood panel. Use the drill size from the chart in the table below being careful not to drill through the front surface of the panel.

| Material Type | #10 Wood Screw |
|---------------|-----------------------------------|
| Hardwood | 1/8" (3.2mm) Diameter Pilot Hole |
| Softwood | 7/64" (2.8mm) Diameter Pilot Hole |

5. Fasten the panel to the door with the 10 screws provided in the literature pack.
6. Remove the clamps and replace the gasket in the gasket extrusion channel. Some force may be required to seat the gasket into the channel. Be sure the gasket corners are seated correctly.

INSTALL THE DOOR

See Door Adjustments section.

Grille Installation

REMOVING AND INSTALLING GRILLE

⚠ WARNING

Disconnect electric power to the unit before removing the grille.

When using the unit, the grille must be installed.

⚠ WARNING

Do NOT touch the condenser fins. The condenser fins are SHARP and can be easily damaged.

Removing the grille

1. Disconnect power to the unit.
2. Remove the two screws.
3. Remove grille from unit.

Installing the grille

1. Align cabinet and grille holes and secure, but do not over tighten grille screws.
2. Reconnect power to the unit.

