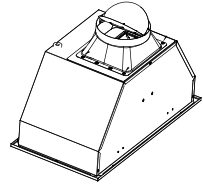


FRIGIDAIRE®



20.5" INSERT RANGE HOOD INSTALLATION

use & care

Introduction.....	2	Operation.....	11
Important Safety Instruction.....	3-5	Maintenance.....	12
Electrical & Installation requirements.....	6	Care and Cleaning.....	13
Before Installation.....	7-8	Trouble shooting.....	14
Installation.....	9-10	Warranty Information.....	15

UCVH2001AS

2

INTRODUCTION

Welcome to our *family*

Thank you for bringing Frigidaire into your home!
We see your purchase as the beginning of a long relationship together.

This manual is your resource for the use and care of your product. Please read it before using your appliance. Keep it handy for quick reference. If something doesn't seem right, the troubleshooting section will help you with common issues.

FAQs, helpful tips and videos, cleaning products, and kitchen and home accessories are available at www.frigidaire.com.

We are here for you! Visit our website, chat with an agent, or call us if you need help. We may be able to help you avoid a service visit. If you do need service, we can get that started for you.

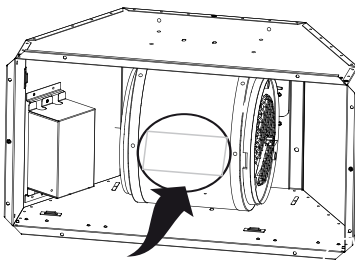
Let's make it official! Be sure to register your product.

Keep your product info here so it's easy to find.

Model Number: _____

Serial Number: _____

Purchase Date: _____



Serial Number Location

Read all instructions before using this appliance.

Save these instructions for future references.

Approved for residential appliances.

For residential use only.

Do not attempt to install or operate your appliance until you have read the safety precautions in this manual.

Safety items throughout this manual are labeled with a **WARNING** or **CAUTION** based on the risk type.

**WARNING**

This symbol alerts you to situations that may cause serious body harm, death or property damage.

**CAUTION**

This symbol alerts you to situations that may cause bodily injury or property damage.

PLEASE READ ENTIRE INSTRUCTIONS BEFORE PROCEEDING.

INSTALLATION MUST COMPLY WITH ALL LOCAL CODES.

IMPORTANT: Save these Instructions for the Local Electrical Inspector's use.

INSTALLER: Please leave these Instructions with this unit for the owner.

OWNER: Please retain these instructions for future reference.

Safety Warning: Turn off power circuit at service panel and lock out panel, before wiring this appliance.

Requirement: 120 V AC, 60 Hz. 15 or 20 A Branch Circuit.

4

IMPORTANT SAFETY INSTRUCTIONS

READ AND SAVE THESE INSTRUCTIONS



CAUTION

FOR GENERAL VENTILATING USE ONLY. DO NOT USE TO EXHAUST HAZARDOUS OR EXPLOSIVE MATERIALS OR VAPORS.



WARNING

TO REDUCE THE RISK OF FIRE, ELECTRIC SHOCK, OR INJURY TO PERSONS, OBSERVE THE FOLLOWING:

- A. Use this unit only in the manner intended by the manufacturer. If you have questions, contact the manufacturer
- B. Before servicing or cleaning the unit, switch power off at service panel and lock service panel disconnecting means to prevent power from being switched on accidentally. When the service disconnecting means can not be locked, securely fasten a prominent warning device, such as a tag, to the service panel.
- C. Installation Work and Electrical Wiring Must Be Done By Qualified Person(s) In Accordance With all Applicable Codes & Standards, Including Fire-rated Construction.
- D. Sufficient air is needed for proper combustion and exhausting of gases through the flue (Chimney) of fuelburning equipment to prevent back-drafting. Follow the heating equipment manufacturers guideline and safety standards such as those published by the National Fire Protection Association (NFPA), the American Society for Heating, Refrigeration and Air Conditioning Engineers (ASHRAE), and the local code authorities.

- E. When cutting or drilling into wall or ceiling, do not damage electrical wiring and other hidden utilities.
- F. Ducted systems must always be vented to the outdoors.



CAUTION

To reduce risk of fire and to properly exhaust air, be sure to duct air outside - do not vent exhaust air into spaces within walls, ceilings, attics, crawl spaces, or garages.



WARNING

TO REDUCE THE RISK OF FIRE, USE ONLY METAL DUCT WORK.
Install this hood in accordance with all requirements specified.



WARNING

To Reduce The Risk Of Fire Or Electric Shock, Do Not Use This Hood With Any External Solid State Speed Control Device.



CAUTION

Risk Of Injury Disconnect From Power Supply Before Servicing.
This unit is equipped with integral disconnecting switch located inside the blower housing.



WARNING

To Reduce The Risk Of Fire And Electric Shock, Install This Rangehood Only With Integral Blowers Manufactured by Chinabest Home Appliance Co., Ltd, Model YDC70-4A-1.



WARNING

Do not use an extension cord. If the power supply cord is too short, have a qualified electrician install an outlet near the appliance.



WARNING

TO REDUCE THE RISK OF A RANGE TOP GREASE FIRE.

- a. Never leave surface units unattended at high settings. Boilovers cause smoking and greasy spillovers that may ignite. Heat oils slowly on low or medium settings.
- b. Always turn hood ON when cooking at high heat or when flambeing food (i.e. Crepes Suzette, Cherries Jubilee, Peppercorn Beef Flambe’).
- c. Clean ventilating fans frequently. Grease should not be allowed to accumulate on fan or filter.
- d. Use proper pan size. Always use cookware appropriate for the size of the surface element.



WARNING

TO REDUCE THE RISK OF INJURY TO PERSONS, IN THE EVENT OF A RANGE TOP GREASE FIRE, OBSERVE THE FOLLOWING:

- a. **SMOTHER FLAMES** with a close - fitting lid, cookie sheet, or other metal tray, then turn off the gas burner or the electric element. **BE CAREFUL TO PREVENT BURNS.**
If the flames do not go out immediately, **EVACUATE AND CALL THE FIRE DEPARTMENT.**
- b. **NEVER PICK UP A FLAMING PAN** - you may be burned.
- c. **DO NOT USE WATER**, including wet dishcloths or towels - a violent steam explosion will result.

- d. Use an extinguisher **ONLY** if:
 - 1). You know you have a class ABC extinguisher, and you already know how to operate it.
 - 2). The fire is small and contained in the area where it started.
 - 3). The fire department is being called.
 - 4). You can fight the fire with your back to an exit.

OPERATION

Always leave safety filters in place.

Without these component, operating blowers could catch onto hair, fingers and loose clothing.

The manufacturer declines all responsibility in the event of failure to observe the instructions given here for installation, maintenance and suitable use of the product.

The manufacturer further declines all responsibility for injury due to negligence and the warranty of the unit automatically expires due to improper maintenance.



WARNING

Improper grounding can result in a risk of electric shock. Consult a qualified electrician if the grounding instructions are not completely understood, or if doubt exists as to whether the appliance is properly grounded.



WARNING

GROUNDING INSTRUCTIONS This appliance must be grounded. In the event of an electrical short circuit, grounding reduces the risk of electric shock by providing an escape wire for the electric current. This appliance is equipped with a cord having a grounding wire with a grounding plug. The plug must be plugged into an outlet that is properly installed and grounded.

6

Electrical & Installation requirements

READ AND SAVE THESE INSTRUCTIONS

IMPORTANT

Observe all governing codes and ordinances.

It is the customer's responsibility:

To contact a qualified electrical installer.

To assure that the electrical installation is adequate and in conformance with National Electrical Code, ANSI/NFPA 70 — latest edition*, or CSA Standards

C22.1-94, Canadian Electrical Code, Part 1 and

C22.2 No.0-M91 - latest edition** and all local codes and ordinances.

If codes permit and a separate ground wire is used, it is recommended that a qualified electrician determine that the ground path is adequate.

Do not ground to a gas pipe.

Check with a qualified electrician if you are not sure range hood is properly grounded.

Do not have a fuse in the neutral or ground circuit.

IMPORTANT

Save Installation Instructions for electrical inspector's use.

The range hood must be connected with copper wire only.

The range hood should be connected directly to the fused disconnect (Or circuit breaker) box through metal electrical conduit.

Wire sizes must conform to the requirements of the National Electrical Code ANSI/NFPA 70 — latest edition*, or CSA Standards C22.1-94, Canadian Electrical Code Part 1 and C22.2 No. 0-M91 - latest edition** and all local codes and ordinances.

A U.L.- or C.S.A.-listed conduit connector must be provided at each end of the power supply conduit (at the range hood and at the junction box).

Copies of the standards listed may be obtained from:

* National Fire Protection Association
Batterymarch Park Quincy, Massachusetts
02269

* CSA International 8501 East
Pleasant Valley Road Cleveland, Ohio
44131-5575

Before installing the hood

1. For the most efficient air flow exhaust, use a straight run or as few elbows as possible.



CAUTION

Vent unit to outside of building and recirculating.

2. At least two people are necessary for installation.

3. The hood is fitted with Screws and Drywall Anchors suitable for most surfaces, consult a Qualified Installer, check if they perfectly fit with your cabinet/wall.

4. Do not use flex ducting.

5. COLD WEATHER installations should have an additional backdraft damper that is already installed to minimize backward cold air flow and a nonmetallic thermal break to minimize conduction of outside temperatures as part of the ductwork. The damper should be on the cold air side of the thermal break. The break should be as close as possible to where the ducting enters the heated portion of the house.

6. Make up air: Local building codes may require the use of Make-Up Air Systems when using Ducted Ventilation Systems greater than specified CFM of air movement.

The specified CFM varies from locale to locale.

Consult your HVAC professional for specific requirements in your area.

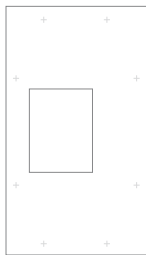
List of Materials

Parts included in your hood

- Hood structure assembly with blower
- Lamps already installed
- Damper
- Grease filter
- Charcoal filter
- Hardware bag with:
 - Template
 - Use, care and installation guide
 - Assembly screws



Use, care and installation guide*1



Template*1



Screw(ST3.5×25)*8



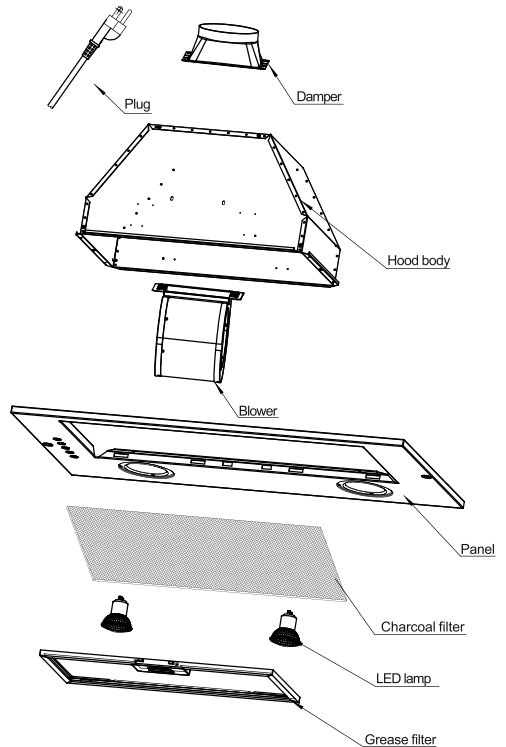
Screw(M4×10)*2 (Backup screws)

Replacement/Service Parts

- Replacement charcoal filter
- Replacement grease filter
- Liner
- Lamp

Tools/Materials required

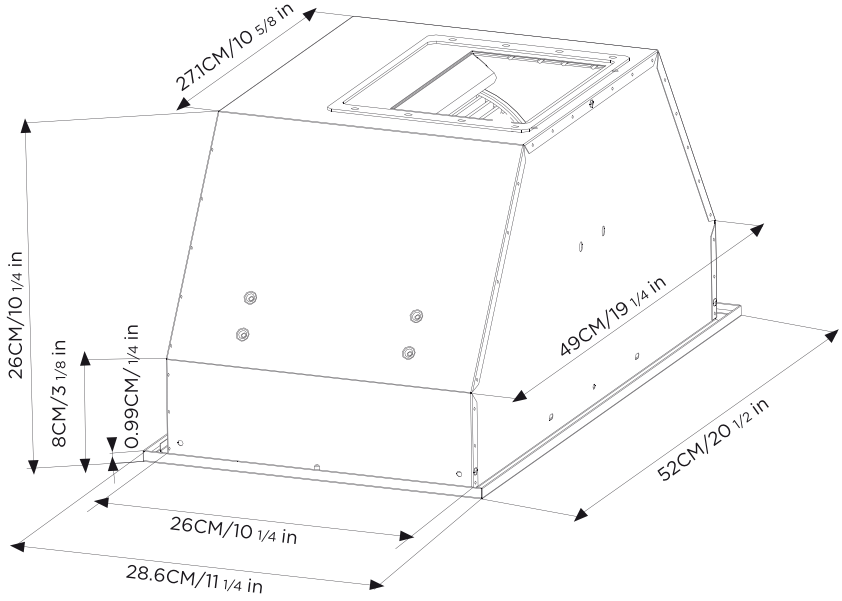
- 6"rounded metal duct (length to suit installation)
- Duct tape
- Measuring tape
- Level
- Utility knife
- Pencil
- Adjustable wrench
- Phillips screwdriver
- Hammer
- Safety gloves
- Flathead screwdriver
- Electric drill
- Needle nose pliers
- Safety goggles



8

Before Installation

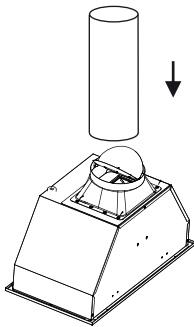
Dimension



1.Duct Installation

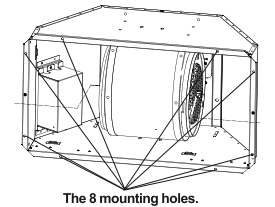
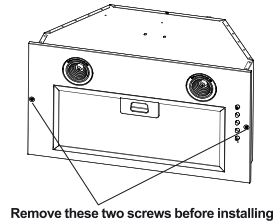
- Use an outlet exhaust duct with:
- Minimum indispensable length;
 - Minimum possible bends(maximum angle of bend: 90°)
 - Certified material(according to the state).

It is also advisable to avoid any drastic changes in duct cross-section (recommended diameter: 155mm/6 inch)

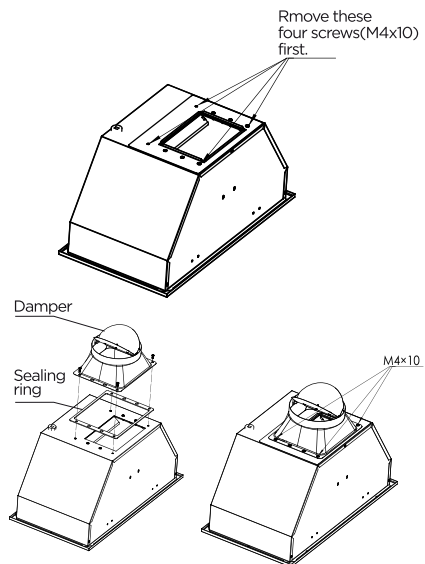


2.Mounting the hood

- 2.1 Prior to installing range hood, cut a $\varnothing 165\text{mm}$ / 6.5 inch hole for the exhaust duct to exit the installation location.
- 2.2 Prior to installing range hood, confirm the location of the power outlet to determine if any additional holes are needed for proper routing of power cord.
- 2.3 Prior to installing range hood, remove the face by removing the two screws on the left and right sides and disconnect the power connections at the two visible connectors. Then, remove the damper stored inside the range hood for shipping. Locate the included hardware kit also stored inside the range hood for shipping.

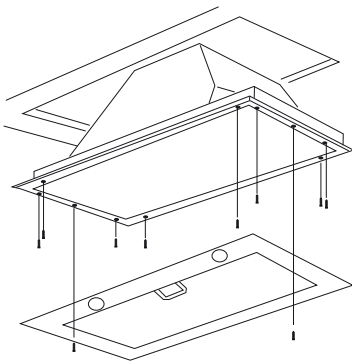


- 2.4 Prior to installing range hood, to remove these four screws(M4×10) shown on below picture first. Then to assemble the damper and sealing ring to the rear of the hood as shown using the four screws (M4×10) removed from the hood body.



10 Installation

- 2.5 Using the included mounting template, drill 8 mounting holes (1mm/#60 size drill bit) in the installation location. Install range hood into installation location and secure with 8 screws (ST3.5×25) supplied in the installation hardware kit. Reconnect the power connections and reinstall the face of the unit.



- 2.6 Make the electrical connection.

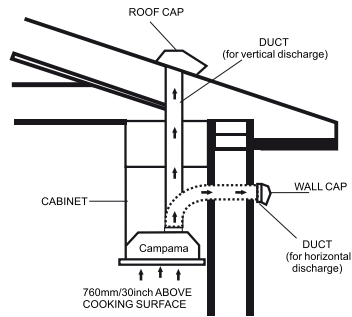
Notice:

- Exhaust air must not be discharged into a flue that is used for exhausting fumes from an appliance burning gas or other fuels.
- For installation over a gas cooking appliance, refer to the gas appliance Installation instructions or minimum recommended mounting distance.
 - The exhaust duct should be metal and solid.

3.Connections Ducted Mode

! CAUTION

To reduce the risk of fire, metal ductwork is preferred. (Metal duct should be sourced locally.)



- 3.1 Decide where the ductwork will run between the hood and the outside.
- 3.2 A straight, short duct run will allow the hood to perform most efficiently.
- 3.3 Long duct runs, elbows, and transitions will reduce the performance of the hood. Use as few of them as possible. Larger ducting may be required for best performance with longer duct runs.
- 3.4 It is recommended that \varnothing 155mm /6 inch solid round duct is to be used.
- 3.5 Install a roof/wall cap. Connect round duct work to cap and work back towards hood location. Use duct tape to seal the joints between duct work sections.

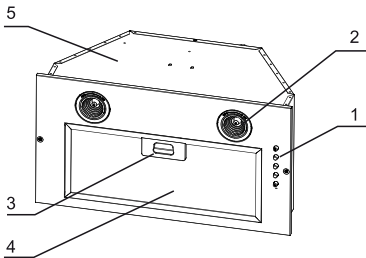
Electrical Connection

! WARNING

- Electrical wiring must be done by a qualified person(s) in accordance with all applicable codes and standards. Turn off electrical power at service entrance before wiring.
- If the supply cord is damaged, it must be replaced by the manufacturer, its service agent or similarly qualified persons in order to avoid a hazard.
- Do not use the plug and an extension cord other than the ones initially supplied with the hood.
- The ground connection of this hood is compulsory. Do not remove ground prong of the plug.

1. Specification

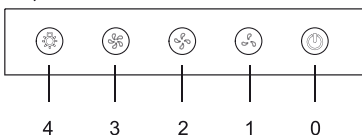
- 1) Blower and light controls
- 2) Lamps
- 3) Grease Filter Handle
- 4) Grease Filter
- 5) Hood body



2. Operation of Controls

Settings:

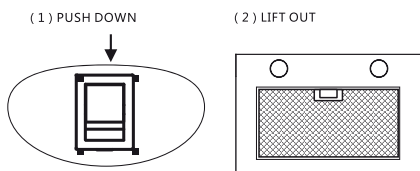
- 0) OFF
- 1) LOW SPEED
- 2) MEDIUM SPEED
- 3) HIGH SPEED
- 4) LIGHT



12 Maintenance

Grease Filter

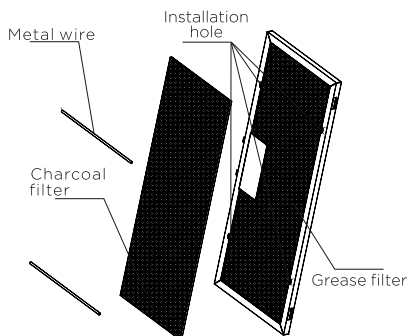
- The grease filter should be cleaned frequently (every two months of operation, or more frequently for heavy use.)
- Grease filter is dishwasher safe.



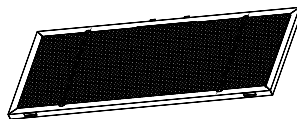
- 1) Remove the grease filter by pushing down the latch. This will disengage the filter from the hood. Tilt the filter lift out and remove.
- 2) Wash the filters, taking care not to bend them. Allow them to dry before replacing.
- 3) When replacing the filter, make sure that the latch is visible from the outside.

Charcoal filter

- Put the charcoal filter on the back of the grease filter.
- Use the two metal wires as shown below to insert to the installation hole on the grease filter to fix it.



Grease filter after installed with charcoal filter.



Lighting

! WARNING

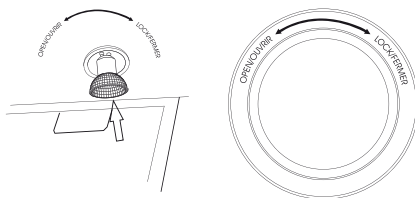
Always switch off the electrical supply before carrying out any operation on the appliance.

! CAUTION

The surface of the LED lamps may be hot. Take care when doing the replacement. This range hood requires two LED lamps.

To change:

- 1) Switch off power and wait for 5 minutes until the bulbs cool down.
- 2) Wear gloves and remove the bulb by twisting in the direction indicated.



**WARNING**

Failure to maintain basic standards of care and cleaning of the range hood will increase the risk of fire.

The range hood should be cleaned regularly internally and externally to preserve its appearance and performance.

DO

- Clean the range hood periodically with hot, soapy water and a clean cotton cloth.
- Always clean in the same direction as the grain.
- Always rinse well with clean water two or three times after cleaning. Wipe completely dry with a soft, non-abrasive cloth.
- After cleaning, you may polish with a non-abrasive stainless steel polish or cleaner. Always rub lightly and with the grain.
- Ensure that the venting system is free of debris, if you have one.

DO NOT

- Do not use corrosive or abrasive detergents, or any products containing chloride, fluoride, iodide, or bromide on this product, as they will deteriorate the surface rapidly.
- Do not allow cleaning compounds, salt solutions, disinfectants, or bleaches to remain in contact with the product for extended periods of time.
- Do not allow deposits to remain for long periods of time on the range hood. Rinse with water immediately and wipe dry with a clean cloth.
- Do not leave the range hood dirty for long periods of time or allow dirt to accumulate.
- Do not let plaster dust or any other construction residue enter the hood. During construction or renovation, cover the hood.
- Combustible products used for cleaning, such as acetone, alcohol, ether, or benzyl, are highly explosive and should never be used close to a range or stove.

14 Troubleshooting

WARNING

Turn off the power circuit breaker or the power switch on the junction box before installing or servicing this unit, Touching circuitry inside the range hood while it is energized will result in death or serious injury.

Problem	Solution
The range hood will not operate.	<ul style="list-style-type: none"> ▪ Check that the power supply cable and all electrical wiring are properly connected. ▪ Check that the power is turned on at the junction box or circuit breaker. ▪ Check that the wiring between the switch board and the control board are connected properly.
The range hood vibrates when the fan is opening.	<ul style="list-style-type: none"> ▪ Check that the range hood has been secured properly to the wall or cabinet. Tighten it into position, if necessary. ▪ Check that the motor is secured in place, if not, then tighten the motor in place. ▪ Check that whether the fan is damaged. If yes, replace the fan.
The fan seem weak.	<ul style="list-style-type: none"> ▪ Check that the duct size used is at least 152mm/6inch. The range hood will not function efficiently with insufficient duct size. ▪ Check that the duct is not clogged with debris and the tight mesh on the wall cap, if applicable, isn't restricting air flow. ▪ Check that the damper unit is opening properly, if applicable.
The lights work, but the fan is not spinning, is stuck, or is rattling.	<ul style="list-style-type: none"> ▪ Check that the fan isn't jammed or scraping the bottom. ▪ If nothing else works, the motor may be defective or seized. If so, replace the motor.
The range hood is not venting properly.	<ul style="list-style-type: none"> ▪ Check that the distance between the cook top and the bottom of the range hood is 760mm/30inch. ▪ Check that duct work follows all requirements. Use metal duct work with a uniform diameter 155mm/6.1inch. Reduce the length of duct work and the number of elbows if necessary. Ensure that all joints are properly connected sealed and taped. ▪ Check that the duct does not open against the wind. ▪ Ensure that the power is on high speed for heavy cooking. ▪ Wind from opened windows or doors may affect the performance of the range hood. ▪ Close windows and doors to eliminate outside air flow.
A light does not work.	<ul style="list-style-type: none"> ▪ Check the light bulb to see if it is loose. If so, tighten. ▪ Remove the problem bulb and insert one you know is working. If the properly functioning light does not come on, the problem may be light assembly. ▪ Have the light assembly serviced or replaced.

Your appliance is covered by a one year limited warranty. For one year from your original date of purchase, Electrolux will pay all costs for repairing or replacing any parts of this appliance that prove to be defective in materials or workmanship when such appliance is installed, used and maintained in accordance with the provided instructions.

Exclusions

This warranty does not cover the following:

1. Products with original serial numbers that have been removed, altered or cannot be readily determined.
2. Product that has been transferred from its original owner to another party or removed outside the USA or Canada.
3. Rust on the interior or exterior of the unit.
4. Products purchased "as-is" are not covered by this warranty.
5. Food loss due to any refrigerator or freezer failures.
6. Products used in a commercial setting.
7. Service calls which do not involve malfunction or defects in materials or workmanship, or for appliances not in ordinary household use or used other than in accordance with the provided instructions.
8. Service calls to correct the installation of your appliance or to instruct you how to use your appliance.
9. Expenses for making the appliance accessible for servicing, such as removal of trim, cupboards, shelves, etc., which are not a part of the appliance when it is shipped from the factory.
10. Service calls to repair or replace appliance light bulbs, air filters, water filters, other consumables, or knobs, handles, or other cosmetic parts.
11. Surcharges including, but not limited to, any after hour, weekend, or holiday service calls, tolls, ferry trip charges, or mileage expense for service calls to remote areas, including the state of Alaska.
12. Damages to the finish of appliance or home incurred during installation, including but not limited to floors, cabinets, walls, etc.
13. Damages caused by: services performed by unauthorized service companies; use of parts other than genuine Electrolux parts or parts obtained from persons other than authorized service companies; or external causes such as abuse, misuse, inadequate power supply, accidents, fires, or acts of God.

DISCLAIMER OF IMPLIED WARRANTIES; LIMITATION OF REMEDIES

CUSTOMER'S SOLE AND EXCLUSIVE REMEDY UNDER THIS LIMITED WARRANTY SHALL BE PRODUCT REPAIR OR REPLACEMENT AS PROVIDED HEREIN. CLAIMS BASED ON IMPLIED WARRANTIES, INCLUDING WARRANTIES OF MERCHANTABILITY OR FITNESS FOR A PARTICULAR PURPOSE, ARE LIMITED TO ONE YEAR OR THE SHORTEST PERIOD ALLOWED BY LAW, BUT NOT LESS THAN ONE YEAR. ELECTROLUX SHALL NOT BE LIABLE FOR CONSEQUENTIAL OR INCIDENTAL DAMAGES SUCH AS PROPERTY DAMAGE AND INCIDENTAL EXPENSES RESULTING FROM ANY BREACH OF THIS WRITTEN LIMITED WARRANTY OR ANY IMPLIED WARRANTY. SOME STATES AND PROVINCES DO NOT ALLOW THE EXCLUSION OR LIMITATION OF INCIDENTAL OR CONSEQUENTIAL DAMAGES, OR LIMITATIONS ON THE DURATION OF IMPLIED WARRANTIES, SO THESE LIMITATIONS OR EXCLUSIONS MAY NOT APPLY TO YOU. THIS WRITTEN WARRANTY GIVES YOU SPECIFIC LEGAL RIGHTS. YOU MAY ALSO HAVE OTHER RIGHTS THAT VARY FROM STATE TO STATE.

If You Need Service

Keep your receipt, delivery slip, or some other appropriate payment record to establish the warranty period should service be required. If service is performed, it is in your best interest to obtain and keep all receipts. Service under this warranty must be obtained by contacting Electrolux at the addresses or phone numbers below.

This warranty only applies in the USA and Canada. In the USA, your appliance is warranted by Electrolux Major Appliances North America, a division of Electrolux Home Products, Inc. In Canada, your appliance is warranted by Electrolux Canada Corp. Electrolux authorizes no person to change or add to any obligations under this warranty. Obligations for service and parts under this warranty must be performed by Electrolux or an authorized service company. Product features or specifications as described or illustrated are subject to change without notice.

USA
1-800-374-4432
 Frigidaire
 10200 David Taylor Drive
 Charlotte, NC 28262



Canada
1.800.265.8352
 Electrolux Canada Corp.
 5855 Terry Fox Way
 Mississauga, Ontario, Canada
 L5V 3E4

FRIGIDAIRE®

welcome *home*

Our home is your home. Visit us if you need help with any of these things:



owner support



accessories



service



registration

(See your registration card for more information.)

Frigidaire.com
1-800-374-4432

Frigidaire.ca
1-800-265-8352