



Stainless Solid



Stainless Frame

Key Features

- Convection cooling system provides a quick cool down and consistent temperature
- Extended lower interior maximizes storage options
- Digital touch pad control with blue LED display
- Stainless steel grille, and full-wrap door
- Volume of 5.4 cu ft holds up to 117 bottles (12 oz) or 194 cans (12 oz) and 6 wine bottles (750 ml)
- Temperature range: 34°F - 60°F
- Bright white LED lighting
- Black interior
- Three adjustable tempered glass shelves
- Stainless steel handle (7/8" diameter)
- Field reversible door is shipped right-hand hinged
- Built-in or freestanding
- Four adjustable leveling legs

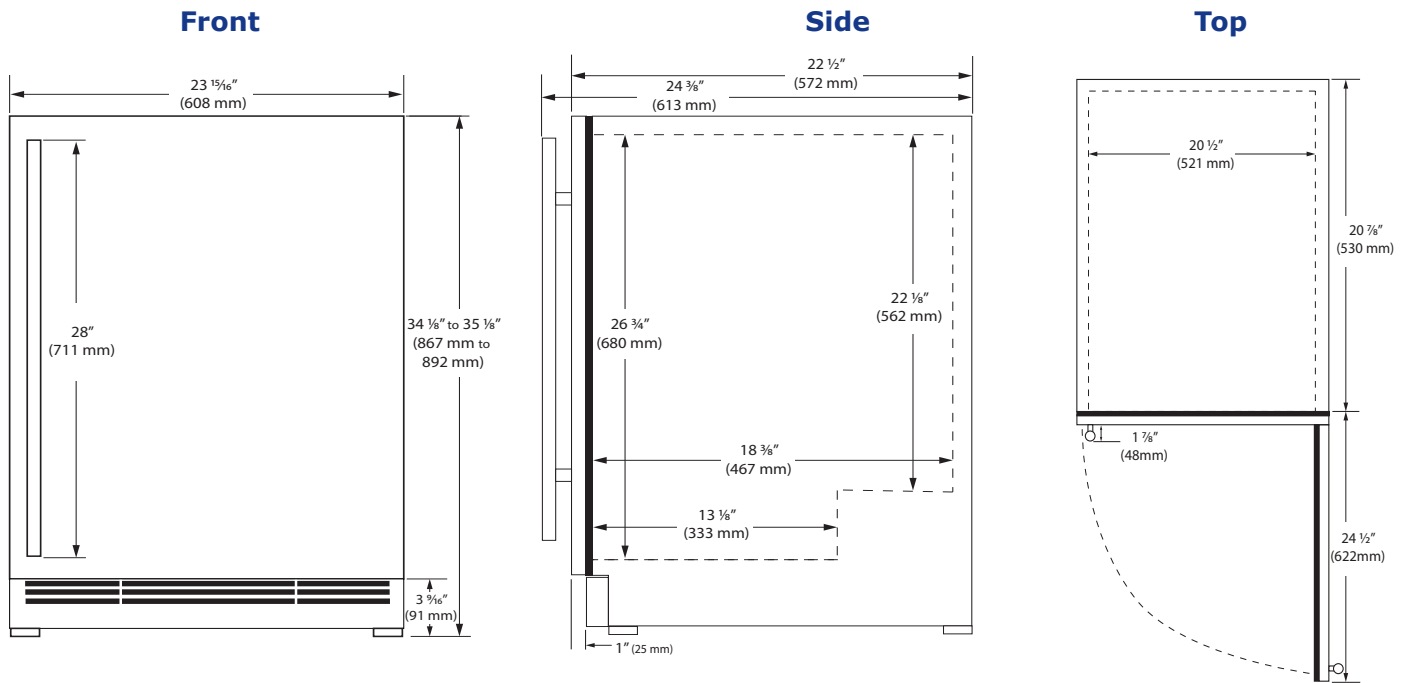
Model Details

Model	Voltage/Hz	Door Swing	Finish	Shipping Weight
UHBV024-SG01A	115 / 60	Field Reversible	Stainless Frame	124 lb
UHBV024-SS01A	115 / 60	Field Reversible	Stainless Solid	110 lb

Accessories

Model	Description	Finish	Shipping Weight
ULAFREESTANDB	Freestanding Kit	Black	3 lb

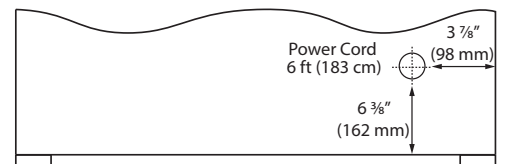
HBV024 • 24" Beverage Center • 1 Class



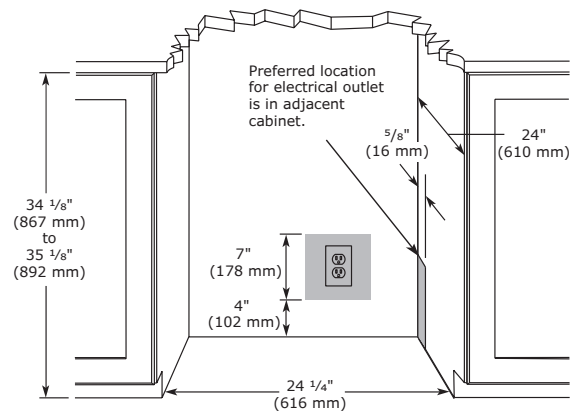
Specifications

Model	HBV024
Amps: Running	1.2
Capacity: Volume (cu ft)	5.7
Capacity: Wine Bottle (750 ml)	6
Dimensions: Product Depth	22 1/2" / 572 mm
Dimensions: Product Height	34 1/8" / 867 mm
Dimensions: Product Width	23 15/16" / 608 mm
Energy Consumption: Avg. Per Year	310 kWh
ENERGY STAR (Glass)	No
ENERGY STAR (solid)	Tier 3
Product Weight: Max	124 lb
Refrigerant Type:	R600a (1.34 oz)
Sabbath (Star K Certified)	Yes
Temperature Range	34°F - 60°F

Back



Cabinet Cut-Out



Warranty

- 1 Year (parts & labor) / 5 year sealed system (parts)
- + **Additional 1 Year (parts & labor) warranty at no cost with product registration**

See complete warranty for details



Installation Notes

- No additional clearance is needed for ventilation
- Do not obstruct front grille air flow

