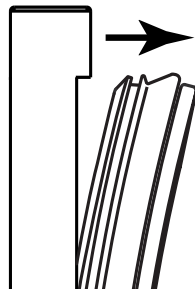


INSTALLATION

Accessory #	Description
ULASHP15SOLID	15" (38cm) Solid Door 14.872" x 29.90" x .751"
ULASHP15FRAME	15" (38cm) Frame Door 14.872" x 29.90" x .751"
ULASHP18SOLID	18" (45cm) Solid Door 17.464" x 29.90" x .751"
ULASHP18FRAME	18" (45cm) Frame Door 17.464" x 29.90" x .751"
ULASHP24SOLID	24" (60cm) Solid Door 23.364" x 29.90" x .751"
ULASHP24FRAME	24" (60cm) Frame Door 23.364" x 29.90" x .751"
ULASHP24DWR	24" (60cm) Drawer (2 Panels) 23.364" x 14.858" x .751"

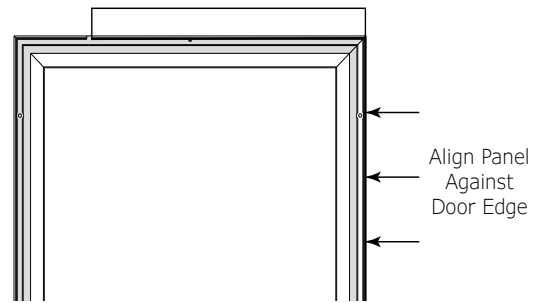


1. Open door/drawer completely.
2. Starting at corner, pull gasket away from door/drawer and remove.
3. Upon removal, lay gasket down on a flat surface.

Certain frame panels include a pre-installed black insert. Remove the protective foil on the top and bottom sides if applicable.

4. Align the pilot holes by placing the panel on the top corner edge of the door/drawer.

Align top of panel with highest point of door/drawer



5. Have a second person hold the panel in place or secure with a clamp.
6. Locate the 6 #8-321-1/4 (32 mm) screws provided with your panel. (Drawer panels use only 4 screws per panel)
7. Using a #2 Phillips screwdriver, place 1 screw in each of the 6 pilot holes and secure. Do not over-tighten.
8. Reinstall gasket beginning at the corners.

